



US00D654310S

(12) **United States Design Patent**  
**Benold**

(10) **Patent No.:** **US D654,310 S**  
(45) **Date of Patent:** **\*\* Feb. 21, 2012**

(54) **HANDLE FOR AN OVEN DOOR**  
(75) **Inventor:** **Frank Benold, Porcia (IT)**  
(73) **Assignee:** **Electrolux Home Products Corporation N.V. (BE)**  
(\*\*) **Term:** **14 Years**  
(21) **Appl. No.:** **29/367,962**  
(22) **Filed:** **Aug. 16, 2010**

(30) **Foreign Application Priority Data**

Feb. 15, 2010 (EM) ..... 001670019

(51) **LOC (9) Cl.** ..... **07-02**  
(52) **U.S. Cl.** ..... **D7/402**  
(58) **Field of Classification Search** ..... D7/350.1-350.4,  
D7/351, 402; 219/756-758, 391, 393, 395,  
219/401; 126/19 M, 275 E; 99/348, 353,  
99/367, 468  
See application file for complete search history.

(56) **References Cited**

**U.S. PATENT DOCUMENTS**

D116,604 S 9/1939 Hefferan  
D119,283 S 3/1940 Rettich  
D511,955 S 11/2005 Baldwin et al.  
D532,645 S \* 11/2006 Lee ..... D7/351  
D537,849 S 3/2007 Wong et al.  
D542,090 S \* 5/2007 Kim ..... D7/402  
D543,781 S 6/2007 Martin et al.  
D546,623 S \* 7/2007 Kim ..... D7/402  
D552,959 S 10/2007 Gilboe  
D556,794 S 12/2007 Vaughn et al.

D562,360 S 2/2008 Choi  
D562,361 S 2/2008 Kwak  
D564,729 S \* 3/2008 Fisher ..... D7/402  
D568,100 S \* 5/2008 Jeon ..... D7/402  
D570,646 S \* 6/2008 Jeon ..... D7/402  
D579,310 S 10/2008 Suh et al.  
D587,067 S \* 2/2009 Kim ..... D7/402  
D593,139 S 5/2009 Cline et al.  
D593,799 S 6/2009 Cruver, IV et al.  
D600,529 S 9/2009 Nicholson  
D610,595 S 2/2010 Baker et al.  
D612,206 S 3/2010 Baker et al.  
D612,207 S 3/2010 Baker et al.  
D612,210 S 3/2010 Baker et al.  
D612,677 S \* 3/2010 Jeon ..... D7/402  
D612,682 S 3/2010 Baker et al.  
D612,683 S 3/2010 Baker et al.  
D612,685 S 3/2010 Baker et al.

\* cited by examiner

*Primary Examiner* — Ruth McInroy

(74) *Attorney, Agent, or Firm* — Banner & Witcoff, Ltd.

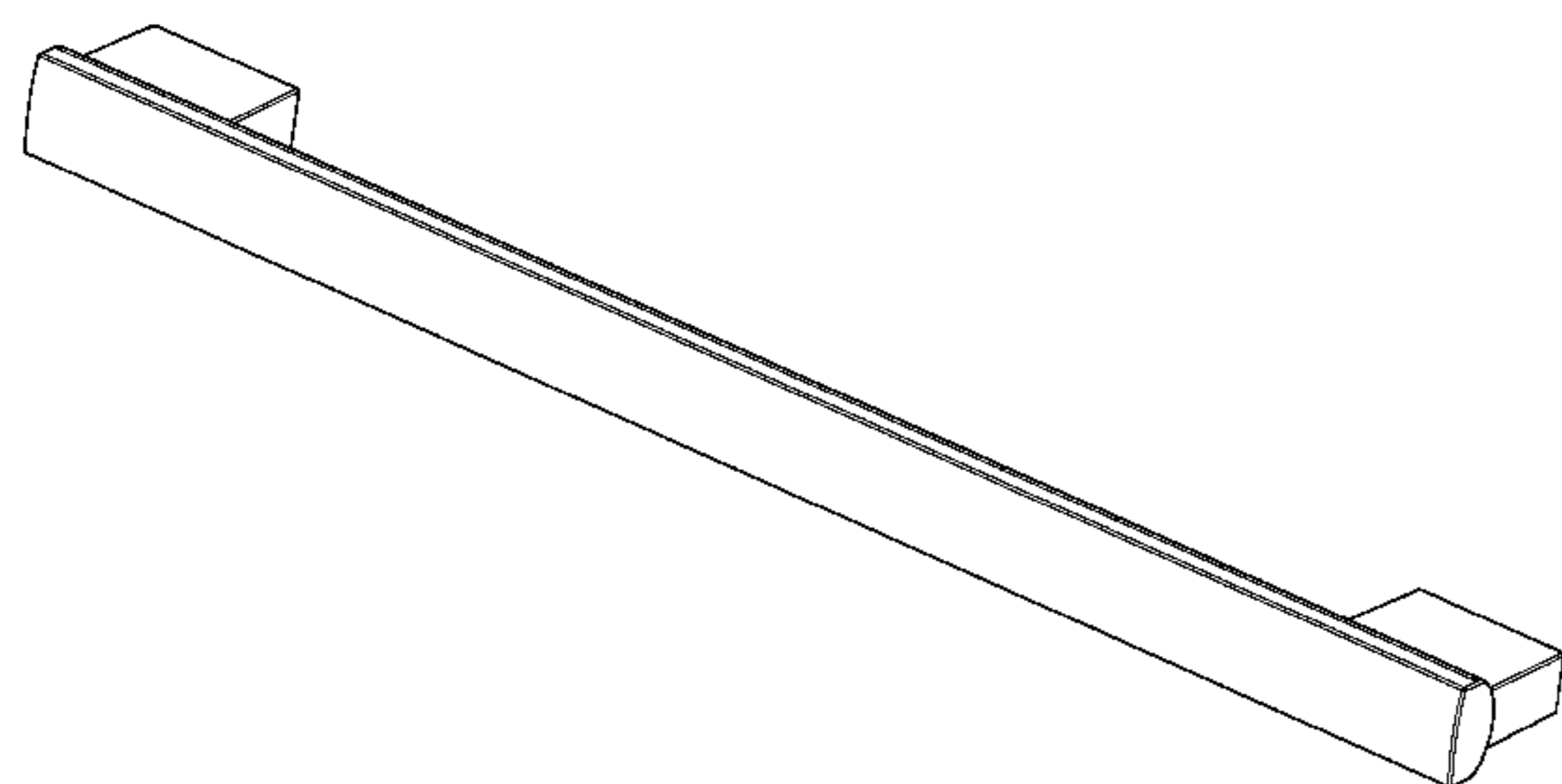
(57) **CLAIM**

The ornamental design for a handle for an oven door, as shown and described.

**DESCRIPTION**

FIG. 1 is a perspective view of a handle for an oven door showing my new design;  
FIG. 2 is a front view thereof;  
FIG. 3 is a right side view thereof;  
FIG. 4 is a left side view thereof;  
FIG. 5 is a top view thereof; and,  
FIG. 6 is a bottom view thereof.

**1 Claim, 3 Drawing Sheets**



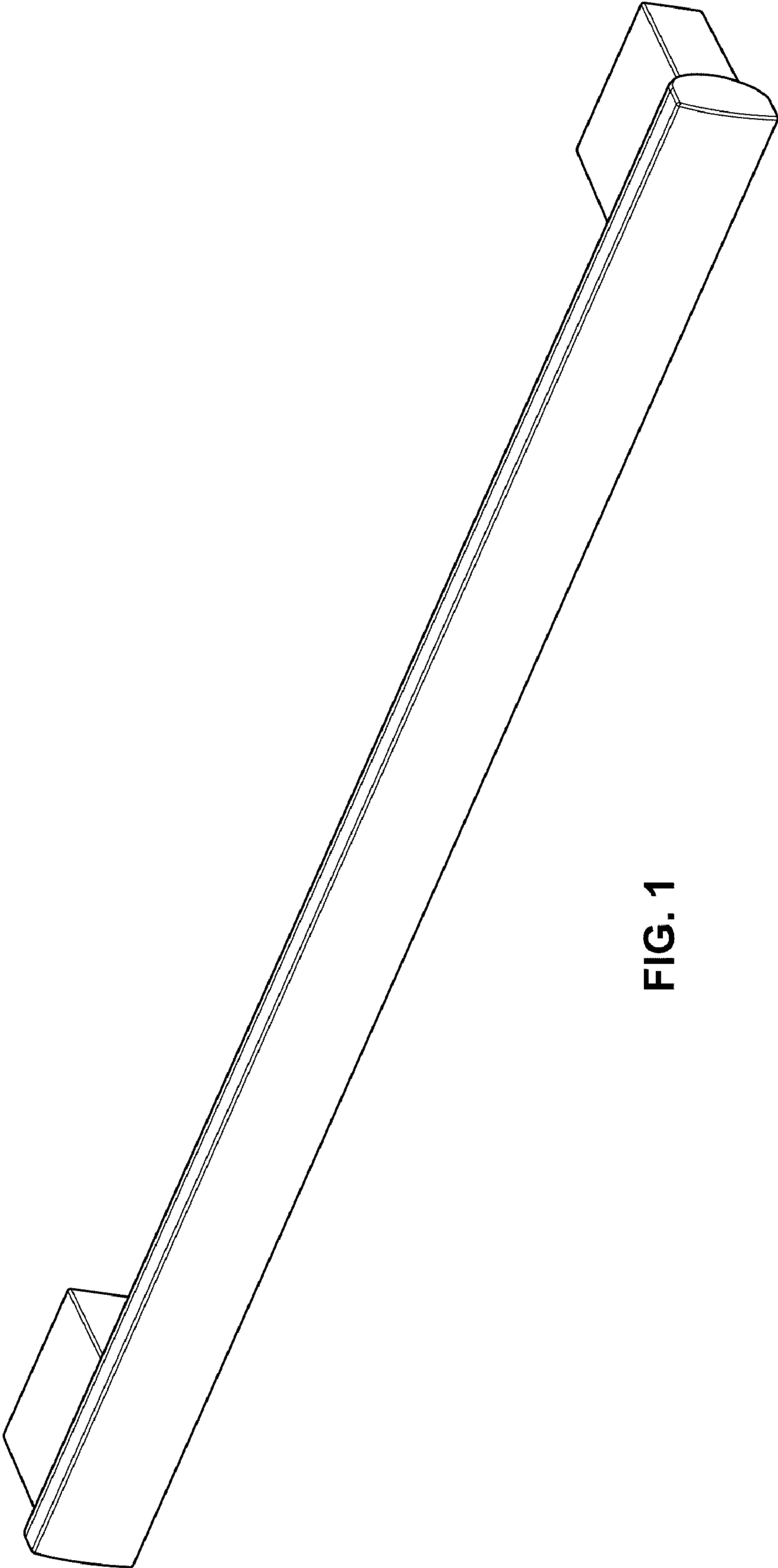


FIG. 1

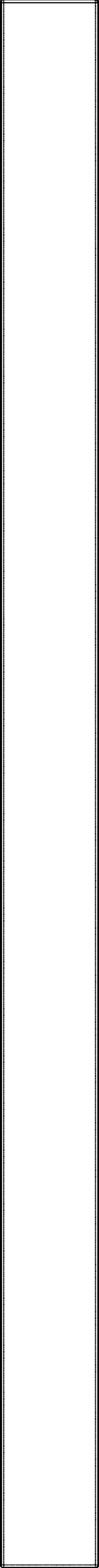


FIG. 2

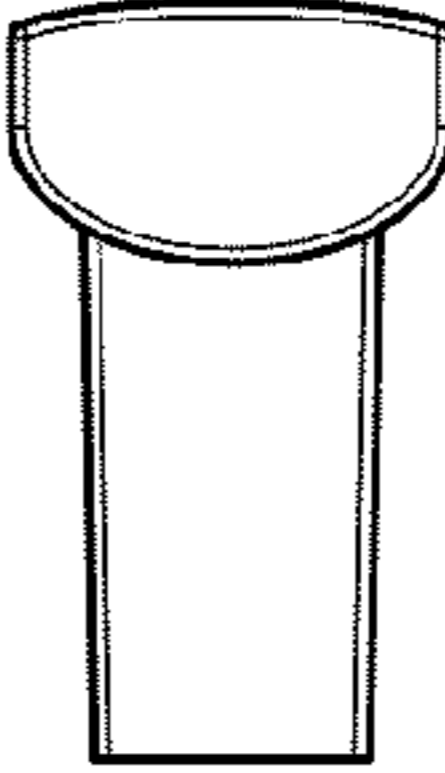


FIG. 4

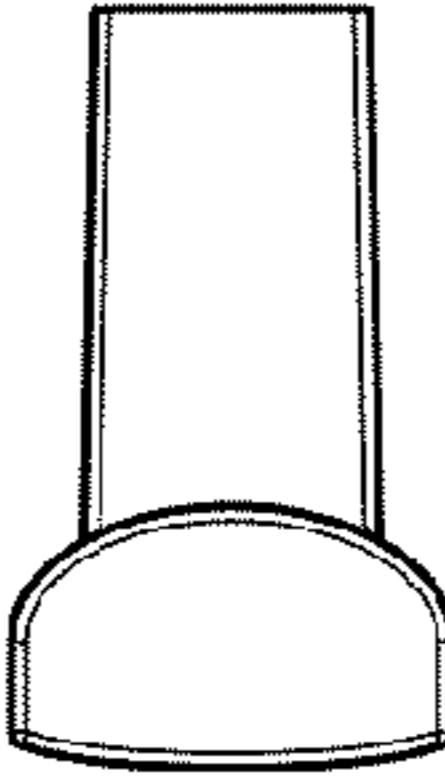


FIG. 3



FIG. 5

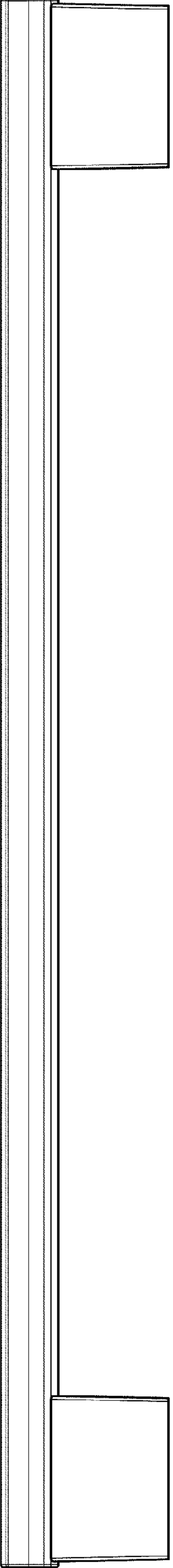


FIG. 6