



US00D654308S

(12) **United States Design Patent**
Tiemann

(10) **Patent No.:** **US D654,308 S**

(45) **Date of Patent:** **** Feb. 21, 2012**

(54) **CAROUSEL BASE COVER**
(75) Inventor: **Frank R. Tiemann**, Madison Lake, MN
(US)
(73) Assignee: **Nifty Home Products, Inc.**, Madison
Lake, MN (US)

D609,057 S 2/2010 Hertaus
D609,533 S 2/2010 Tiemann
D617,124 S 6/2010 Snider
D621,640 S 8/2010 Tiemann
D623,875 S * 9/2010 Snider D6/469
D626,382 S * 11/2010 Tiemann D7/600.2
2003/0146360 A1 * 8/2003 Steinmetz et al. 248/346.01
2007/0045206 A1 3/2007 Tiemann

(**) Term: **14 Years**

* cited by examiner

(21) Appl. No.: **29/369,999**

Primary Examiner — Terry Wallace

(22) Filed: **Sep. 16, 2010**

(74) *Attorney, Agent, or Firm* — Thomas J. Nikolai; Nikolai
& Mersereau, P.A.

(51) **LOC (9) Cl.** **07-06**

(52) **U.S. Cl.** **D7/401.1**

(58) **Field of Classification Search** D7/401.1,
D7/701-708, 600.1-600.4, 589; D6/542-545,
D6/469, 495; 248/346.01; D20/1, 4, 7
See application file for complete search history.

(57) **CLAIM**

The ornamental design for the carousel base cover, as shown
and described.

(56) **References Cited**

DESCRIPTION

U.S. PATENT DOCUMENTS

D512,282 S * 12/2005 Martin D7/707
D536,936 S 2/2007 Tiemann
D544,308 S 6/2007 Tiemann
D586,185 S 2/2009 Tiemann
D598,959 S * 8/2009 Kiddoo D6/495

FIG. 1 is a perspective view of the carousel base cover;
FIG. 2 is a top view thereof;
FIG. 3 is a front view thereof;
FIG. 4 is a side view thereof;
FIG. 5 is a back view thereof;
FIG. 6 is a second side view thereof; and,
FIG. 7 is a bottom view thereof.

1 Claim, 2 Drawing Sheets

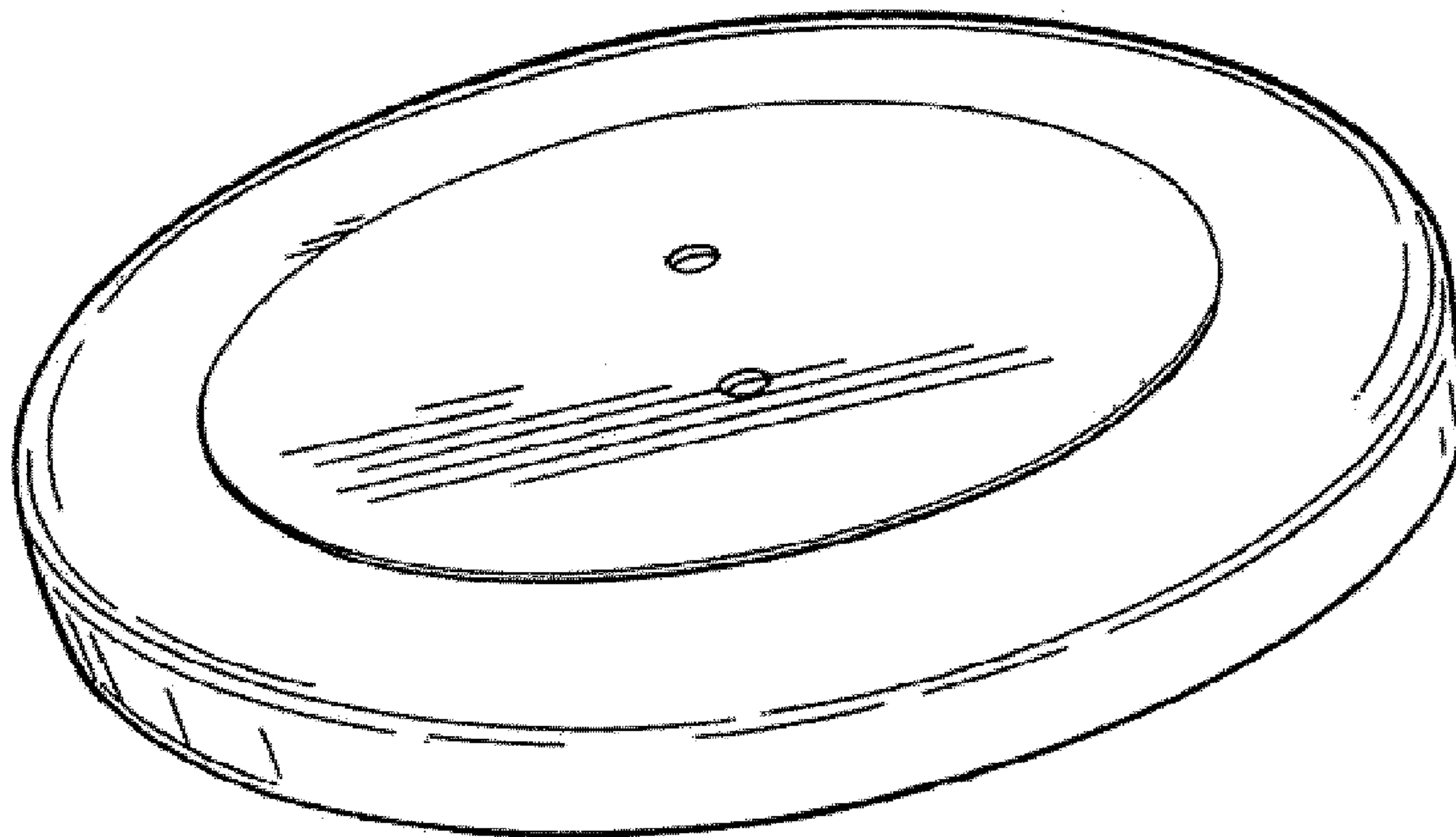


FIG. 1

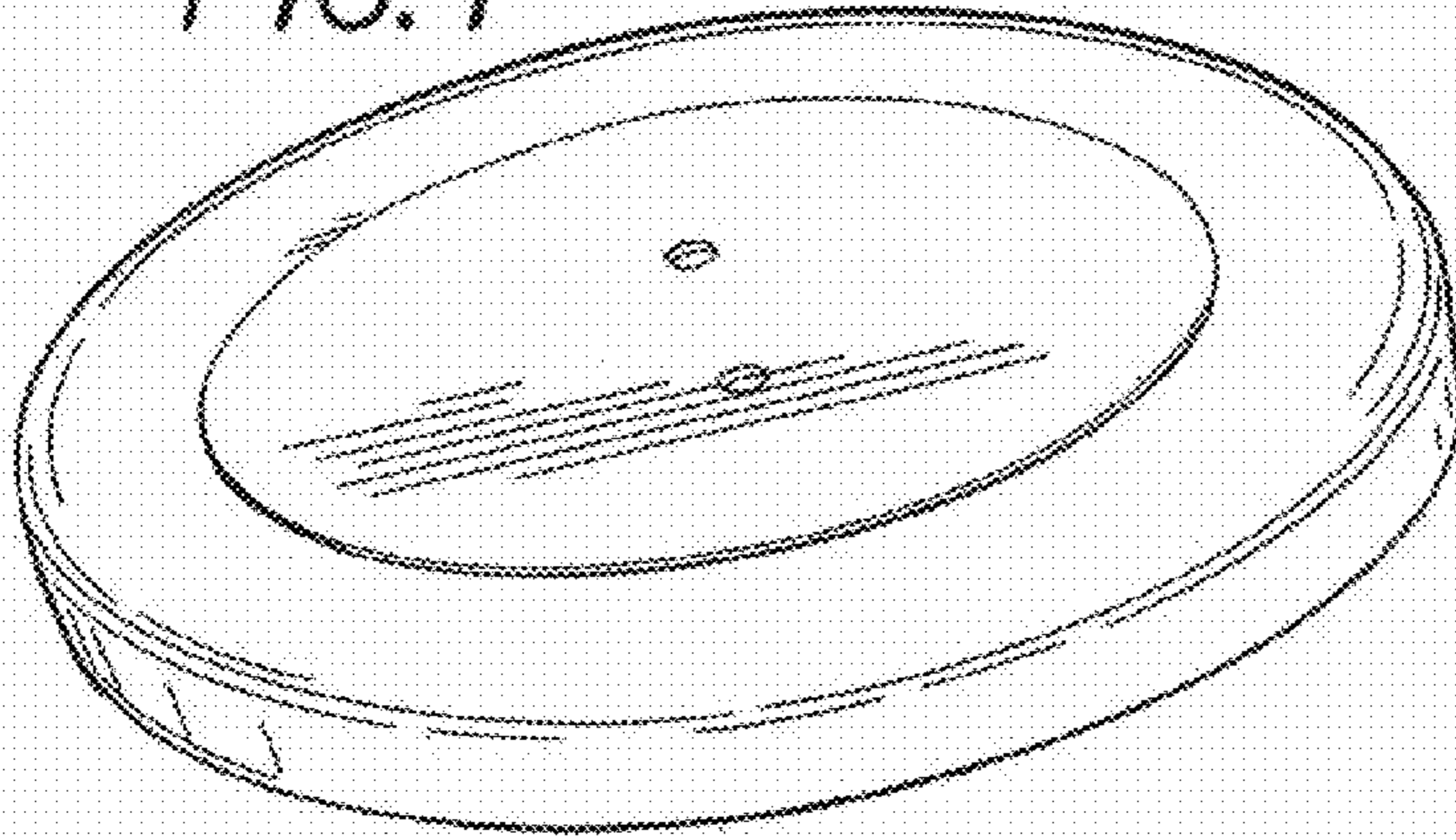


FIG. 2

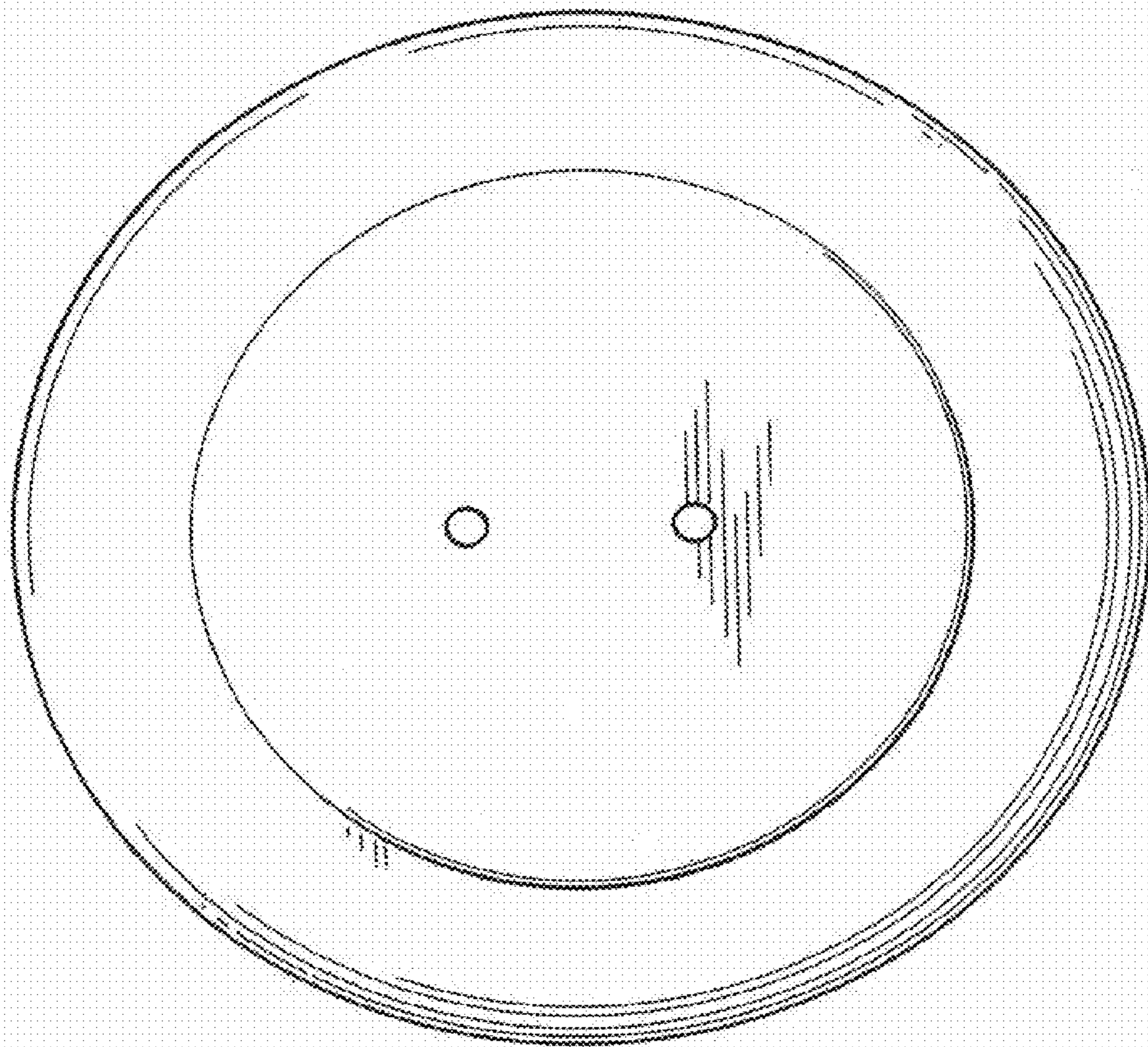


FIG. 3

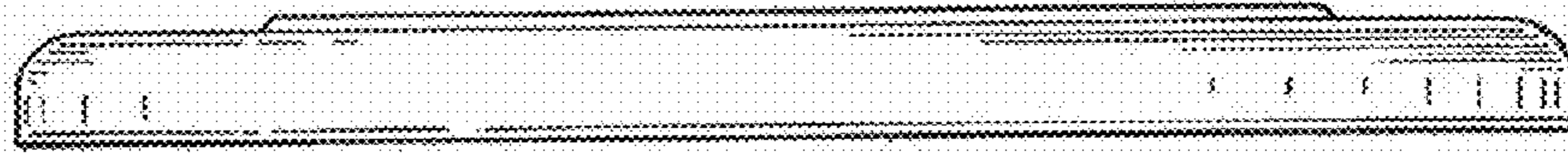


FIG. 4

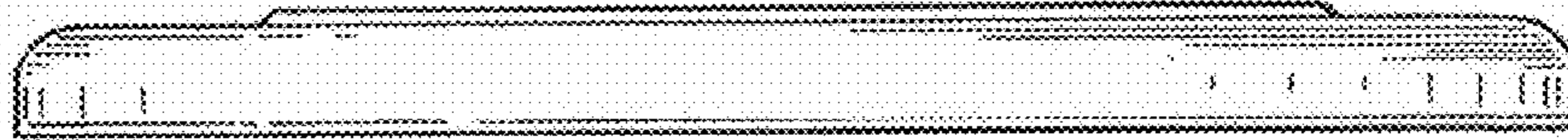


FIG. 5

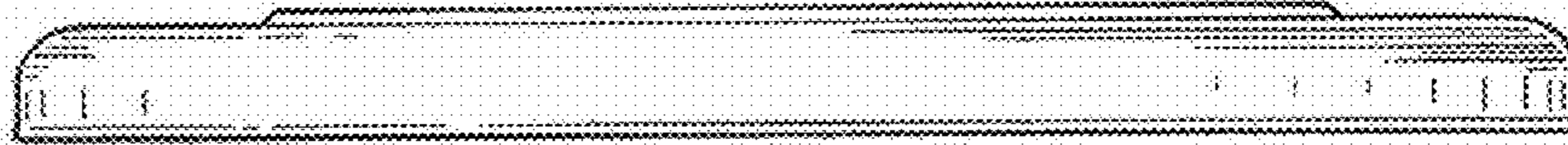


FIG. 6

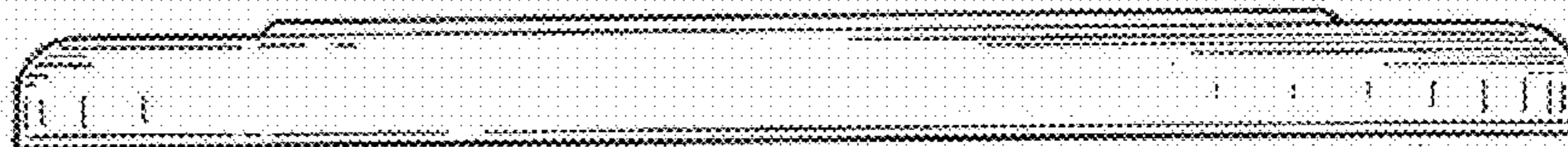


FIG. 7

