



US00D654306S

(12) **United States Design Patent**
Brinckerhoff et al.

(10) **Patent No.:** **US D654,306 S**

(45) **Date of Patent:** **** Feb. 21, 2012**

(54) **BLENDER LID**

(75) Inventors: **Amy Tinnell Brinckerhoff**, Newton, MA (US); **Aric Jennings**, Boston, MA (US); **August Alden Drufke**, Brookline, MA (US)

(73) Assignee: **Euro-Pro Operating LLC**, Newton, MA (US)

(**) Term: **14 Years**

(21) Appl. No.: **29/398,903**

(22) Filed: **Aug. 5, 2011**

(51) **LOC (9) Cl.** **07-02**

(52) **U.S. Cl.** **D7/391; D7/376; D7/378; D7/384**

(58) **Field of Classification Search** D7/305-311, D7/317-323, 368, 372, 376-386, 412-415, D7/665; 99/326, 348, 508-511; 241/30-37.5, 241/101.01-101.2, 166-169.1, 285.1-285.3, 241/291, 292.1; 366/64-67, 98, 142, 197-211, 366/241-254, 279-292, 341-347; 416/75-76, 416/70 R, 163

See application file for complete search history.

D419,369 S	1/2000	Naft et al.	
D424,371 S	5/2000	Delmonte	
D435,192 S	12/2000	Bohannon, Jr. et al.	
6,431,744 B1	8/2002	Ash et al.	
D495,925 S	9/2004	Ulanski et al.	
D526,531 S *	8/2006	Drees et al.	D7/378
D533,395 S *	12/2006	Drees et al.	D7/378
D538,595 S	3/2007	White et al.	
D550,507 S	9/2007	Picozza et al.	
7,275,666 B2	10/2007	Rukavina et al.	
D577,537 S *	9/2008	Lee	D7/386
D577,545 S *	9/2008	Ulanski	D7/412
7,422,361 B2 *	9/2008	Pryor et al.	366/197
7,665,885 B2 *	2/2010	Pryor, Jr.	366/197
D615,809 S *	5/2010	Heiberg et al.	D7/391
D617,136 S *	6/2010	Bock et al.	D7/378
D637,862 S	5/2011	Fouquet	
2003/0193833 A1 *	10/2003	Wulf et al.	366/142

* cited by examiner

Primary Examiner — Ricky Pham

(74) *Attorney, Agent, or Firm* — Wolf, Greenfield & Sacks, P.C.

(57) **CLAIM**

The ornamental design for a blender lid, as shown and described.

DESCRIPTION

FIG. 1 is a top, front, left side perspective view of the blender lid;

FIG. 2 is a front elevational view thereof;

FIG. 3 is a rear elevational view thereof;

FIG. 4 is a left side elevational view thereof;

FIG. 5 is a right side elevational view thereof;

FIG. 6 is a top plan view thereof; and,

FIG. 7 is a bottom plan view thereof.

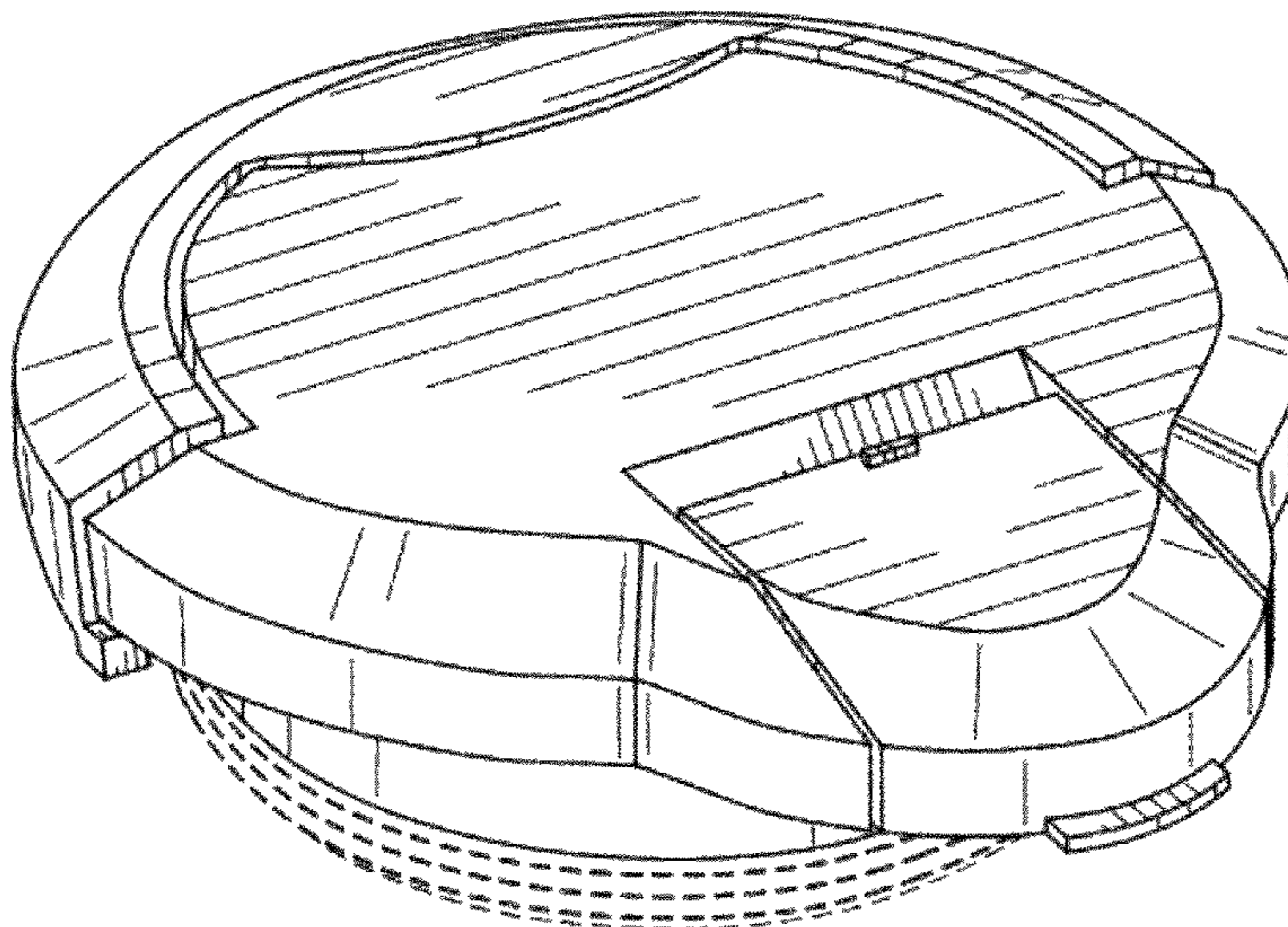
The details shown in broken lines are for illustrative purposes only and form no part of the claimed design.

1 Claim, 3 Drawing Sheets

(56) **References Cited**

U.S. PATENT DOCUMENTS

D115,517 S	7/1939	Hook	
2,794,627 A	6/1957	Rodwick	
D187,684 S	4/1960	Hauser et al.	
D220,416 S *	4/1971	Folden	D7/413
D228,698 S	10/1973	Barnard, Jr. et al.	
3,778,924 A	12/1973	Okui	
D246,561 S	12/1977	Stahel	
4,696,127 A	9/1987	Dobbs	
D345,488 S	3/1994	Barnard et al.	
D369,197 S	4/1996	Shroff	
D396,993 S	8/1998	Ruck et al.	
D412,639 S	8/1999	Demore	



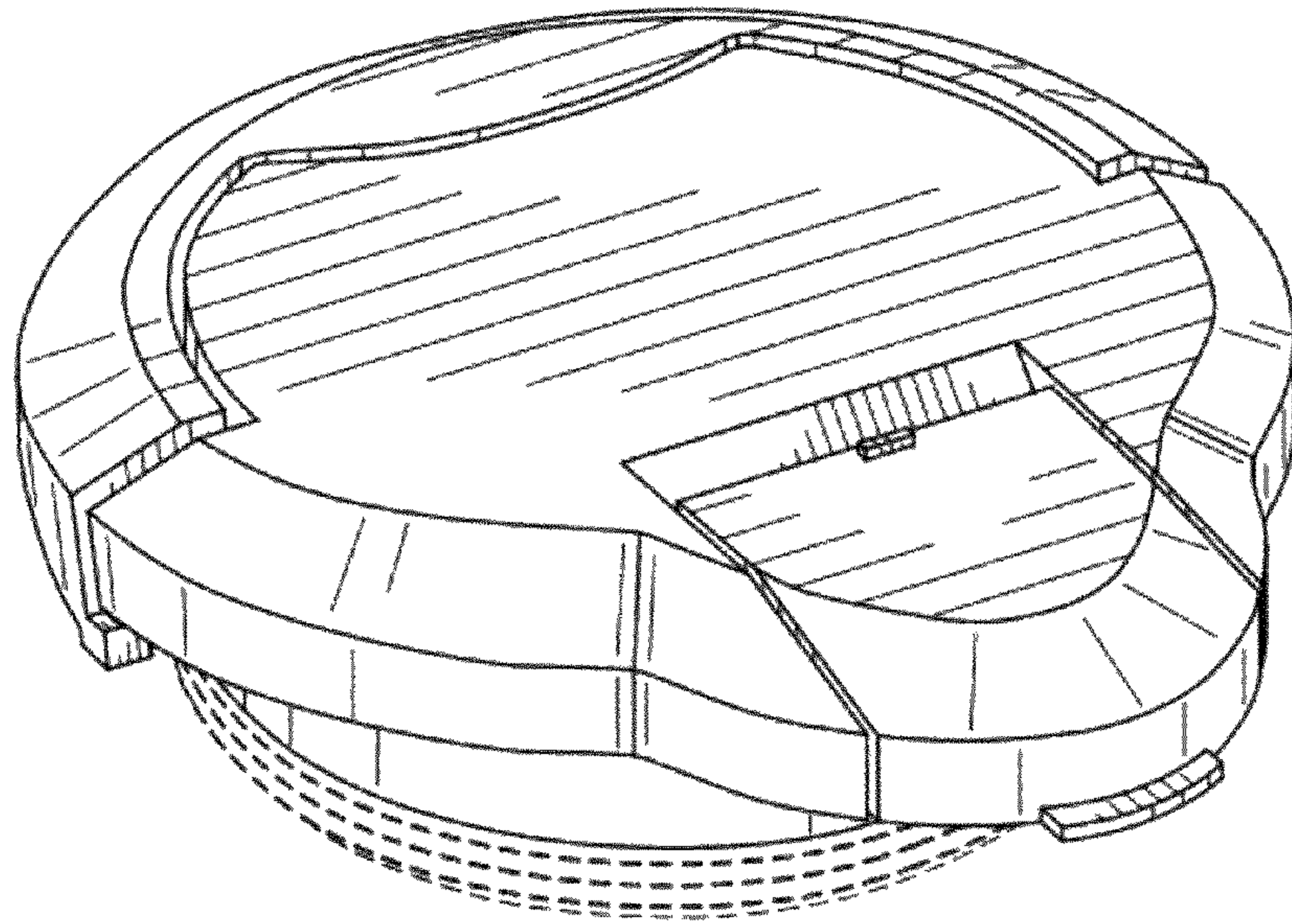


FIG. 1

FIG. 2

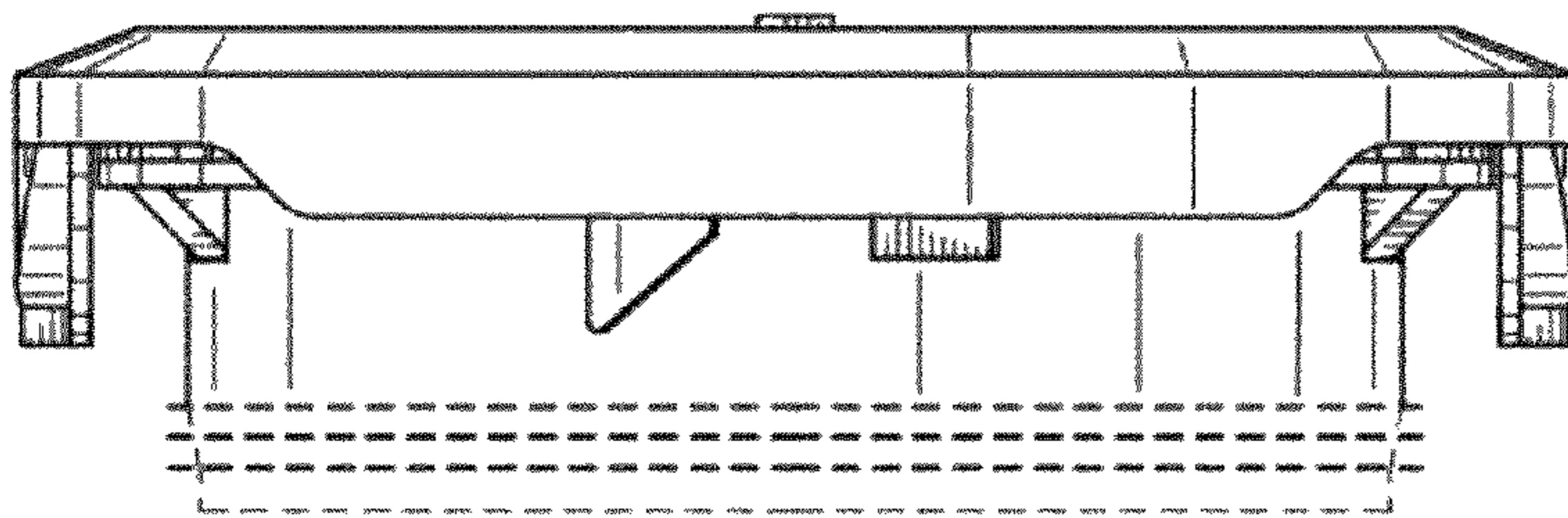
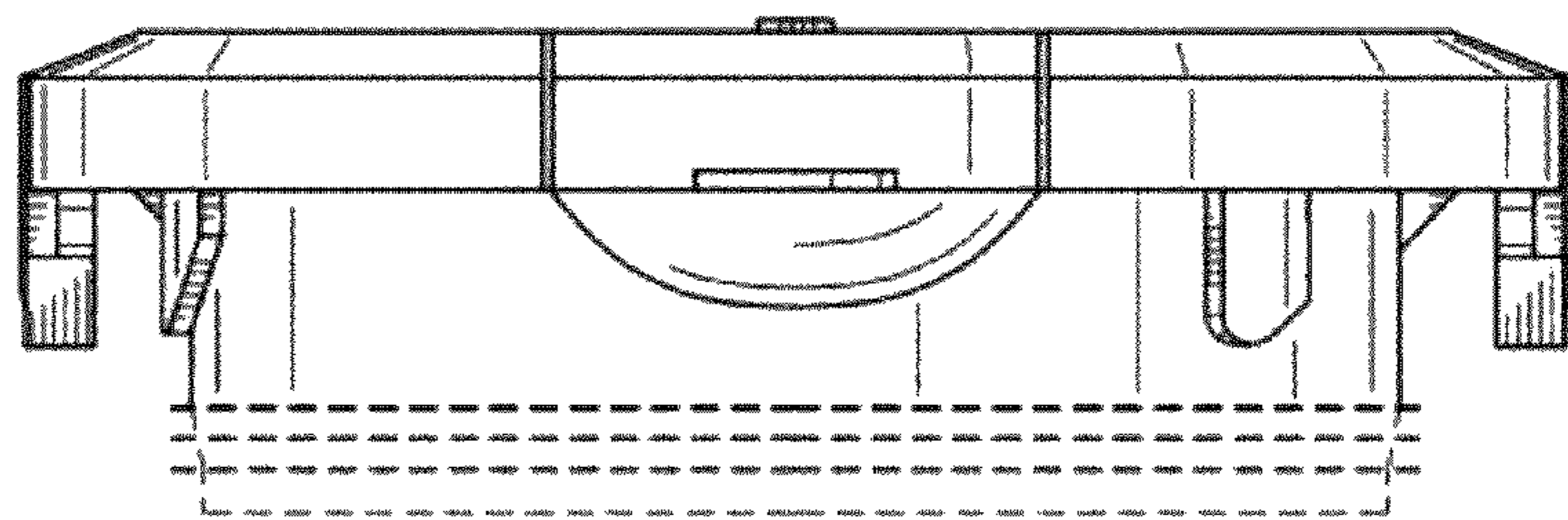


FIG. 3

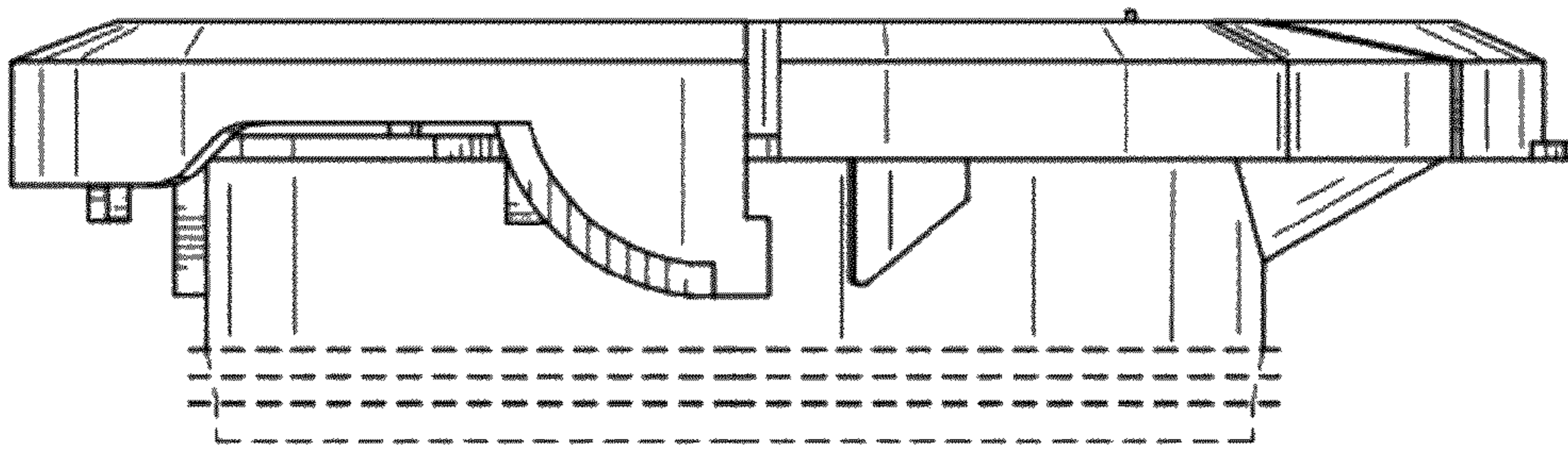


FIG. 4

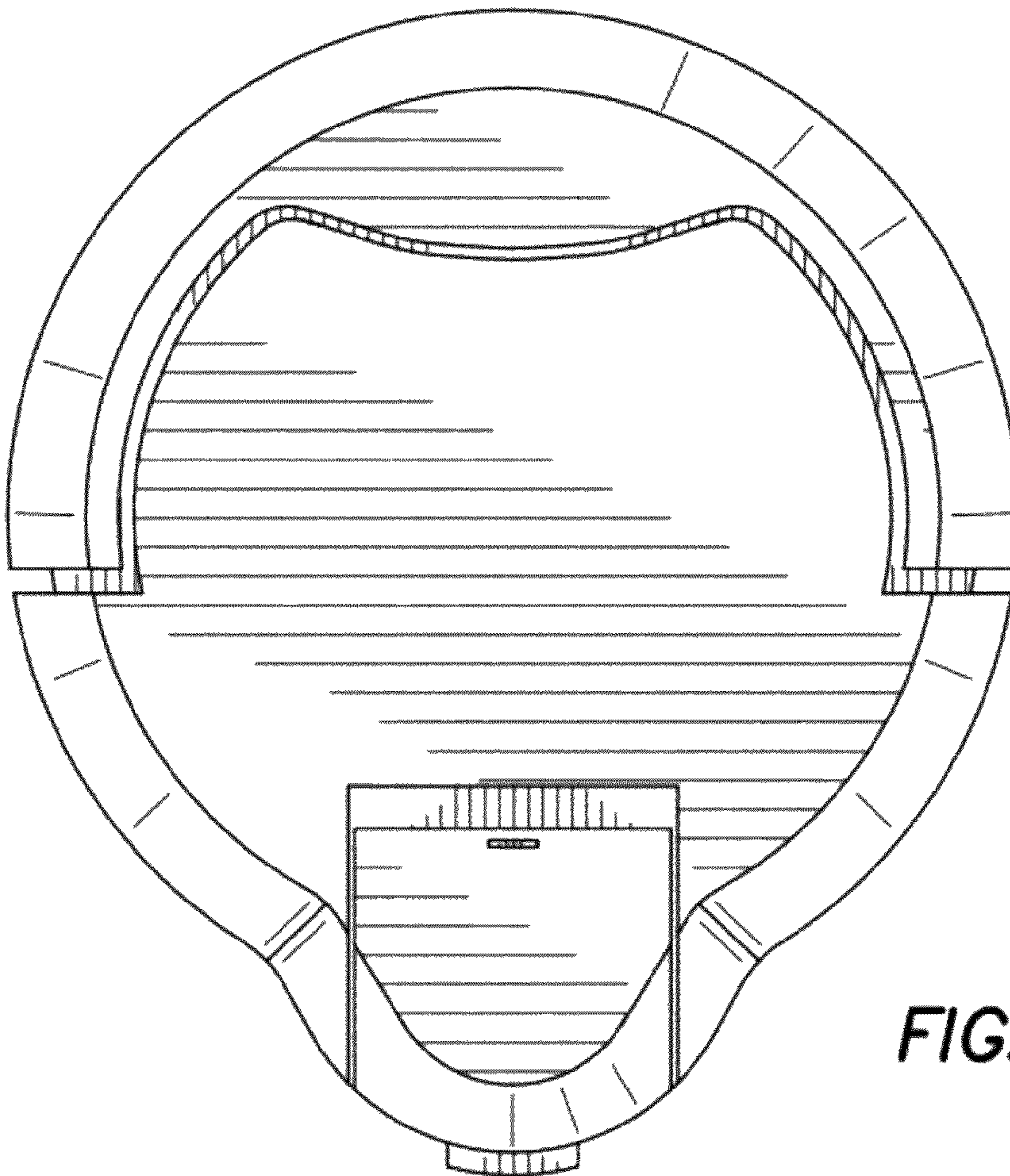


FIG. 6

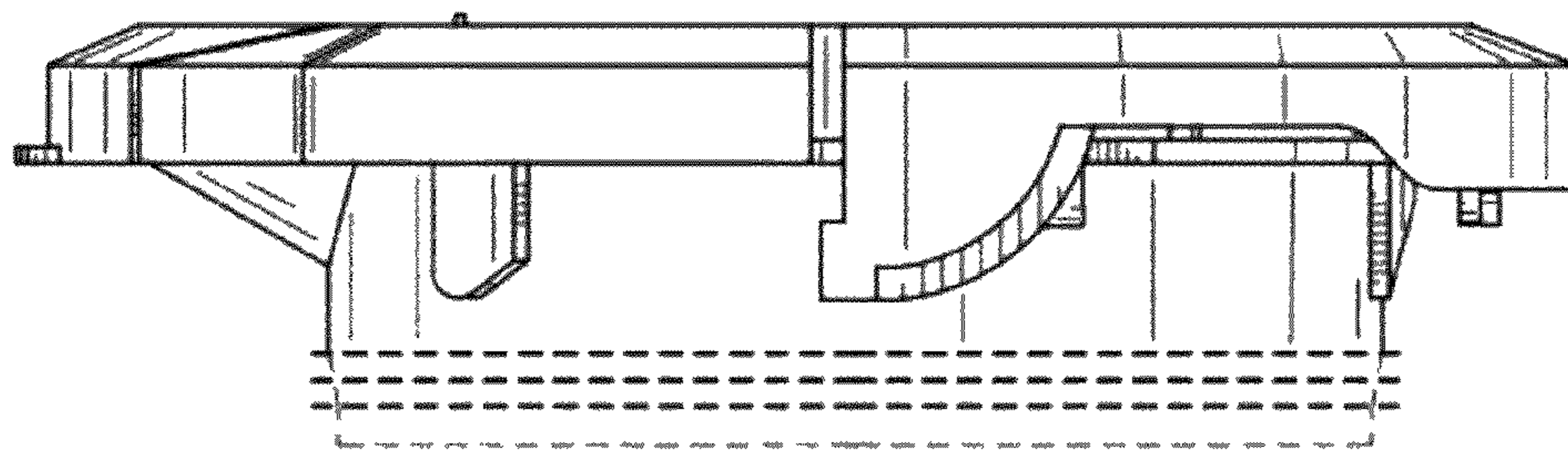


FIG. 5

FIG. 7

