



US00D654305S

(12) **United States Design Patent**
Gursel et al.

(10) **Patent No.:** **US D654,305 S**
(45) **Date of Patent:** **** Feb. 21, 2012**

(54) **BLENDER BASE**
(75) Inventors: **Emre Gursel**, Istanbul (TR); **Metem Gursel**, Istanbul (TR)
(73) Assignee: **Euro-Pro Operating LLC**, Newton, MA (US)
(**) Term: **14 Years**
(21) Appl. No.: **29/398,897**
(22) Filed: **Aug. 5, 2011**
(51) **LOC (9) Cl.** **31-00**
(52) **U.S. Cl.** **D7/386; D7/376; D7/378**
(58) **Field of Classification Search** D7/305-311, D7/317-318, 368, 372, 376-386, 391, 412-415, D7/607, 665; 99/326, 348, 508-511; 241/30-37.5, 241/101.01-101.2, 166-169.1, 282.2, 285.1-285.3, 241/291, 292.1; 366/64-67, 98, 142, 197-211, 366/241-254, 279-292, 341-347; 416/75-76, 416/70 R, 163
See application file for complete search history.

D403,202 S 12/1998 Cousins
D412,809 S * 8/1999 Toro et al. D7/378
D417,581 S * 12/1999 Barthelemy et al. D7/378
D433,595 S * 11/2000 Naft et al. D7/386
D434,596 S * 12/2000 Naft et al. D7/378
D439,106 S * 3/2001 Naft et al. D7/386
D450,978 S * 11/2001 Smith D7/378
D451,336 S * 12/2001 Deros et al. D7/386
D451,756 S * 12/2001 Deros et al. D7/378
D498,643 S * 11/2004 Pryor et al. D7/386
D535,523 S * 1/2007 White D7/412
D543,072 S 5/2007 Ting et al.
D545,126 S * 6/2007 White D7/412
D553,426 S 10/2007 Lin
D554,427 S 11/2007 Sands
D567,578 S * 4/2008 Chiappetta D7/376
D595,084 S 6/2009 Metaxatos et al.

OTHER PUBLICATIONS

U.S. Appl. No. 29/386,893, filed Mar. 5, 2011, Audette et al.

* cited by examiner

Primary Examiner — Ricky Pham

(57) **CLAIM**
The ornamental design for a blender base, as shown and described.

(56) **References Cited**

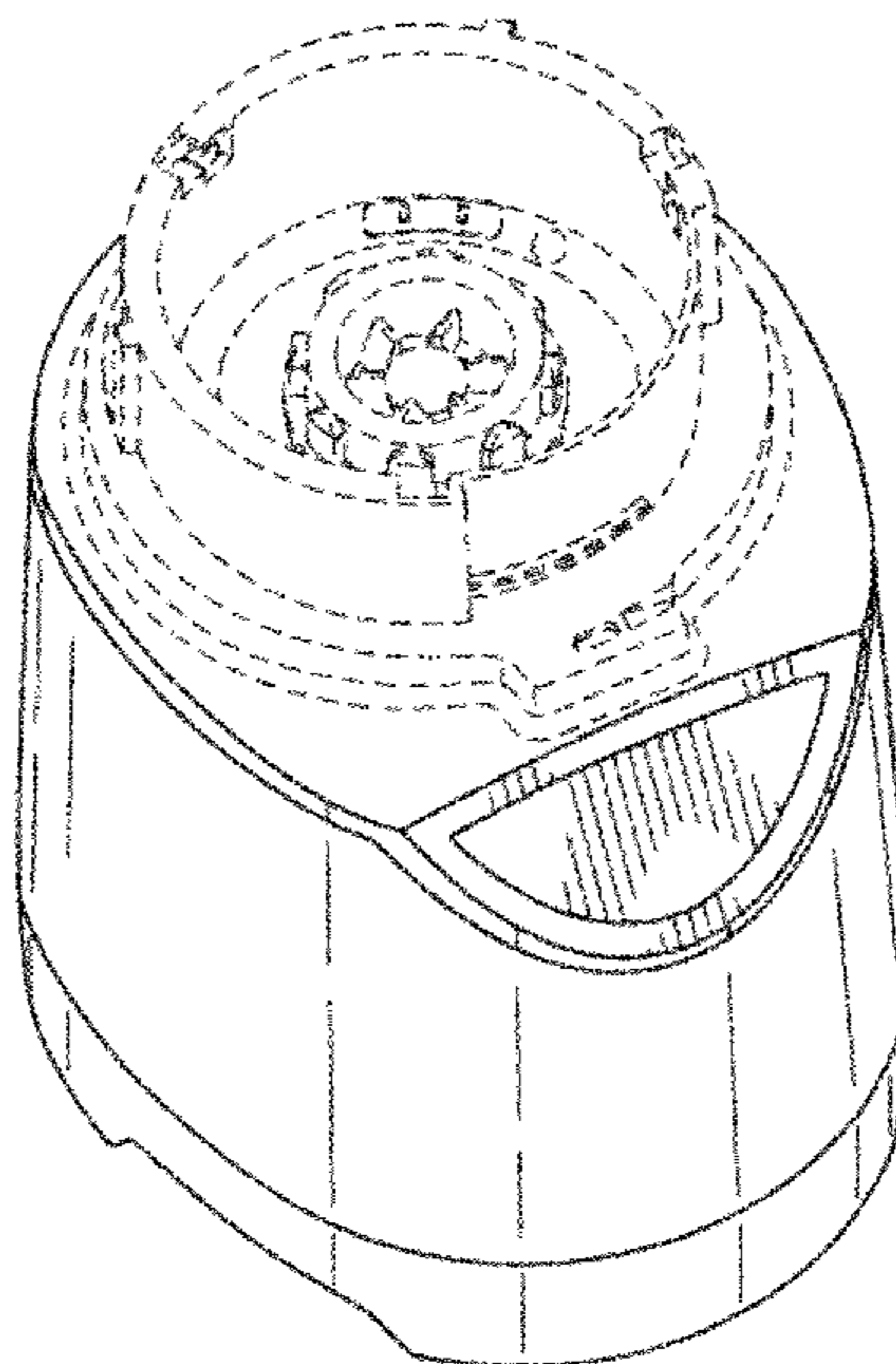
U.S. PATENT DOCUMENTS

D173,534 S 11/1954 Morgan
D200,285 S 2/1965 Madl
D204,924 S 5/1966 De Sesa
D209,652 S 12/1967 Weiss
D225,787 S 1/1973 Levin
D229,715 S 12/1973 Nowak
D255,758 S 7/1980 Steinkamp et al.
D259,387 S 6/1981 Levin
D277,634 S 2/1985 Doggett
D290,217 S 6/1987 Levin
D336,590 S 6/1993 Barnard
D337,240 S 7/1993 Levin
D369,512 S 5/1996 Brady
D396,167 S * 7/1998 Cruz D7/386
D396,990 S 8/1998 Leverrier

DESCRIPTION

FIG. 1 is a top, front, left side perspective view of the blender base;
FIG. 2 is a front elevational view thereof;
FIG. 3 is a rear elevational view thereof;
FIG. 4 is a left side elevational view thereof;
FIG. 5 is a right side elevational view thereof;
FIG. 6 is a top plan view thereof; and,
FIG. 7 is a bottom plan view thereof.
The details shown in broken lines are for illustrative purposes only and form no part of the claimed design.

1 Claim, 3 Drawing Sheets



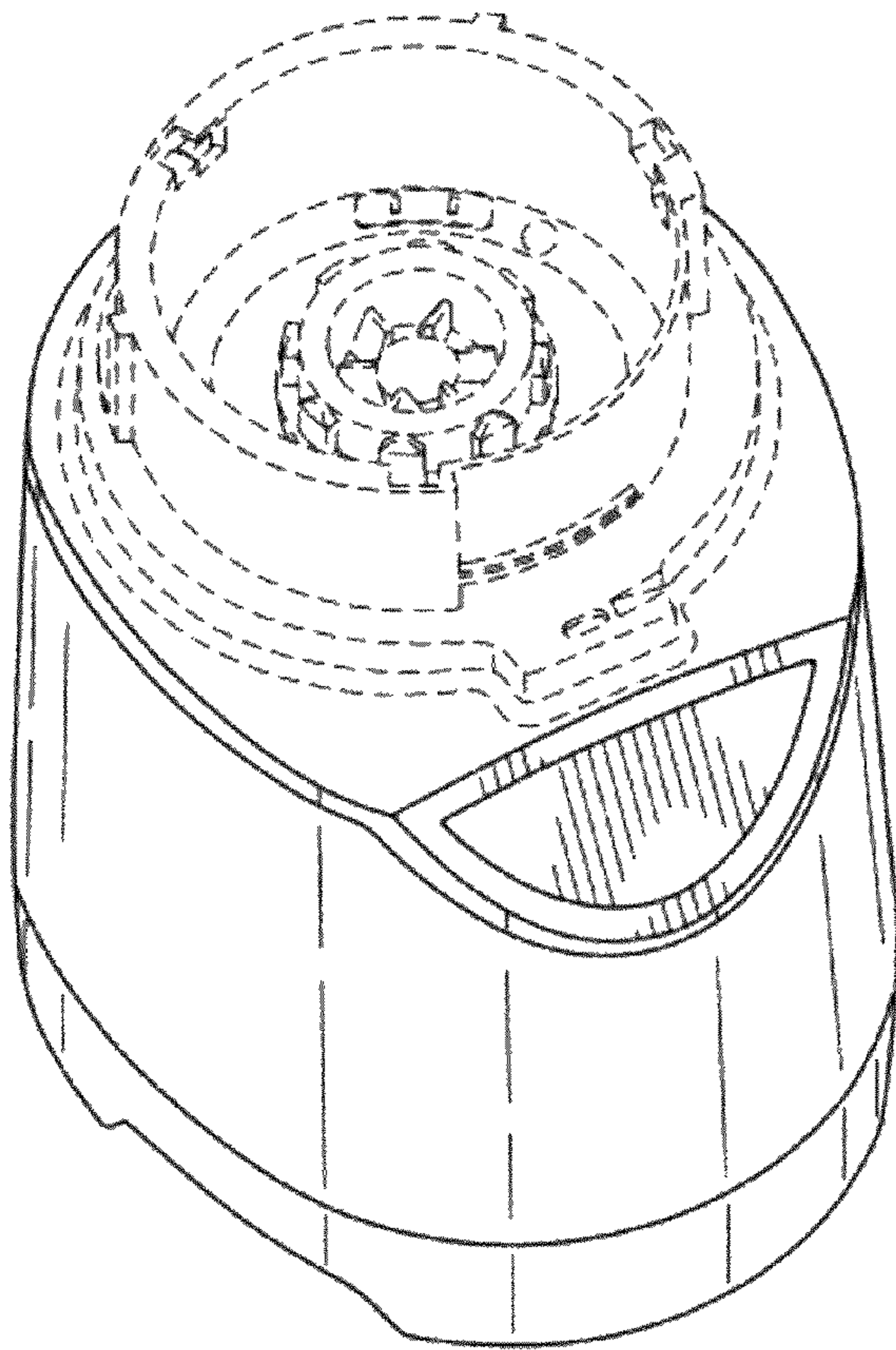


FIG. 1

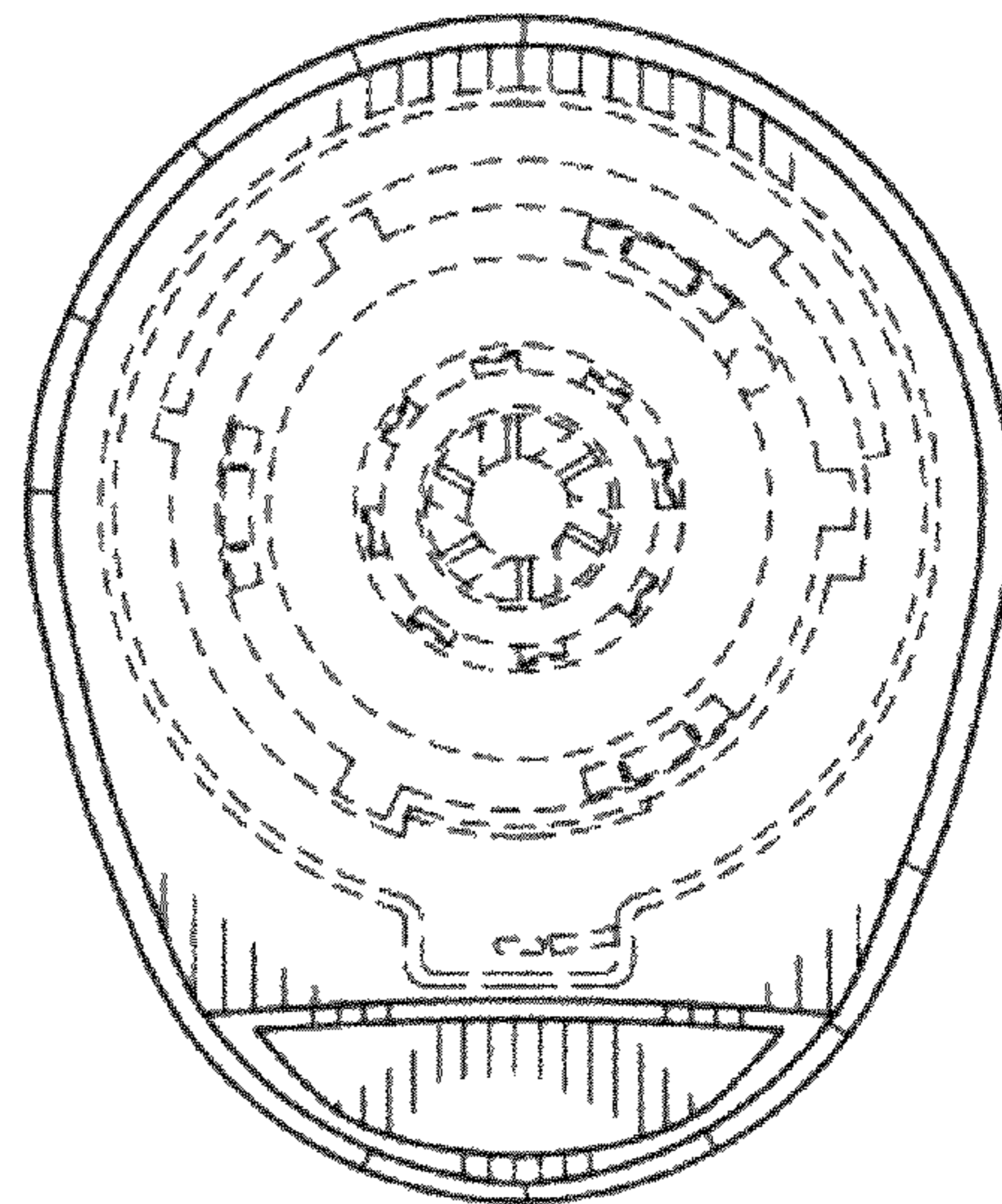


FIG. 6

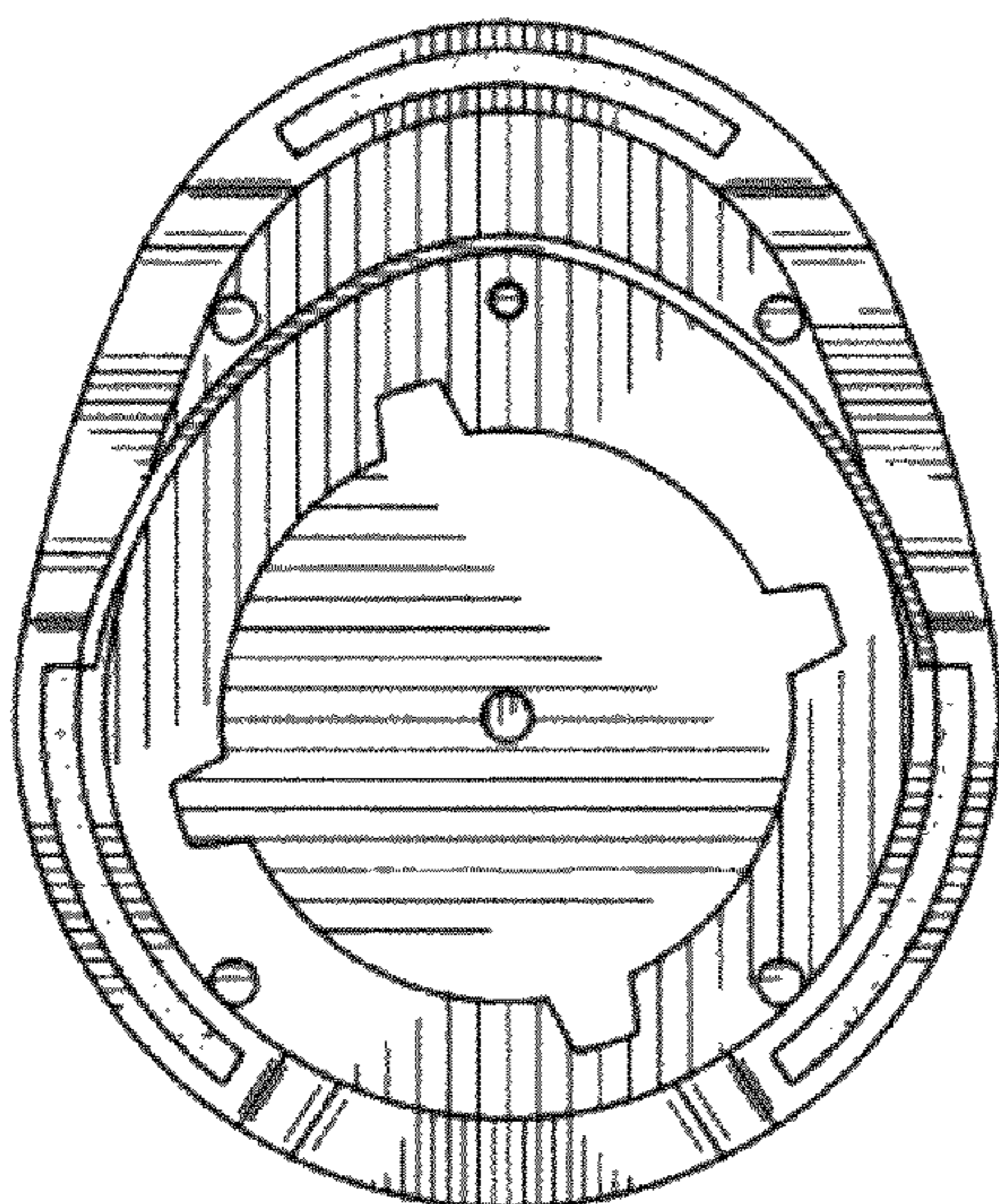


FIG. 7

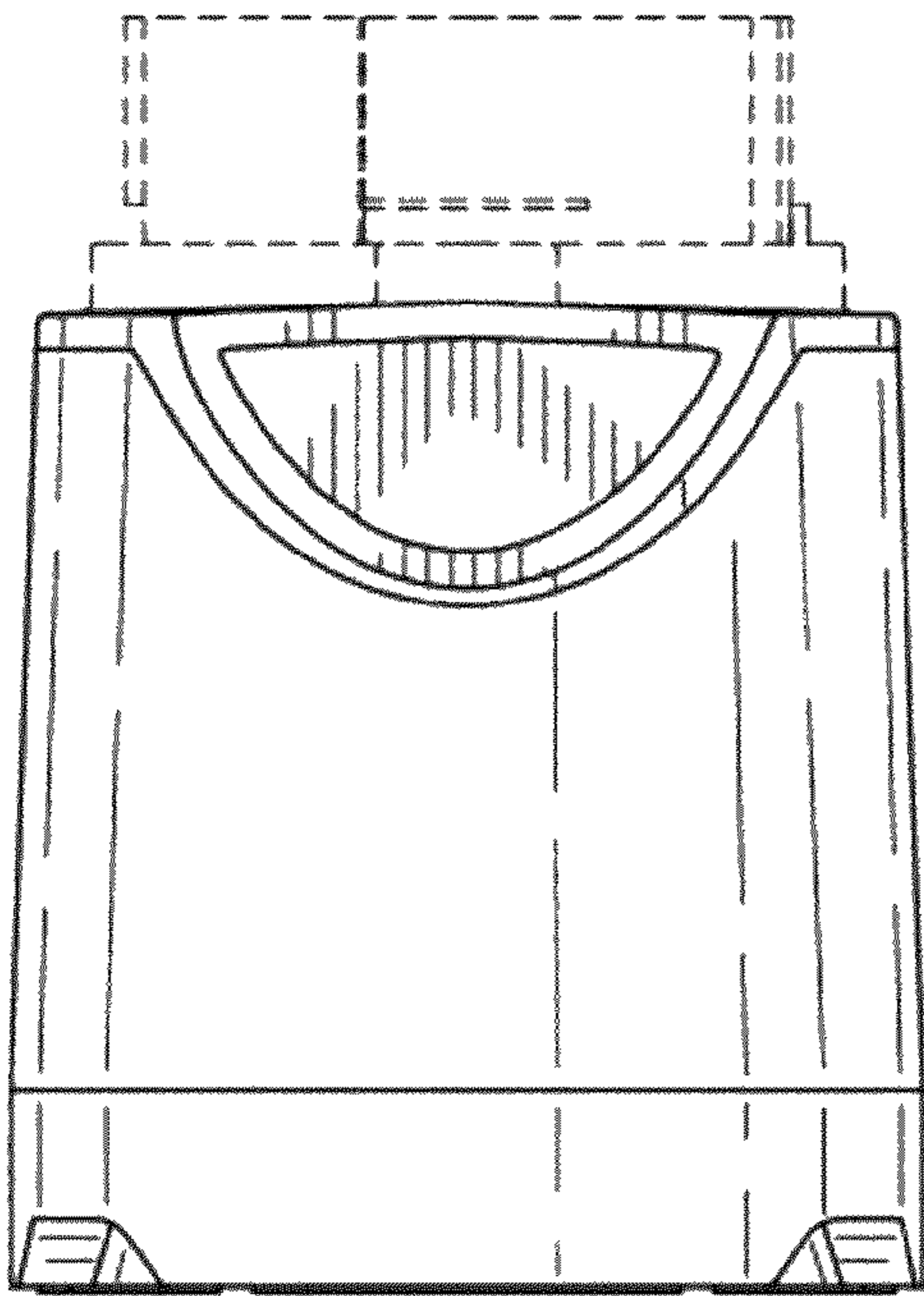


FIG. 2

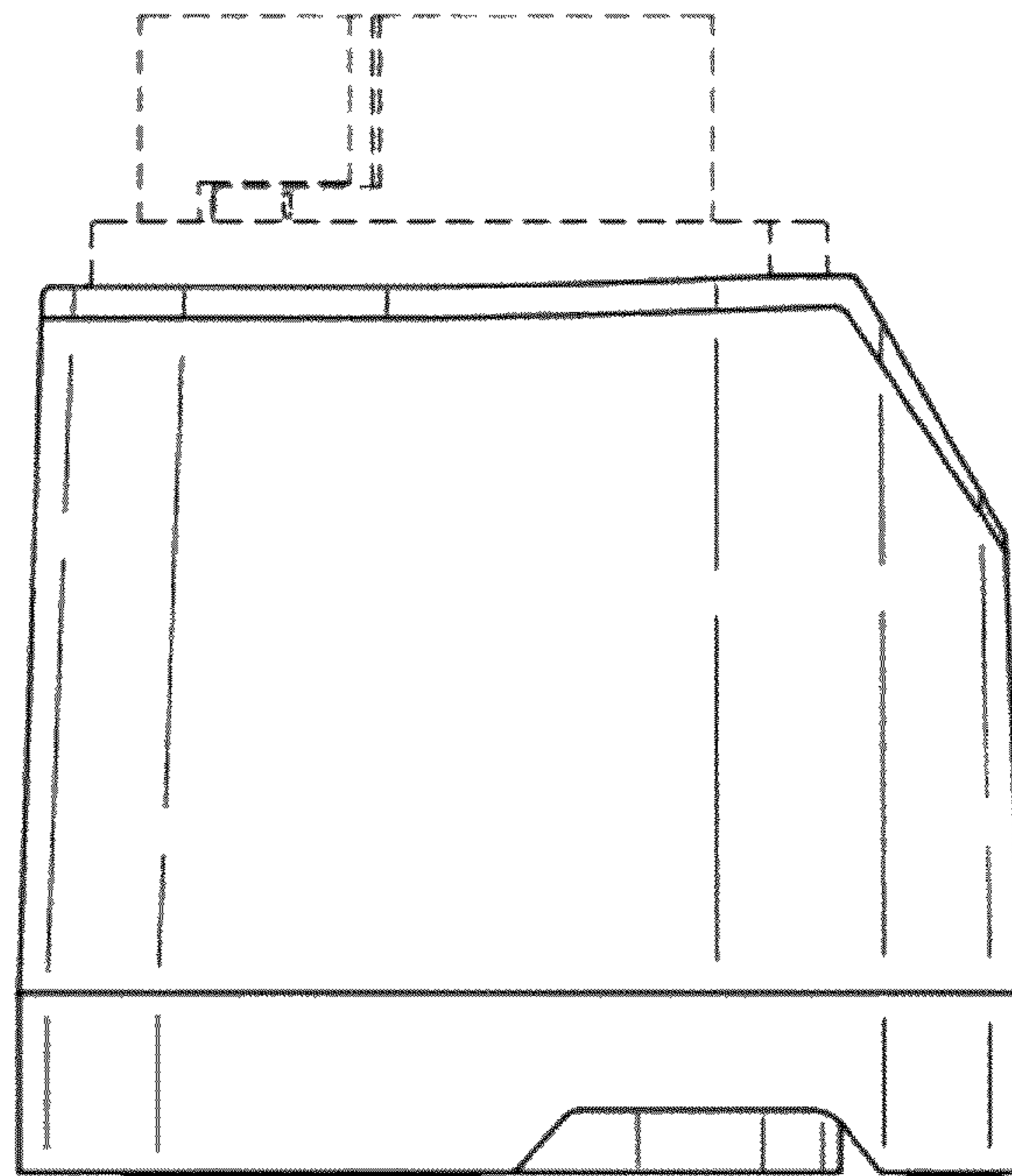


FIG. 4

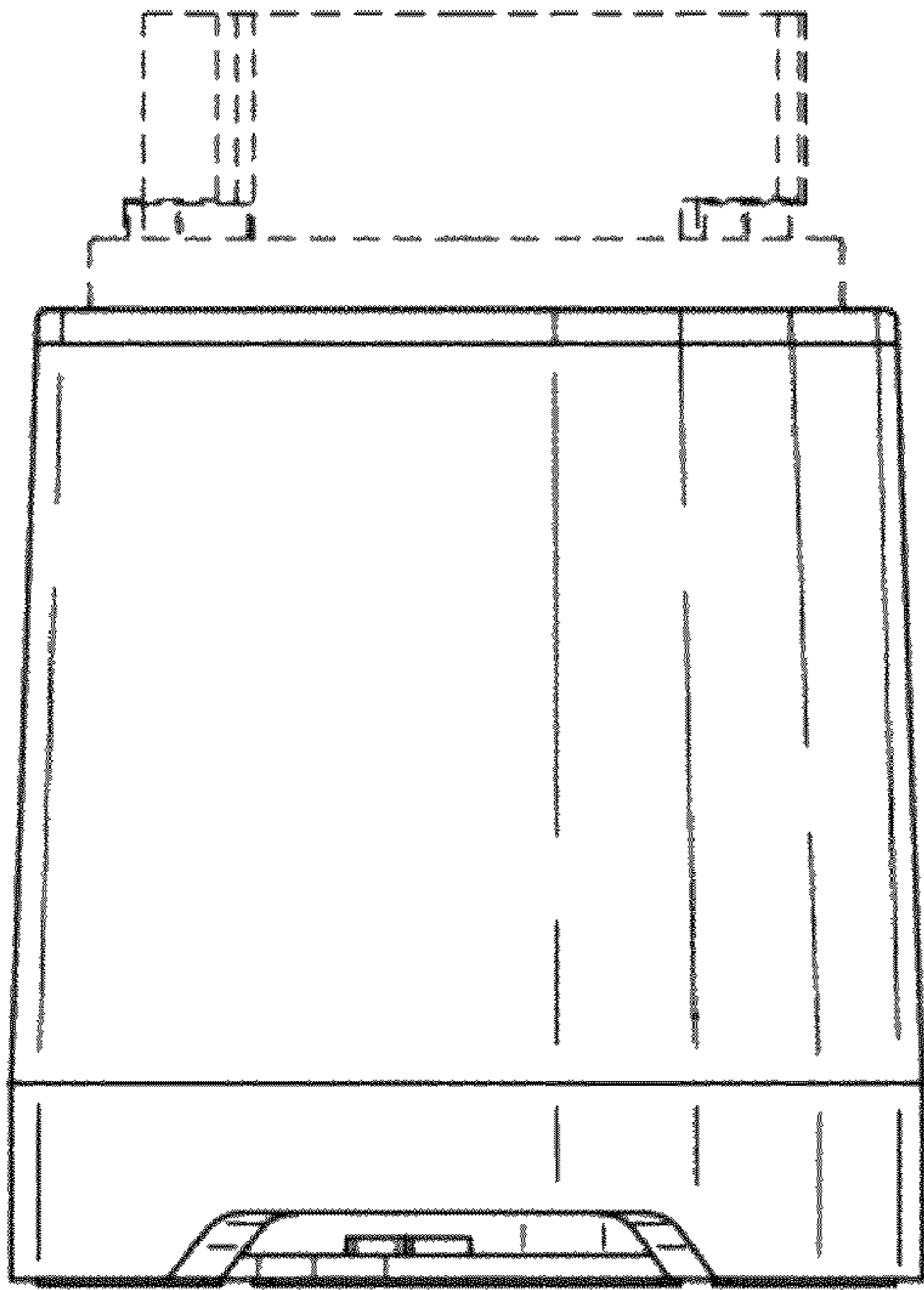


FIG. 3

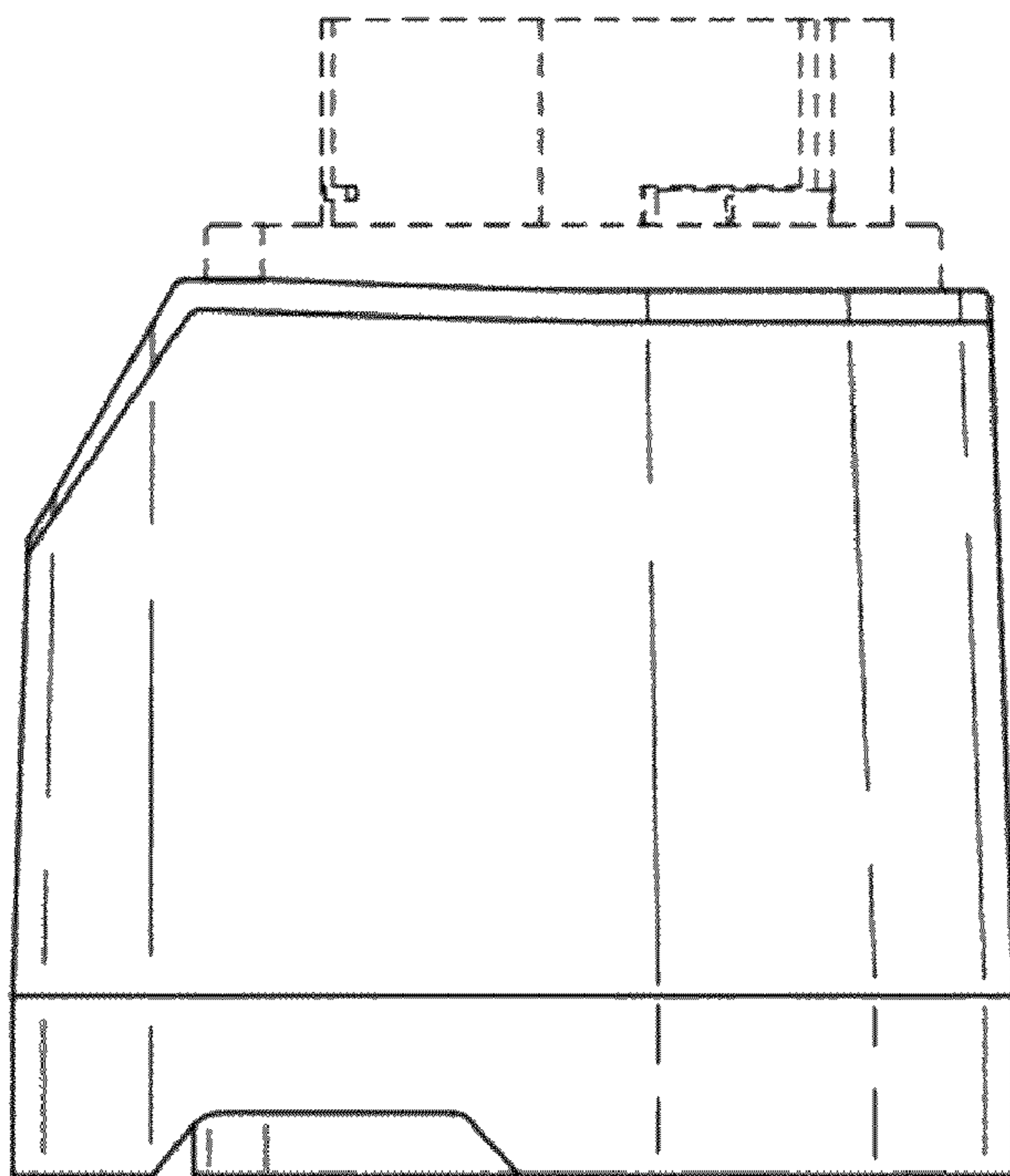


FIG. 5