



US00D654304S

(12) **United States Design Patent**
Bodum

(10) **Patent No.:** **US D654,304 S**

(45) **Date of Patent:** **** Feb. 21, 2012**

(54) **ELECTRIC MIXER**

(75) Inventor: **Jørgen Bodum**, Meggen (CH)

(73) Assignee: **PI-Design AG**, Triengen (CH)

(**) Term: **14 Years**

(21) Appl. No.: **29/396,586**

(22) Filed: **Jul. 1, 2011**

(30) **Foreign Application Priority Data**

Jan. 14, 2011 (WO) DM/075 167

(51) **LOC (9) Cl.** **31-00**

(52) **U.S. Cl.** **D7/379; D7/376**

(58) **Field of Classification Search** D7/305-311,
D7/317-318, 368, 372-386, 391, 412-415,
D7/607, 665; D15/82; 99/326, 348, 508-511;
241/30-37.5, 101.01-101.2, 166-169.1,
241/282.2, 285.1-285.3, 291, 292.1; 366/64-67,
366/98, 142, 197-211, 241-254, 279-292,
366/341-347; 416/75-76, 70 R, 163
See application file for complete search history.

(56) **References Cited**

U.S. PATENT DOCUMENTS

D116,747 S *	9/1939	Meeker et al.	D7/379
2,584,887 A *	2/1952	Laurence	366/197
D168,037 S *	10/1952	Karstadt	D7/379
2,662,753 A *	12/1953	Schwarz	366/200
D189,936 S	3/1961	Grange		
3,456,180 A	7/1969	Athey et al.		
D284,633 S	7/1986	Viancin		
D286,258 S	10/1986	Grange		

D322,009 S *	12/1991	Doggett	D7/379
D378,560 S	3/1997	Myers et al.		
D400,759 S *	11/1998	Doggett	D7/379
D436,497 S *	1/2001	Nalbandian	D7/379
6,669,359 B1 *	12/2003	Ancona et al.	366/197
D489,569 S *	5/2004	Smith et al.	D7/379
D499,604 S	12/2004	Hooper et al.		
D530,146 S	10/2006	Ball et al.		
D533,017 S *	12/2006	Wilson	D7/376
7,175,338 B2 *	2/2007	Hooper et al.	366/197
D540,113 S *	4/2007	Short et al.	D7/376
D584,916 S	1/2009	Christou		
D612,195 S *	3/2010	Liu	D7/379
D613,549 S	4/2010	Picozza et al.		
D616,699 S	6/2010	Hoare et al.		

* cited by examiner

Primary Examiner — Ricky Pham

(74) *Attorney, Agent, or Firm* — Sughrue Mion, PLLC

(57) **CLAIM**

The ornamental design for a electric mixer, as shown and described.

DESCRIPTION

FIG. 1 is an isometric perspective view of the electric mixer that comprises my invention;

FIG. 2 is a left side elevation view thereof;

FIG. 3 is a right side elevation view thereof;

FIG. 4 is a front side elevation view thereof;

FIG. 5 is a back side elevation view thereof;

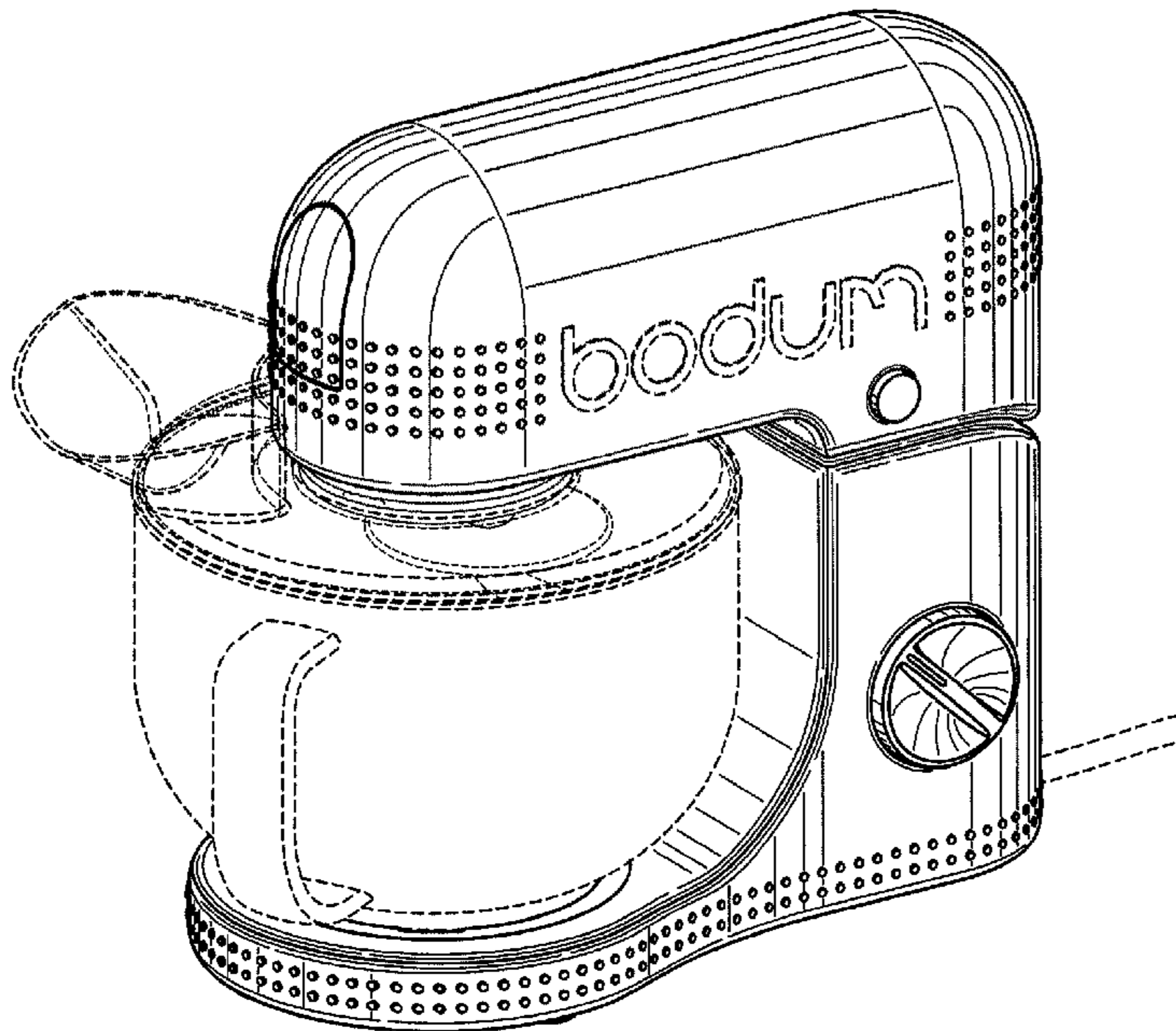
FIG. 6 is a top plan view thereof;

FIG. 7 is a bottom view thereof; and,

FIG. 8 is a perspective view thereof in an open position.

The broken lines depict environmental subject matter only and form no part of the claimed design.

1 Claim, 8 Drawing Sheets



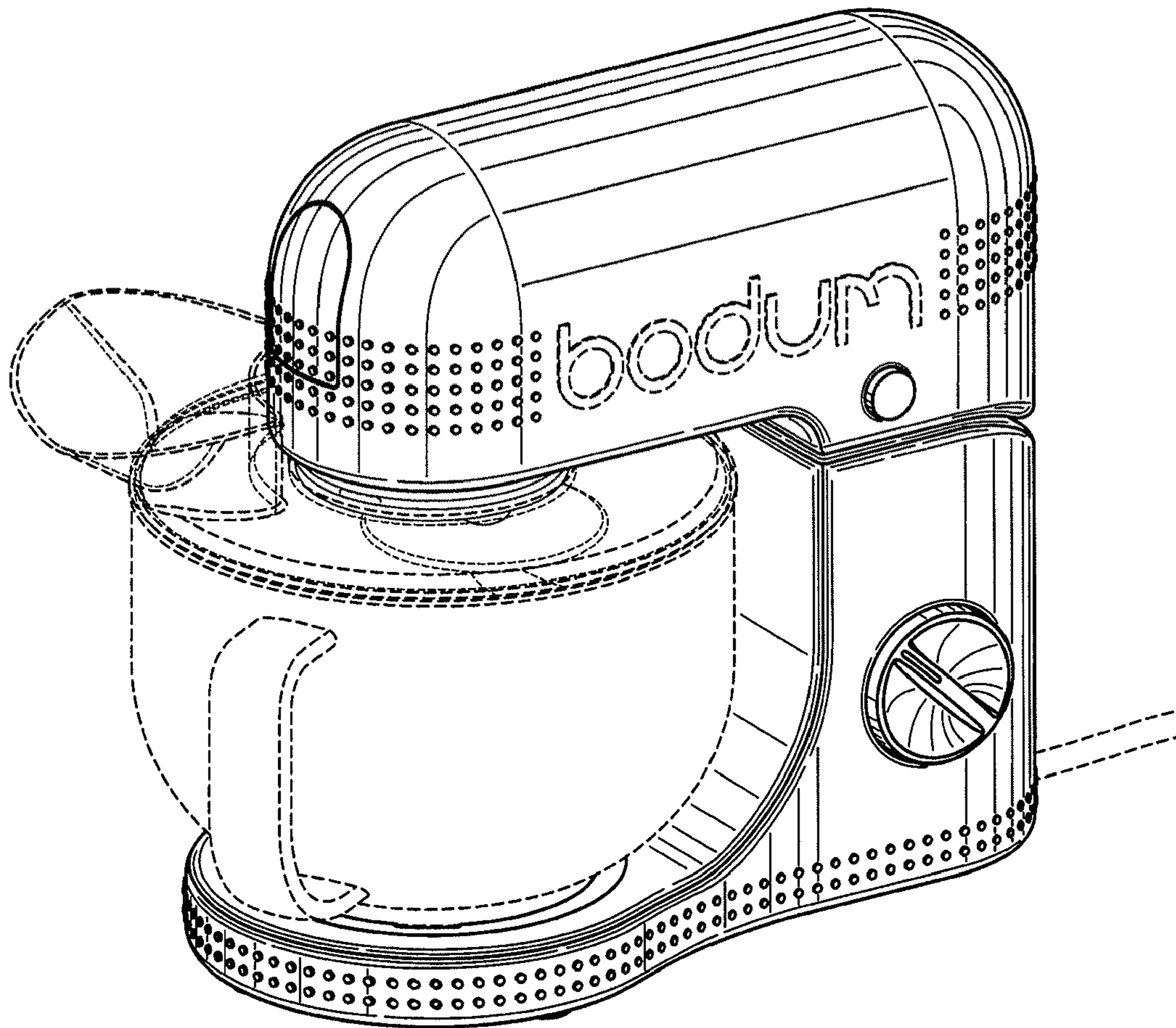


FIG. 1

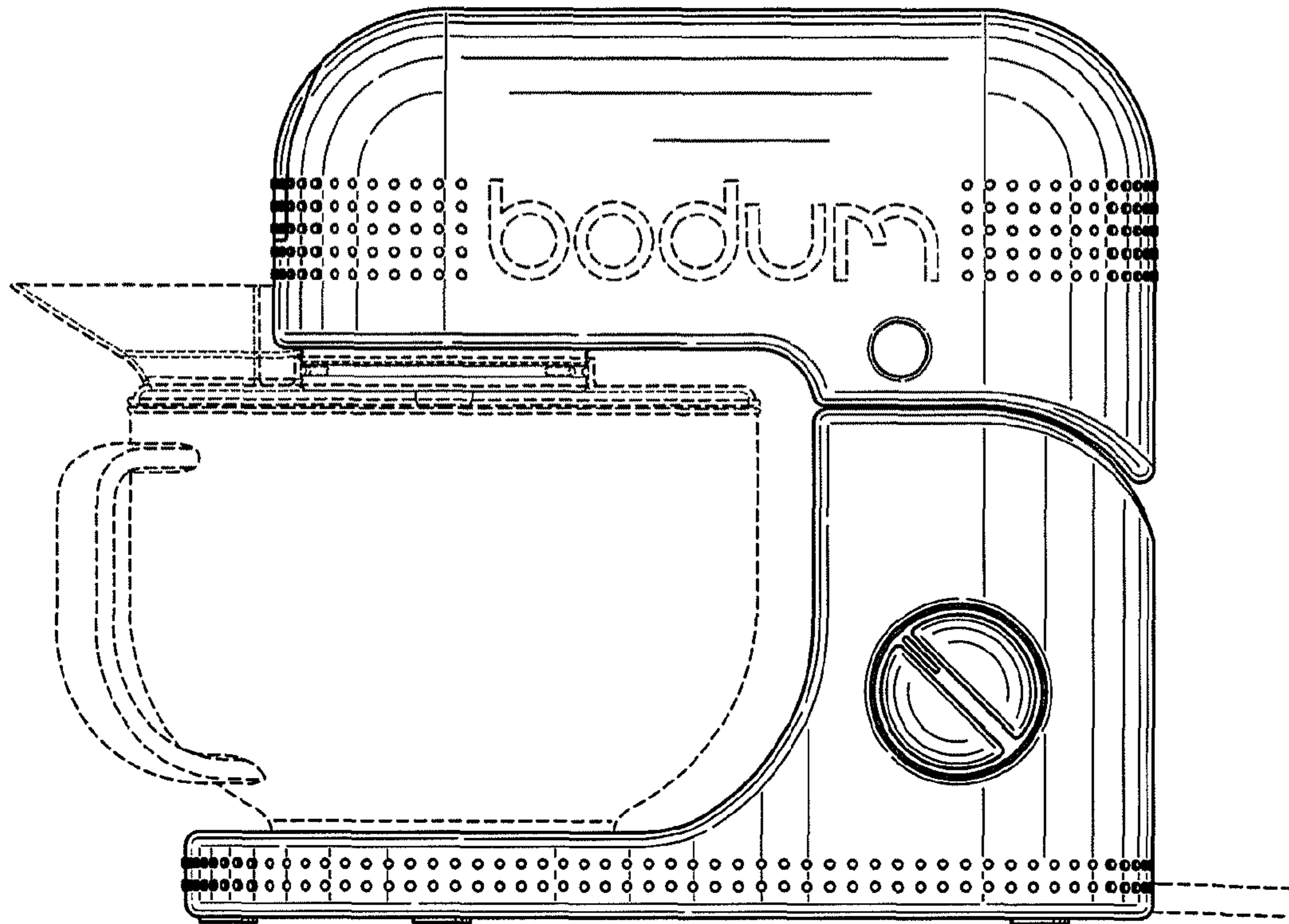


FIG. 2

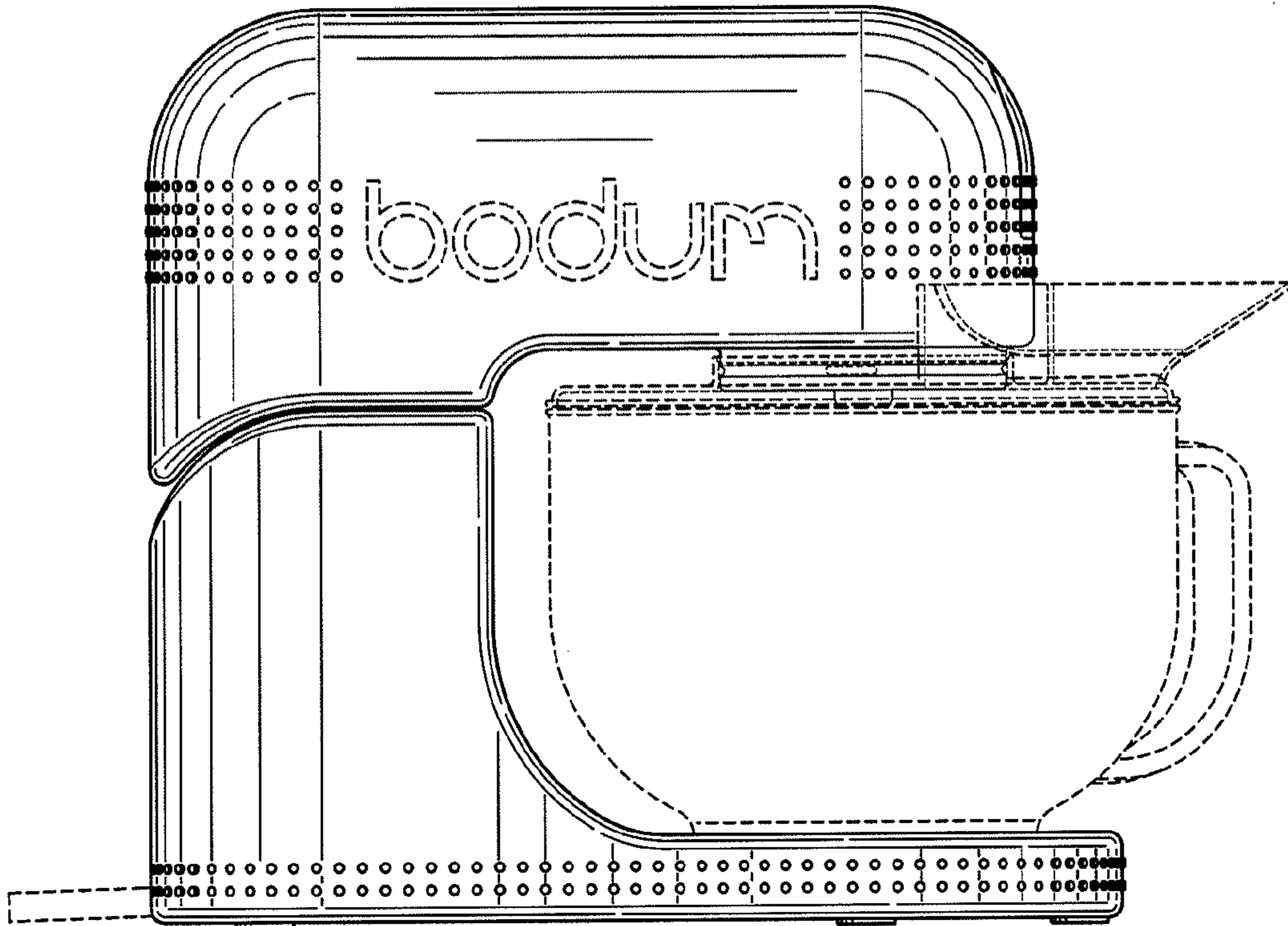


FIG. 3

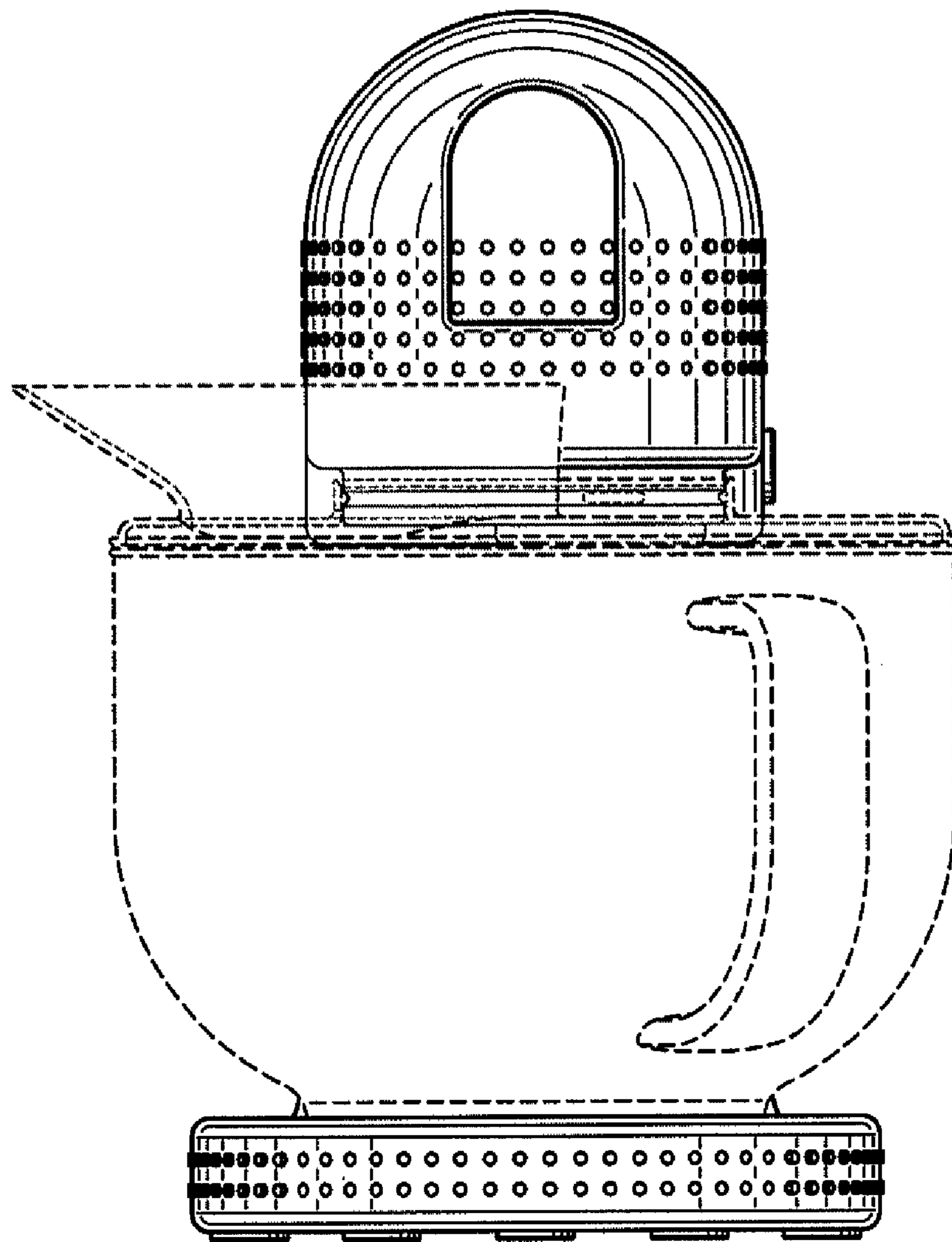


FIG. 4

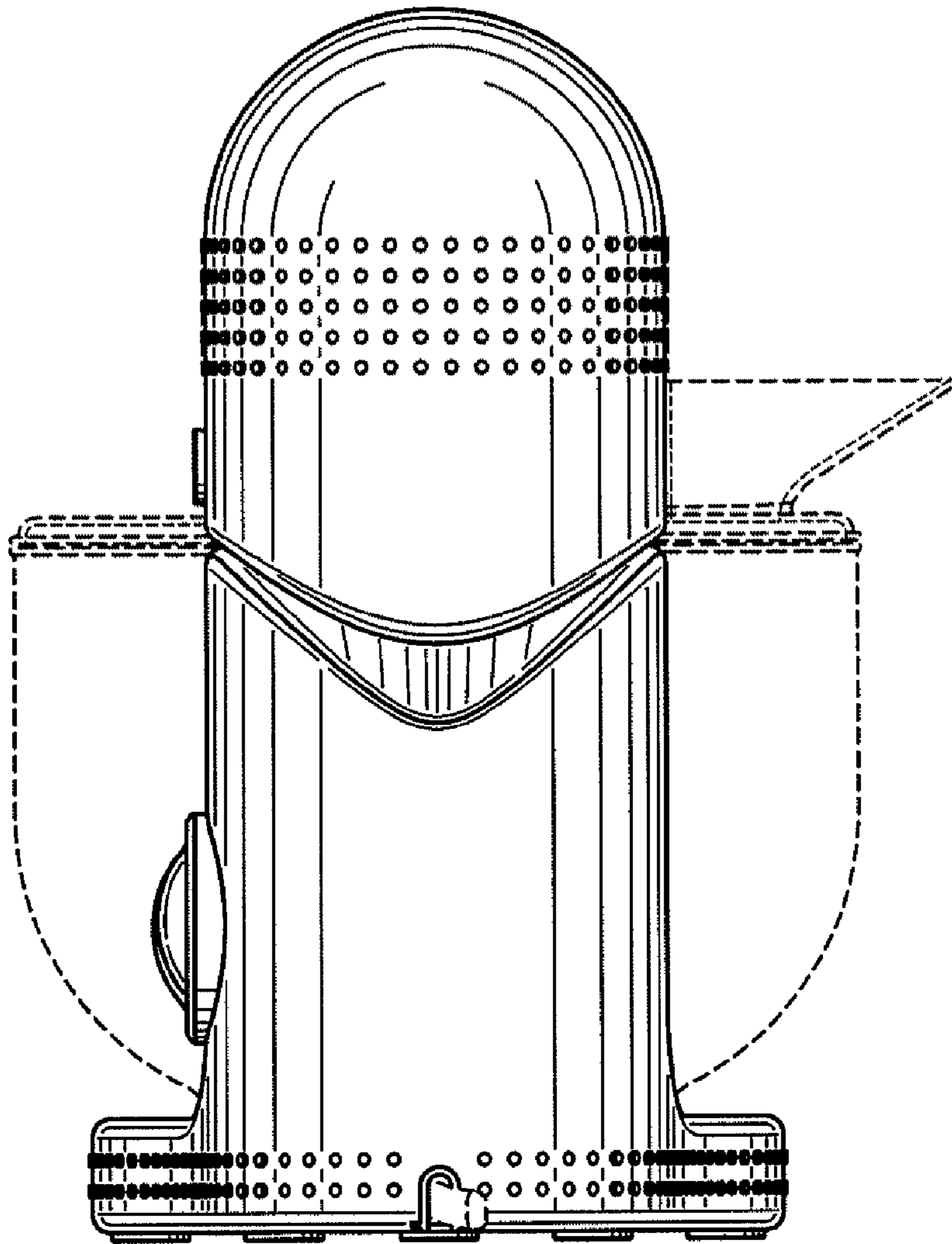


FIG. 5

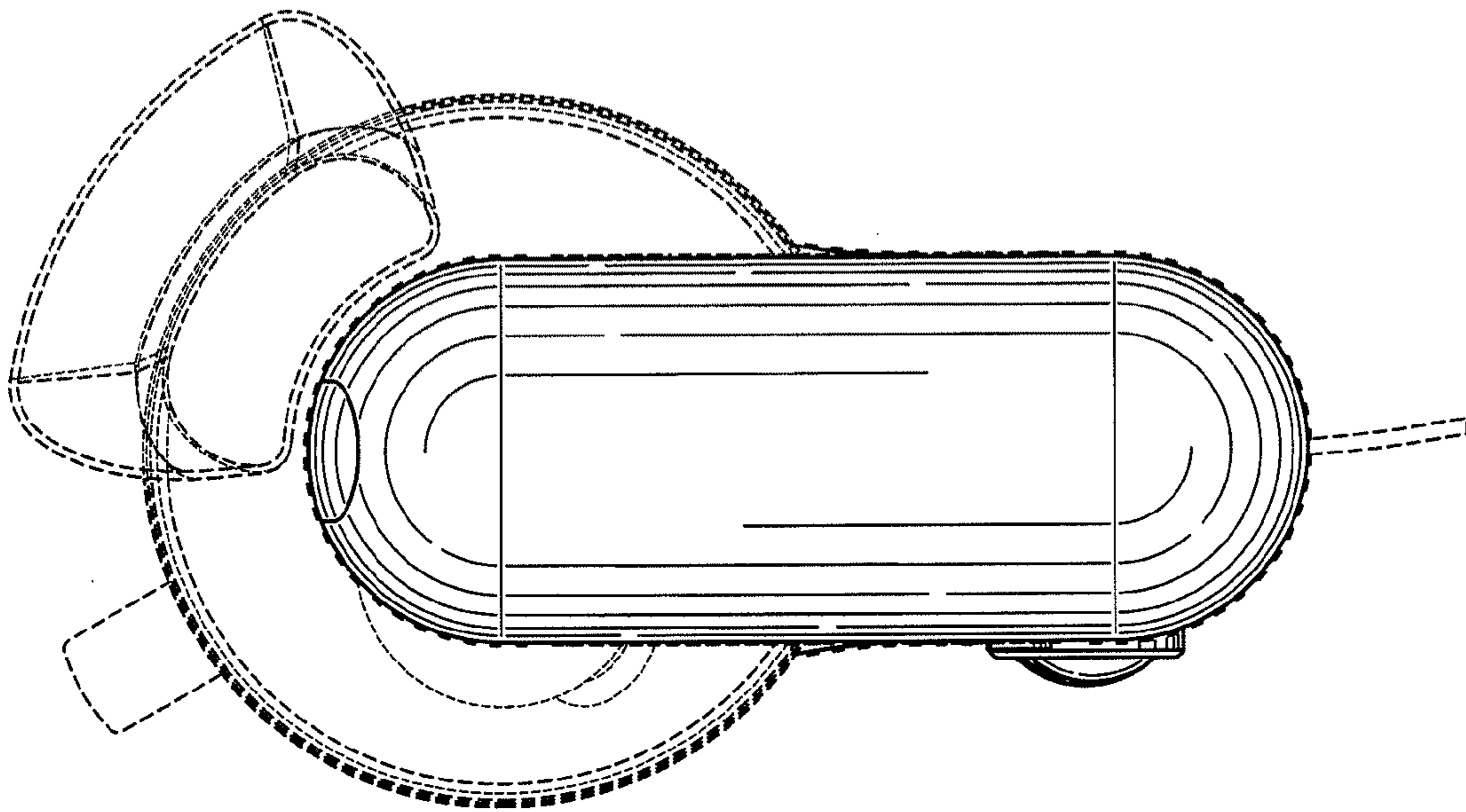


FIG. 6

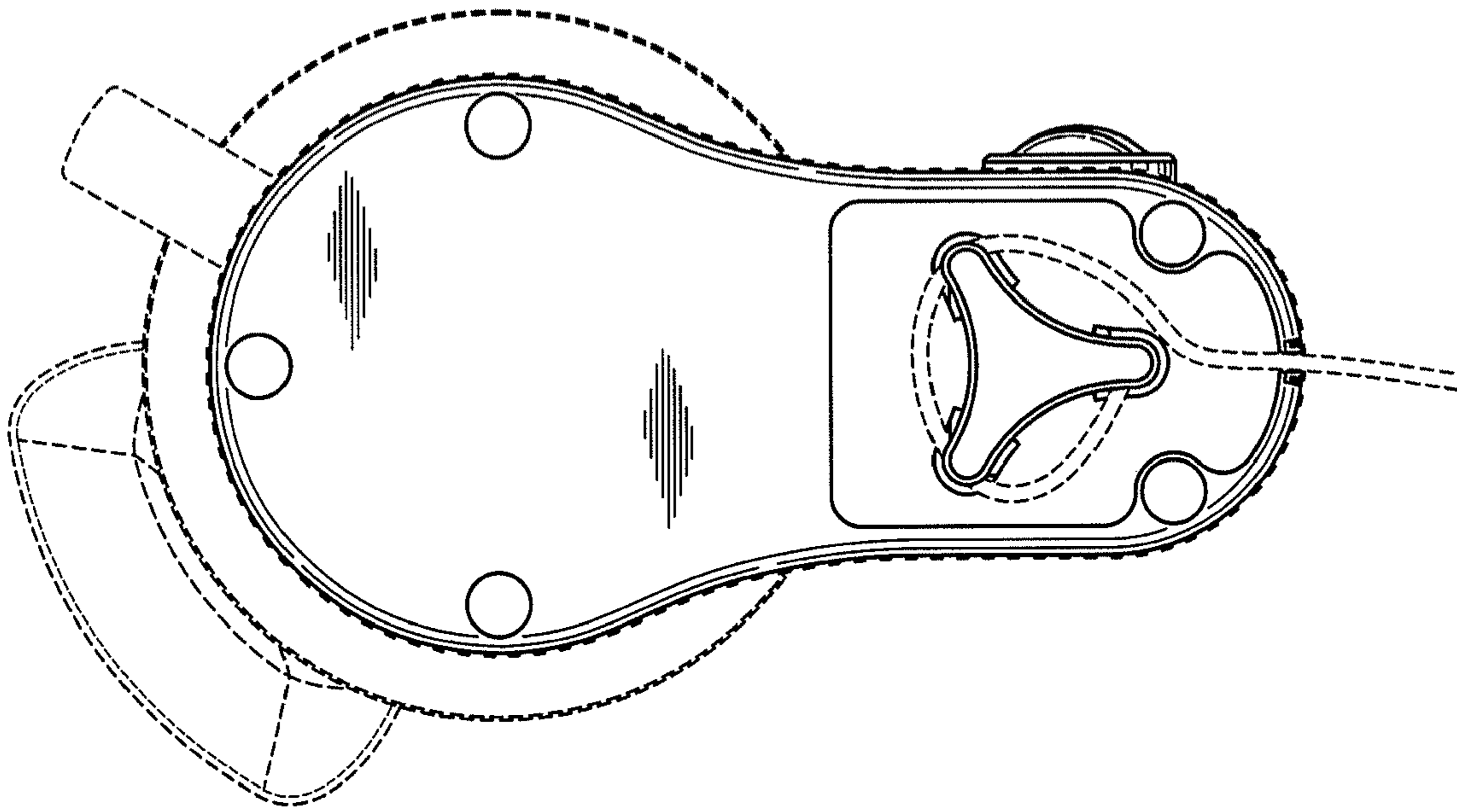


FIG. 7

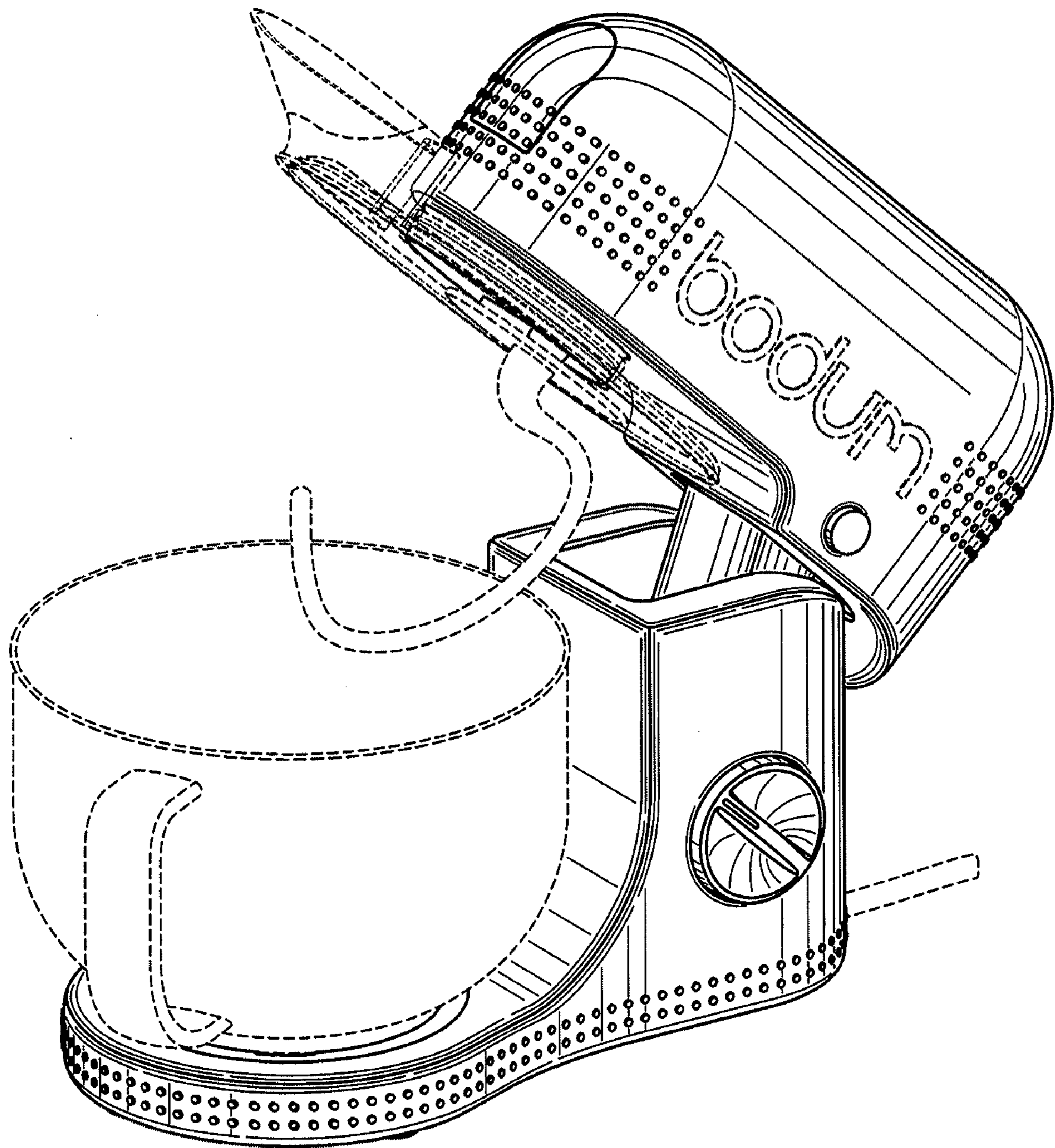


FIG. 8