



US00D654303S

(12) **United States Design Patent**  
**Nordwall**

(10) **Patent No.:** **US D654,303 S**  
(45) **Date of Patent:** **\*\* Feb. 21, 2012**

(54) **MIXER**

(75) Inventor: **Joachim Nordwall**, Djursholm (SE)

(73) Assignee: **AB Electrolux**, Stockholm (SE)

(\*\*) Term: **14 Years**

(21) Appl. No.: **29/343,396**

(22) Filed: **Sep. 11, 2009**

(30) **Foreign Application Priority Data**

Mar. 12, 2009 (EM) ..... 001104137

(51) **LOC (9) Cl.** ..... **07-02**

(52) **U.S. Cl.** ..... **D7/379; D7/376; D7/378**

(58) **Field of Classification Search** ..... D7/305-311,  
D7/317-318, 368, 372, 376-386, 391, 412-415,  
D7/607, 665; 99/326, 348, 508-511; 241/30-37.5,  
241/101.01-101.2, 166-169.1, 282.2, 285.1-285.3,  
241/291, 292.1; 248/309.2; 366/64-67,  
366/98, 129, 142, 197-211, 241-254, 279-292,  
366/341-347; 416/75-76, 70 R, 163  
See application file for complete search history.

(56) **References Cited**

**U.S. PATENT DOCUMENTS**

D209,461 S \* 12/1967 Clough ..... D7/379  
D278,506 S \* 4/1985 Kafka ..... D7/376

4,575,255 A \* 3/1986 Kafka ..... 366/129  
D292,166 S \* 10/1987 McCloskey ..... D7/379  
D390,415 S \* 2/1998 Hippen et al. .... D7/412  
D392,505 S \* 3/1998 Tanaka et al. .... D7/379  
5,979,850 A \* 11/1999 Hippen et al. .... 248/309.2  
D462,569 S \* 9/2002 Chin ..... D7/376  
D511,930 S \* 11/2005 Wong ..... D7/376  
D572,075 S \* 7/2008 Wong ..... D7/376  
D577,546 S \* 9/2008 Ferraby ..... D7/412  
D579,271 S \* 10/2008 Ferraby ..... D7/412  
D581,725 S \* 12/2008 Wong ..... D7/376

\* cited by examiner

*Primary Examiner* — Ricky Pham

(74) *Attorney, Agent, or Firm* — Pearne & Gould LLP

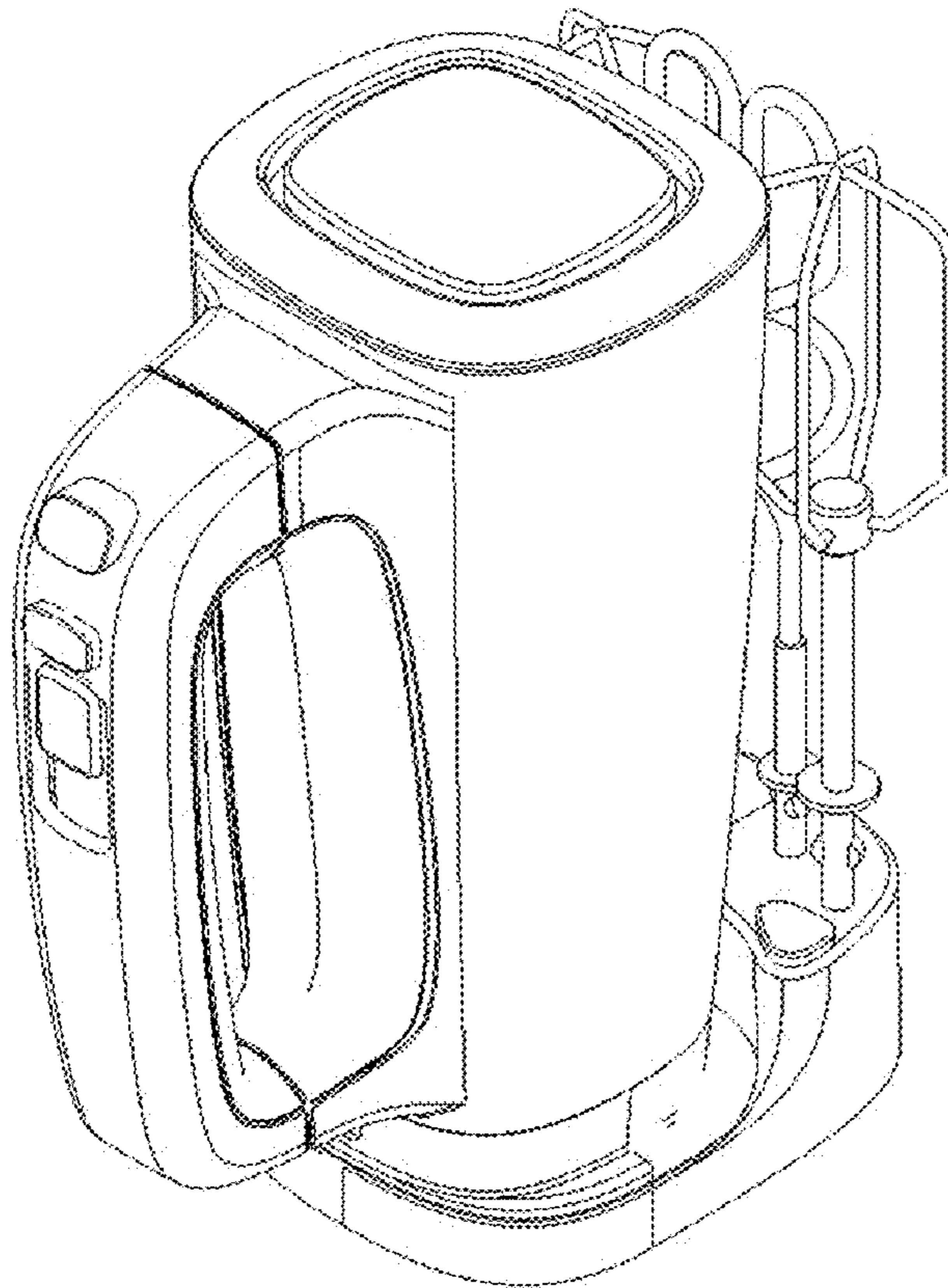
(57) **CLAIM**

The ornamental design for a mixer, as shown and described.

**DESCRIPTION**

FIG. 1 is an isometric view of a mixer according to a first embodiment of my new invention;  
FIG. 2 is a front view thereof;  
FIG. 3 is a top view thereof;  
FIG. 4 is a bottom view thereof;  
FIG. 5 is a left view thereof;  
FIG. 6 is a right view thereof; and,  
FIG. 7 is a rear view thereof.

**1 Claim, 7 Drawing Sheets**



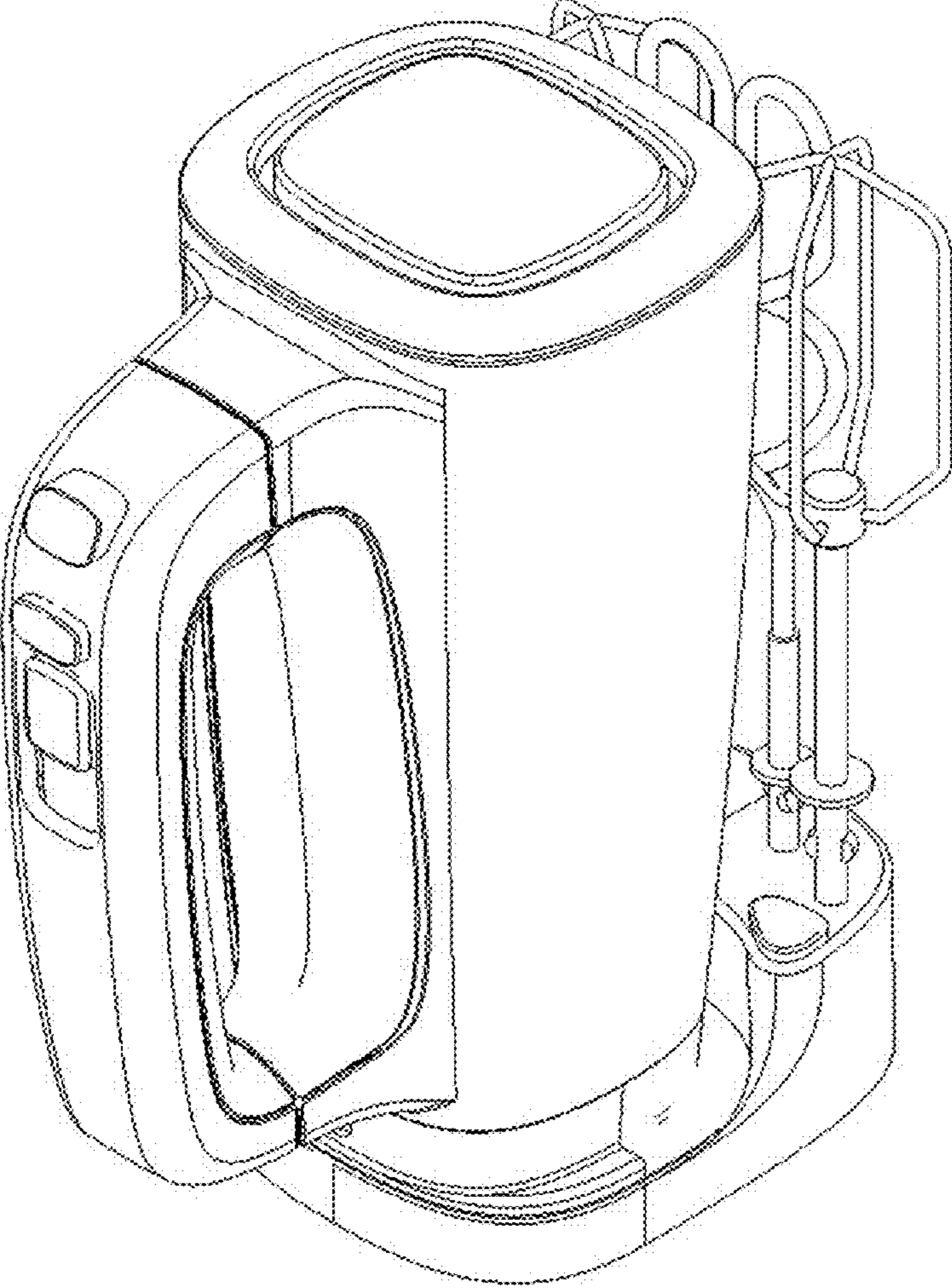


FIG. 1

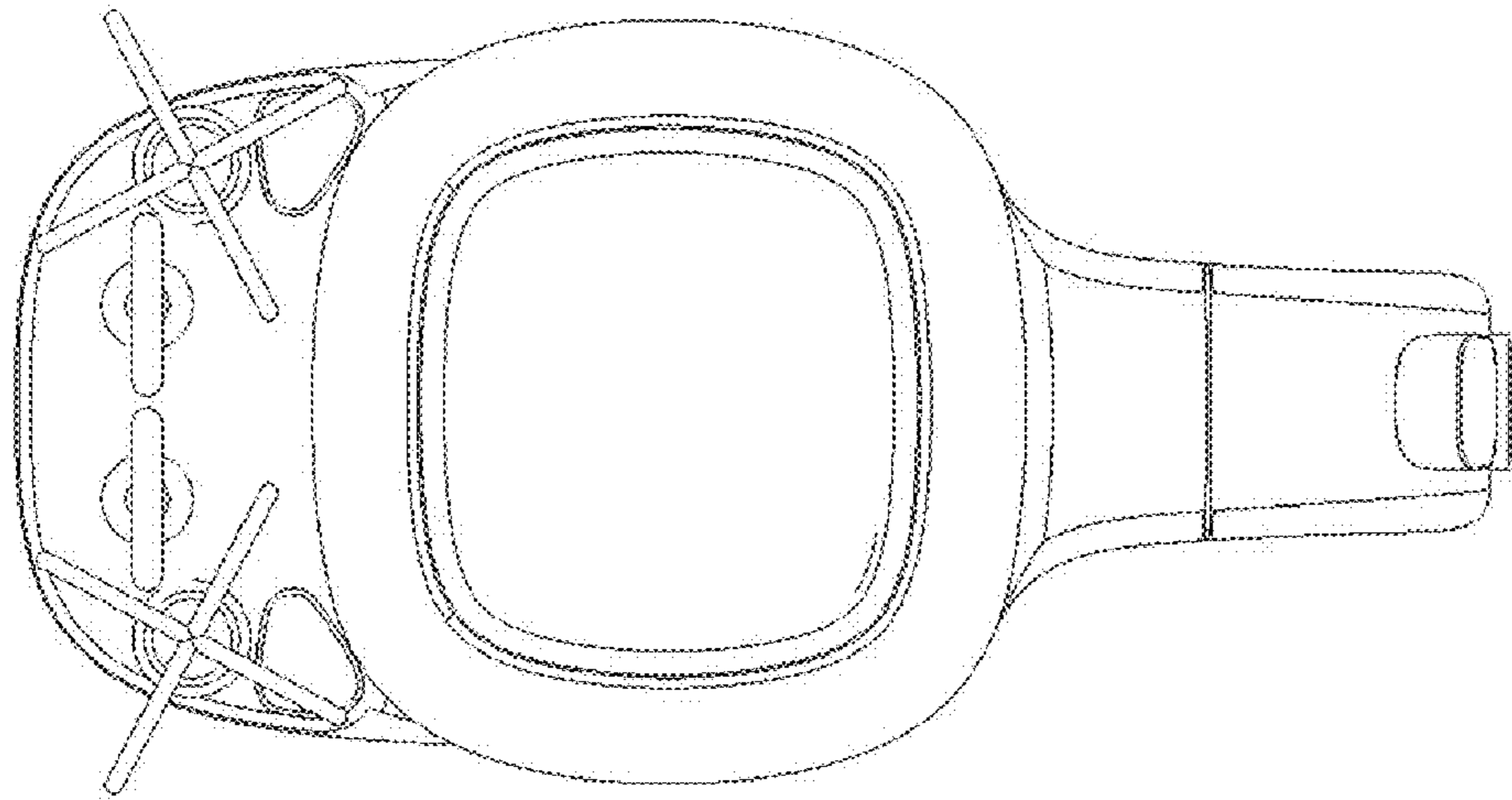


FIG. 2

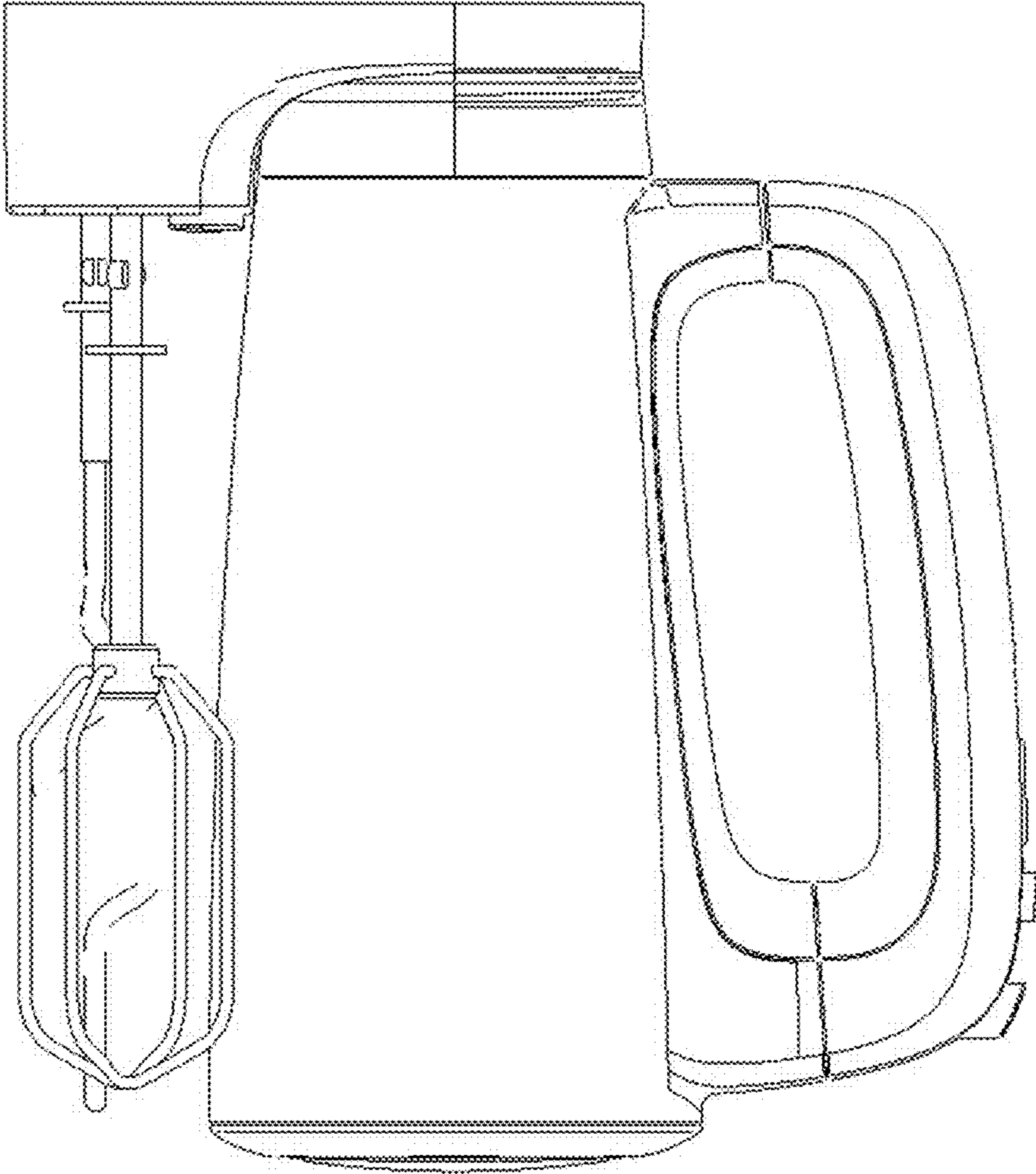


FIG. 3

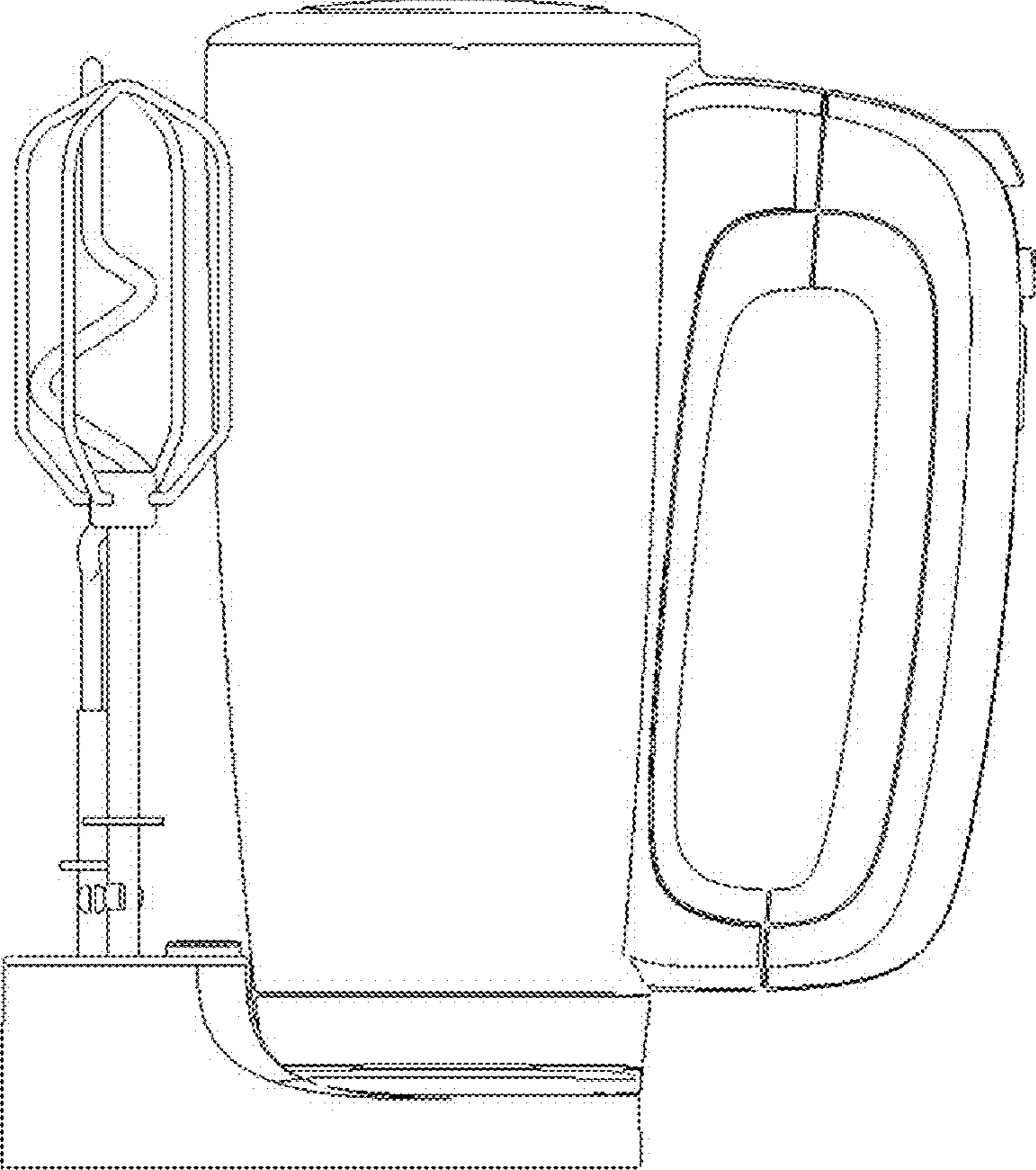


FIG. 4

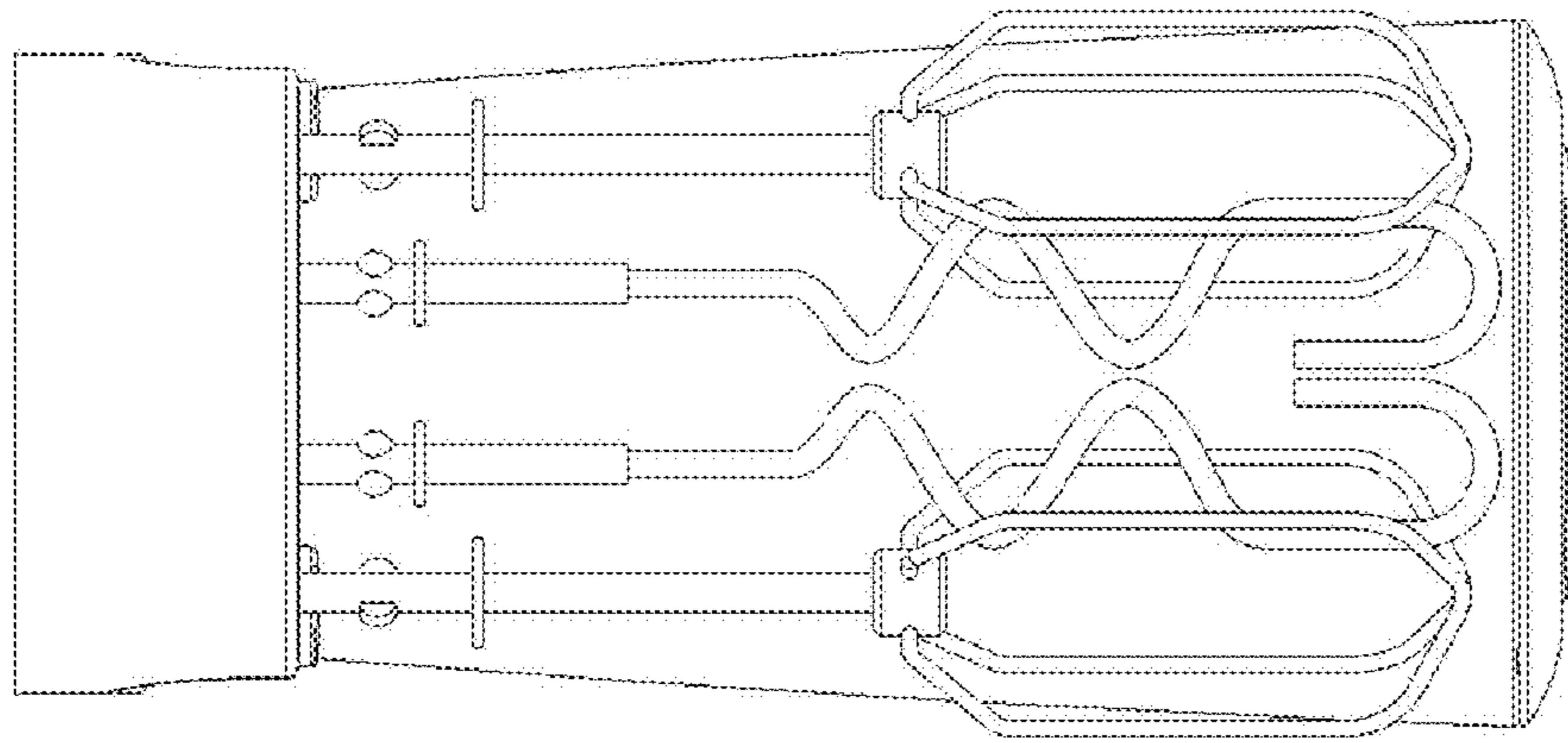


FIG. 5

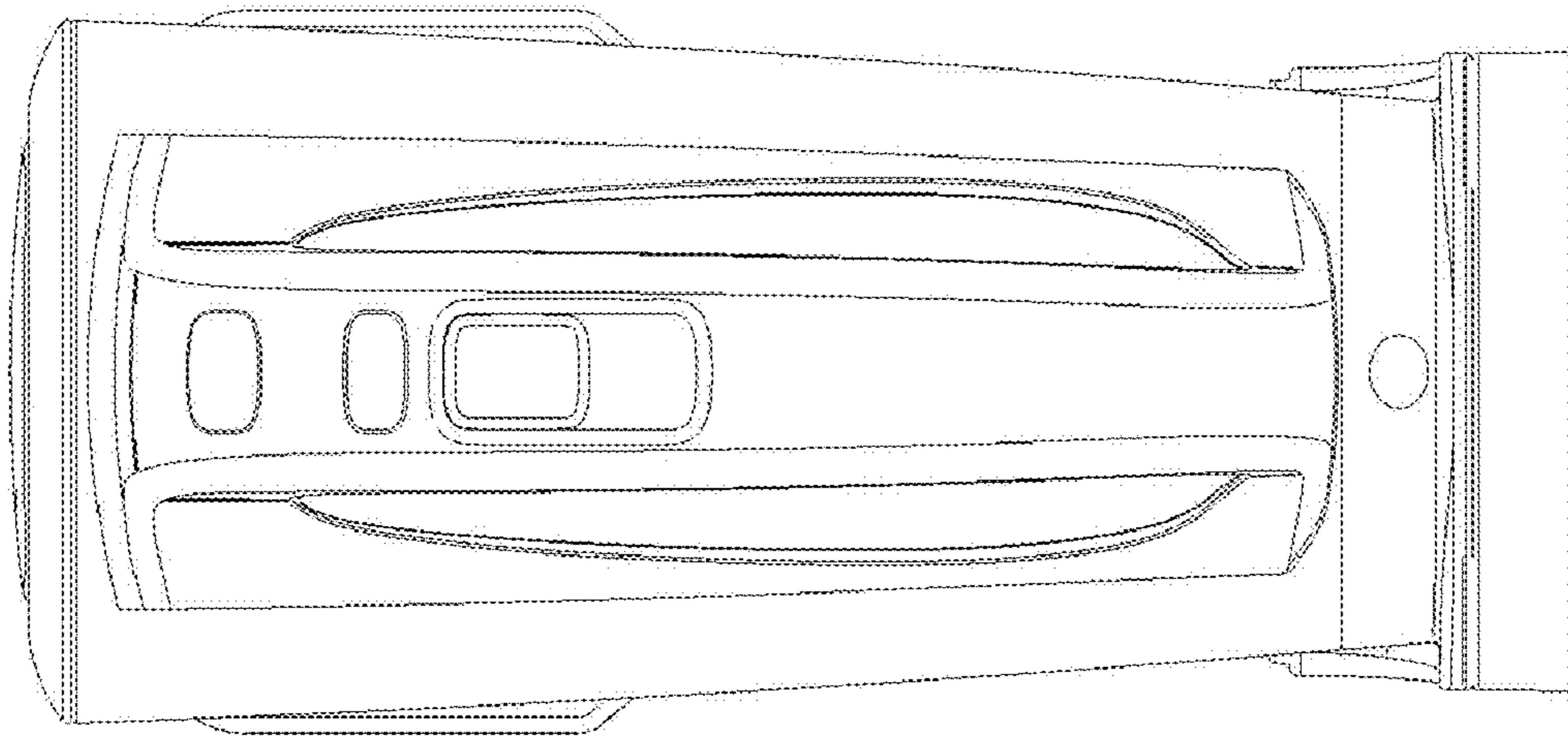


FIG. 6

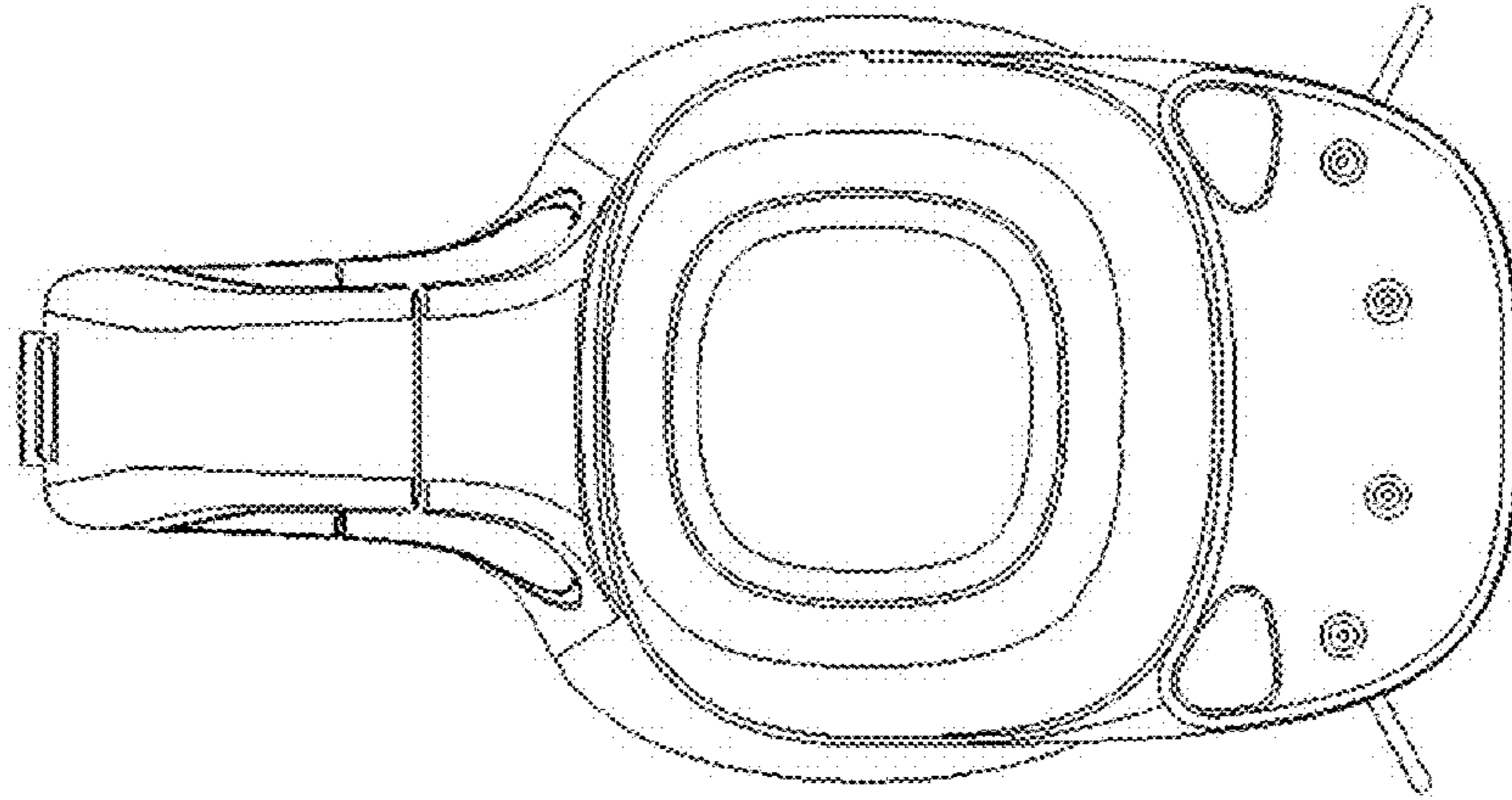


FIG. 7