



US00D654302S

(12) **United States Design Patent**
Shepherd

(10) **Patent No.:** **US D654,302 S**

(45) **Date of Patent:** **** Feb. 21, 2012**

(54) **WASTE DISPOSER**

(75) Inventor: **Todd Shepherd**, Heshan (CN)

(73) Assignee: **Niro Plan AG**, Aarburg (CH)

(**) Term: **14 Years**

(21) Appl. No.: **29/360,512**

(22) Filed: **Apr. 27, 2010**

(51) **LOC (9) Cl.** **31-00**

(52) **U.S. Cl.** **D7/375**

(58) **Field of Classification Search** D7/305-313,
D7/317-318, 368, 372-386, 391, 412-415,
D7/607, 665; 99/326, 348, 508-511; 215/384;
241/30-37.5, 101.01-101.2, 166-169.1,
241/282.2, 285.1-285.3, 291, 292.1; 366/64-67,
366/98, 142, 197-211, 241-254, 279-292,
366/341-347; 416/75-76, 70 R, 163

See application file for complete search history.

(56) **References Cited**

U.S. PATENT DOCUMENTS

D194,128 S *	11/1962	Hawkins	D7/375
D207,918 S *	6/1967	Clark	D7/375
D212,127 S *	8/1968	Smith	D7/375
D237,303 S *	10/1975	Pitts	D7/375
D237,305 S *	10/1975	Pitts	D7/375
D237,306 S *	10/1975	Pitts	D7/375
4,717,031 A *	1/1988	Hewson	215/384
D431,752 S *	10/2000	Brandel et al.	D7/375

D454,467 S *	3/2002	Magermans et al.	D7/313
D526,827 S *	8/2006	Allen et al.	D7/306
D534,760 S *	1/2007	Patterson et al.	D7/375
D535,518 S *	1/2007	Patterson et al.	D7/375

OTHER PUBLICATIONS

InSinkErator® product catalogue, 2009. http://www.insikerator.com/excel/grind_more_hear_less.shtml.
<http://www.frankeconsumerproducts.com/printproduct.php?prodid=460>.

* cited by examiner

Primary Examiner — Ricky Pham

(74) *Attorney, Agent, or Firm* — Volpe and Koenig, P.C.

(57) **CLAIM**

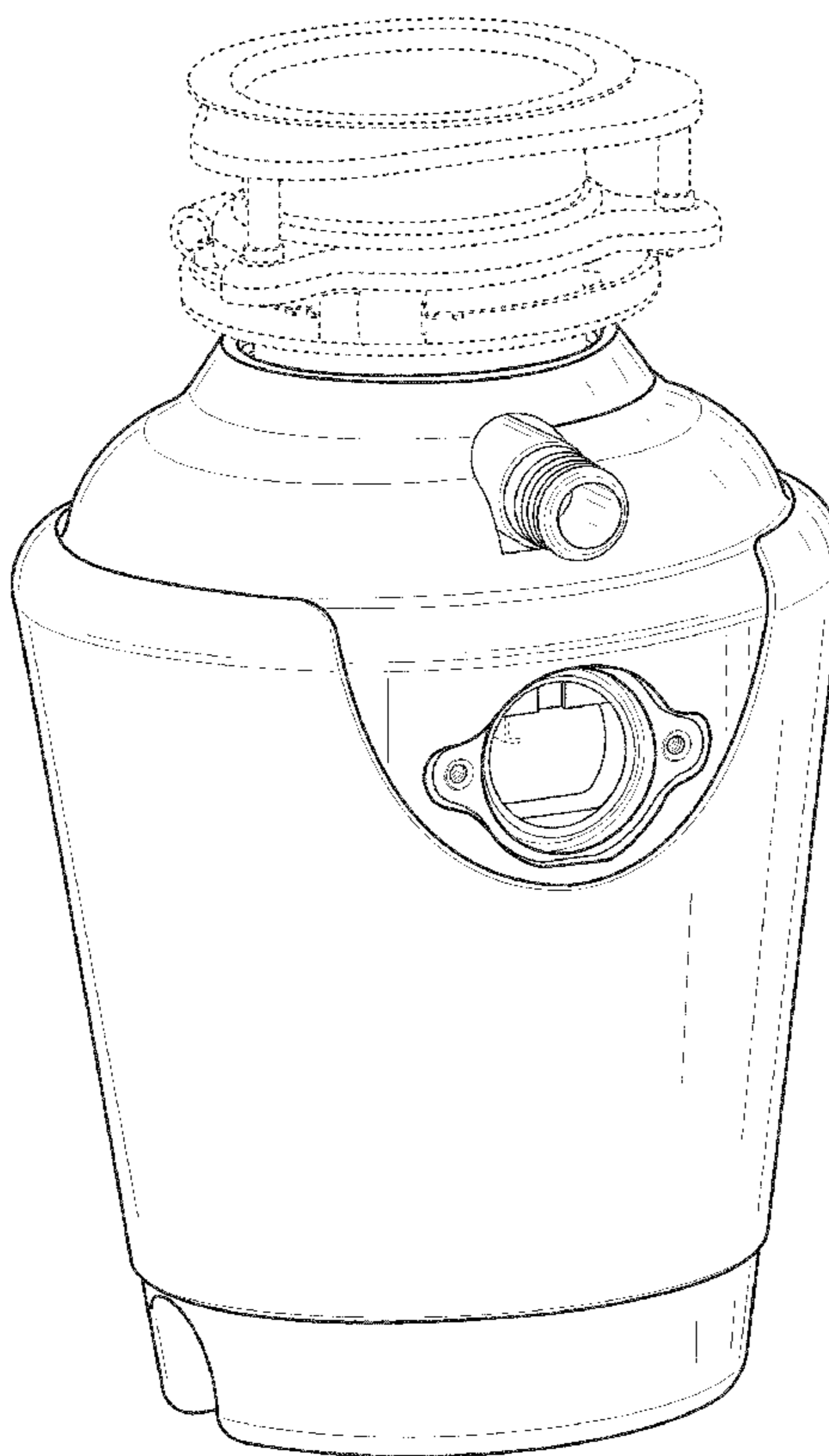
The ornamental design for a waste disposer, as shown and described.

DESCRIPTION

FIG. 1 is a top, left, front perspective view of the waster disposer in accordance with my design;
FIG. 2 is a front elevational view thereof;
FIG. 3 is a rear elevational view thereof;
FIG. 4 is a left side elevational view thereof;
FIG. 5 is a right side elevational view thereof;
FIG. 6 is a top plan view thereof; and,
FIG. 7 is a bottom view thereof.

The broken lines shown form no part of the claimed design.

1 Claim, 7 Drawing Sheets



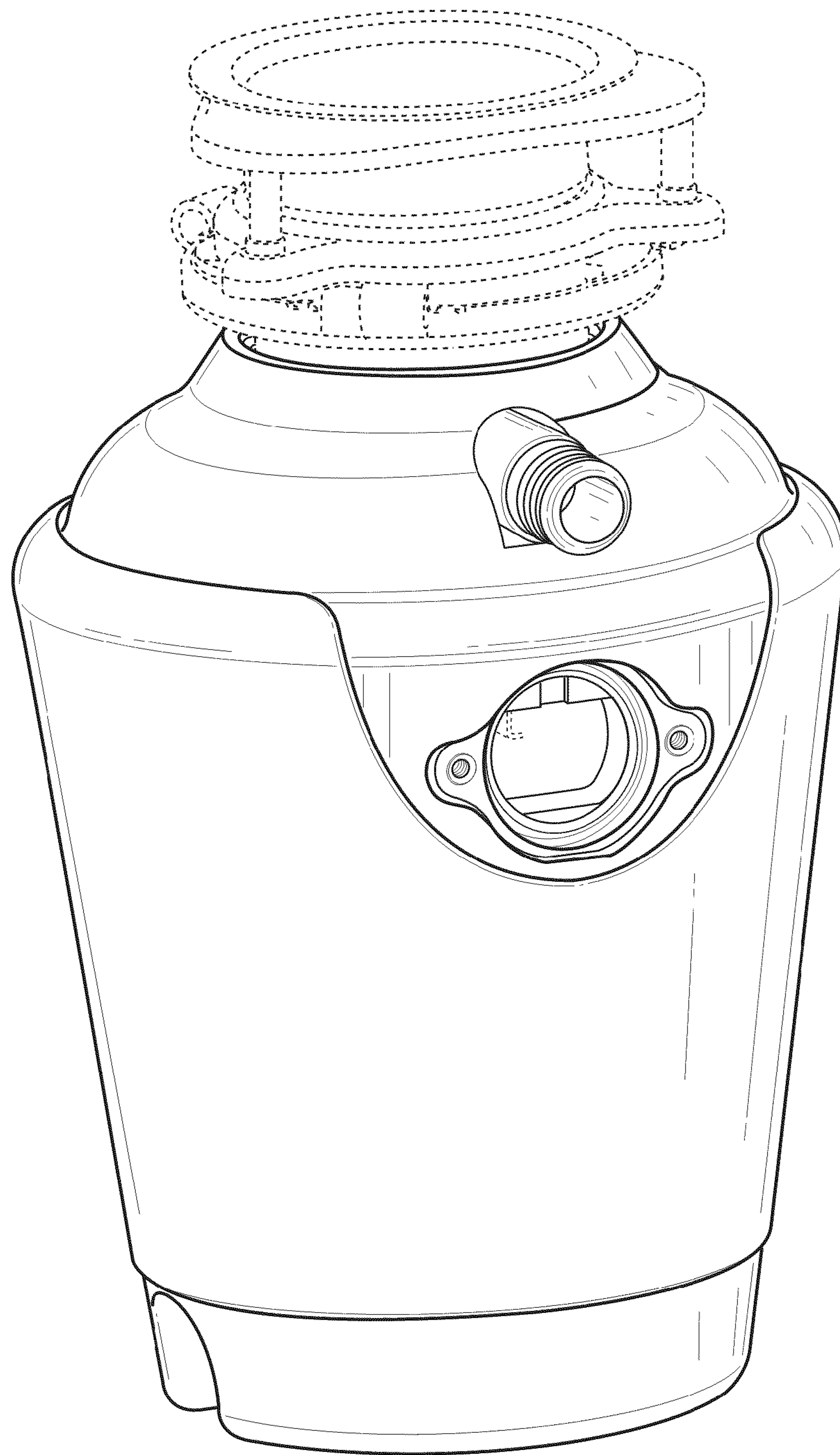


FIG. 1

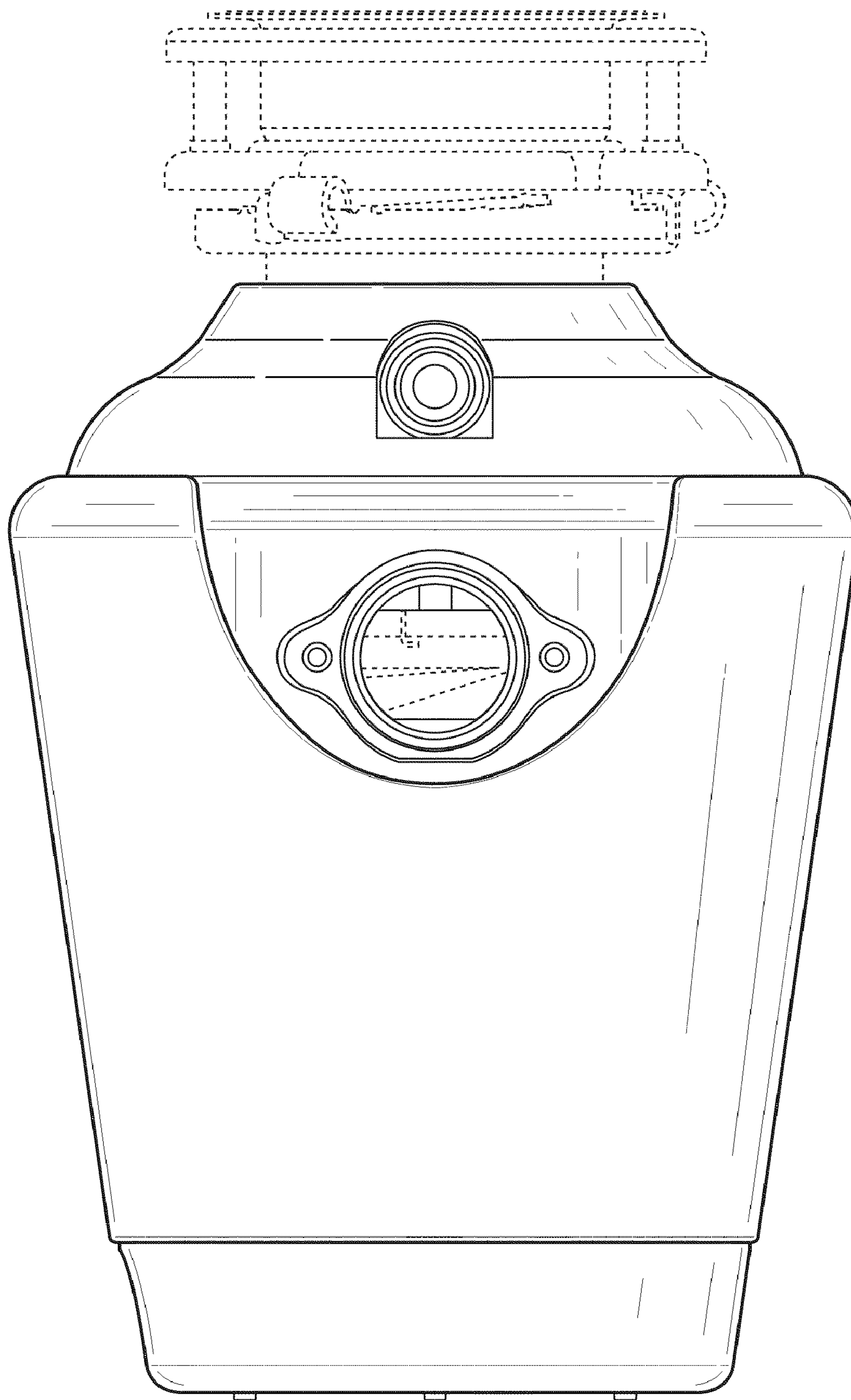


FIG. 2

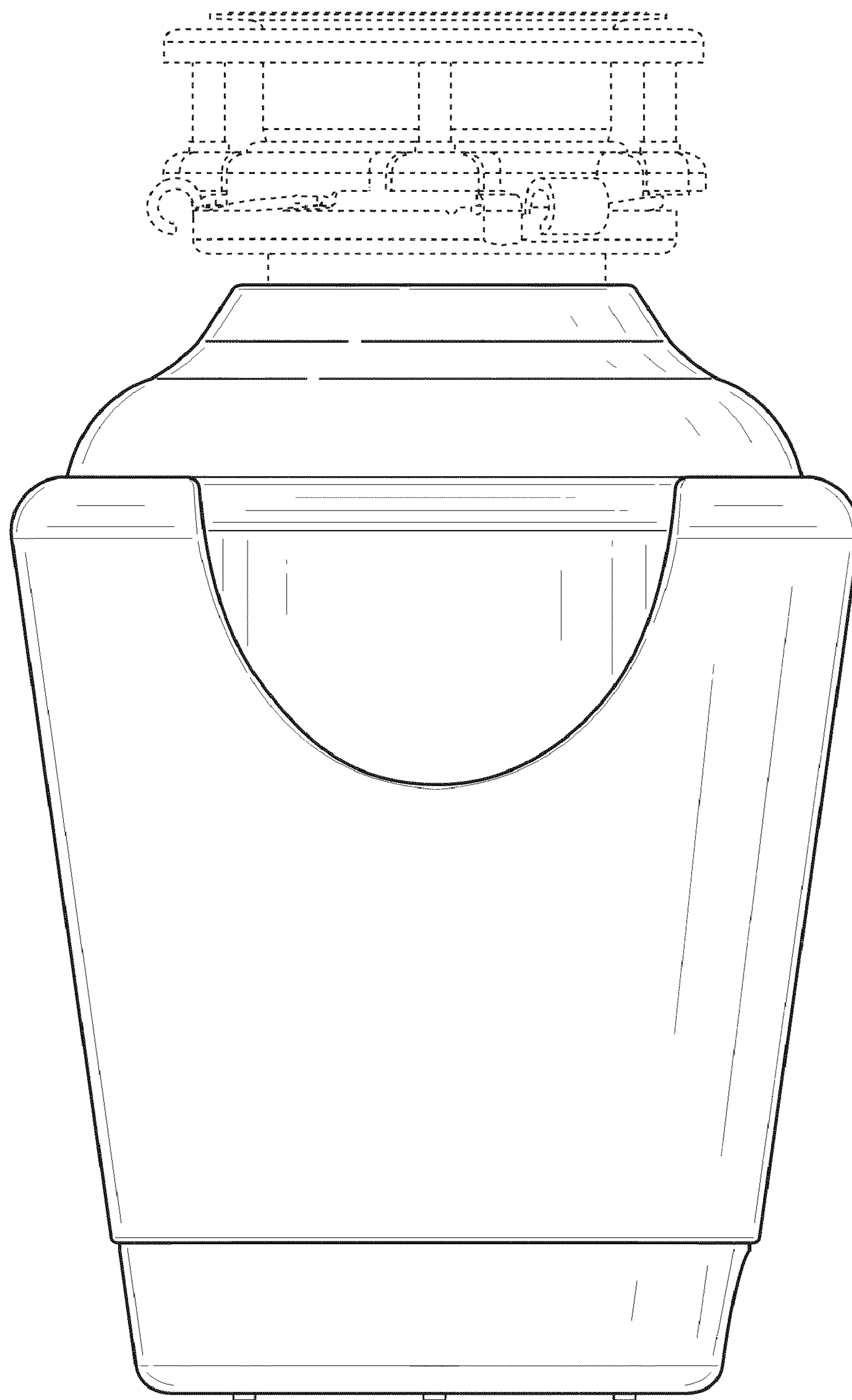


FIG. 3

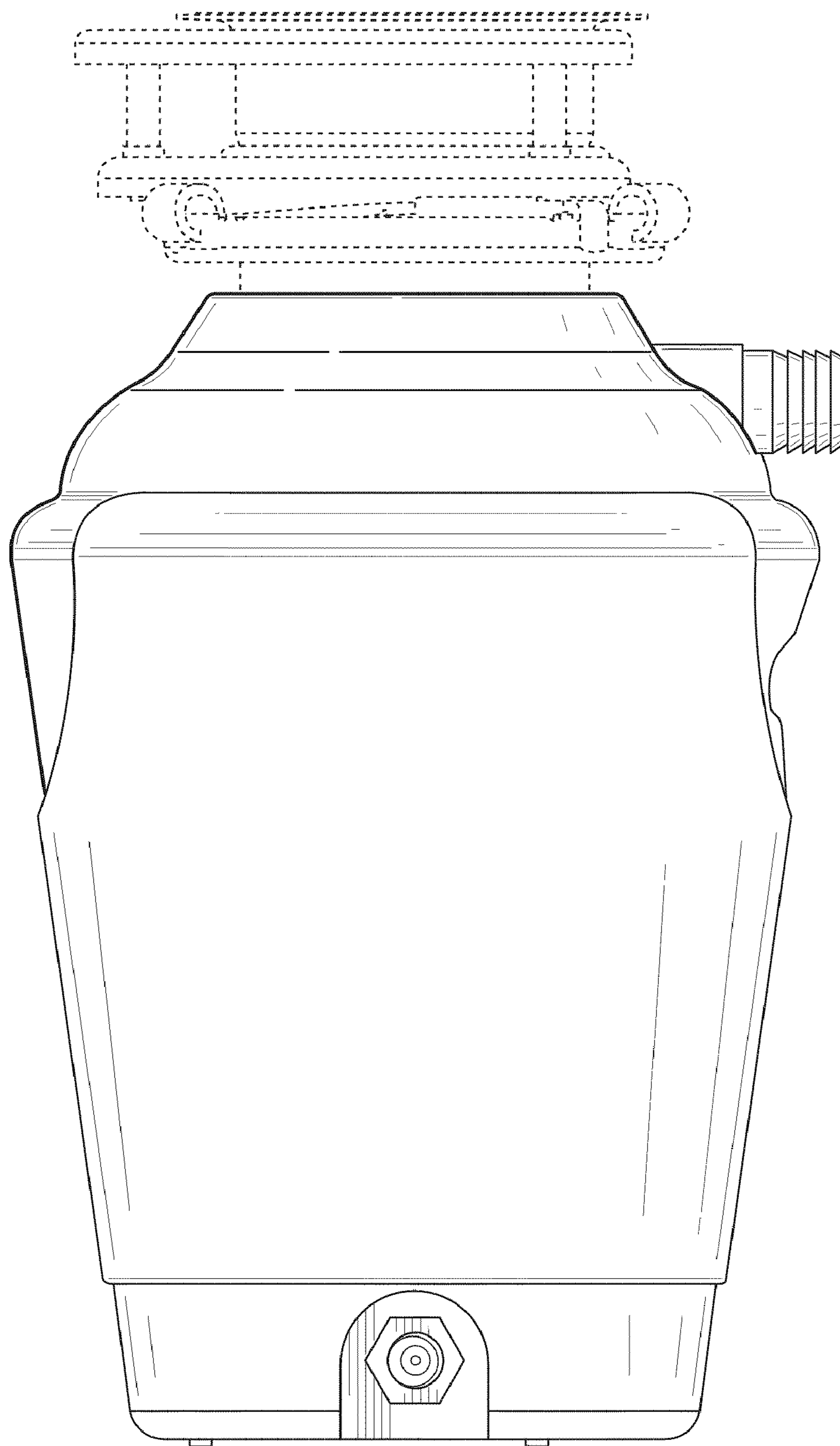


FIG. 4

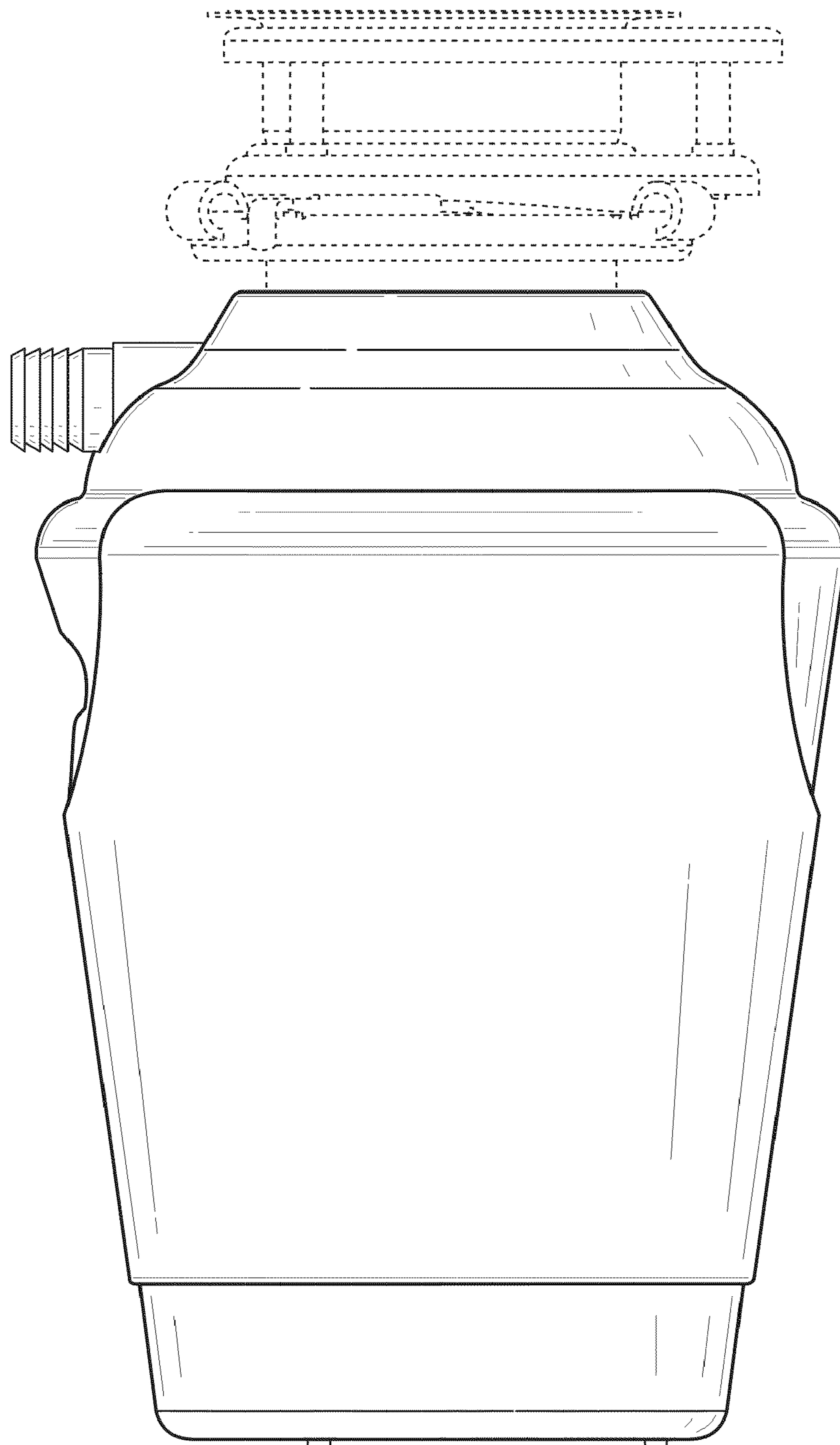


FIG. 5

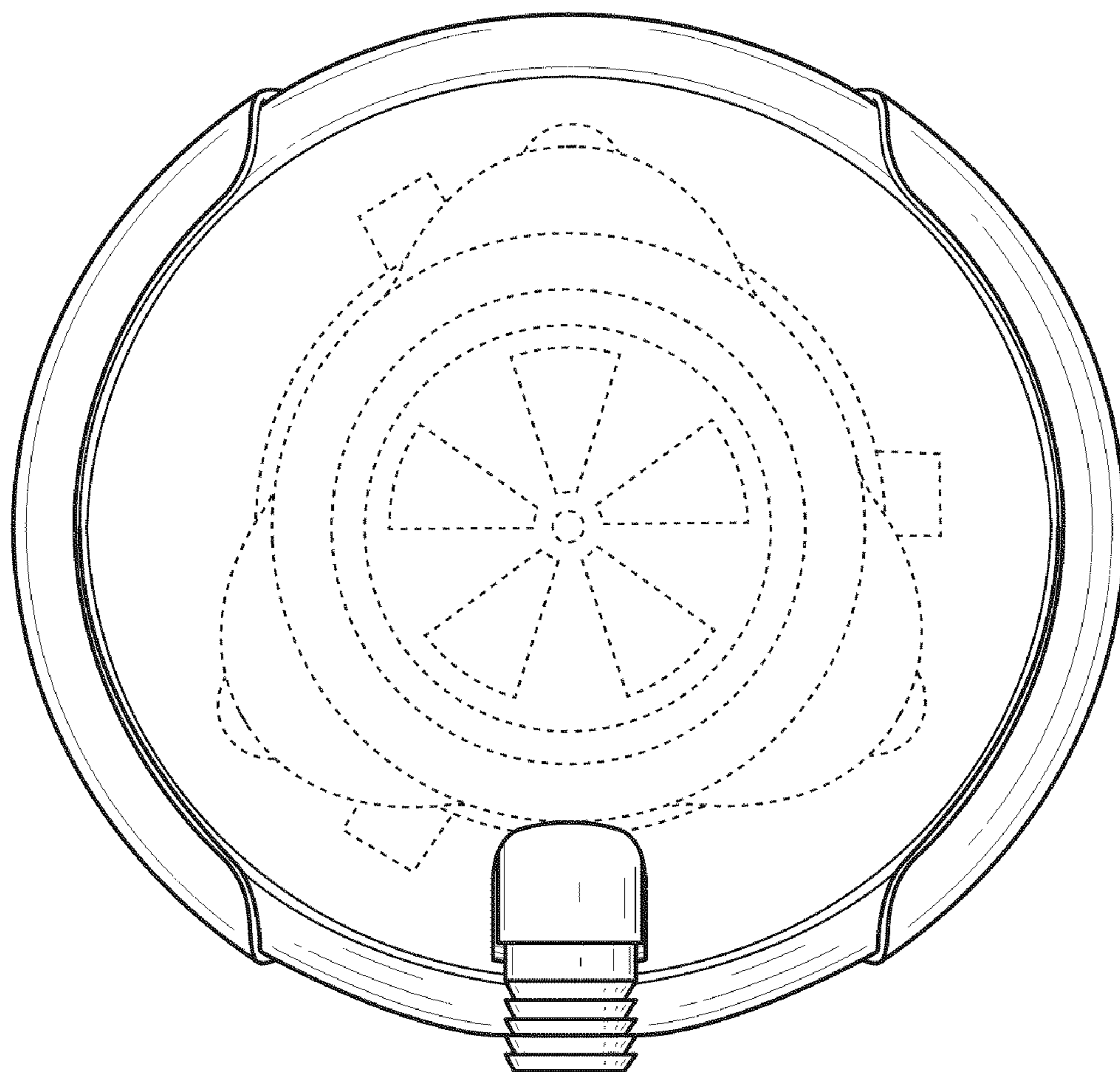


FIG. 6

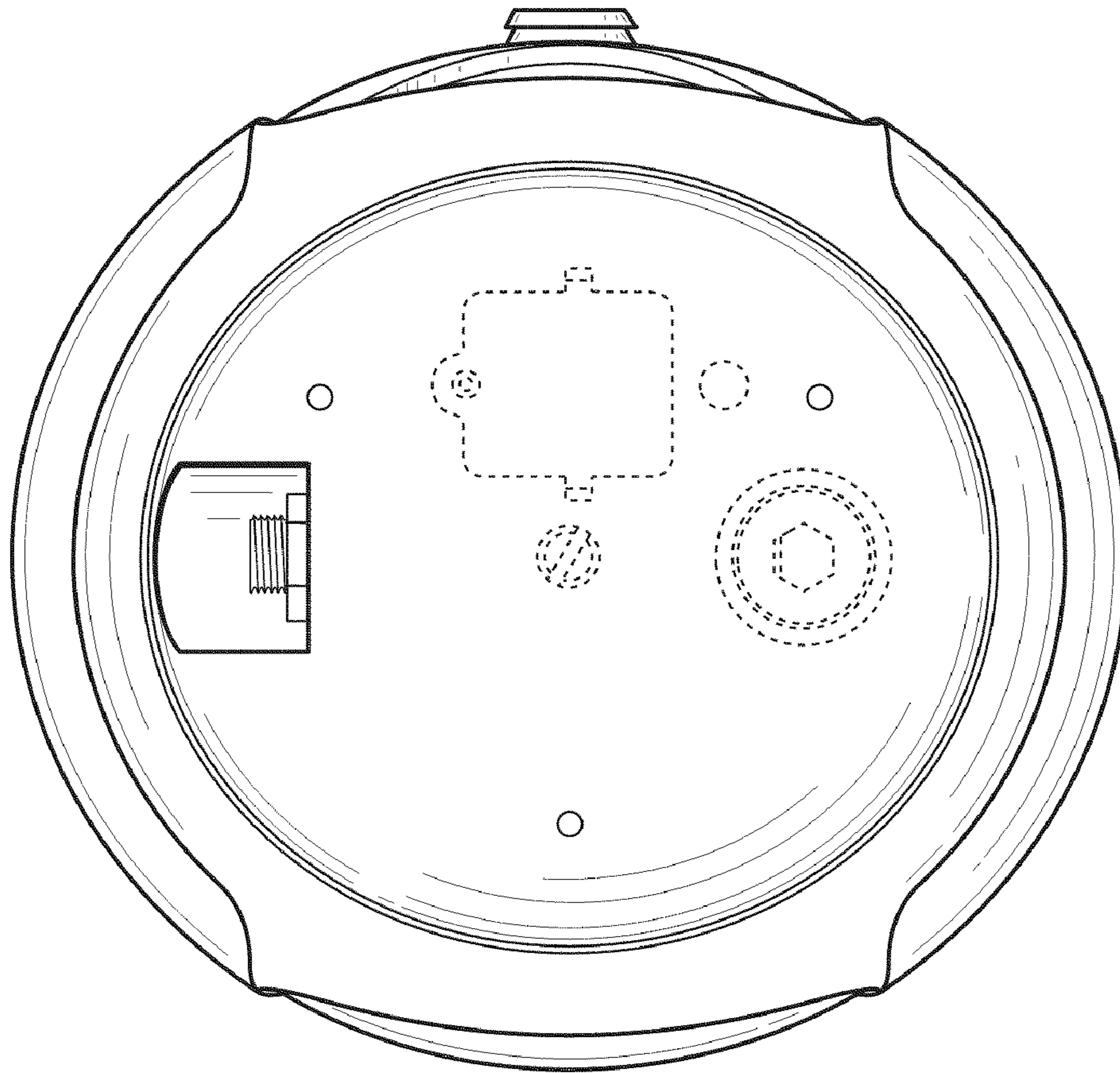


FIG. 7