



US00D654299S

(12) **United States Design Patent**
Benold

(10) **Patent No.:** **US D654,299 S**

(45) **Date of Patent:** **** Feb. 21, 2012**

(54) **OVEN**

(75) **Inventor:** **Frank Benold, Porcia (IT)**

(73) **Assignee:** **Electrolux Home Products Corporation N.V. (BE)**

(**) **Term:** **14 Years**

(21) **Appl. No.:** **29/367,972**

(22) **Filed:** **Aug. 16, 2010**

(30) **Foreign Application Priority Data**

Feb. 15, 2010 (EM) 001670019

(51) **LOC (9) Cl.** **07-02**

(52) **U.S. Cl.** **D7/350.1**

(58) **Field of Classification Search** D7/350.1-350.4,
D7/351, 402; 219/756-758, 391, 393, 395,
219/401; 126/19 M, 275 E; 99/348, 353,
99/367, 468

See application file for complete search history.

(56) **References Cited**

U.S. PATENT DOCUMENTS

D173,817 S	1/1955	Pavlak et al.	
3,923,037 A	12/1975	Donato	
3,924,601 A	12/1975	Nuss	
D366,983 S	2/1996	Leukhardt et al.	
D374,372 S	10/1996	Holbrook, Jr.	
D379,734 S	6/1997	Baldwin	
D405,311 S	2/1999	Holbrook, Jr.	
D428,304 S *	7/2000	Holbrook	D7/405
D462,867 S	9/2002	Resuello et al.	
D468,579 S	1/2003	Sakai et al.	
D468,585 S	1/2003	Resuello et al.	
D468,962 S	1/2003	Jones et al.	
D475,569 S	6/2003	Nichols	
D495,556 S	9/2004	Milrud et al.	

D513,464 S *	1/2006	Kim et al.	D7/406
D516,862 S *	3/2006	Grutzke et al.	D7/405
D521,805 S	5/2006	Hessen et al.	
D524,095 S	7/2006	Pino et al.	
D524,103 S	7/2006	Bradshaw	
D525,476 S	7/2006	Bengtson et al.	
D527,572 S	9/2006	Lee et al.	
D527,948 S	9/2006	Bengtson	
D530,561 S	10/2006	Kim	
D530,979 S *	10/2006	Huxhold et al.	D7/405
D538,105 S *	3/2007	Huxhold et al.	D7/405
D539,591 S	4/2007	Bengtson et al.	
D541,578 S	5/2007	Jeon	
D555,975 S	11/2007	Pino et al.	
D560,958 S	2/2008	Shin et al.	
D566,465 S	4/2008	Crookshanks	
D568,682 S	5/2008	Crookshanks	
D569,686 S	5/2008	Martin et al.	
D571,149 S	6/2008	Crookshanks	
D572,527 S	7/2008	Crookshanks	
D592,009 S *	5/2009	Crookshanks	D7/405
D612,207 S *	3/2010	Baker et al.	D7/402
D618,488 S *	6/2010	Knochner	D7/350.1

* cited by examiner

Primary Examiner — Ruth McInroy

(74) *Attorney, Agent, or Firm* — Banner & Witcoff, Ltd.

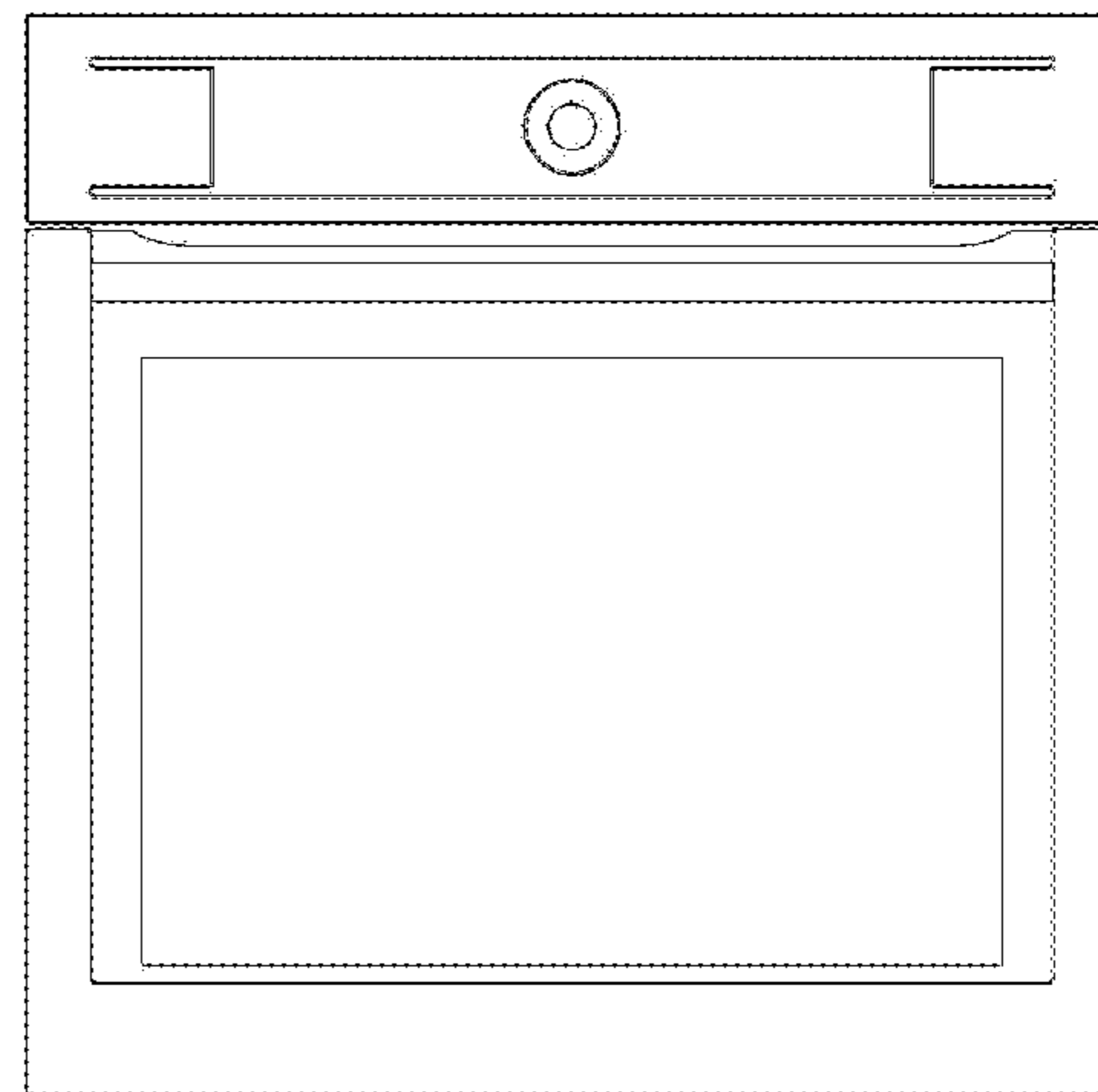
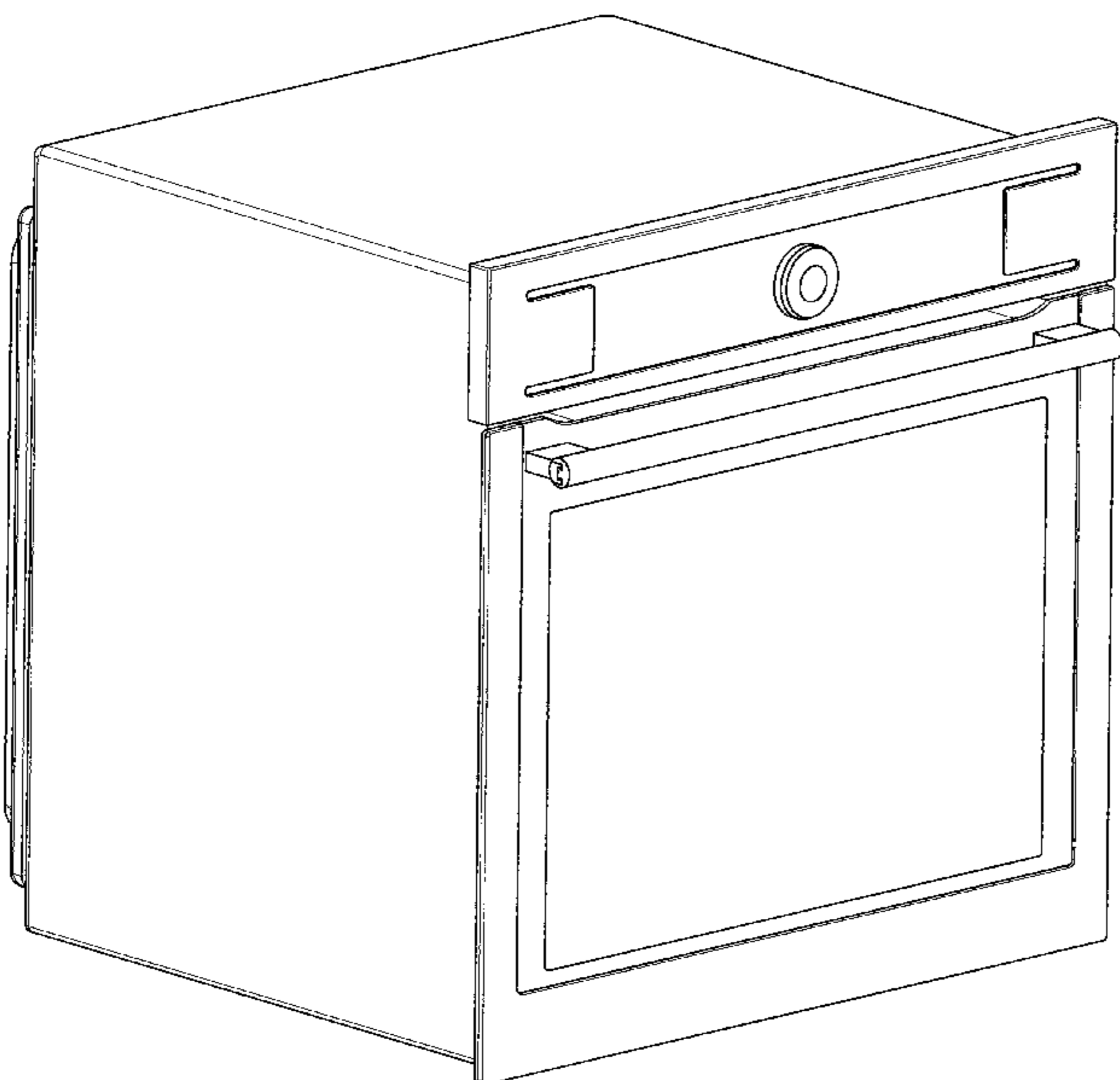
(57) **CLAIM**

The ornamental design for an oven, as shown and described.

DESCRIPTION

FIG. 1 is a perspective view of an oven showing my new design;
FIG. 2 is a front view thereof;
FIG. 3 is a right side view thereof;
FIG. 4 is a left side view thereof;
FIG. 5 is a top view thereof; and,
FIG. 6 is a bottom view thereof.

1 Claim, 6 Drawing Sheets



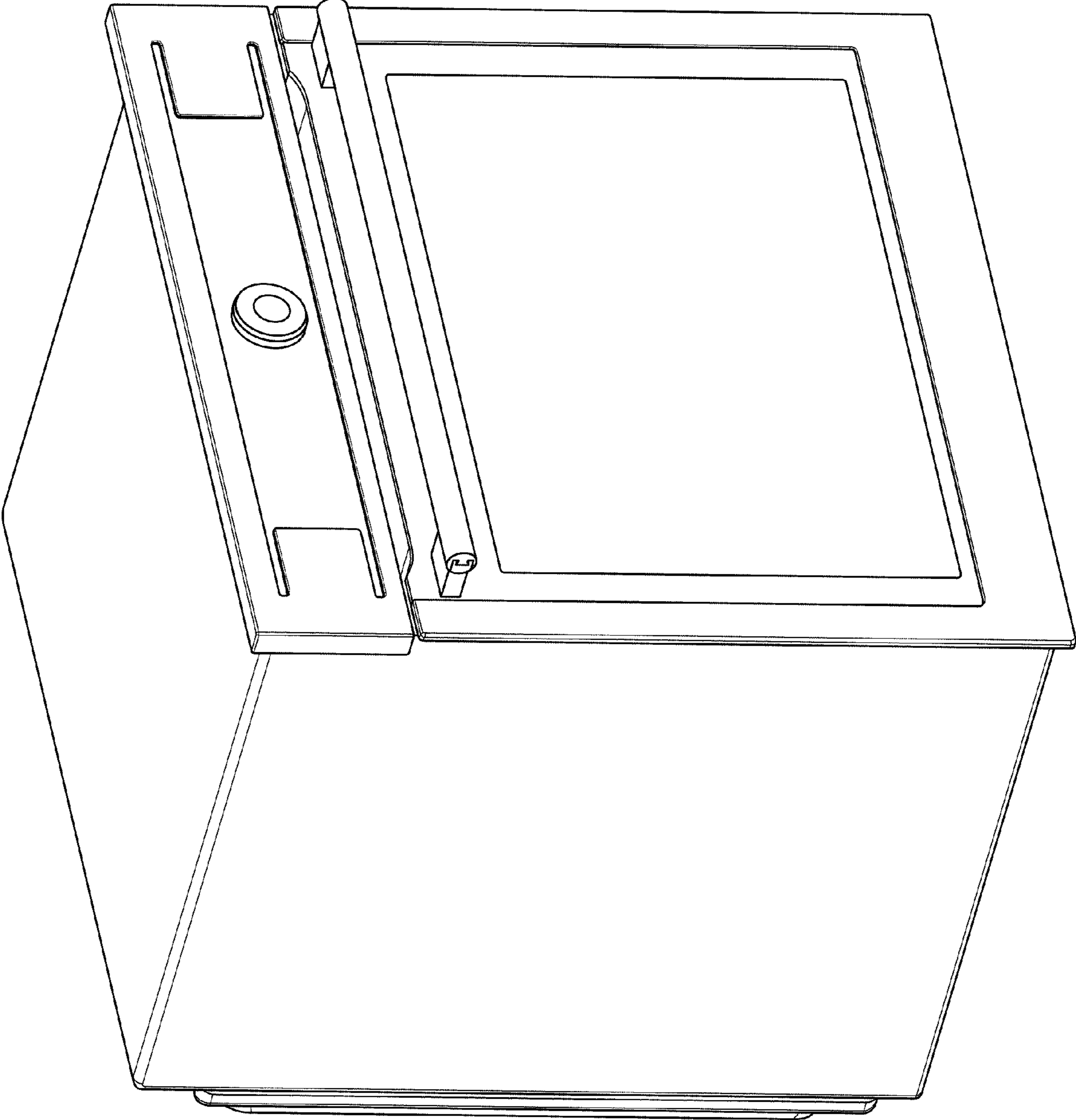


FIG. 1

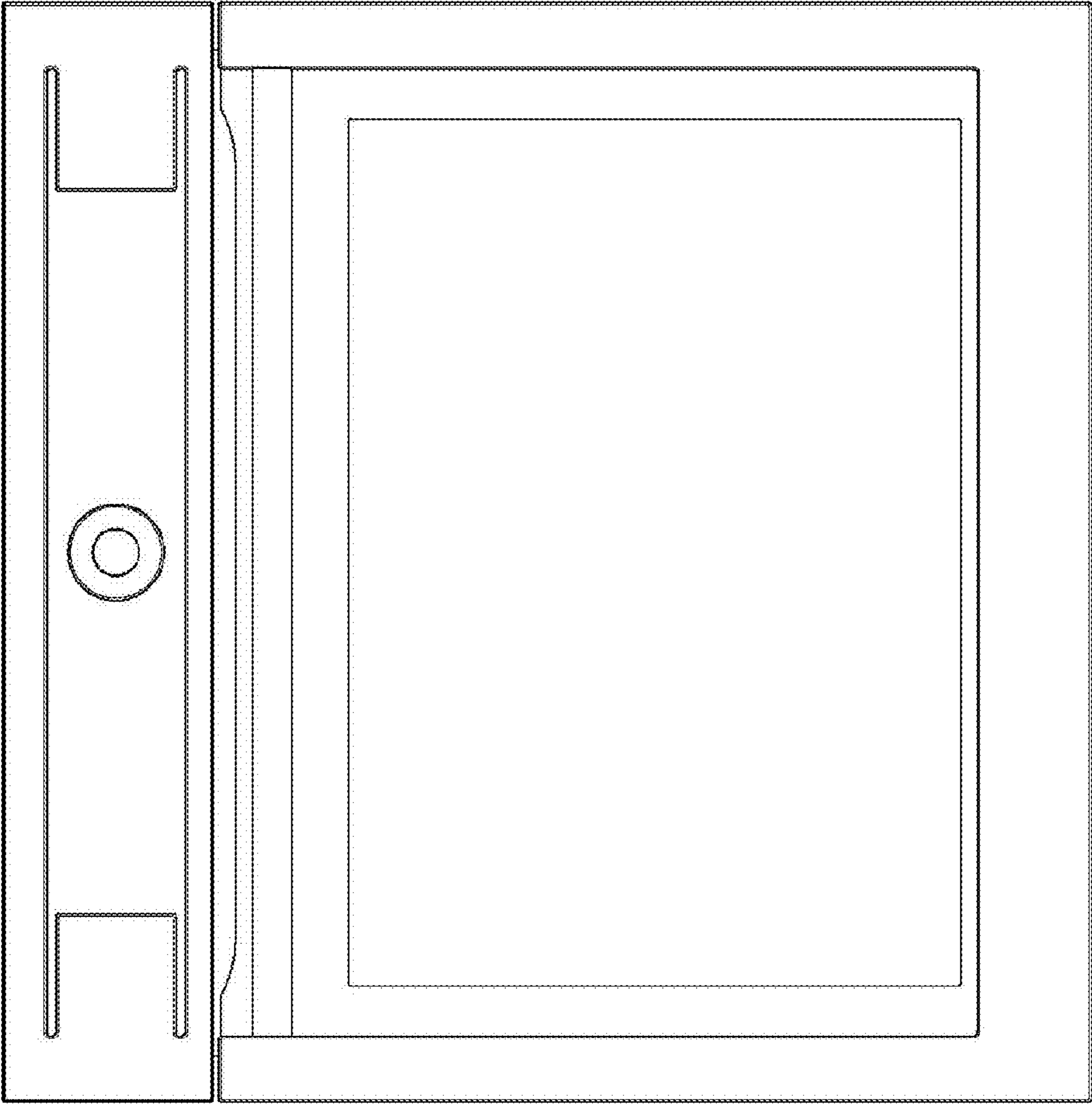


FIG. 2

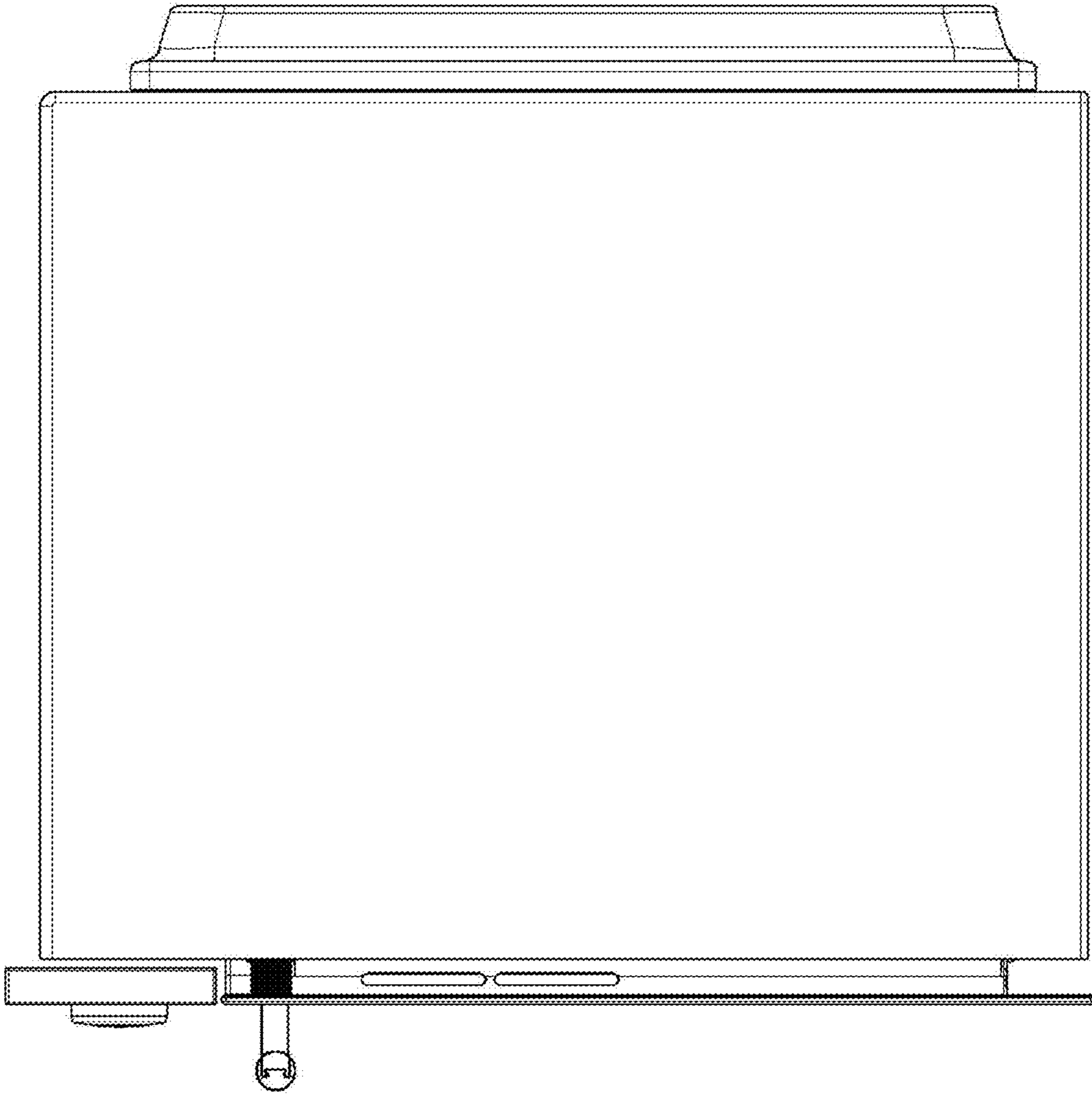


FIG. 3

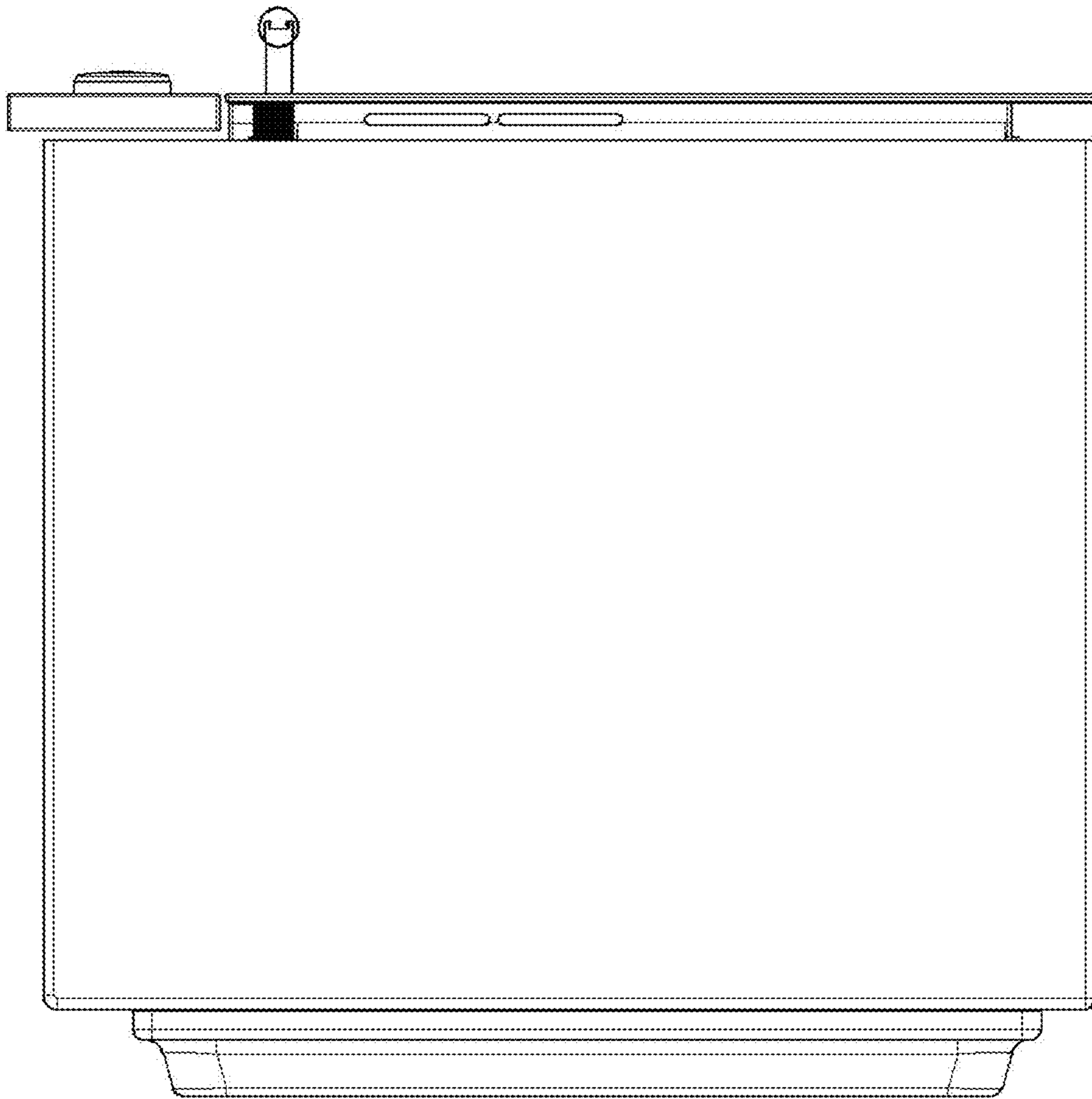


FIG. 4

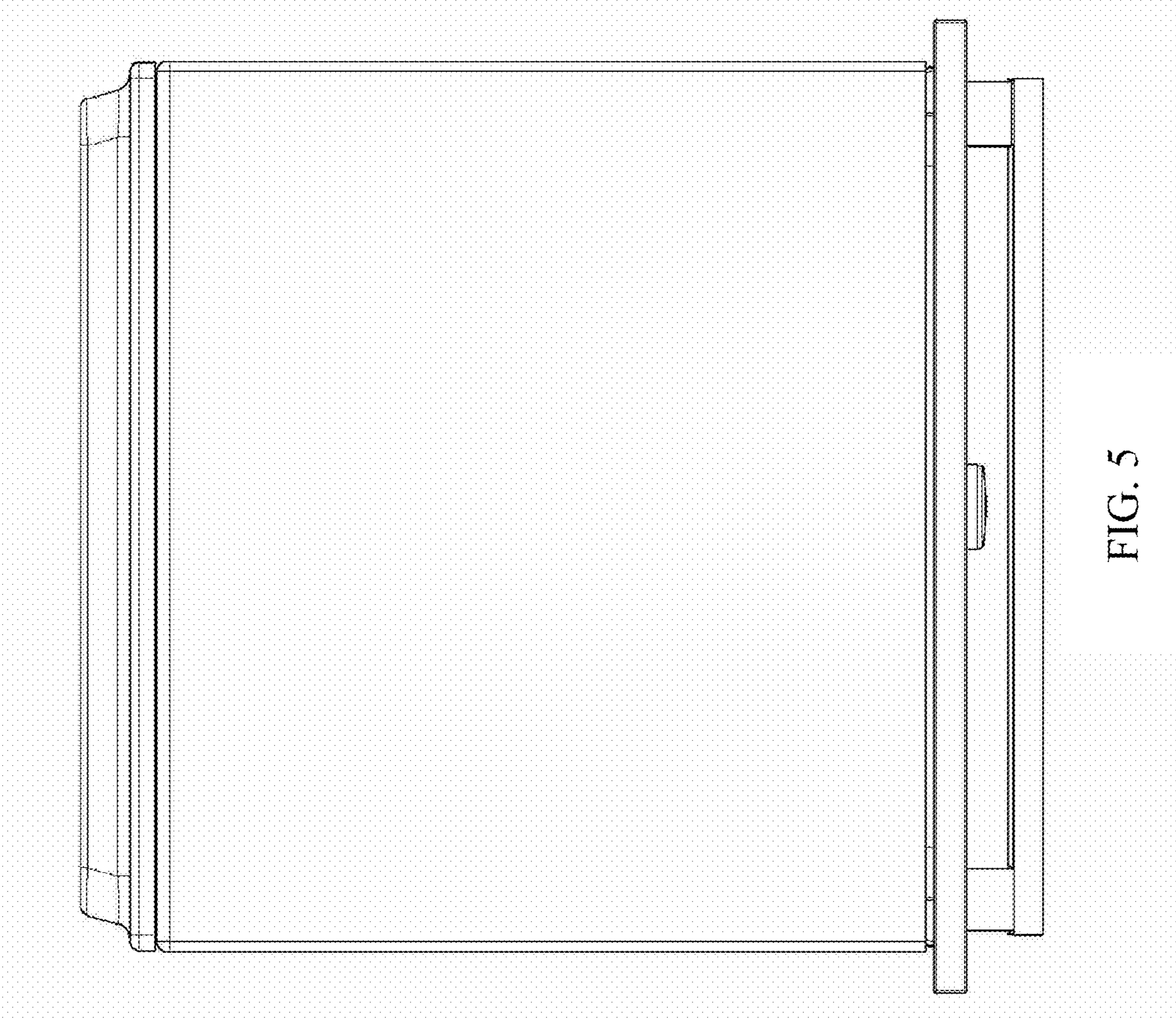


FIG. 5

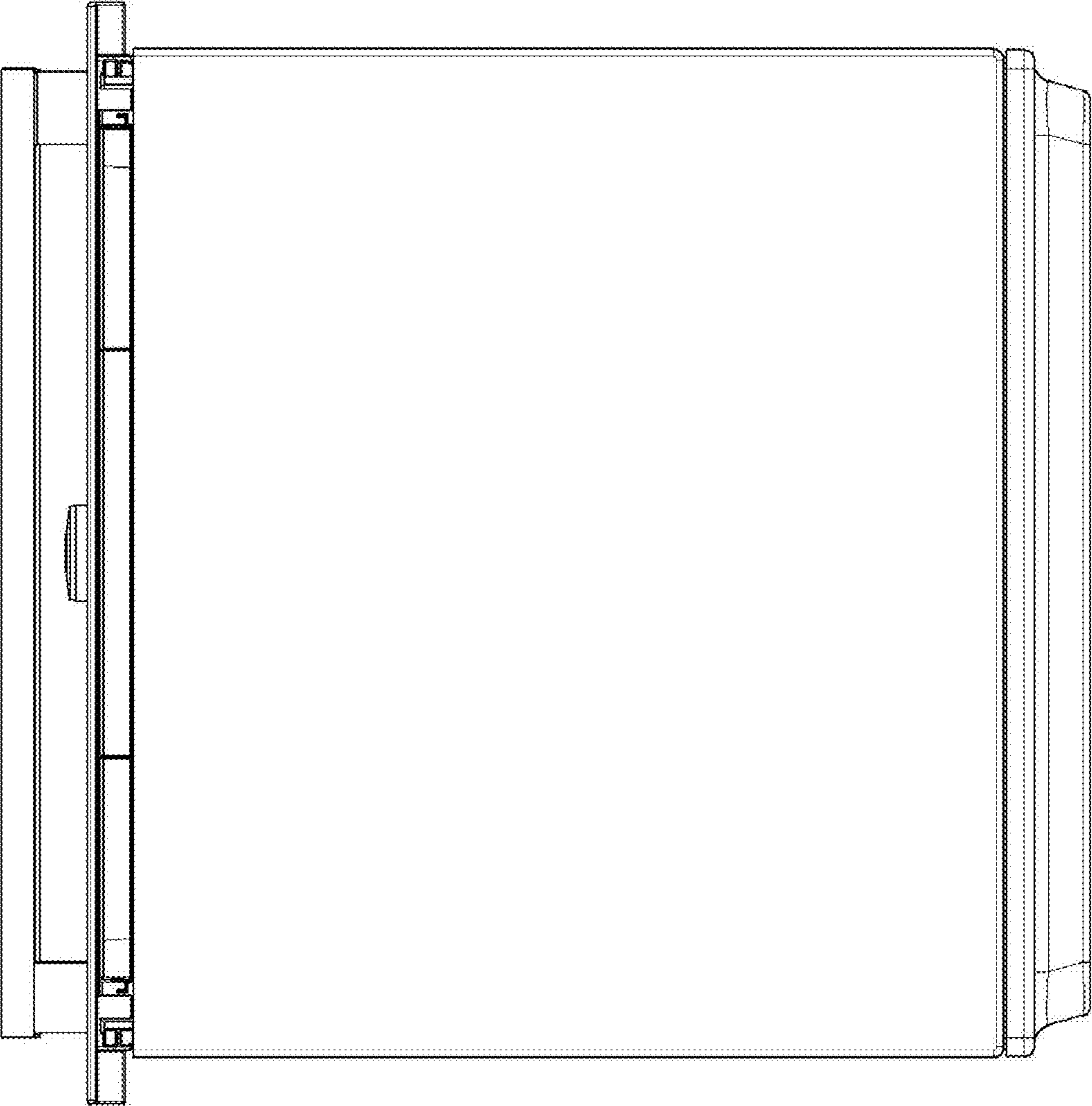


FIG. 6