



US00D654296S

(12) **United States Design Patent**
Shook

(10) **Patent No.:** **US D654,296 S**

(45) **Date of Patent:** **** *Feb. 21, 2012**

(54) **DECORATIVE COVER FOR INSTRUMENT
STAND BASE**

(76) Inventor: **Daniel T. Shook**, Collierville, TN (US)

(*) Notice: This patent is subject to a terminal disclaimer.

(**) Term: **14 Years**

(21) Appl. No.: **29/356,935**

(22) Filed: **Mar. 4, 2010**

(51) **LOC (9) Cl.** **06-13**

(52) **U.S. Cl.** **D6/610**

(58) **Field of Classification Search** D6/610,
D6/611, 445, 490, 596, 601, 602, 603, 615,
D6/617, 621; D7/306, 307; D12/401-405;
135/87, 88.01, 95; 150/165-167, 158, 154;
280/770; 296/136.01, 136.1, 136.11;
297/218-218.5, 219.1-229

See application file for complete search history.

(56) **References Cited**

U.S. PATENT DOCUMENTS

D639,100 S * 6/2011 Heroux D6/601
2010/0269966 A1* 10/2010 Butler 150/154
* cited by examiner

Primary Examiner — Caron D Veynar

Assistant Examiner — Katrina Kile

(74) *Attorney, Agent, or Firm* — H. Roy Berkenstock; Wyatt,
Tarrant & Combs, LLP

(57) **CLAIM**

The ornamental design for a decorative cover for an instrument stand base, as shown and described.

DESCRIPTION

FIG. 1 is a perspective view of a decorative cover for an instrument stand base showing my new design.

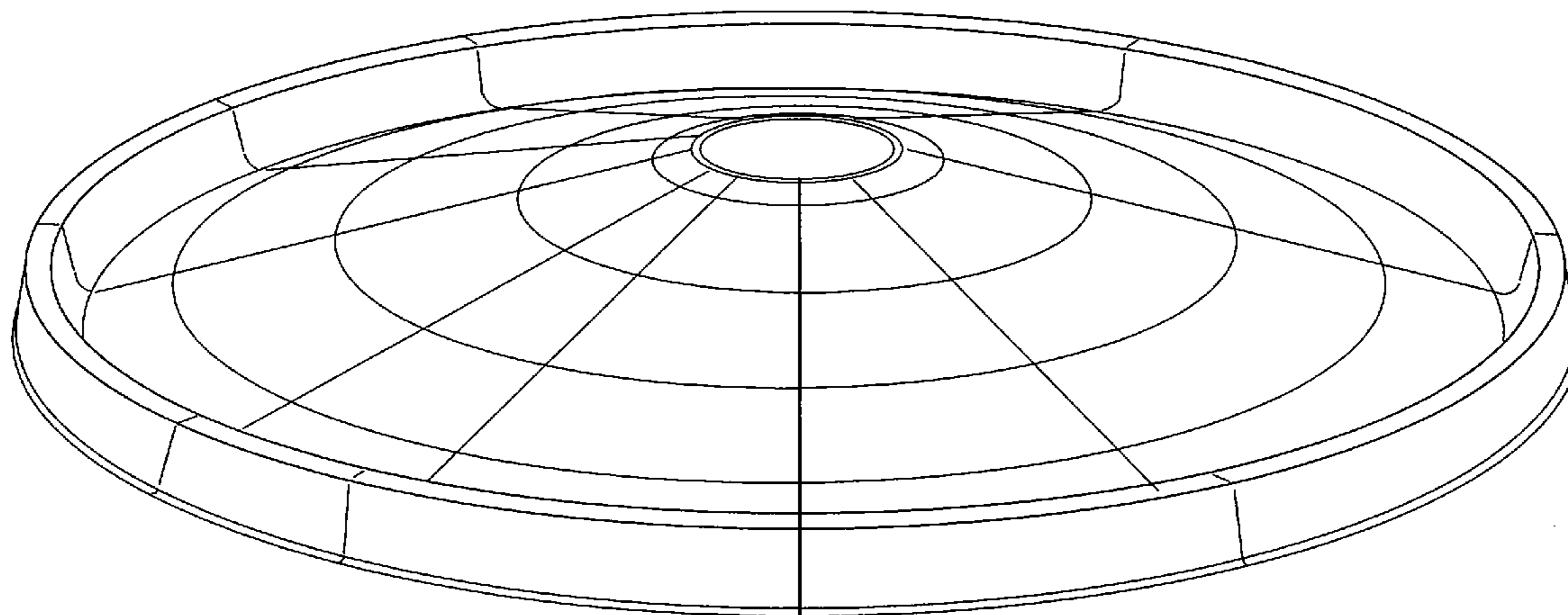
FIG. 2 is a top view thereof.

FIG. 3 is sectional view taken along lines 3-3 of FIG. 2

FIG. 4 is a bottom view thereof; and,

FIG. 5 is a side view thereof.

1 Claim, 3 Drawing Sheets



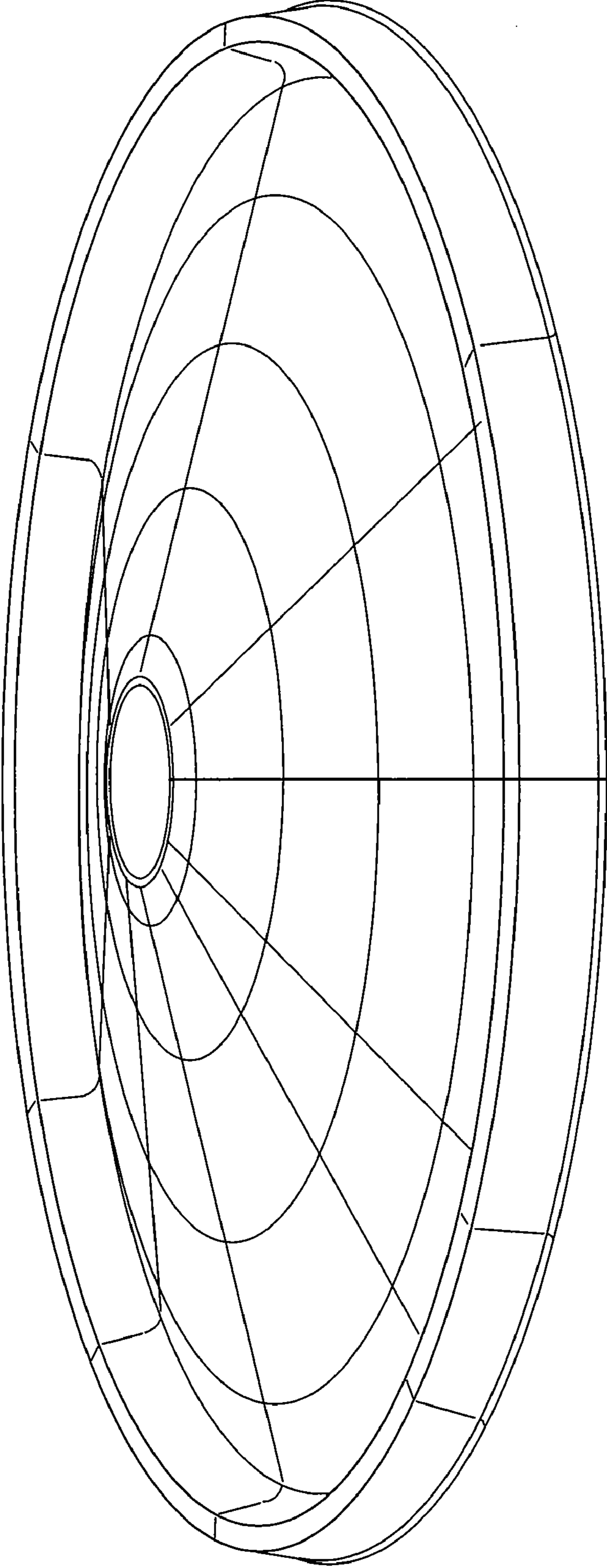


FIG. 1

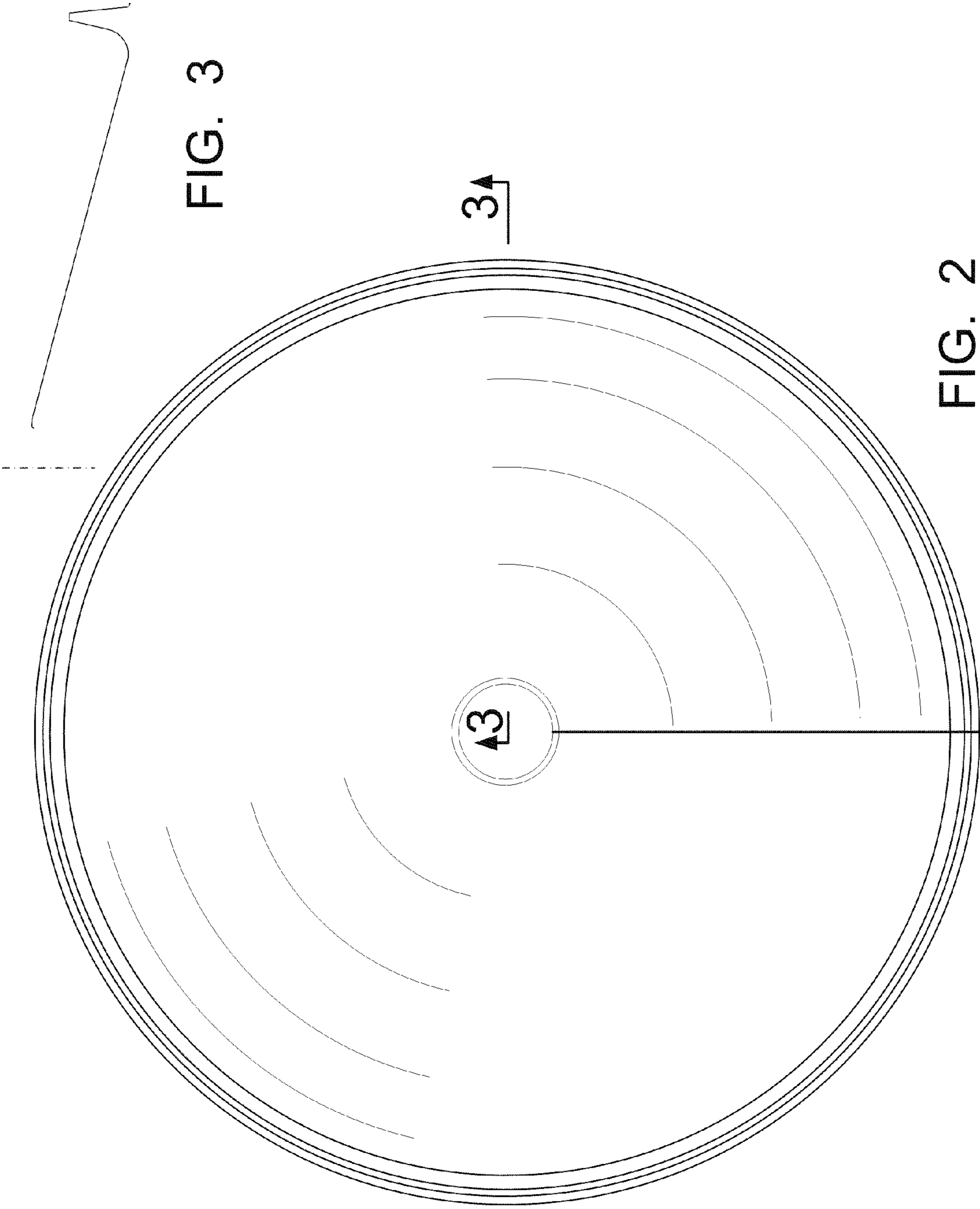


FIG. 3

FIG. 2

43

3

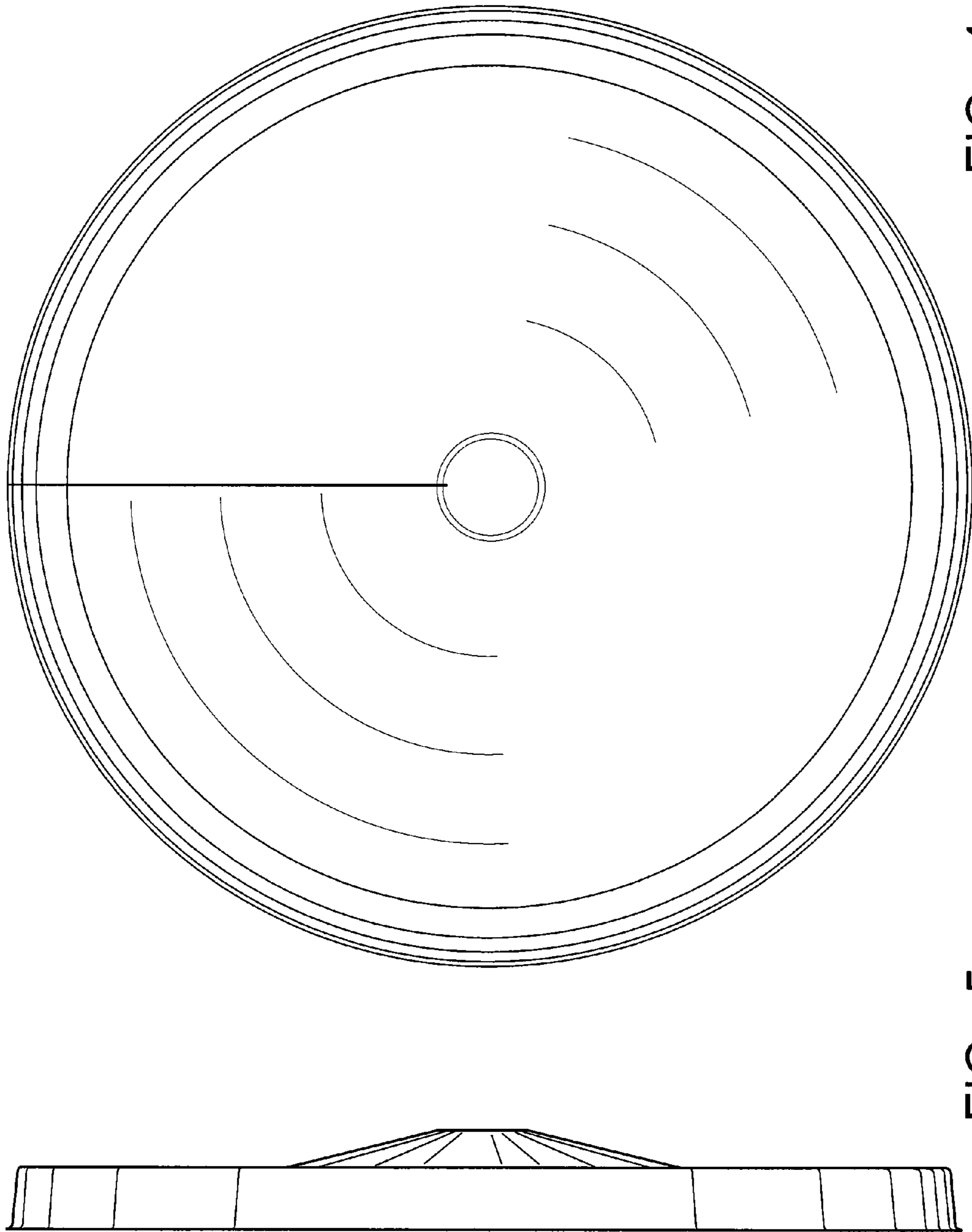


FIG. 4

FIG. 5