



US00D654295S

(12) **United States Design Patent**
Preda

(10) **Patent No.:** **US D654,295 S**
(45) **Date of Patent:** **** Feb. 21, 2012**

(54) **FULL MAT FOR STAIR STEP**
(75) **Inventor:** **George Preda, Kent, WA (US)**
(73) **Assignee:** **George Preda, Kent, WA (US)**
(**) **Term:** **14 Years**
(21) **Appl. No.:** **29/374,006**
(22) **Filed:** **Jun. 20, 2011**
(51) **LOC (9) Cl.** **06-11**
(52) **U.S. Cl.** **D6/582**
(58) **Field of Classification Search** D6/582,
D6/583, 588, 591, 592, 594, 602, 608, 617,
D6/619; D5/5, 7, 20, 30, 37, 49, 56, 58,
D5/59, 60, 63, 64, 66; D19/5; D24/124-126;
4/581; 5/490, 495; 15/208, 209.1, 215; 112/401,
112/402; 139/383 B, 383 R, 420 R; 162/108,
162/109, 134; 428/32, 39, 49, 66.5, 187,
428/542.2, 542.6; 52/179
See application file for complete search history.

4,060,947	A *	12/1977	Naka	52/179
4,097,628	A *	6/1978	Cheris et al.	428/43
4,112,641	A *	9/1978	Balzer	52/179
5,103,608	A *	4/1992	Andreo	52/179
5,645,912	A *	7/1997	Nelson et al.	428/67
5,817,399	A *	10/1998	Kalman	428/143
6,088,976	A *	7/2000	Roy	52/179
6,632,506	B1 *	10/2003	Grall	428/141
6,640,501	B1 *	11/2003	Hussey	52/3
D589,289	S *	3/2009	Laure	D6/582
D593,785	S *	6/2009	Preda	D6/582
D595,079	S *	6/2009	Preda	D6/582
2003/0101665	A1 *	6/2003	Preda	52/179

* cited by examiner

Primary Examiner — Karen S Acker

(57) **CLAIM**
The ornamental design for a full mat for stair step, as shown and described.

DESCRIPTION

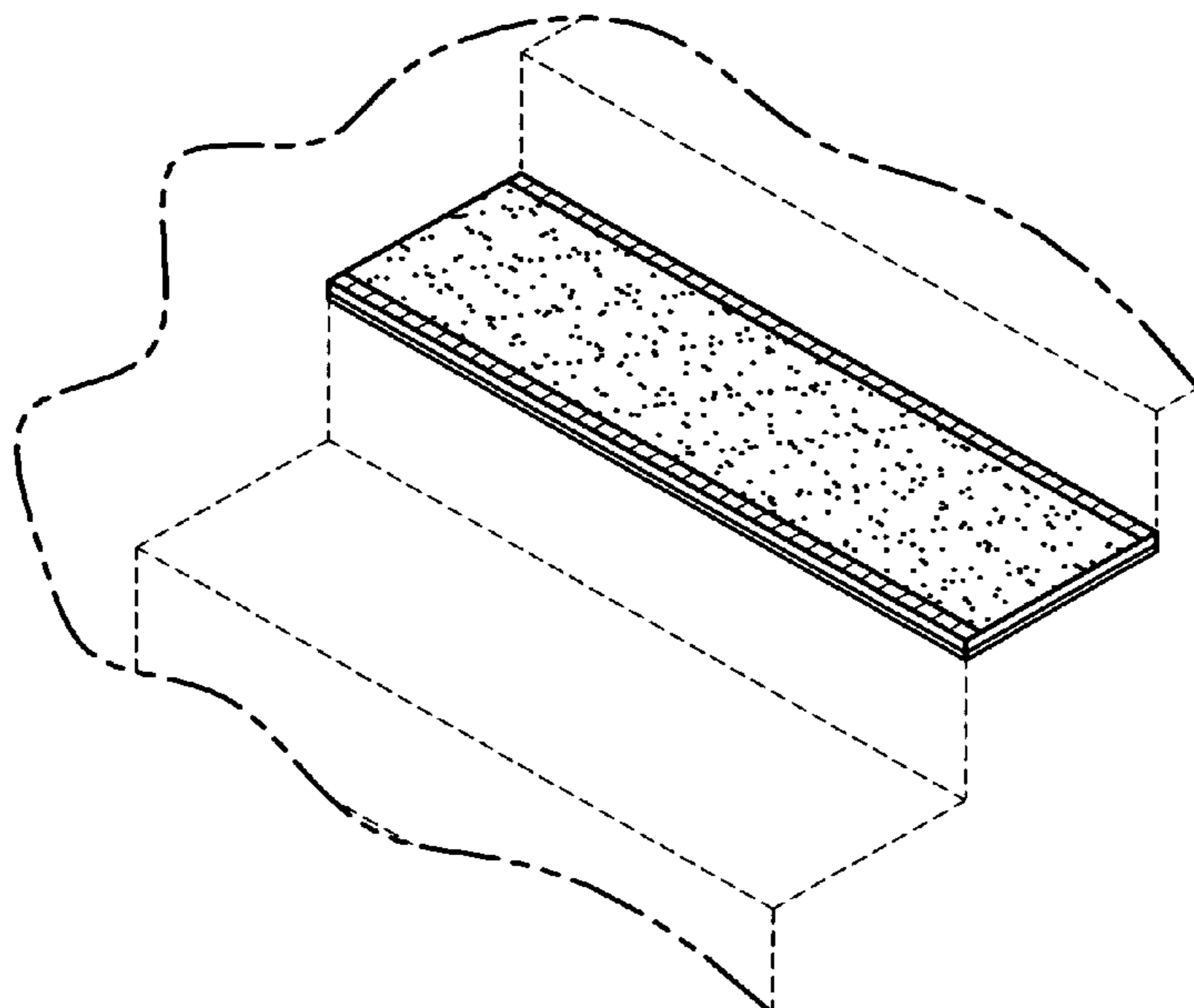
FIG. 1 is a top front perspective view of a full mat for stair step showing my new design;
FIG. 2 is a left side elevational view of the stair step mat, the left side being identical thereto;
FIG. 3 is a front elevational view of the front side of the stair step mat, the backside being identical thereto;
FIG. 4 is a top plan view thereof; and,
FIG. 5 is a bottom plan view thereof.
The broken lines in the drawing depict environmental subject matter showing the design in a position of use and form no part of the claimed design.

1 Claim, 2 Drawing Sheets

(56) **References Cited**

U.S. PATENT DOCUMENTS

184,013	A *	11/1876	Krickl	52/179
1,622,739	A *	3/1927	Rosenblum et al.	52/179
2,294,570	A *	9/1942	Ptacek	112/400
3,158,893	A *	12/1964	Smith	16/4
3,421,274	A *	1/1969	Reiff et al.	52/179
3,759,000	A *	9/1973	Balzer et al.	52/179
3,801,424	A *	4/1974	Robbins, Jr.	428/43
4,001,991	A *	1/1977	Balzer et al.	52/179



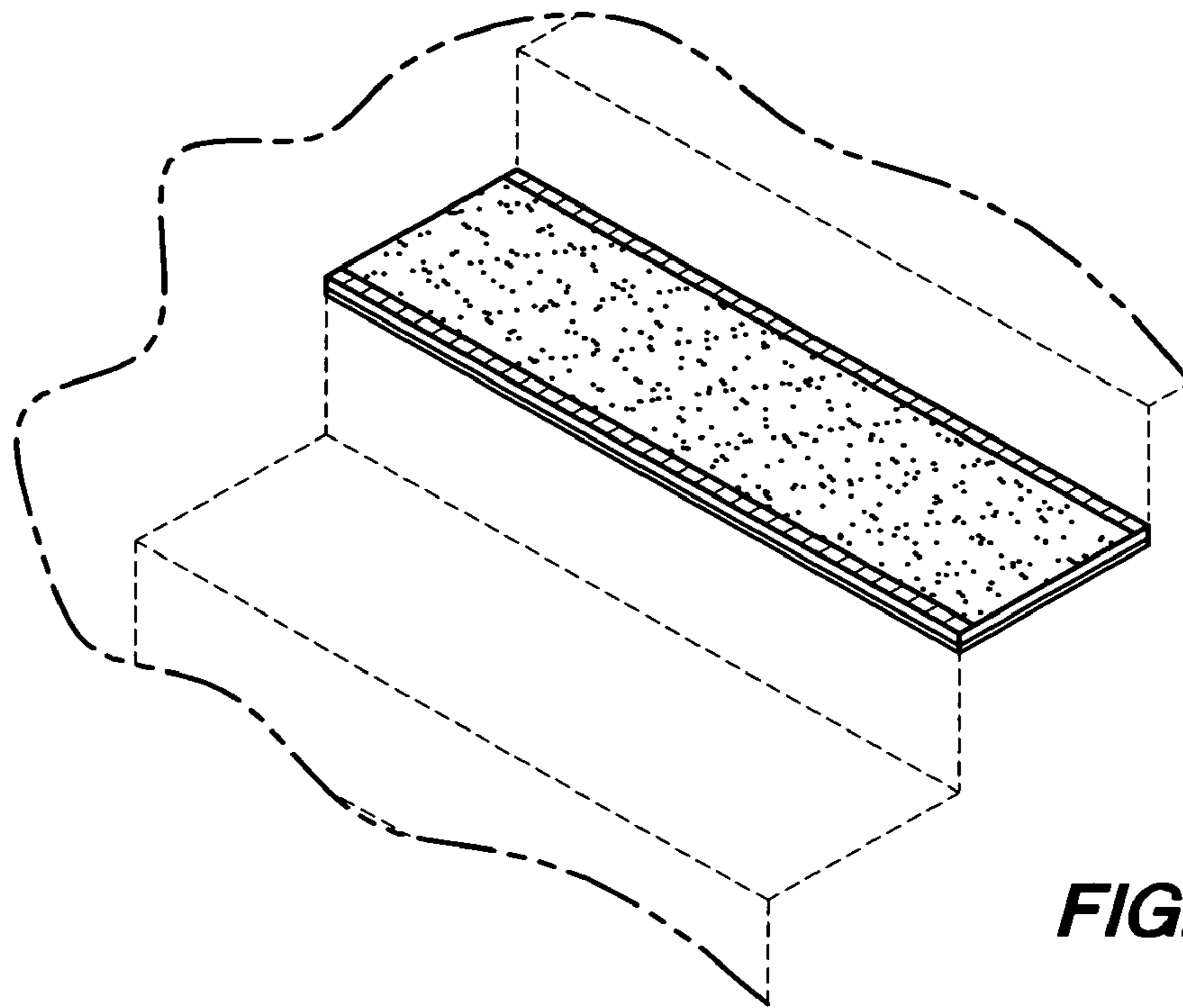


FIG. 1



FIG. 2



FIG. 3

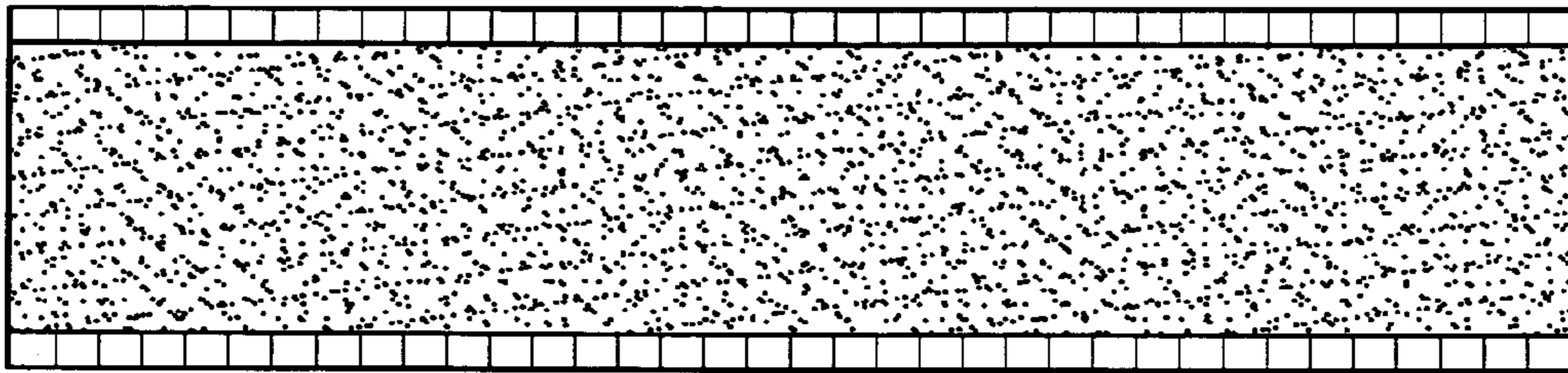


FIG. 4

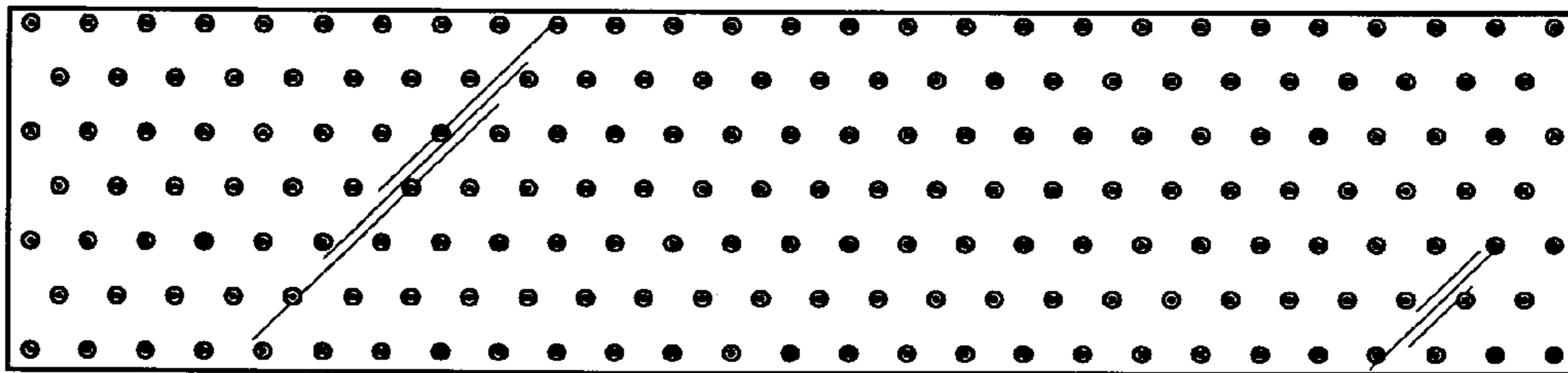


FIG. 5