

US00D654294S

(12) **United States Design Patent**  
**Davis**

(10) **Patent No.:** **US D654,294 S**  
(45) **Date of Patent:** **\*\* Feb. 21, 2012**

(54) **TABLE SHELVING**

(76) Inventor: **Bradford L. Davis**, Holland, MI (US)

(\*\*) Term: **14 Years**

(21) Appl. No.: **29/384,032**

(22) Filed: **Jan. 26, 2011**

(51) **LOC (9) Cl.** ..... **06-06**

(52) **U.S. Cl.** ..... **D6/510**

(58) **Field of Classification Search** ..... D6/480-489,  
D6/495-499, 429, 426, 406.1, 406.2, 477-479,  
D6/422, 436, 510, 511; 108/150, 50.01,  
108/50.02, 155, 153.1, 156, 157.13, 161,  
108/157.14, 6, 144.11, 147.19, 49, 59, 91;  
248/188, 188.1, 174; 312/194, 195  
See application file for complete search history.

(56) **References Cited**

**U.S. PATENT DOCUMENTS**

D456,178 S \* 4/2002 Couture et al. .... D6/477  
7,540,243 B2 \* 6/2009 George et al. .... 108/50.01  
2009/0307843 A1 \* 12/2009 Hookway et al. .... 5/425

\* cited by examiner

*Primary Examiner* — Janice Seeger

(74) *Attorney, Agent, or Firm* — Warner Norcross & Judd  
LLP

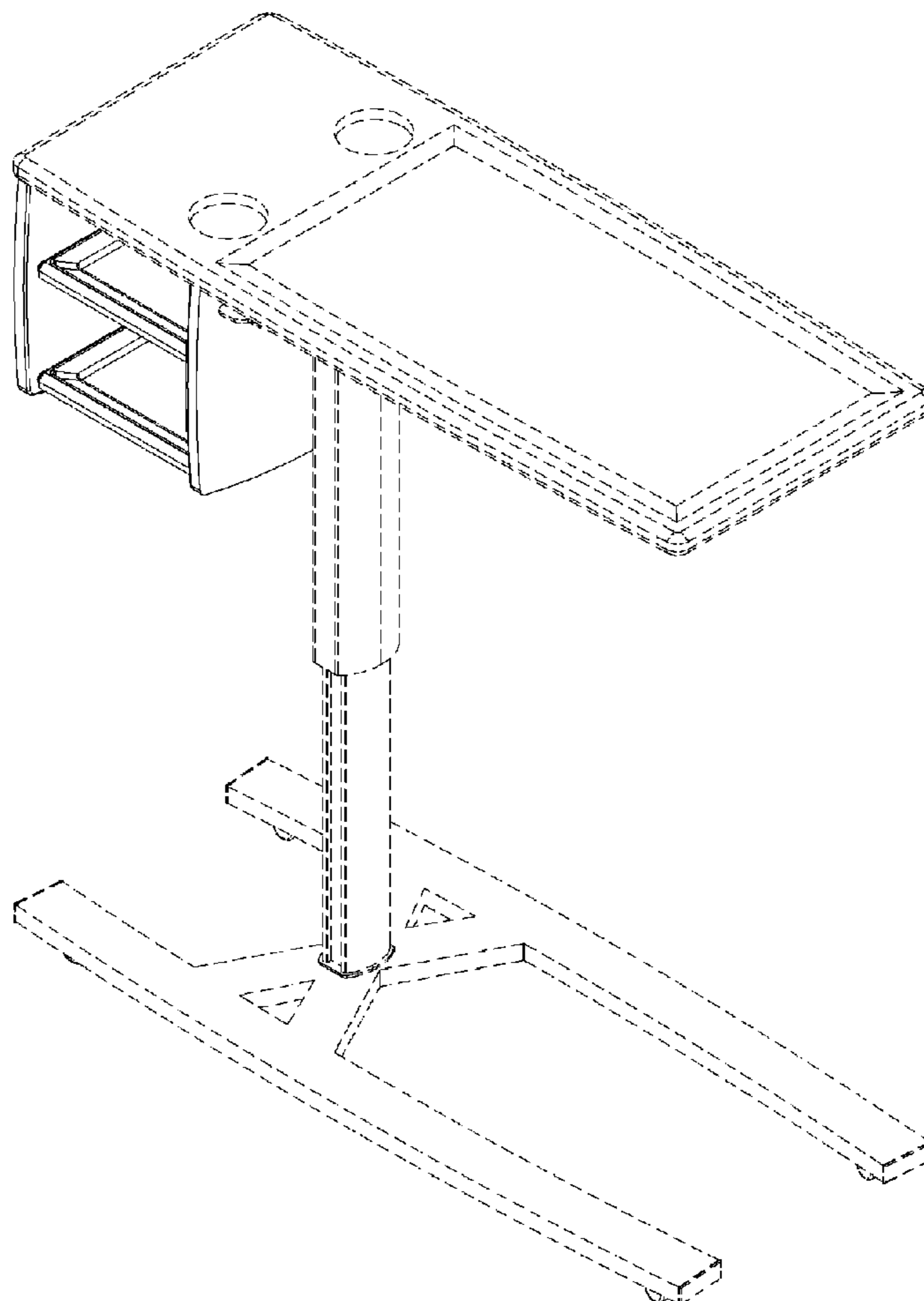
(57) **CLAIM**

The ornamental design for table shelving, as shown and described.

**DESCRIPTION**

FIG. 1 is a top perspective view of the table shelving embodying my new design;  
FIG. 2 is a front view thereof, the rear view being a mirror image thereof;  
FIG. 3 is a right side elevational view thereof;  
FIG. 4 is a left side elevational view thereof;  
FIG. 5 is a top perspective view thereof, with the shelves removed; and,  
FIG. 6 is a bottom perspective view thereof with the shelves removed.  
FIGS. 1-6 show portions of the table base in phantom lines. The phantom line portions are shown for environmental purposes and form no part of the claimed design.

**1 Claim, 6 Drawing Sheets**



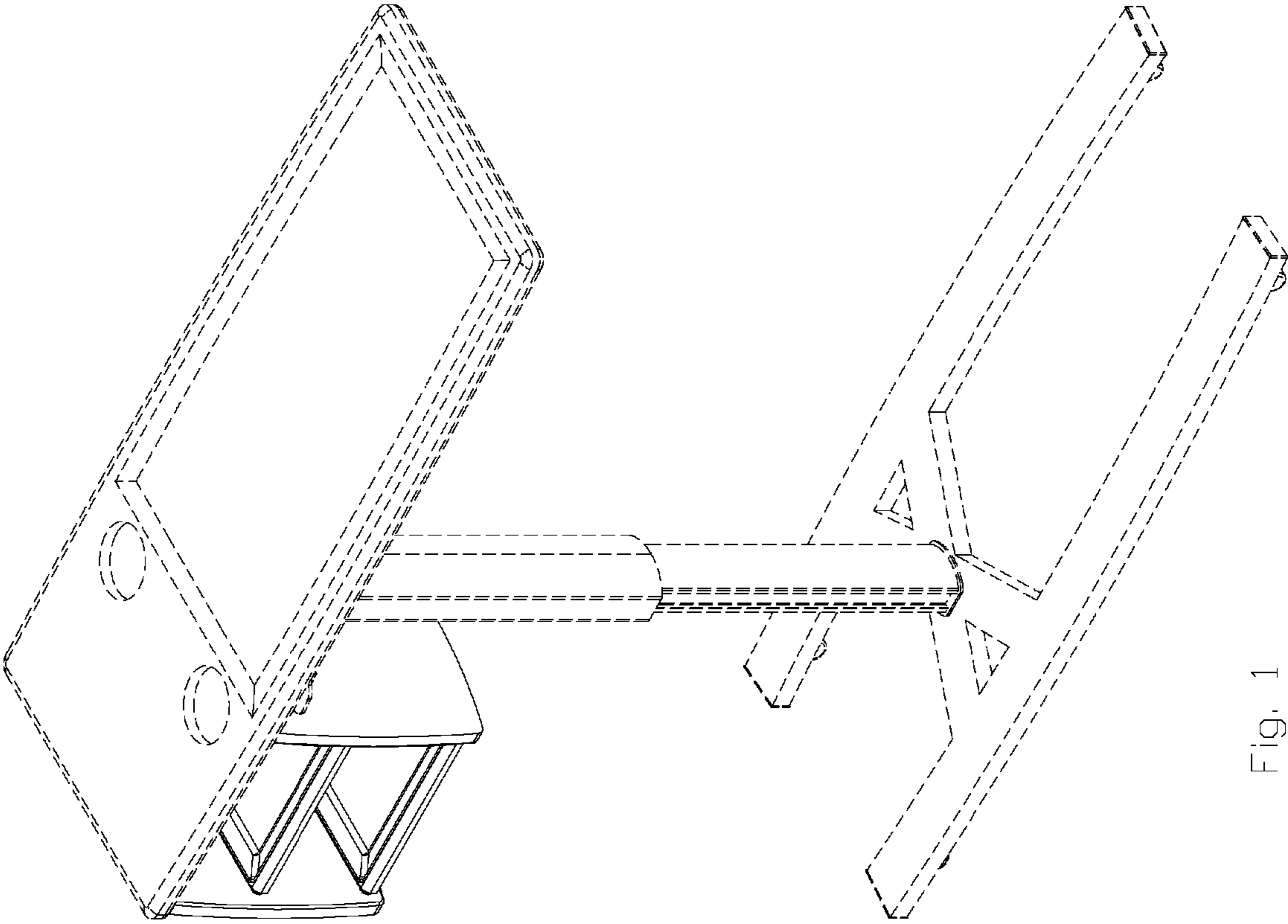


Fig. 1

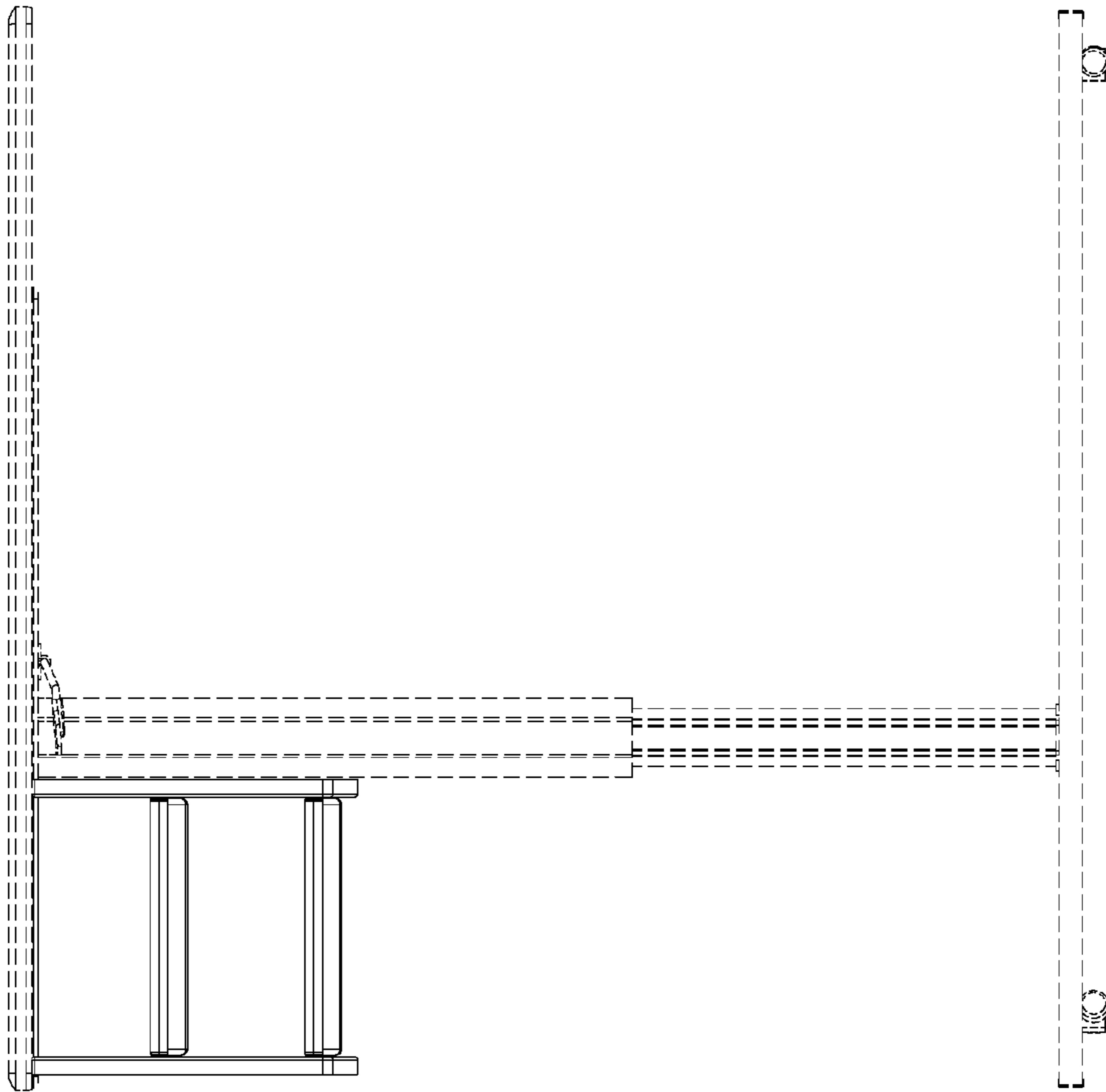


Fig. 2

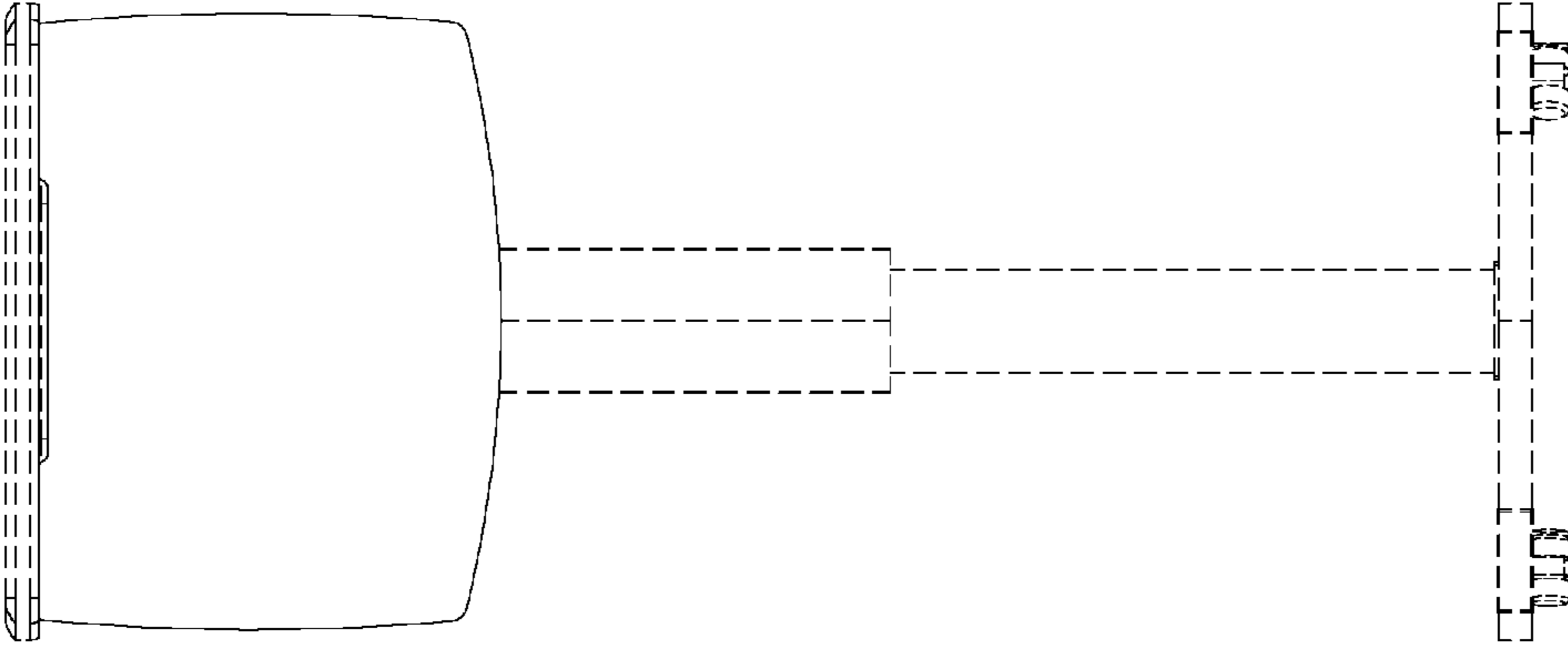


FIG. 3

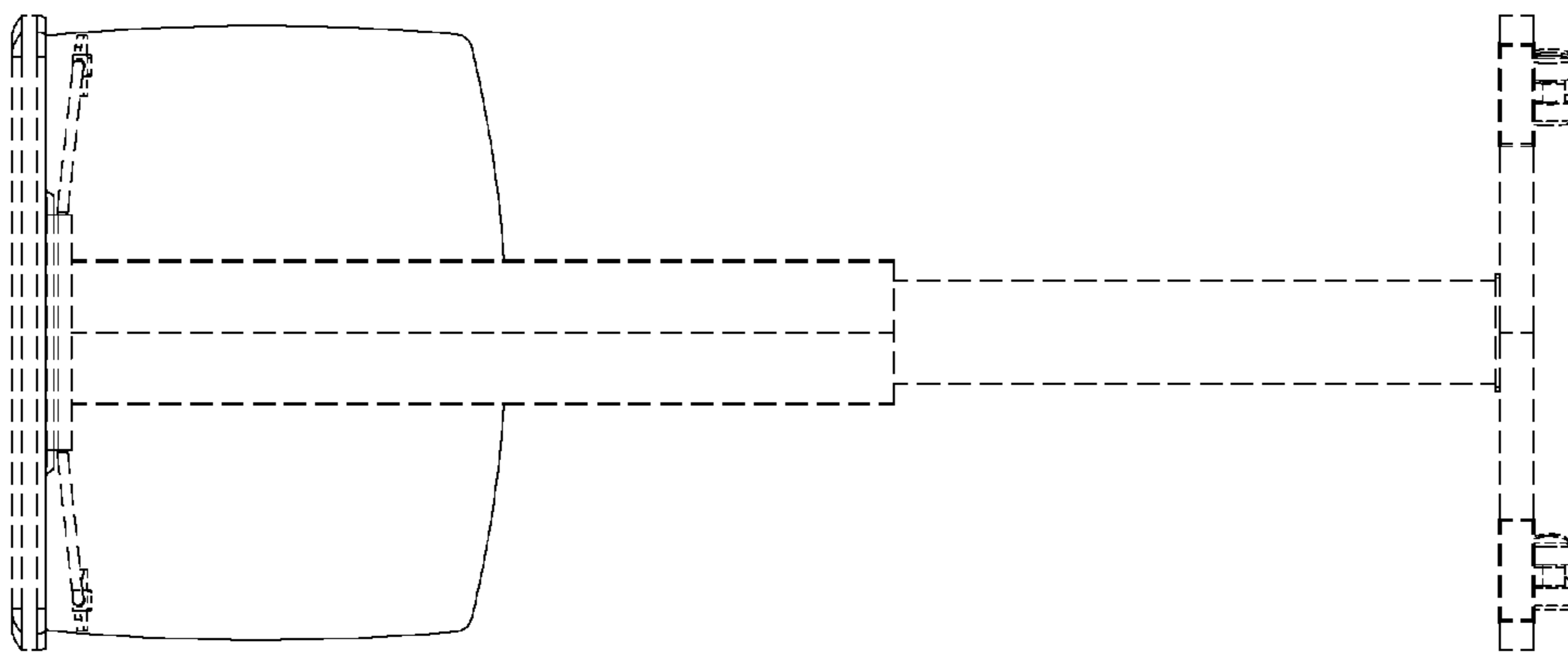


Fig. 4

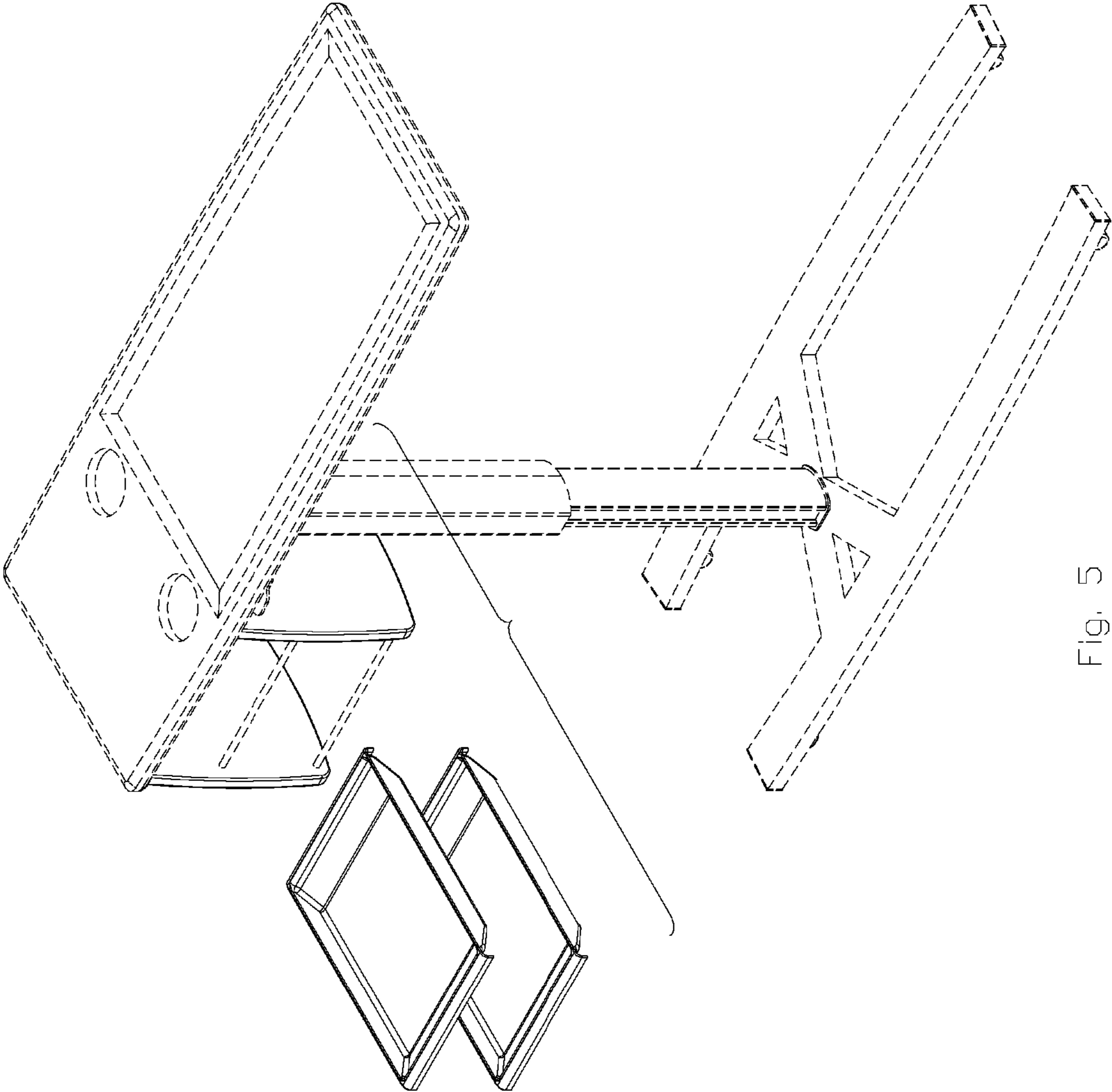


Fig. 5

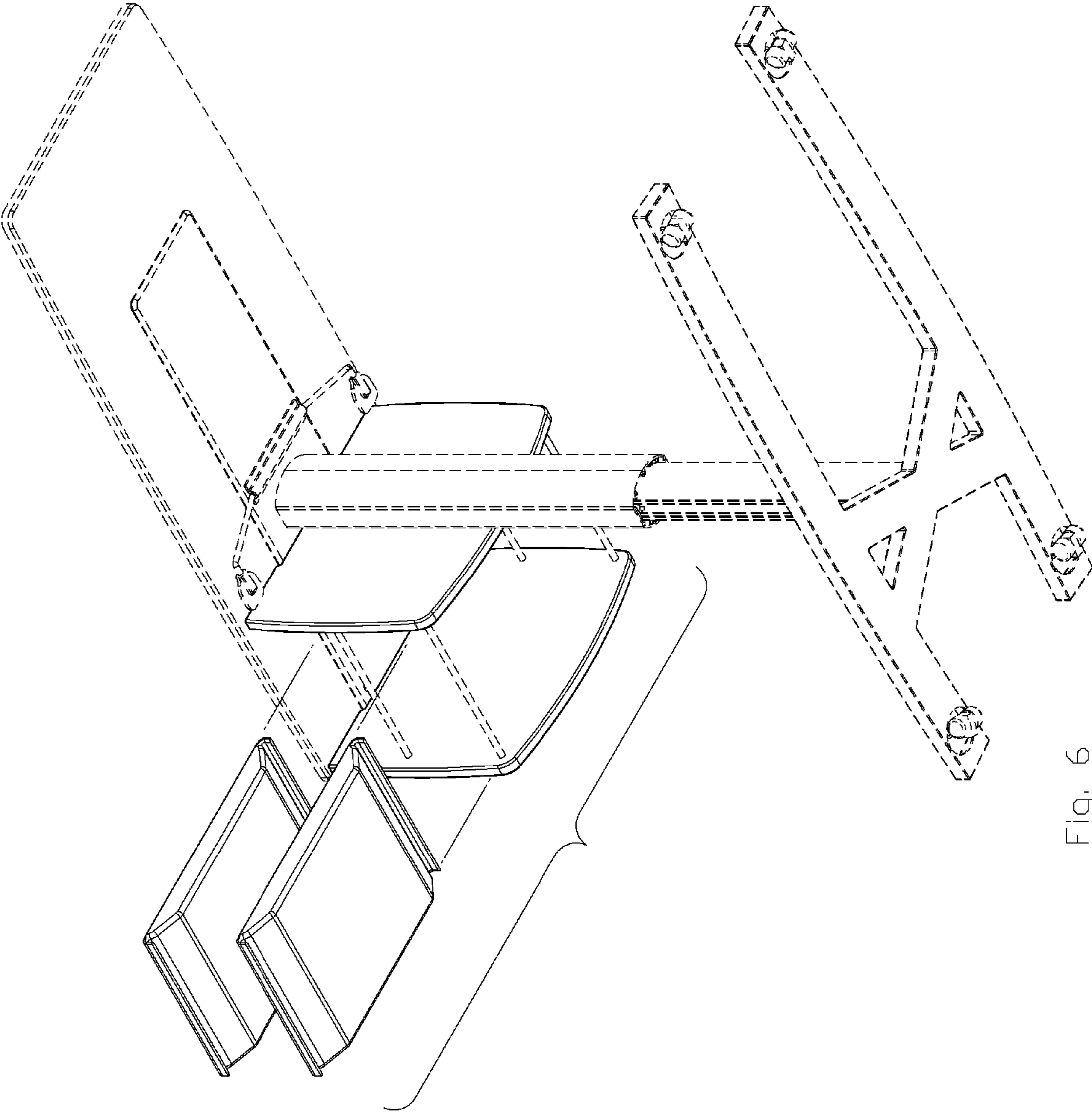


Fig. 6