



US00D654293S

(12) **United States Design Patent**  
**Gaska et al.**

(10) **Patent No.:** **US D654,293 S**

(45) **Date of Patent:** **\*\* Feb. 21, 2012**

(54) **MODULAR CABINET**

(75) Inventors: **Gil Anthony Gaska**, Saint Joseph, MI (US); **Leah Z. Lader**, Saint Joseph, MI (US); **Todd Christopher Starr**, Saint Joseph, MI (US); **Travis M. Perkins**, Granger, IN (US)

(73) Assignee: **Whirlpool Corporation**, Benton Harbor, MI (US)

(\*\*) Term: **14 Years**

(21) Appl. No.: **29/362,096**

(22) Filed: **May 20, 2010**

**Related U.S. Application Data**

(62) Division of application No. 29/298,686, filed on Dec. 11, 2007, now Pat. No. Des. 618,020, which is a division of application No. 29/251,333, filed on Jan. 6, 2006, now Pat. No. Des. 561,506.

(51) **LOC (9) Cl.** ..... **06-06**

(52) **U.S. Cl.** ..... **D6/510**

(58) **Field of Classification Search** ..... D3/247; D6/396-397, 432-436, 443-448, 491-492, D6/509-511, 561, 583; D9/773; D12/203; D15/91; D25/62, 109, 163; D34/1, 27; 312/204  
See application file for complete search history.

(56) **References Cited**

**U.S. PATENT DOCUMENTS**

D441,093	S	*	4/2001	Johnson	.....	D25/62
D456,533	S	*	4/2002	Moller, Jr.	.....	D25/163
D474,563	S	*	5/2003	Bresciani	.....	D25/109
D505,237	S	*	5/2005	Schmidt et al.	.....	D34/27
D508,504	S	*	8/2005	Schmidt et al.	.....	D15/91
D510,832	S	*	10/2005	Schmidt et al.	.....	D6/561
D512,733	S	*	12/2005	Schmidt et al.	.....	D15/91
D517,574	S	*	3/2006	Schmidt et al.	.....	D15/91

D523,035	S	*	6/2006	Schmidt et al.	.....	D15/91
D523,036	S	*	6/2006	Schmidt et al.	.....	D15/91
D536,713	S	*	2/2007	Schmidt et al.	.....	D15/91
D540,095	S	*	4/2007	Lee	.....	D6/583
D544,259	S	*	6/2007	Schmidt et al.	.....	D6/510
D546,598	S	*	7/2007	Schmidt et al.	.....	D6/510
D547,577	S	*	7/2007	Gaska et al.	.....	D6/510
D548,502	S	*	8/2007	Gaska et al.	.....	D6/510
D550,004	S	*	9/2007	Gaska et al.	.....	D6/510
D551,883	S	*	10/2007	Gaska et al.	.....	D6/510
D561,080	S	*	2/2008	Soshkin	.....	D12/203

(Continued)

*Primary Examiner* — Ricky Pham

(74) *Attorney, Agent, or Firm* — Tara M. Hartman; Robert L. Judd

(57) **CLAIM**

The ornamental design for a modular cabinet, as shown and described.

**DESCRIPTION**

FIG. 1 is a left front perspective view of the design of the modular cabinet;

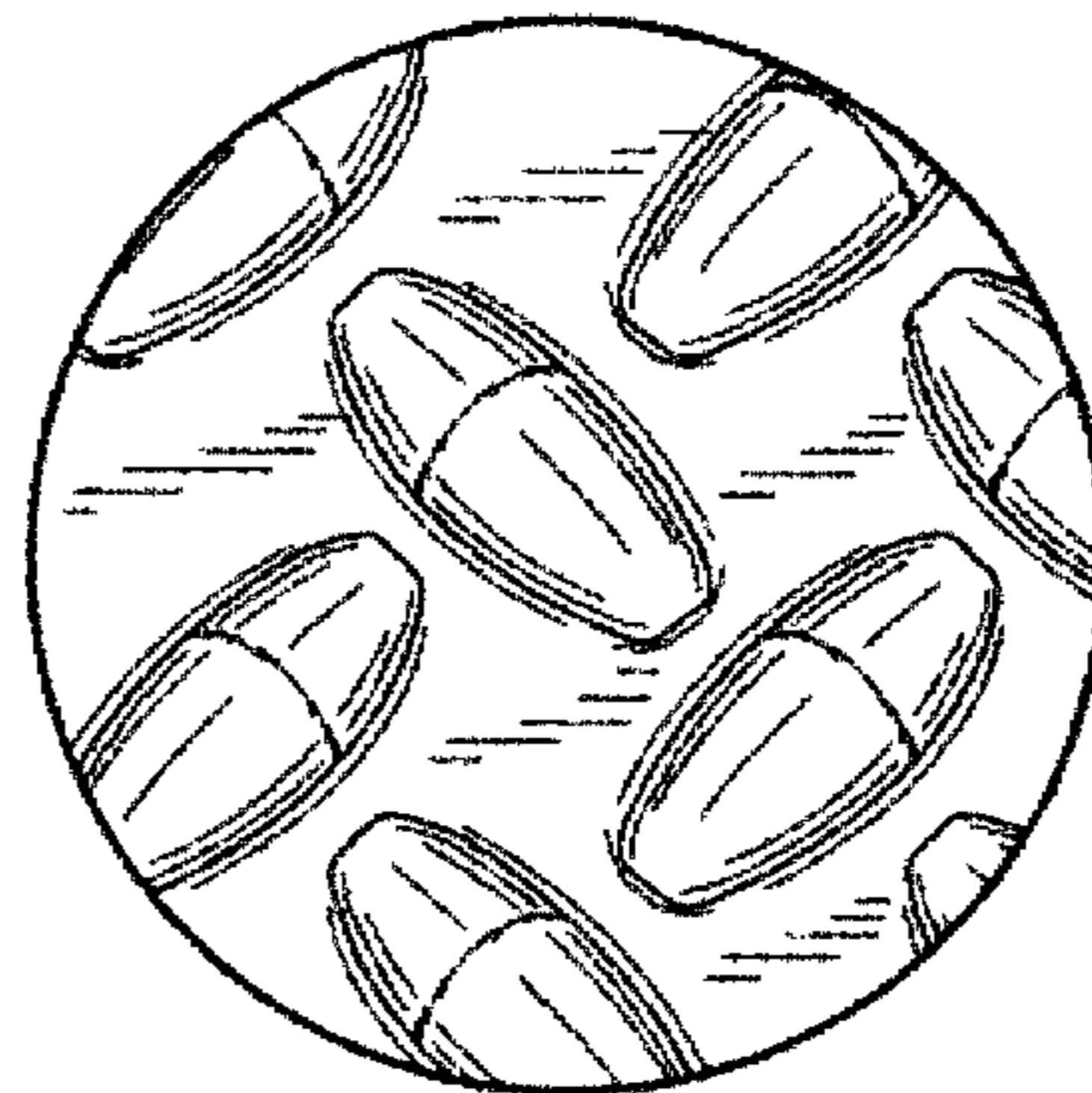
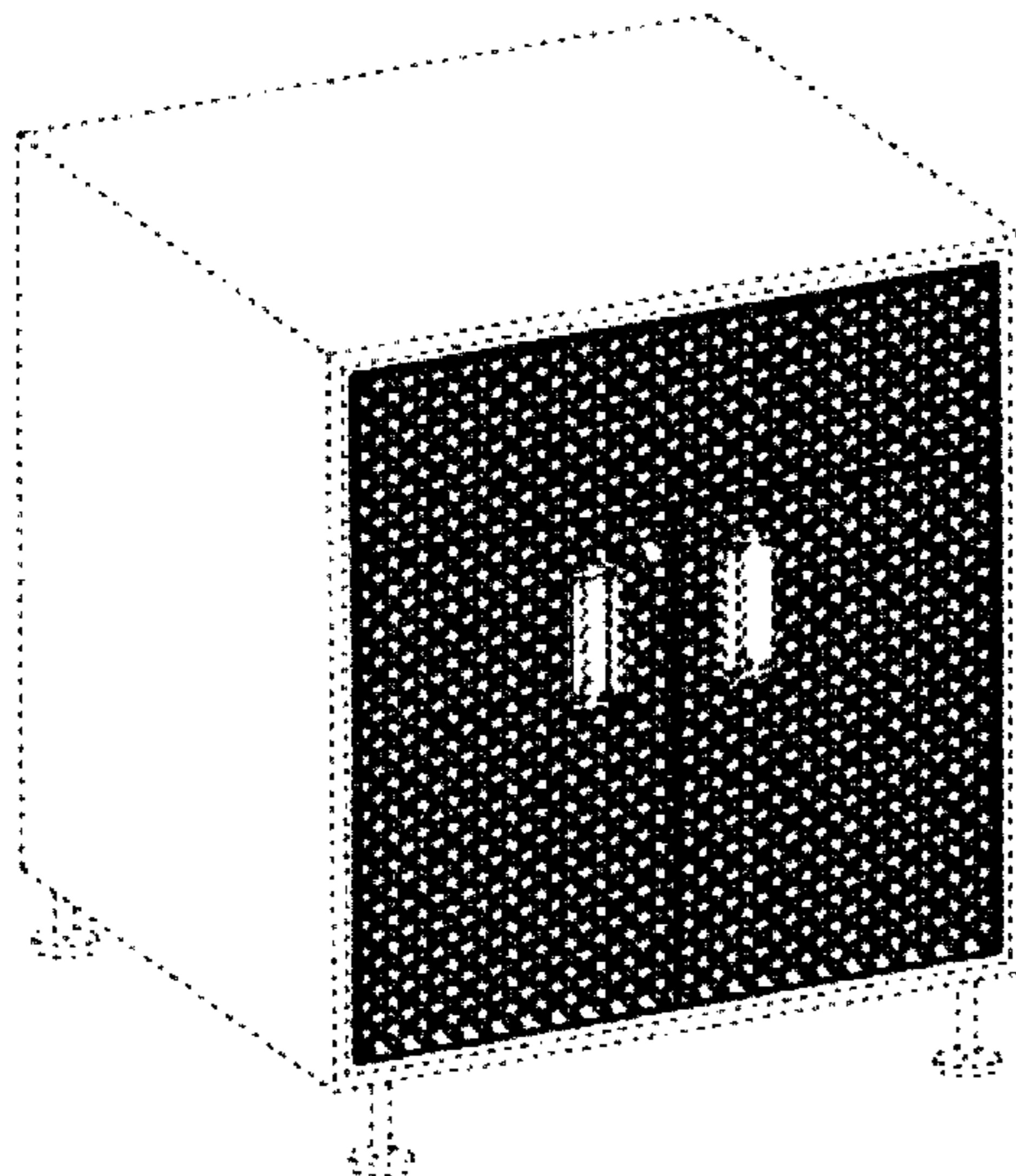
FIG. 2 is a front elevational view thereof. The ornamental design is not visible in a rear view, top plan view, right or left side views or bottom view; and,

FIG. 3 is an enlarged view of the pattern on the modular cabinet doors and drawer.

The characteristic feature of the ornamental design resides in the use of a pattern on the modular cabinet doors and drawer according to the ornamental design is shown in FIGS. 1 -3.

Those portions of modular cabinet in broken lines, specifically the surfaces of the modular cabinet at the side and bottom edges of the doors and the top and side edges of the drawer and the surfaces extending back from the doors and drawers including other surfaces of the modular cabinet including the legs are for illustrative purposes only and not part of the claimed invention.

**1 Claim, 2 Drawing Sheets**



# US D654,293 S

Page 2

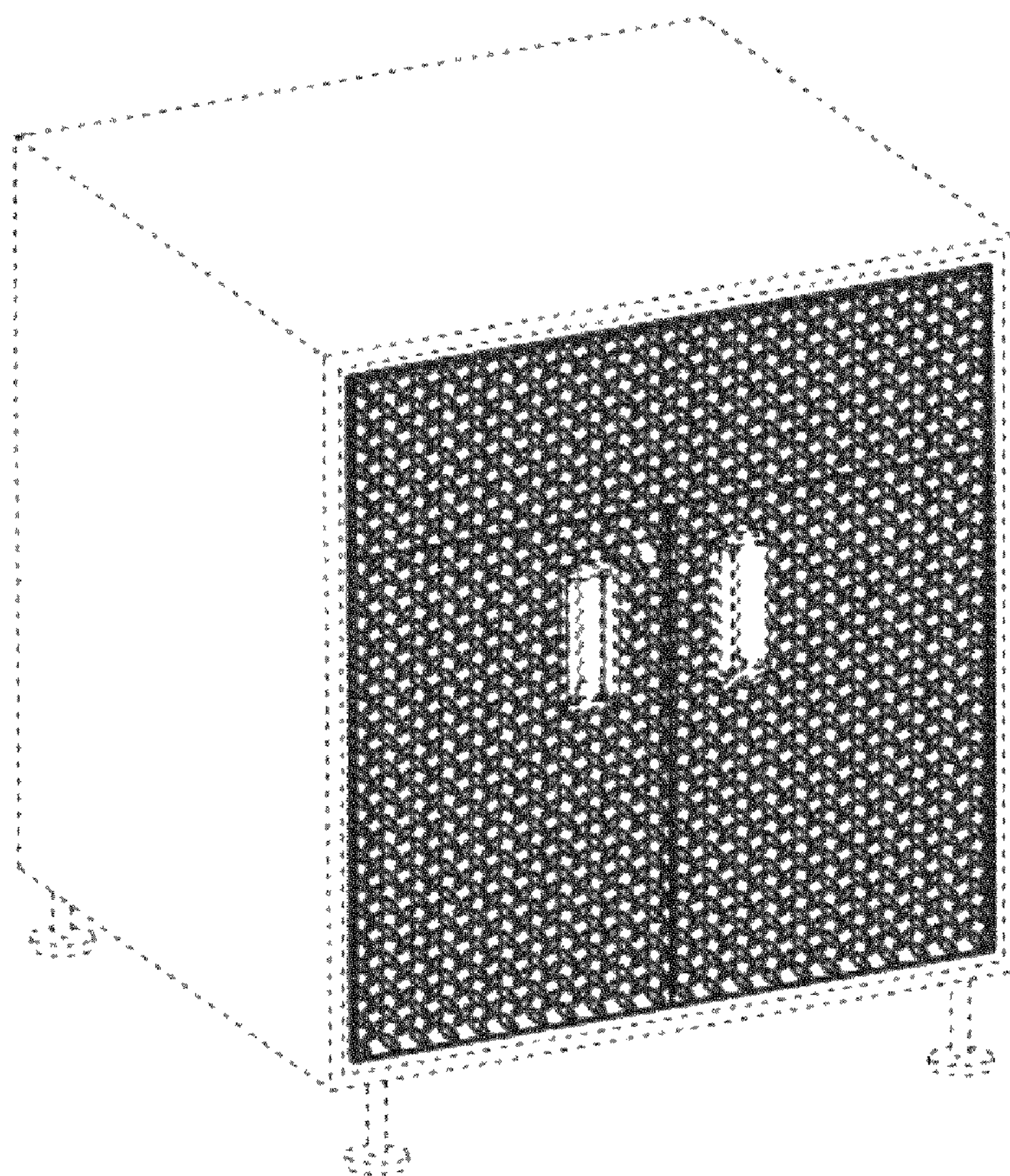
---

## U.S. PATENT DOCUMENTS

D561,506 S *	2/2008	Gaska et al. ....	D6/510	D593,321 S *	6/2009	Wente .....	D3/247
D563,699 S *	3/2008	Schmidt et al. ....	D6/510	D618,019 S *	6/2010	Gaska et al. ....	D6/510
D564,903 S *	3/2008	Stephens .....	D9/773	D618,020 S *	6/2010	Gaska et al. ....	D6/510
D586,595 S *	2/2009	Gaska et al. ....	D6/510				

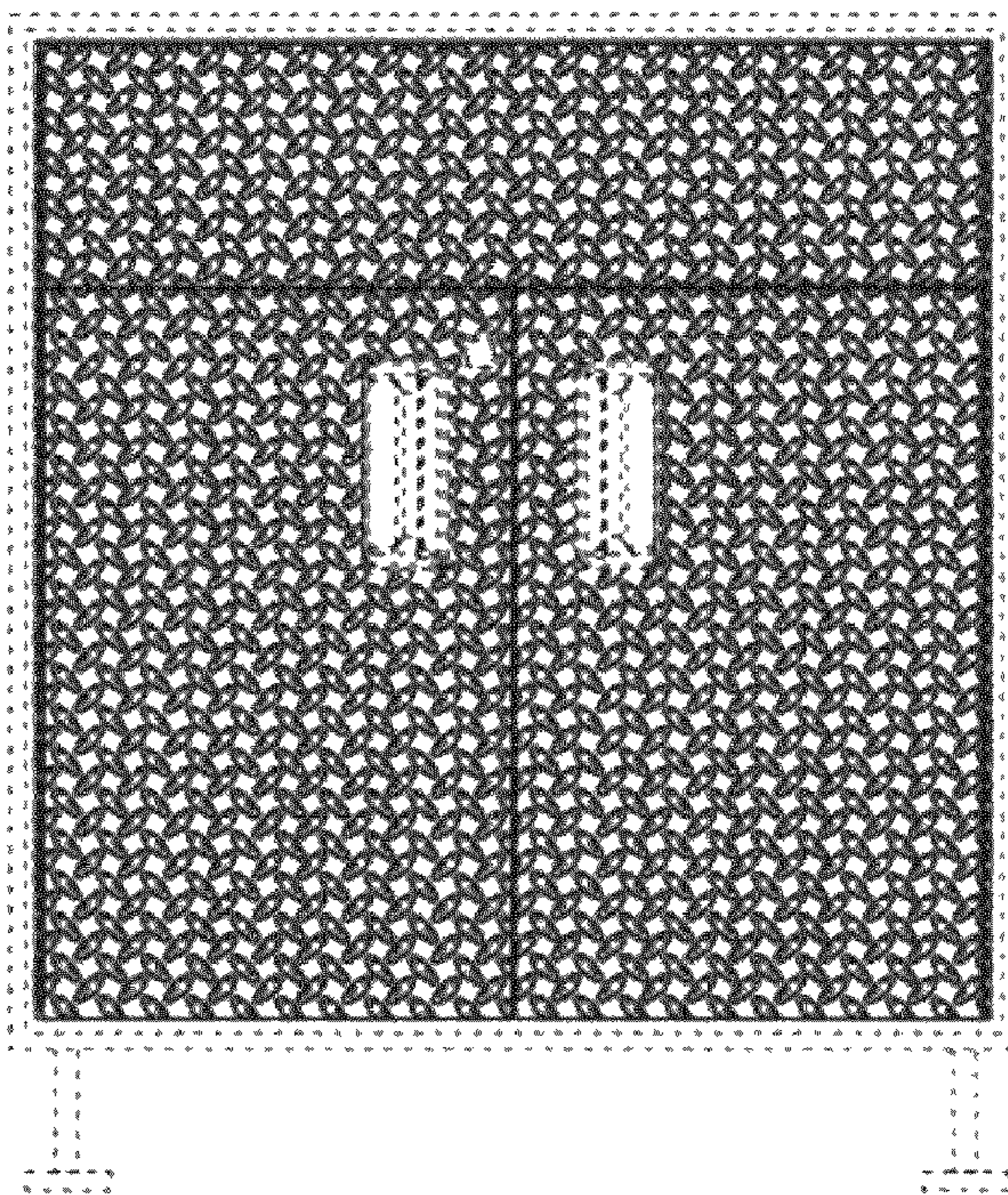
\* cited by examiner



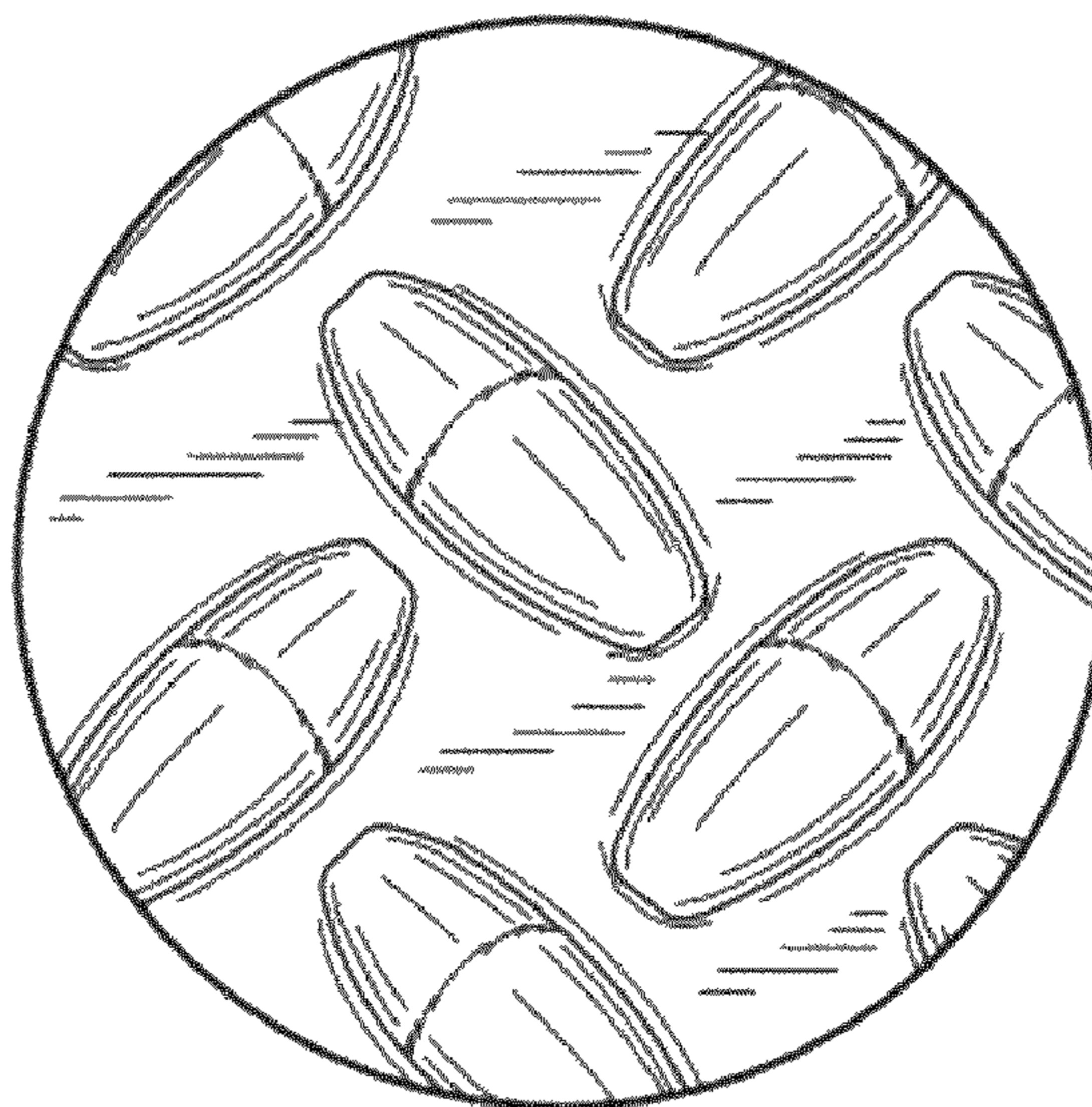


**Fig. 1**





**Fig. 2**



**Fig. 3**