



US00D654291S

(12) **United States Design Patent**  
**Pearson et al.**

(10) **Patent No.:** **US D654,291 S**

(45) **Date of Patent:** **\*\* \*Feb. 21, 2012**

(54) **SEATING UNIT**

(75) Inventors: **Luke Pearson**, London (GB); **Tom Lloyd**, London (GB); **Nick Carpenter**, London (GB); **James Ludwig**, East Grand Rapids, MI (US); **Bruce Smith**, Grand Rapids, MI (US)

(73) Assignee: **Steelcase Inc.**, Grand Rapids, MI (US)

(\*) Notice: This patent is subject to a terminal disclaimer.

(\*\*) Term: **14 Years**

(21) Appl. No.: **29/318,692**

(22) Filed: **May 26, 2008**

(51) **LOC (9) Cl.** ..... **06-01**

(52) **U.S. Cl.** ..... **D6/500; D6/366**

(58) **Field of Classification Search** ..... D6/334-336, D6/364, 365, 366, 367, 369, 370, 374, 379, D6/380, 498, 500-502; 297/284.4, 411.27, 297/411.28, 445.1, 446.1, 452.15, 452.29, 297/452.32, 452.36, 452.46, 452.48, 452.63  
See application file for complete search history.

(56) **References Cited**

**U.S. PATENT DOCUMENTS**

|             |         |                  |
|-------------|---------|------------------|
| 56,718 A    | 7/1866  | Coomes           |
| 538,708 A   | 5/1895  | Smith            |
| 2,512,353 A | 6/1950  | Magaldino et al. |
| 2,530,924 A | 11/1950 | Turner           |
| D164,204 S  | 8/1951  | Smith            |
| 2,798,538 A | 7/1957  | Dreifke          |
| 2,843,195 A | 7/1958  | Barvaeus         |
| 2,893,476 A | 7/1959  | Liljengren       |
| 3,036,864 A | 5/1962  | Arai             |

|             |         |                   |
|-------------|---------|-------------------|
| D194,740 S  | 3/1963  | Parker            |
| 3,203,734 A | 8/1965  | Home              |
| 3,669,499 A | 6/1972  | Semplonius et al. |
| 3,672,723 A | 6/1972  | Decursu et al.    |
| 4,372,609 A | 2/1983  | Boisset           |
| 4,386,805 A | 6/1983  | Boisset           |
| 4,410,214 A | 10/1983 | Geschwender       |
| 4,580,836 A | 4/1986  | Verney            |
| 4,744,603 A | 5/1988  | Knoblock          |
| 4,776,633 A | 10/1988 | Knoblock et al.   |
| 4,919,485 A | 4/1990  | Guichon           |
| 4,925,244 A | 5/1990  | Nava              |
| D319,354 S  | 8/1991  | Wolcott           |

(Continued)

**FOREIGN PATENT DOCUMENTS**

WO WO 2006/094258 A1 9/2006

*Primary Examiner* — Mimoso De

(74) *Attorney, Agent, or Firm* — McDermott Will & Emery LLP

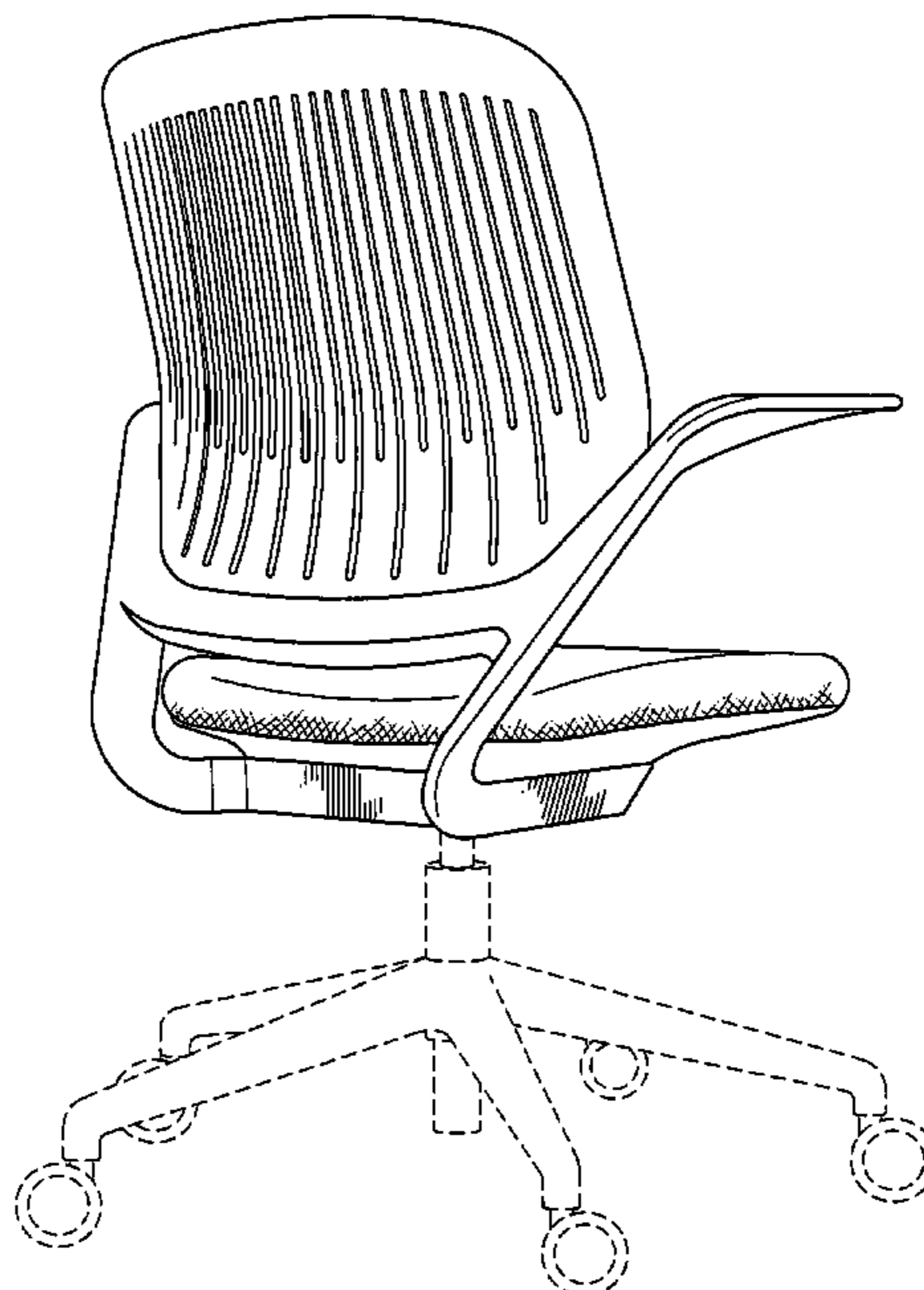
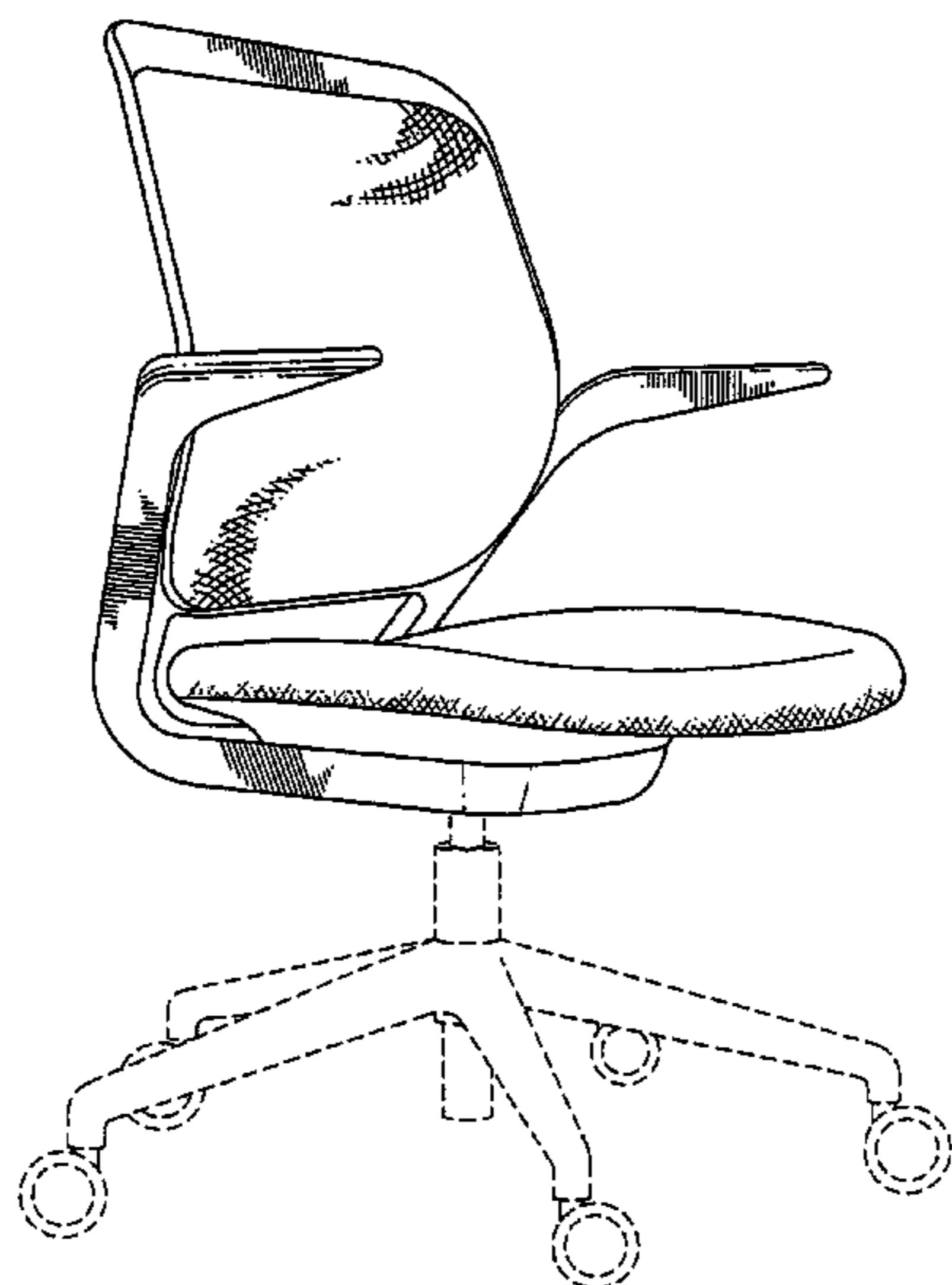
(57) **CLAIM**

We claim the ornamental design for a seating unit, as shown and described.

**DESCRIPTION**

FIG. 1 is a front perspective view of a seating unit according to the new design;  
FIG. 2 is a rear perspective view of a seating unit shown in FIG. 1;  
FIG. 3 is a front view of the seating unit shown in FIG. 1;  
FIG. 4 is a rear view of the seating unit shown in FIG. 1; and,  
FIG. 5 is a left side view of the seating unit shown in FIG. 1, the opposed right side view being a mirror image thereof.  
In the drawings, the broken lines form no part of the claimed design.

**1 Claim, 5 Drawing Sheets**



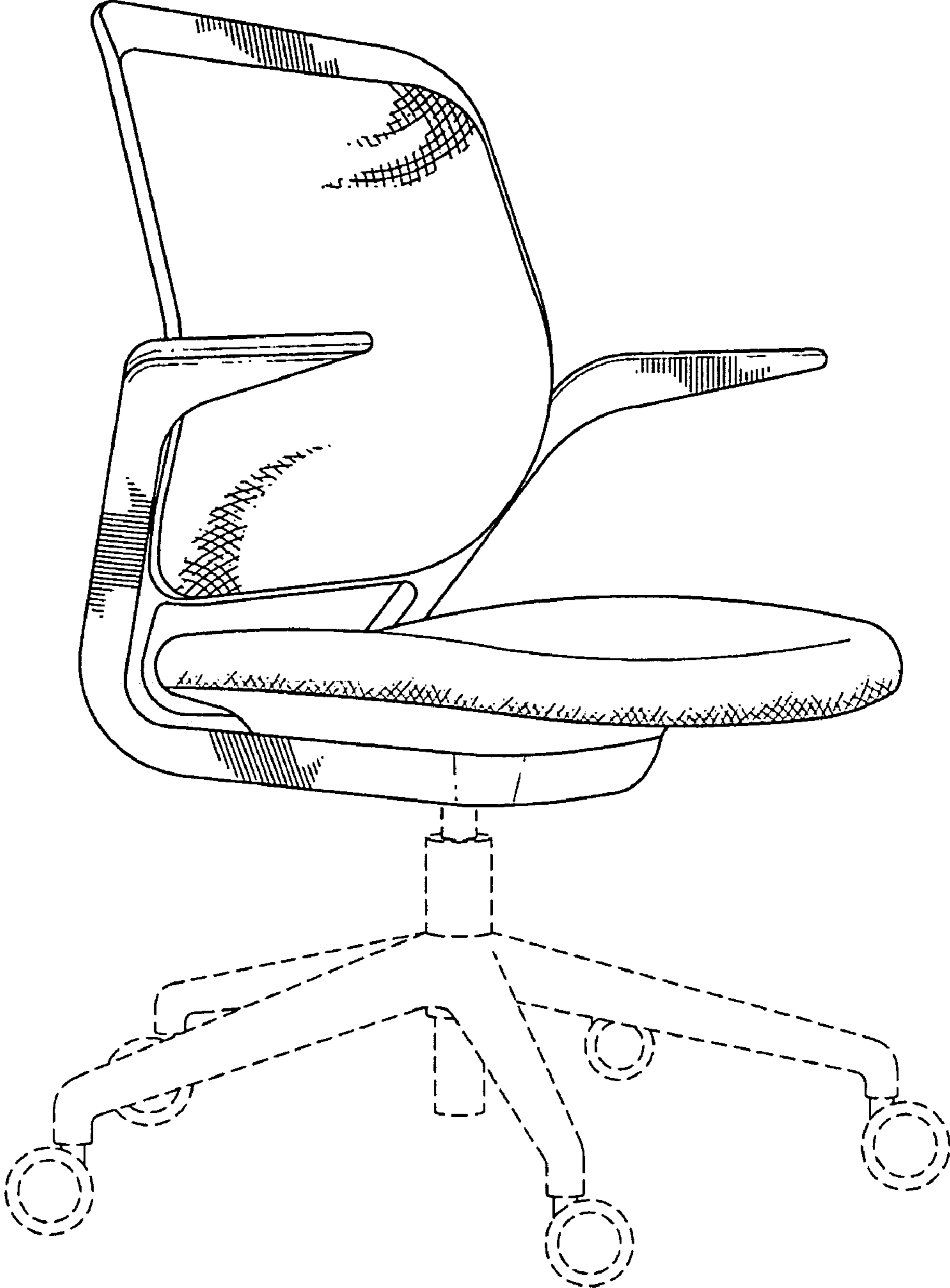
# US D654,291 S

Page 2

## U.S. PATENT DOCUMENTS

|              |         |                      |        |                 |         |                      |        |
|--------------|---------|----------------------|--------|-----------------|---------|----------------------|--------|
| 5,040,847 A  | 8/1991  | Nguyen               |        | 6,619,749 B2    | 9/2003  | Willy                |        |
| 5,102,196 A  | 4/1992  | Kaneda et al.        |        | 6,688,687 B2    | 2/2004  | Chu                  |        |
| D330,292 S   | 10/1992 | Nguyen               |        | 6,698,833 B2    | 3/2004  | Ball et al.          |        |
| D332,530 S   | 1/1993  | Nguyen               |        | 6,712,427 B1    | 3/2004  | Bourdkane et al.     |        |
| D341,265 S   | 11/1993 | Gehry                |        | 6,725,523 B2    | 4/2004  | Chiang               |        |
| D343,317 S   | 1/1994  | Poo                  |        | 6,739,671 B2    | 5/2004  | De Maina             |        |
| D344,191 S   | 2/1994  | Gehry                |        | 6,752,464 B1    | 6/2004  | Tseng                |        |
| D344,202 S   | 2/1994  | Schwartz             |        | 6,755,467 B1    | 6/2004  | Chu                  |        |
| D345,656 S   | 4/1994  | Theobald             |        | 6,839,950 B2    | 1/2005  | Guillot              |        |
| 5,333,934 A  | 8/1994  | Knoblock             |        | D506,629 S      | 6/2005  | Koepke et al.        |        |
| 5,352,022 A  | 10/1994 | Knoblock             |        | 6,913,315 B2    | 7/2005  | Ball et al.          |        |
| 5,366,273 A  | 11/1994 | Bresch               |        | D509,975 S      | 9/2005  | Pan                  |        |
| D360,538 S   | 7/1995  | Skalka               |        | D510,671 S      | 10/2005 | Wu                   |        |
| 5,435,621 A  | 7/1995  | Komorowski et al.    |        | 6,969,115 B2    | 11/2005 | Bourdkane et al.     |        |
| 5,487,591 A  | 1/1996  | Knoblock             |        | 6,971,717 B1    | 12/2005 | Rhodes               |        |
| 5,498,065 A  | 3/1996  | Tosoni               |        | 6,991,285 B1    | 1/2006  | Hemenway             |        |
| 5,577,811 A  | 11/1996 | Ogg                  |        | 7,032,971 B2    | 4/2006  | Williams             |        |
| 5,611,598 A  | 3/1997  | Knoblock             |        | 7,097,247 B2    | 8/2006  | Batthey et al.       |        |
| 5,664,835 A  | 9/1997  | Desanta              |        | 7,128,373 B2    | 10/2006 | Kurtycz et al.       |        |
| 5,683,142 A  | 11/1997 | Gunderson et al.     |        | 7,131,694 B1    | 11/2006 | Buffa                |        |
| 5,826,944 A  | 10/1998 | Beneker et al.       |        | D535,838 S *    | 1/2007  | Ritch et al. ....    | D6/500 |
| D407,576 S * | 4/1999  | Ritch et al. ....    | D6/500 | D538,055 S *    | 3/2007  | Kang .....           | D6/366 |
| 5,938,284 A  | 8/1999  | Coffield             |        | D543,374 S *    | 5/2007  | Huerlimann .....     | D6/380 |
| D413,452 S   | 9/1999  | Rhienen              |        | 7,216,933 B2    | 5/2007  | Schmidt et al.       |        |
| D420,824 S   | 2/2000  | Lin                  |        | D546,085 S *    | 7/2007  | Ritch et al. ....    | D6/366 |
| 6,019,428 A  | 2/2000  | Coffield             |        | 7,252,339 B2    | 8/2007  | Owens                |        |
| 6,027,171 A  | 2/2000  | Partington et al.    |        | D553,376 S *    | 10/2007 | Nakamura et al. .... | D6/366 |
| 6,186,594 B1 | 2/2001  | Valiquette et al.    |        | D554,877 S *    | 11/2007 | Tsai .....           | D6/366 |
| 6,378,942 B1 | 4/2002  | Chu                  |        | 7,331,633 B2    | 2/2008  | Balensiefer et al.   |        |
| D457,023 S * | 5/2002  | Ball et al. ....     | D6/502 | D576,814 S *    | 9/2008  | Baldanzi .....       | D6/366 |
| D457,739 S * | 5/2002  | Pearce et al. ....   | D6/366 | D587,915 S *    | 3/2009  | Igarashi .....       | D6/366 |
| 6,386,638 B1 | 5/2002  | Strauch              |        | 2002/0003371 A1 | 1/2002  | Link                 |        |
| D459,923 S * | 7/2002  | Chu .....            | D6/502 | 2005/0093354 A1 | 5/2005  | Ball et al.          |        |
| 6,419,318 B1 | 7/2002  | Albright             |        | 2007/0035169 A1 | 2/2007  | Sawyer               |        |
| D469,284 S * | 1/2003  | Holbrook et al. .... | D6/500 | 2007/0057548 A1 | 3/2007  | Buffa                |        |
| 6,523,898 B1 | 2/2003  | Ball et al.          |        | 2007/0057549 A1 | 3/2007  | Ball et al.          |        |

\* cited by examiner



*FIG. 1*

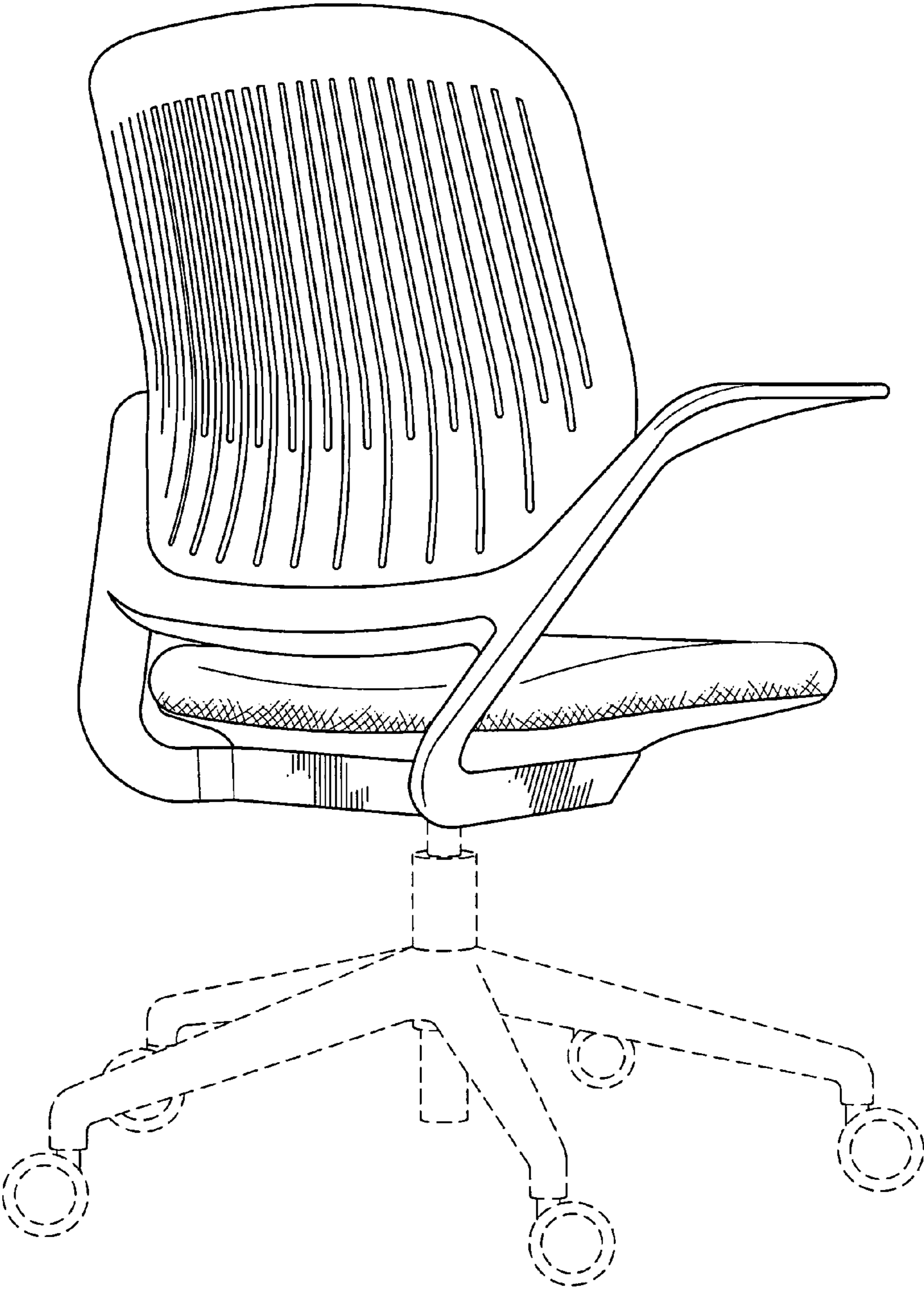
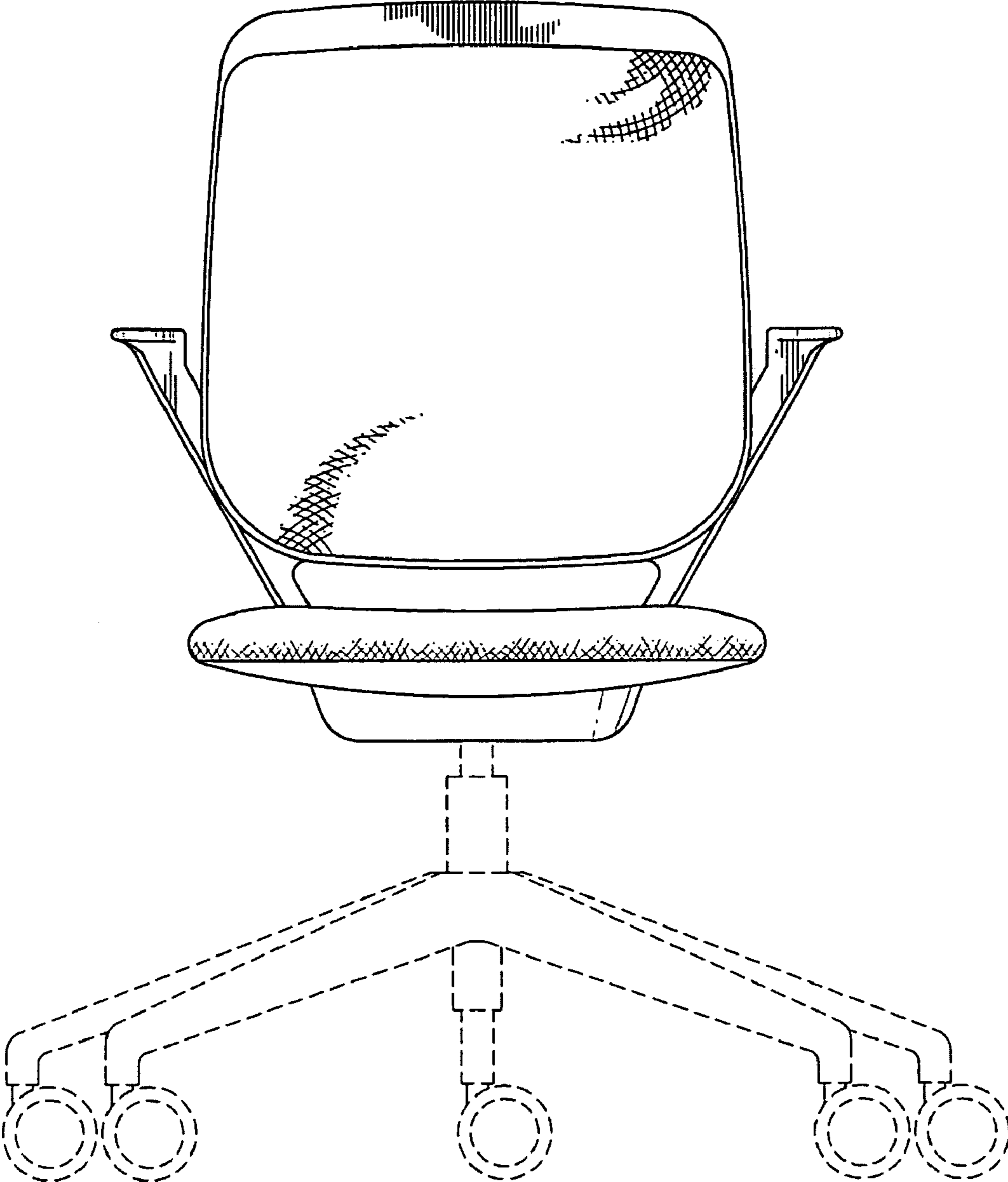
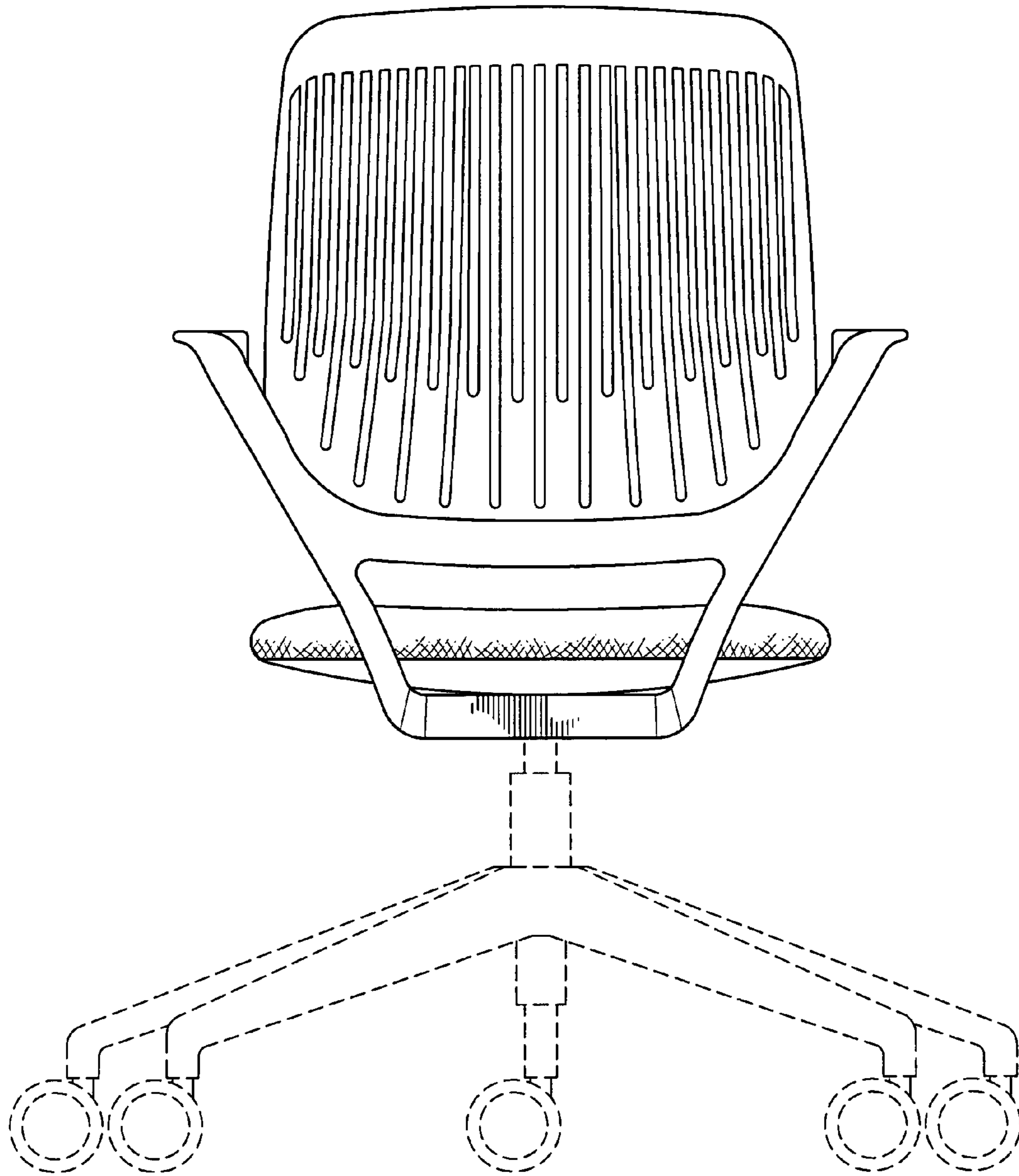


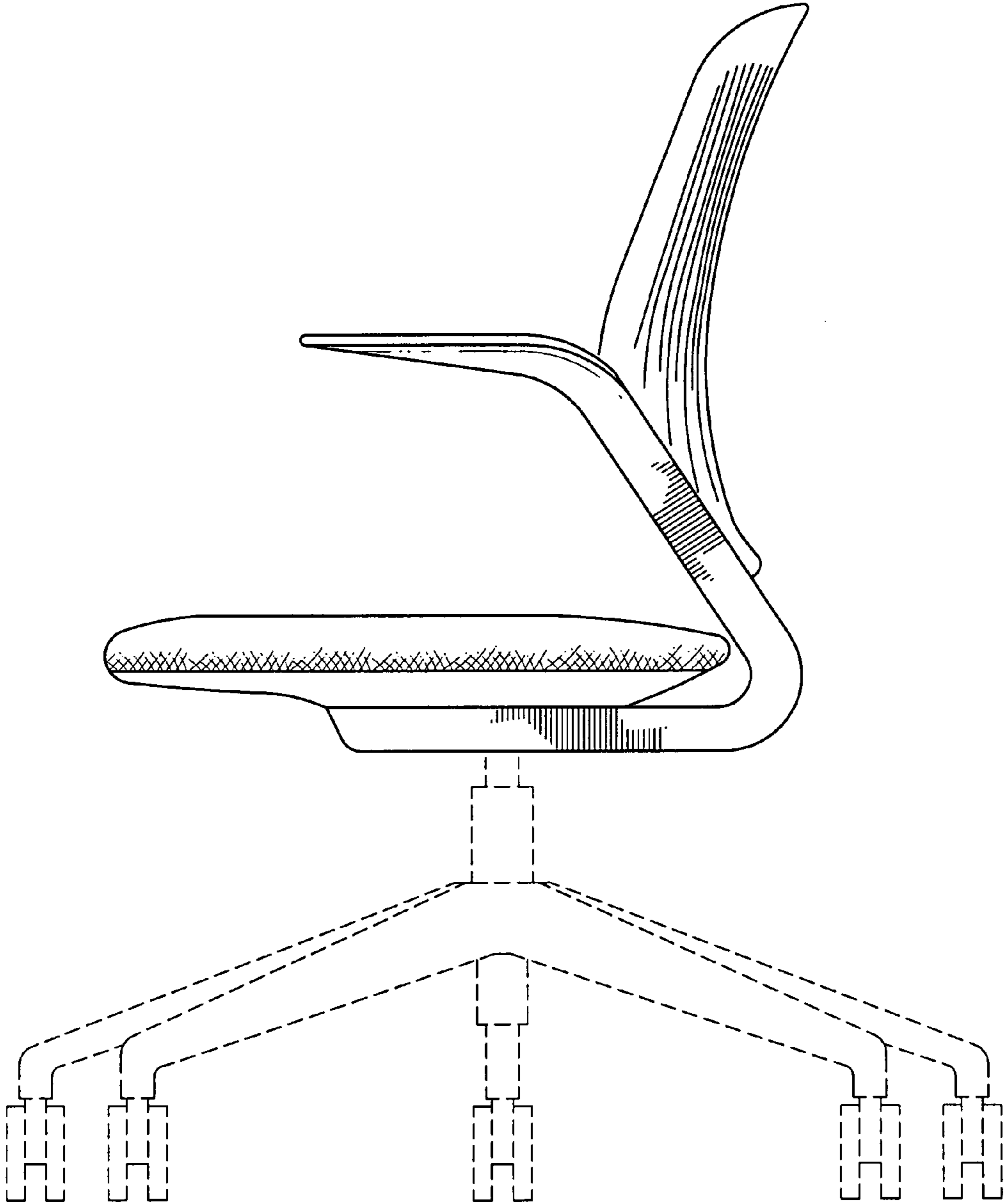
FIG. 2



*FIG. 3*



**FIG. 4**



*FIG. 5*