



US00D654289S

(12) **United States Design Patent**
Zambelli

(10) **Patent No.:** **US D654,289 S**
(45) **Date of Patent:** **** Feb. 21, 2012**

- (54) **AUDIO VIDEO SHELVING UNIT**
- (75) **Inventor:** **Michael P. Zambelli**, Basking Ridge, NJ (US)
- (73) **Assignee:** **Bell'O International Corp.**, Morganville, NJ (US)
- (**) **Term:** **14 Years**
- (21) **Appl. No.:** **29/354,829**
- (22) **Filed:** **Jan. 29, 2010**
- (51) **LOC (9) Cl.** **06-04**
- (52) **U.S. Cl.** **D6/470**
- (58) **Field of Classification Search** D6/432-448, D6/470, 477, 478, 479; 312/7.2, 9.1, 109, 312/114, 117, 138.1, 204, 237, 257.1, 278, 312/279

See application file for complete search history.

(56) **References Cited**

U.S. PATENT DOCUMENTS

- D364,053 S * 11/1995 Hayashi et al. D6/470
- D367,570 S * 3/1996 Walters et al. D6/436
- D454,731 S 3/2002 Niitsu et al.
- D458,053 S 6/2002 Luong
- D472,073 S 3/2003 de Carolis
- D472,074 S 3/2003 de Carolis
- D472,075 S 3/2003 de Carolis
- D489,548 S 5/2004 Malizia et al.
- D491,748 S 6/2004 de Carolis
- D491,749 S 6/2004 Malizia et al.
- D491,750 S 6/2004 Bertoncini et al.
- D491,753 S 6/2004 de Carolis
- D492,860 S 7/2004 Bertoncini et al.
- D493,982 S 8/2004 de Carolis
- D496,807 S 10/2004 de Carolis
- D497,060 S 10/2004 Chang et al.
- D497,061 S 10/2004 Decarolis
- D499,582 S * 12/2004 McDiarmid D6/470
- D505,573 S 5/2005 Malizia

- D506,329 S 6/2005 Sexton
- D507,433 S 7/2005 Portnoy
- D507,900 S 8/2005 Sexton
- D508,172 S 8/2005 Malizia et al.
- D515,337 S 2/2006 de Carolis
- D515,849 S 2/2006 Niu
- D516,838 S 3/2006 Portnoy
- D516,840 S 3/2006 de Carolis
- D516,847 S 3/2006 Stenhouse et al.
- D519,757 S 5/2006 Portnoy
- D524,080 S 7/2006 Stenhouse et al.
- D525,052 S 7/2006 Malizia et al.
- D525,054 S 7/2006 Stenhouse et al.
- D527,208 S 8/2006 Malizia et al.
- D535,497 S 1/2007 Portnoy
- D537,656 S 3/2007 Stenhouse et al.
- D542,059 S 5/2007 Moyle et al.

(Continued)

OTHER PUBLICATIONS

Bell'O 2005-2006 Product Catalog.

Primary Examiner — Mimosa De

(74) *Attorney, Agent, or Firm* — Lerner, David, Littenberg, Krumholz & Mentlik, LLP

(57) **CLAIM**

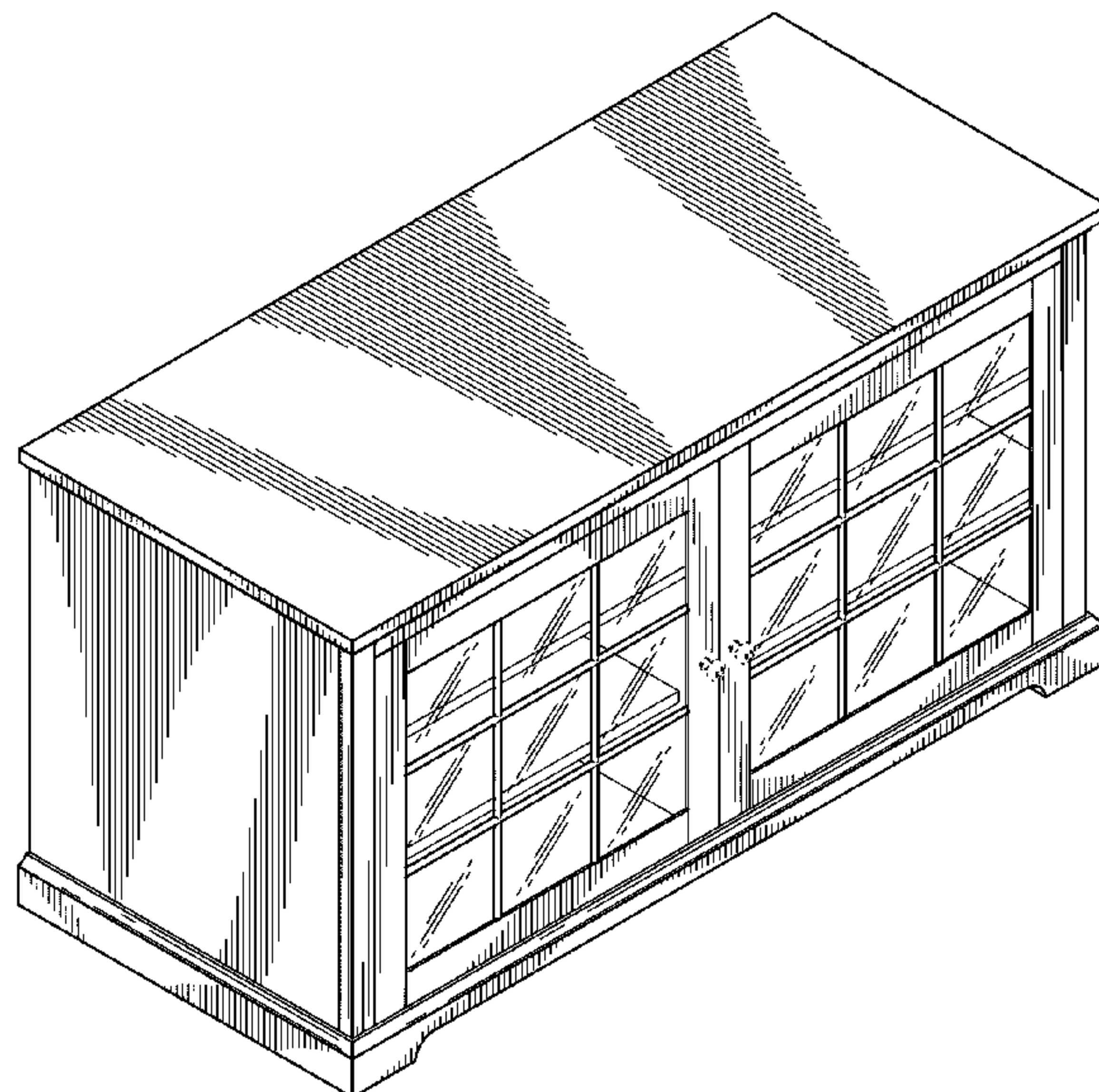
The ornamental design for audio video shelving unit, as shown and described.

DESCRIPTION

FIG. 1 is a front perspective view of a first embodiment of the audio video shelving unit;
FIG. 2 is a front elevational view thereof;
FIG. 3 is a rear elevational view thereof;
FIG. 4 is a right side view thereof (the left side being a mirror image of the right side view); and,
FIG. 5 is a top plan view thereof.

The broken lines shown on the drawings are included for the purpose of illustration and form no part of the claimed design.

1 Claim, 5 Drawing Sheets



US D654,289 S

Page 2

U.S. PATENT DOCUMENTS

D543,729 S	6/2007	Weatherly	
D549,991 S	9/2007	Stravitz	
D554,393 S	11/2007	Yalif	
D555,397 S	11/2007	Yalif	
D559,583 S	1/2008	Zambelli	
D559,584 S	1/2008	Zambelli	
D560,077 S	1/2008	Zambelli	
D562,593 S	2/2008	Zambelli	
D564,260 S	3/2008	deCarolis	
D564,261 S	3/2008	Sculler	
D564,789 S	3/2008	deCarolis	
D564,796 S	3/2008	Zambelli	
D586,585 S *	2/2009	Hynes	D6/470
D587,483 S	3/2009	Zambelli	
D587,496 S	3/2009	Weitz	
D587,497 S	3/2009	Zambelli	
D589,280 S	3/2009	Zambelli	
D590,636 S	4/2009	Ou Yang et al.	
D590,637 S	4/2009	Portnoy	
D592,428 S	5/2009	Zambelli	
D594,248 S	6/2009	Zambelli	
D595,978 S	7/2009	Portnoy et al.	
D599,584 S	9/2009	Zambelli	
D604,251 S	11/2009	Hwang	
D605,874 S	12/2009	Zambelli	
D623,442 S *	9/2010	Zambelli	D6/470
D623,443 S *	9/2010	Zambelli	D6/470
D623,876 S *	9/2010	Zambelli	D6/470
D623,877 S *	9/2010	Zambelli	D6/470
D625,123 S *	10/2010	Zambelli	D6/446

* cited by examiner

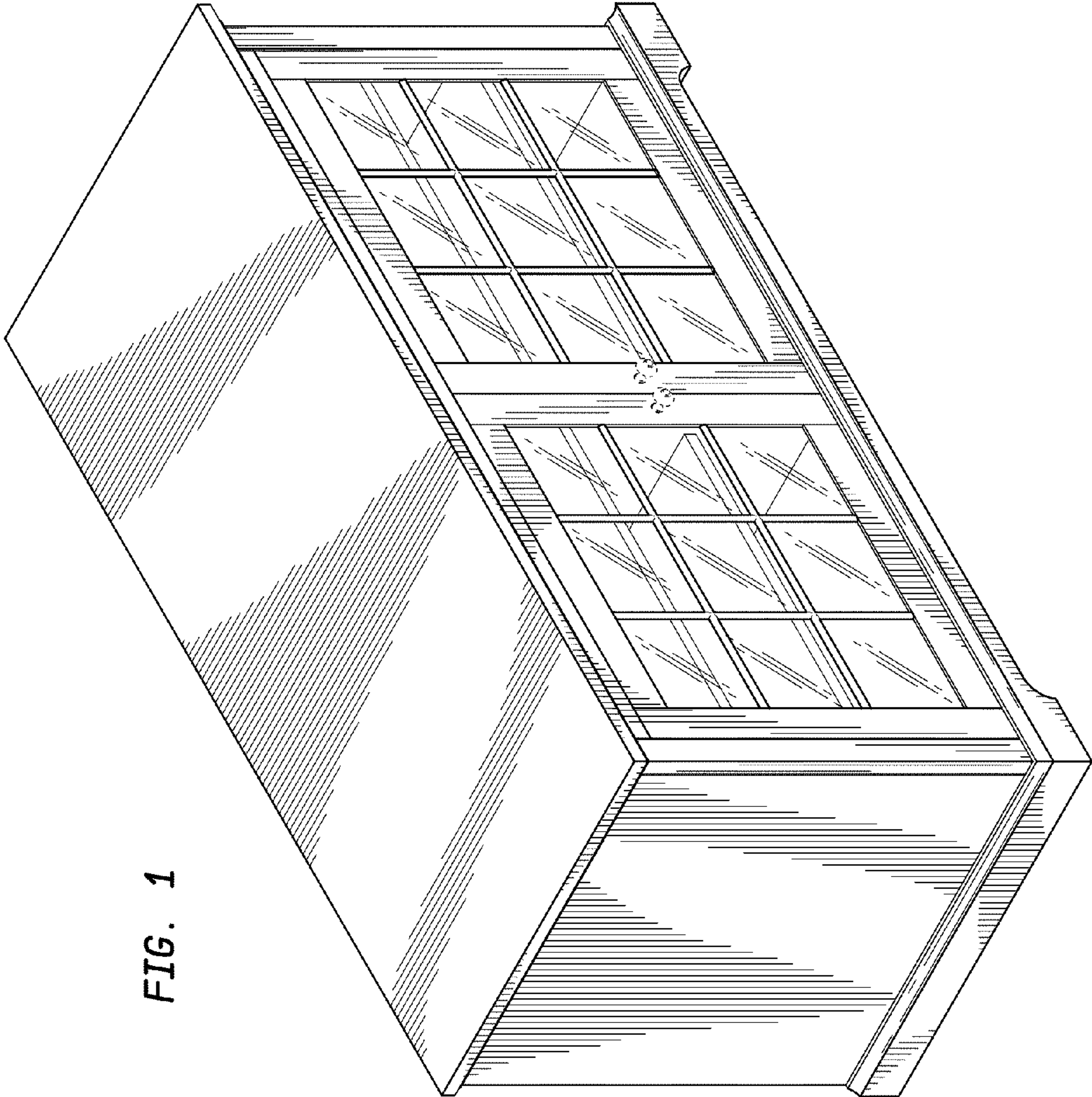


FIG. 1

FIG. 2

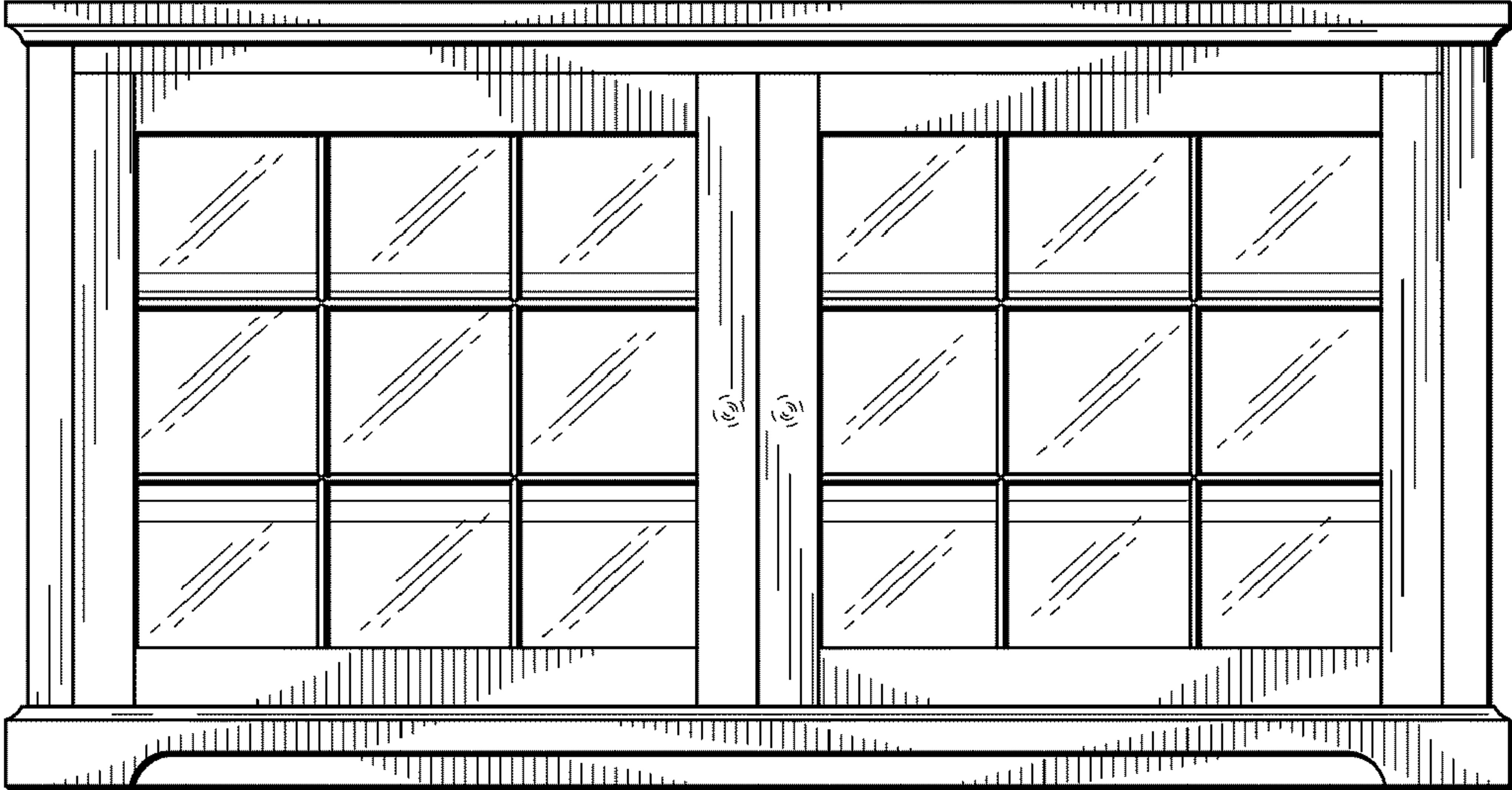


FIG. 3

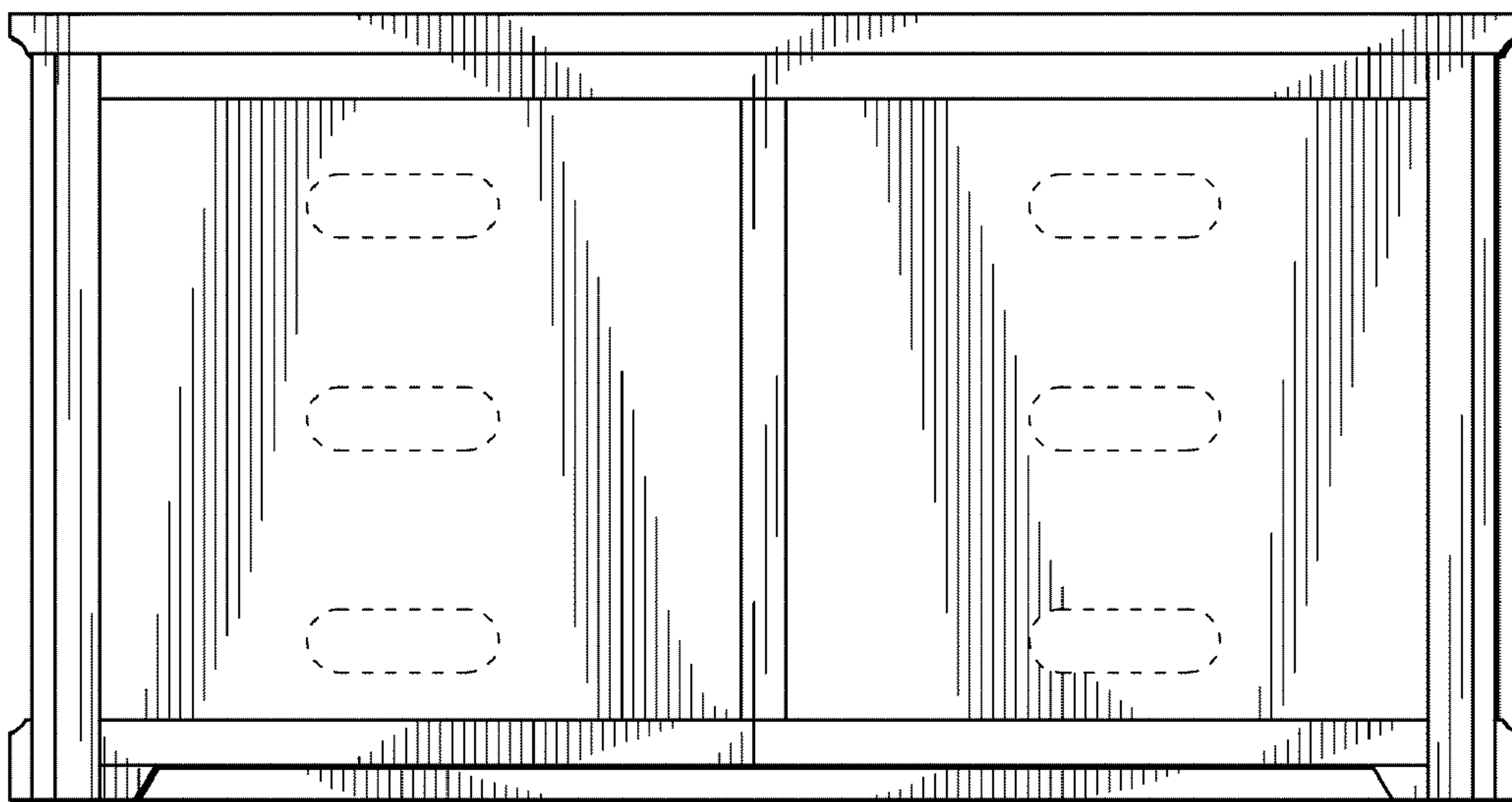


FIG. 4

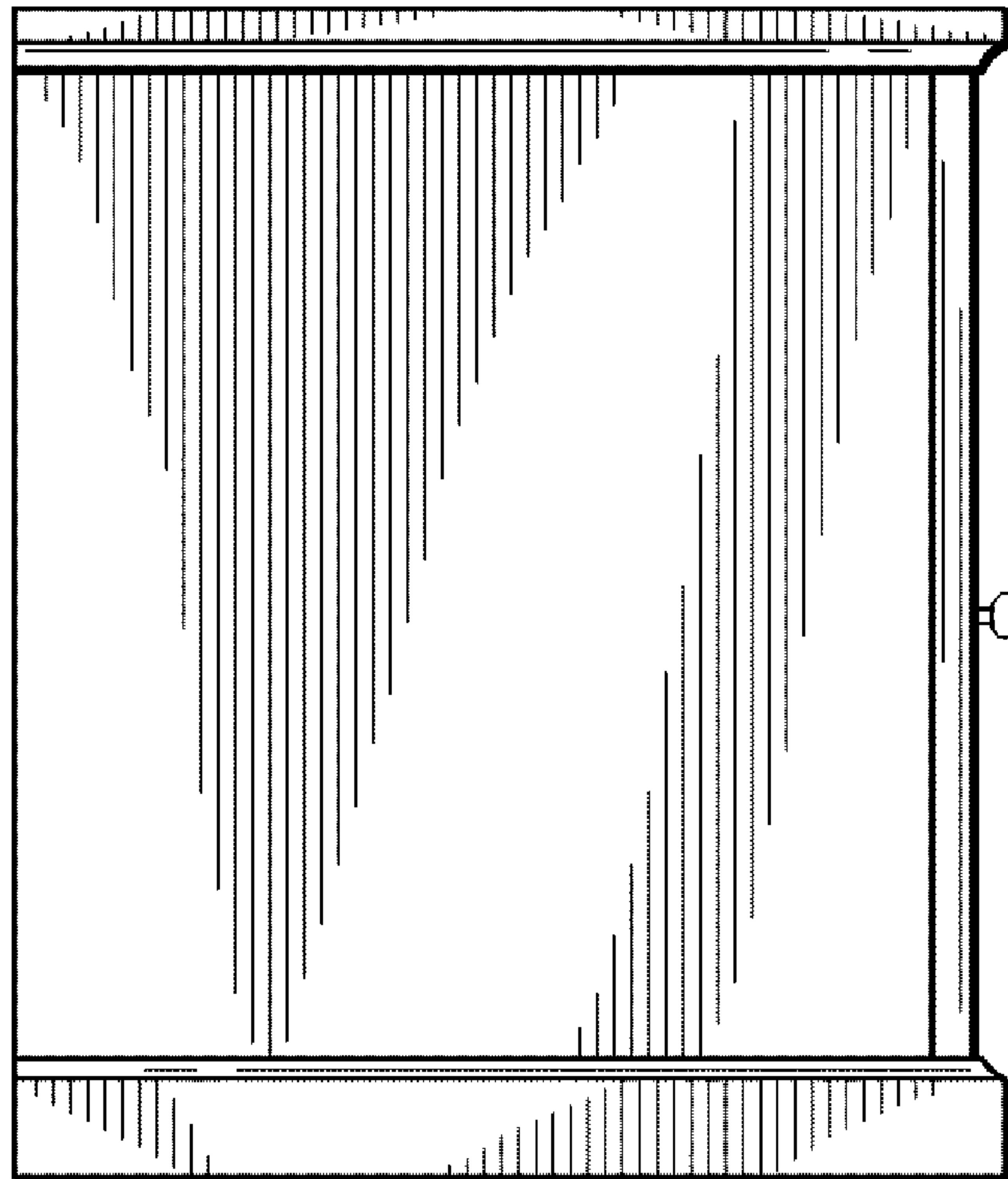


FIG. 5

