



US00D654287S

(12) **United States Design Patent**
Iulita

(10) **Patent No.:** **US D654,287 S**

(45) **Date of Patent:** **** Feb. 21, 2012**

(54) **ADJUSTABLE PLATFORM**

(75) Inventor: **Luigi Iulita**, Spilimbergo (IT)

(73) Assignee: **Stylgame S.R.L.**, Spilimbergo
(Pordenone) (IT)

(**) Term: **14 Years**

(21) Appl. No.: **29/363,785**

(22) Filed: **Jun. 14, 2010**

(30) **Foreign Application Priority Data**

Jun. 3, 2010 (EM) 001715442

(51) **LOC (9) Cl.** **06-04**

(52) **U.S. Cl.** **D6/397**

(58) **Field of Classification Search** D6/449,
D6/467, 396, 480, 485, 503, 382-384, 555,
D6/511, 477-479, 474, 421; D14/447, 451,
D14/501; D3/297; D25/119; 211/194, 26,
211/134; 361/679.26; 108/43, 57.16, 57.17,
108/57.18, 57.21; 248/188.1, 188.2, 188.4,
248/456; 400/714; D13/119

See application file for complete search history.

(56) **References Cited**

U.S. PATENT DOCUMENTS

D274,729 S * 7/1984 Hovey et al. D14/451
D315,461 S * 3/1991 Hilton D6/474
D326,199 S * 5/1992 Heiligenthal et al. D6/477
D339,250 S * 9/1993 Risom et al. D6/421
5,685,441 A * 11/1997 Calfee 211/194
5,745,341 A * 4/1998 Wolff et al. 361/679.26
D394,172 S * 5/1998 Kubo et al. D6/474
D399,834 S * 10/1998 Calfee D14/451

5,833,200 A * 11/1998 Patterson 248/456
6,010,262 A * 1/2000 Linyear et al. 400/714
D436,760 S * 1/2001 Dow D6/474
D448,950 S * 10/2001 McIveen D6/449
D451,306 S * 12/2001 Dow D6/474
6,968,958 B2 * 11/2005 Lauchner et al. 211/26
D519,121 S * 4/2006 Zamanian D14/447
7,207,449 B1 * 4/2007 Greco 211/134
D561,097 S * 2/2008 Koeske D13/119
D611,342 S * 3/2010 McAlpine D3/297
D616,669 S * 6/2010 McMahon-Miller D6/449
D617,341 S * 6/2010 Kim et al. D14/501
D637,314 S * 5/2011 Zeeff D25/119
2004/0250738 A1 * 12/2004 Conlee 108/43

* cited by examiner

Primary Examiner — Philip S Hyder

Assistant Examiner — Sydney Buffalow

(74) *Attorney, Agent, or Firm* — Themis Law

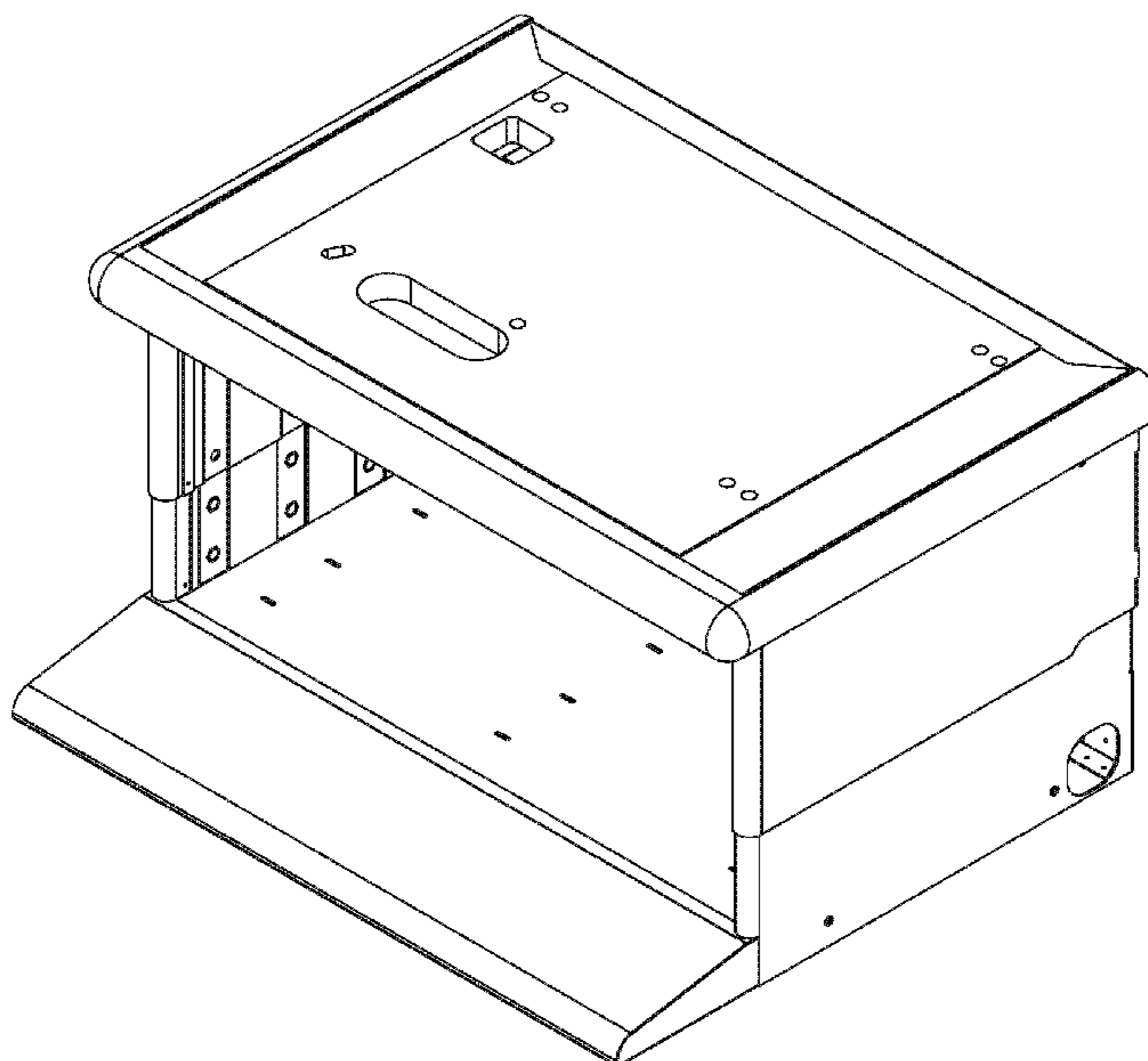
(57) **CLAIM**

The ornamental design for an adjustable platform, as shown and described.

DESCRIPTION

FIG. 1 is a front-right side perspective view of an adjustable platform showing my new design;
FIG. 2 is a rear-right side perspective view thereof;
FIG. 3 is a front elevational view thereof;
FIG. 4 is a rear elevational view thereof;
FIG. 5 is a right side elevational view thereof;
FIG. 6 is a left side elevational view thereof;
FIG. 7 is a top plan view thereof; and,
FIG. 8 is a bottom plan view thereof.
The portions of the figures in broken lines form no part of the claimed design.

1 Claim, 8 Drawing Sheets



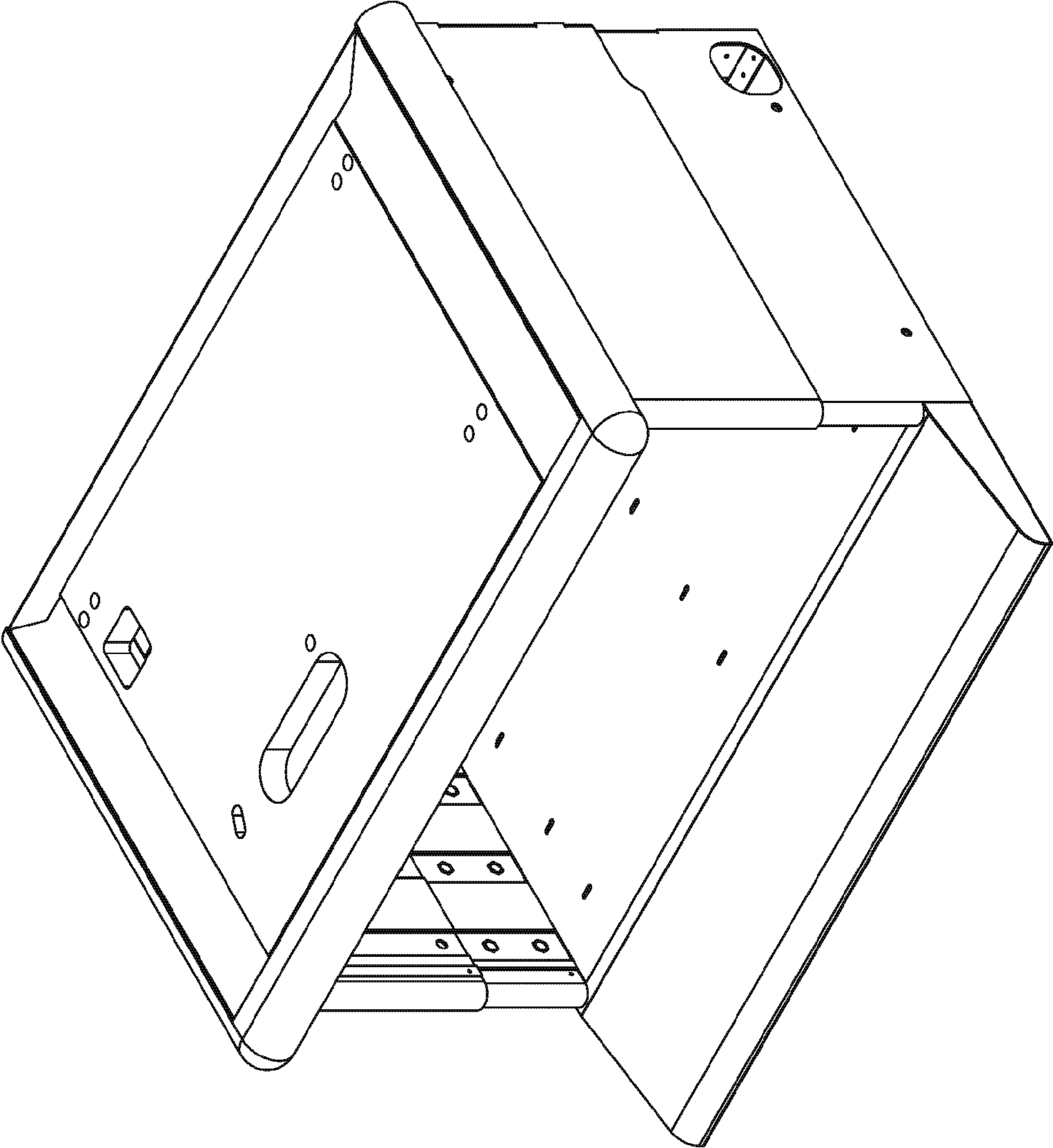


FIG. 1

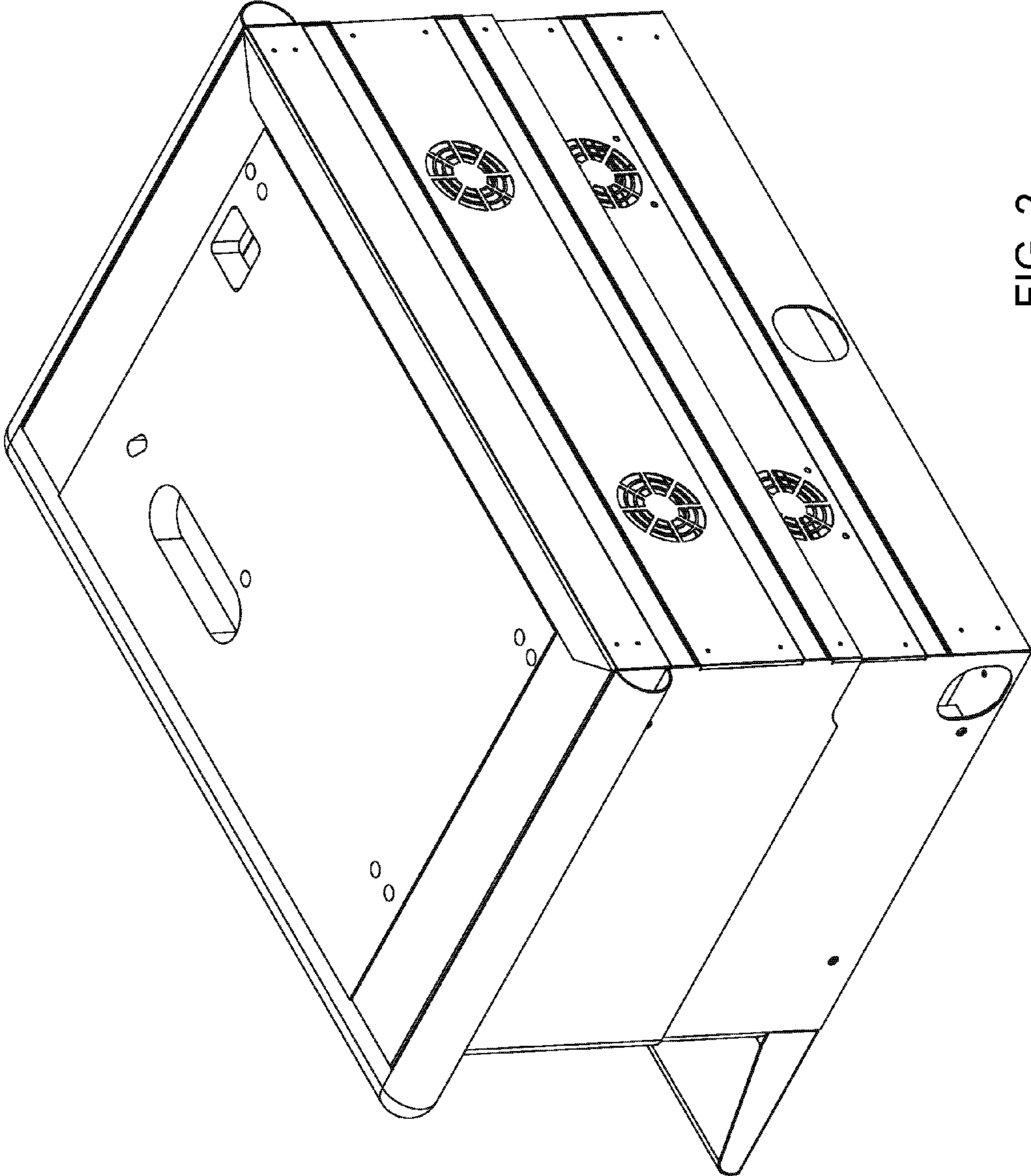


FIG. 2

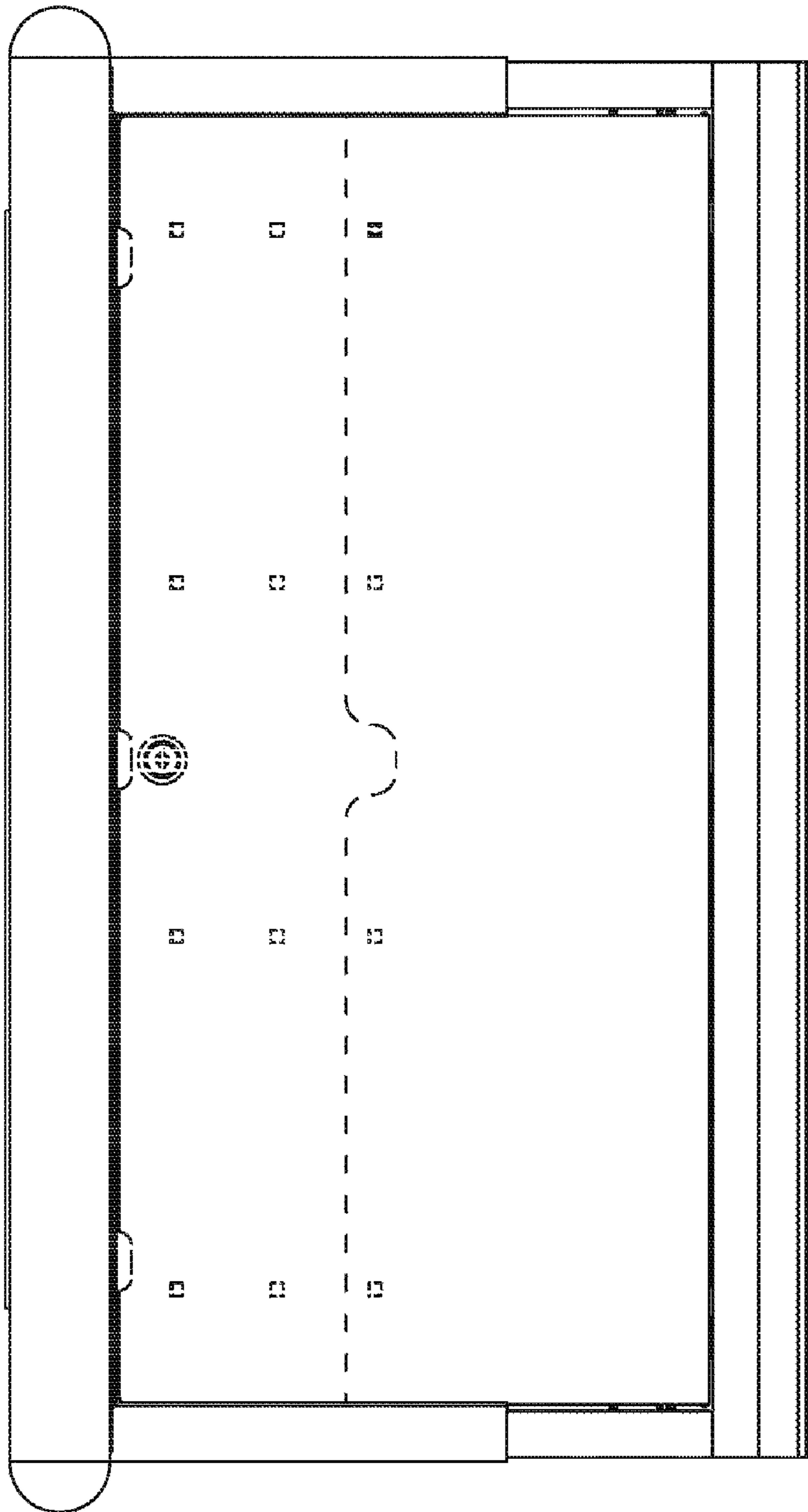


FIG. 3

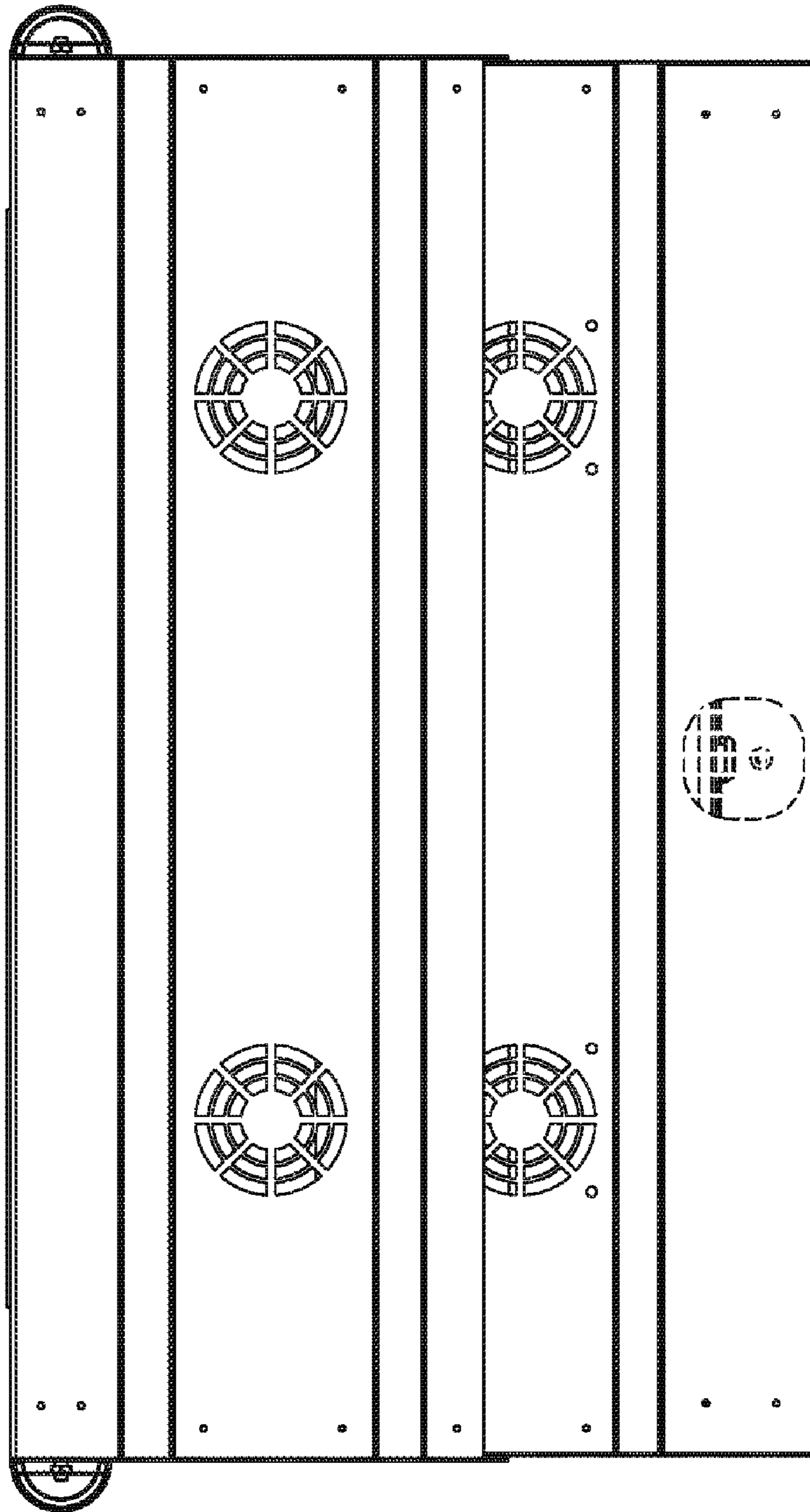


FIG. 4

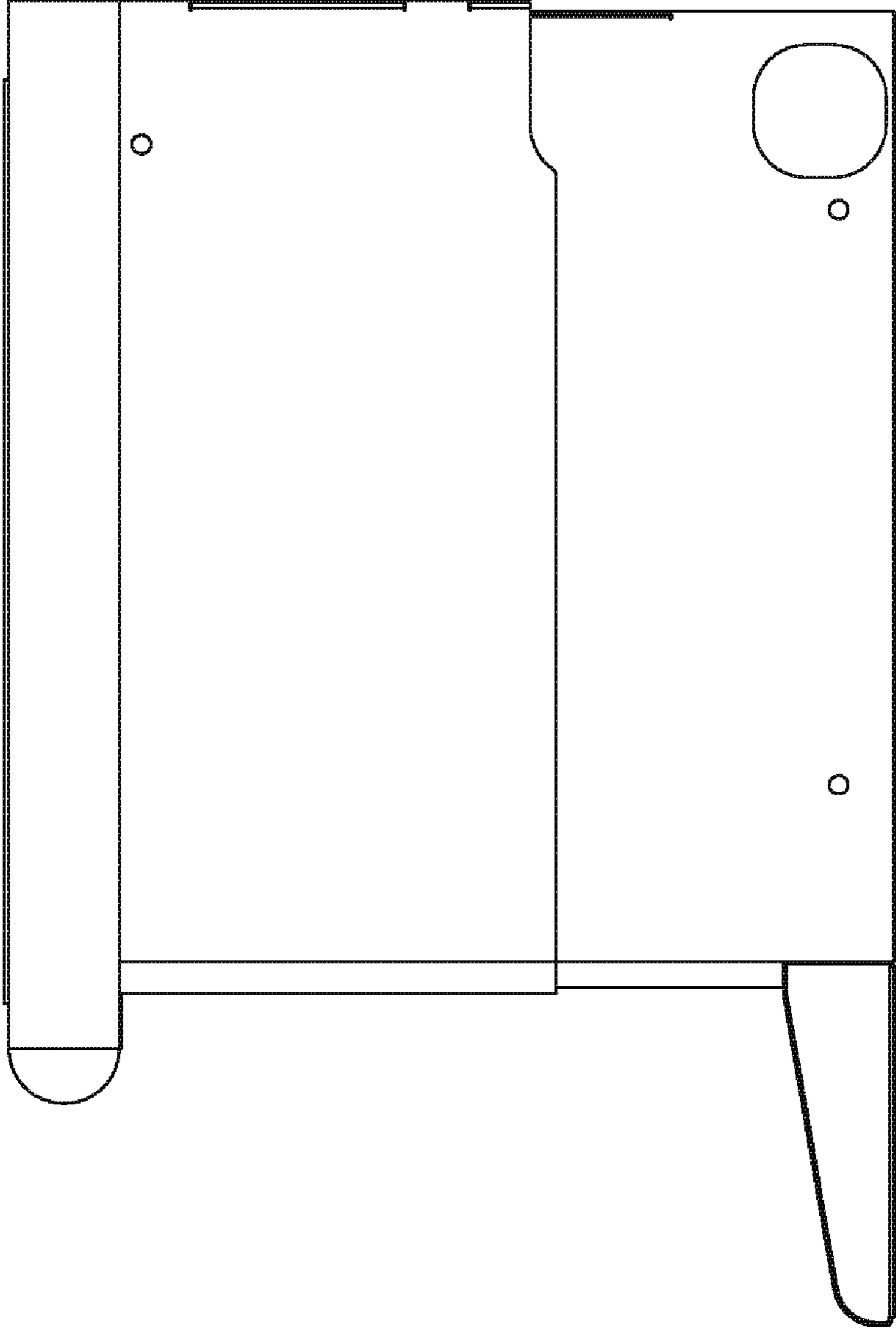


FIG. 5

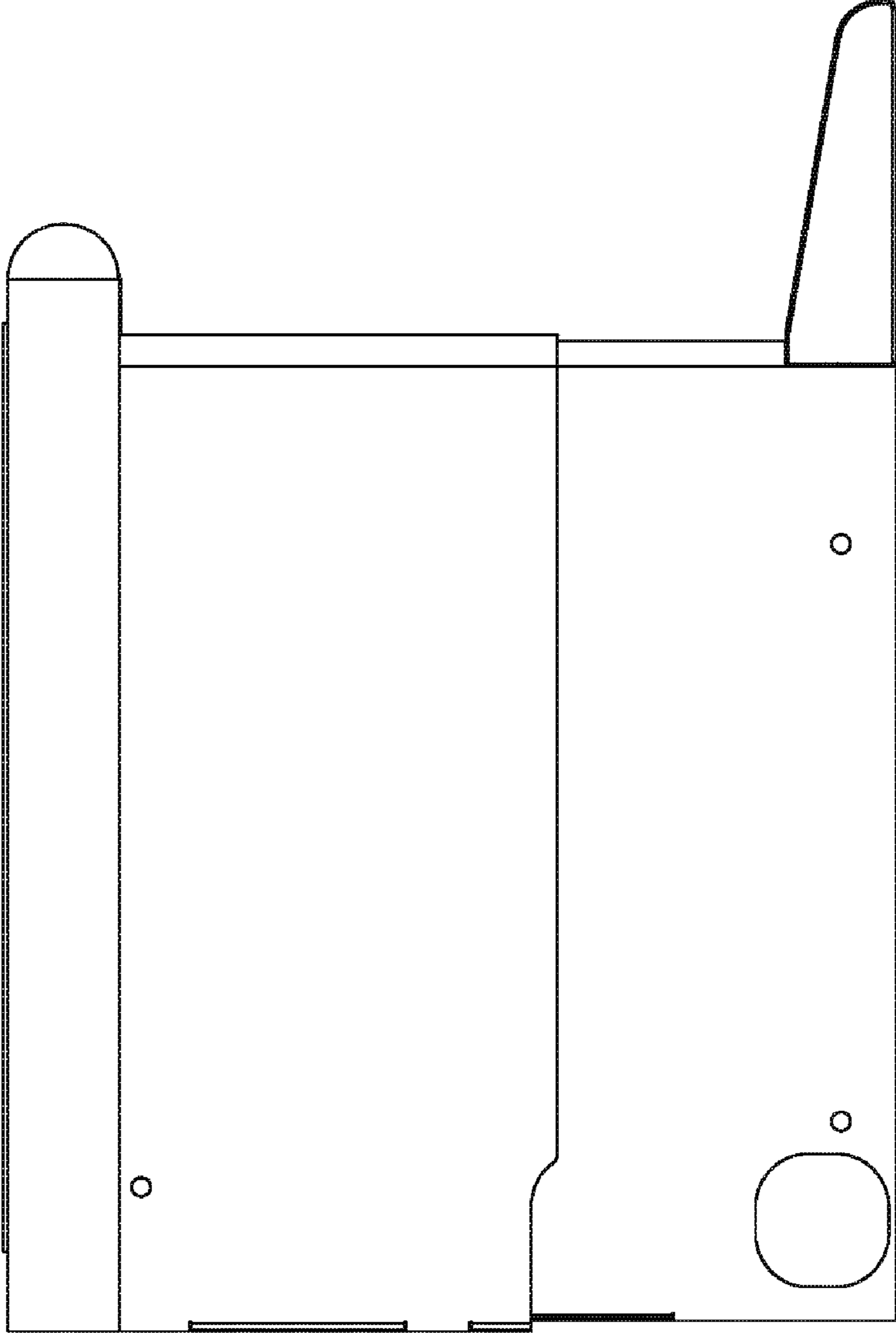


FIG. 6

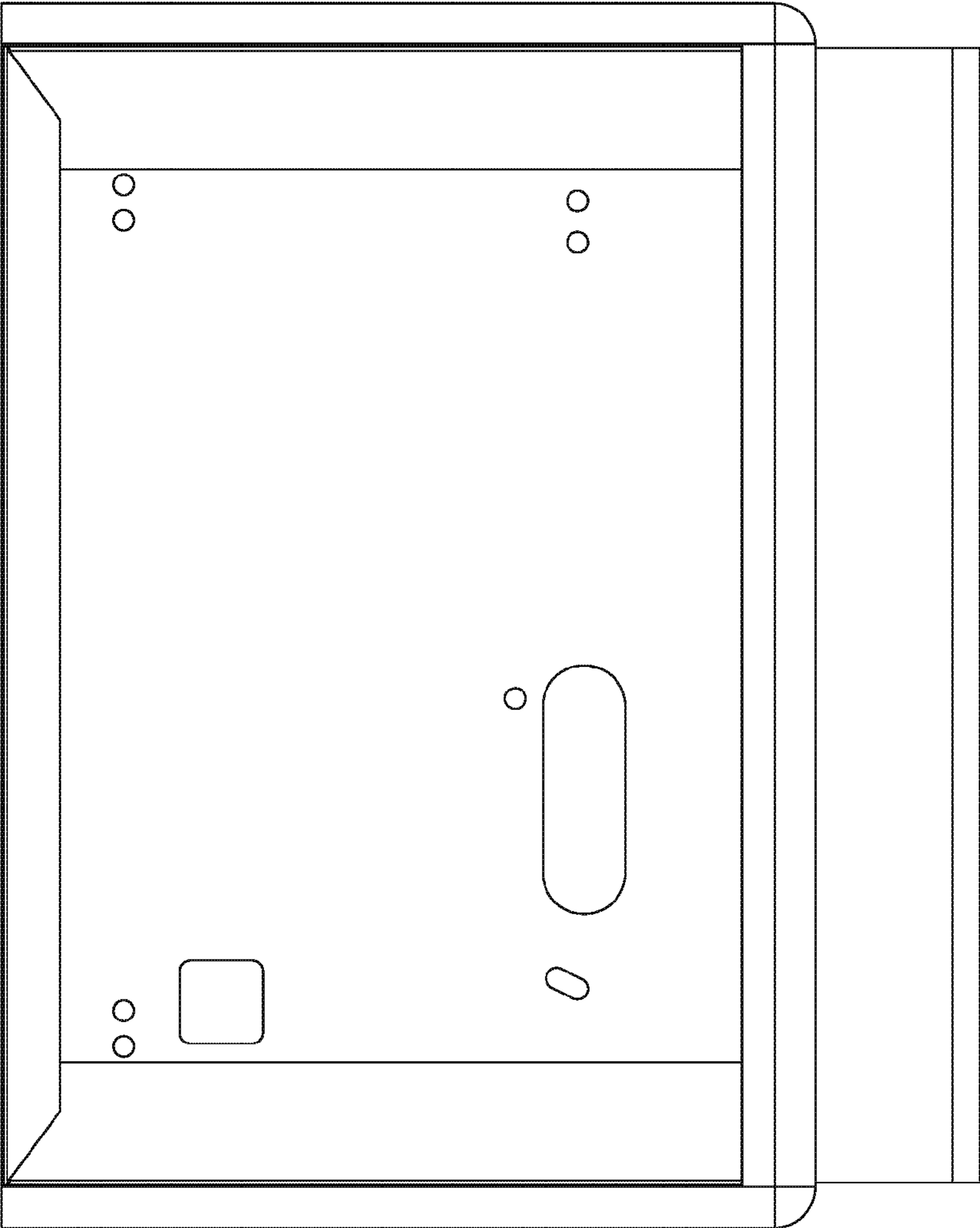


FIG. 7

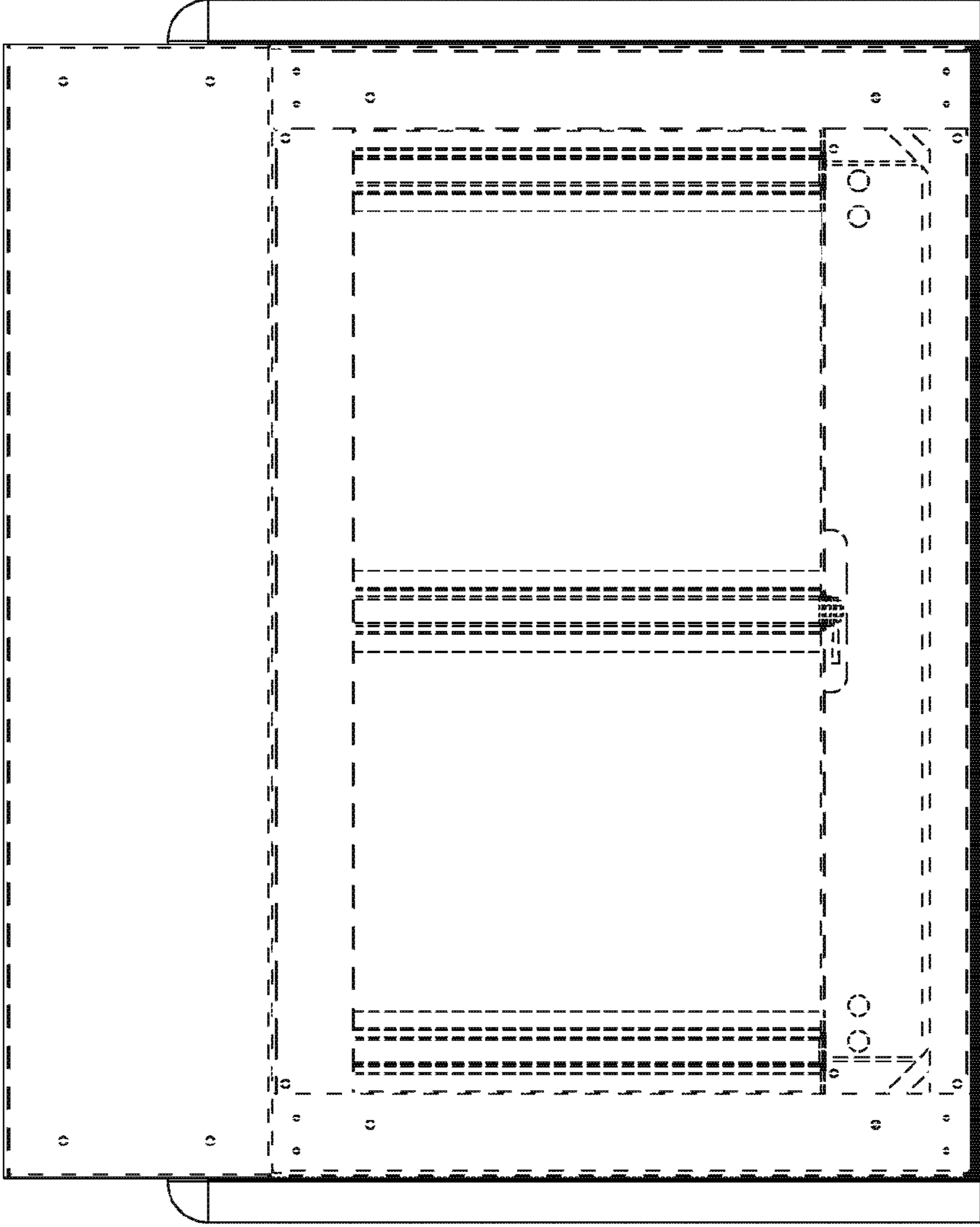


FIG. 8