



US00D654286S

(12) **United States Design Patent**  
**Gasca Burges**

(10) **Patent No.:** **US D654,286 S**  
(45) **Date of Patent:** **\*\* Feb. 21, 2012**

(54) **CHAIR ENTIRELY MADE OF WOOD**

(76) Inventor: **Jesús Gasca Burges**, San Sebastián (ES)

(\*\*) Term: **14 Years**

(21) Appl. No.: **29/375,600**

(22) Filed: **Sep. 24, 2010**

(30) **Foreign Application Priority Data**

Apr. 13, 2010 (EM) ..... 1694340

(51) **LOC (9) Cl.** ..... **06-01**

(52) **U.S. Cl.** ..... **D6/380**

(58) **Field of Classification Search** ..... D6/310,  
D6/334-336, 348, 356-381, 500-502; 297/31,  
297/239, 271.6, 297, 354.12, 411.27, 411.28,  
297/440.13, 440.15, 440.22, 445.1, 446.1,  
297/446.2, 452.13, 452.18

See application file for complete search history.

(56) **References Cited**

**U.S. PATENT DOCUMENTS**

D481,550 S \* 11/2003 Astle ..... D6/374  
D508,339 S \* 8/2005 Astle ..... D6/374  
D513,134 S \* 12/2005 Asano et al. .... D6/380

D513,670 S \* 1/2006 Yamagata ..... D6/380  
D516,830 S \* 3/2006 Leist et al. .... D6/373  
D578,789 S \* 10/2008 Ciani et al. .... D6/380  
7,452,035 B2 \* 11/2008 Astle et al. .... 297/440.22  
D591,968 S \* 5/2009 Pinaffo et al. .... D6/380  
D597,757 S \* 8/2009 Barbieri ..... D6/374  
D600,954 S \* 9/2009 Kumazawa ..... D6/502  
D607,661 S \* 1/2010 Chadwick ..... D6/380  
7,686,395 B2 \* 3/2010 Piretti ..... 297/297  
D645,272 S \* 9/2011 Lissoni ..... D6/376

\* cited by examiner

*Primary Examiner* — Ricky Pham

(74) *Attorney, Agent, or Firm* — Merchant & Gould P.C.

(57) **CLAIM**

The ornamental design for chair entirely made of wood, as shown and described.

**DESCRIPTION**

FIG. 1 is a front view of a chair entirely made of wood showing my new design;

FIG. 2 is a rear view;

FIG. 3 is a side view;

FIG. 4 is a top view;

FIG. 5 is a front perspective view thereof; and,

FIG. 6 is a rear perspective view of thereof.

**1 Claim, 6 Drawing Sheets**

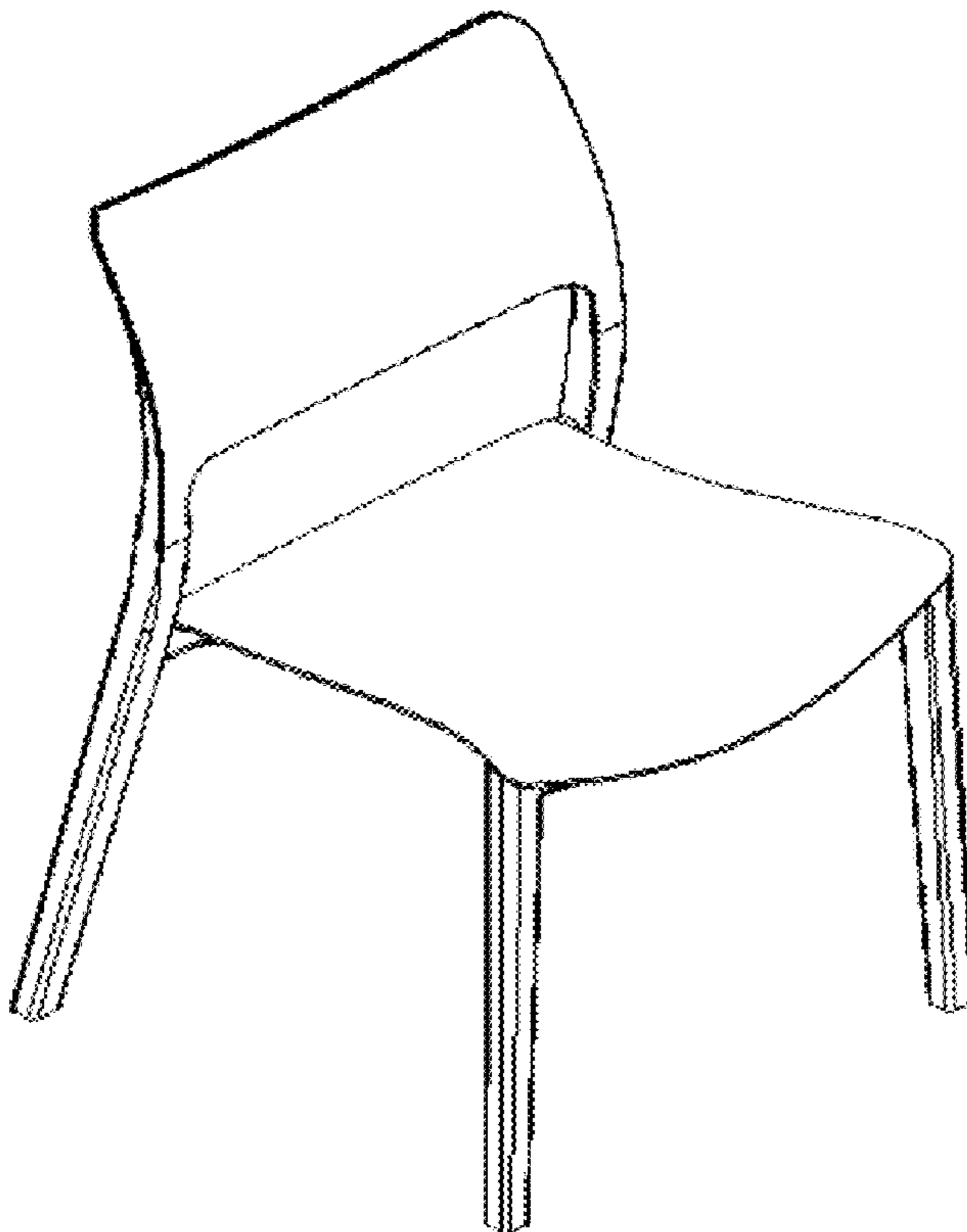


FIG. 1

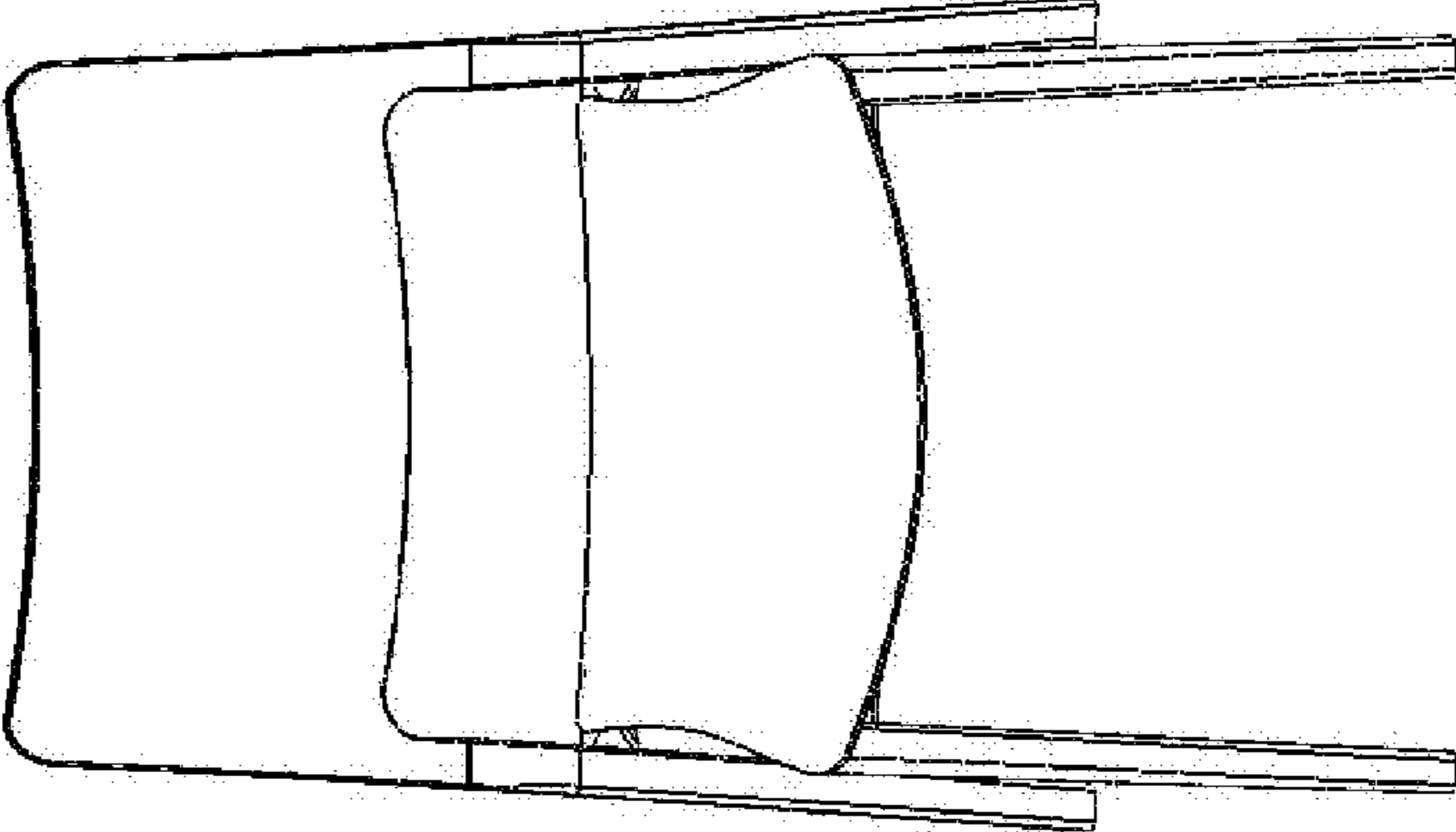


FIG. 2

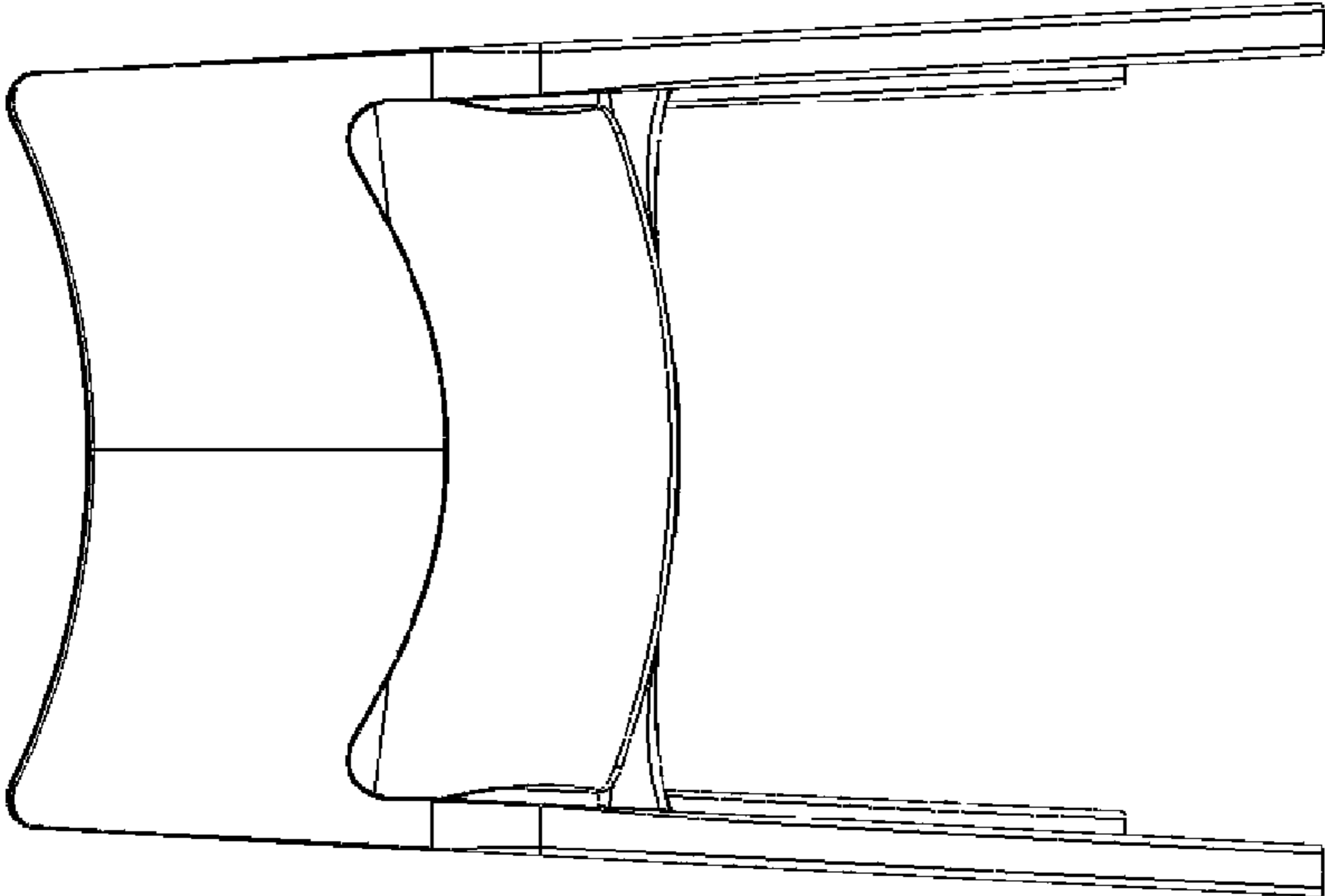


FIG. 3

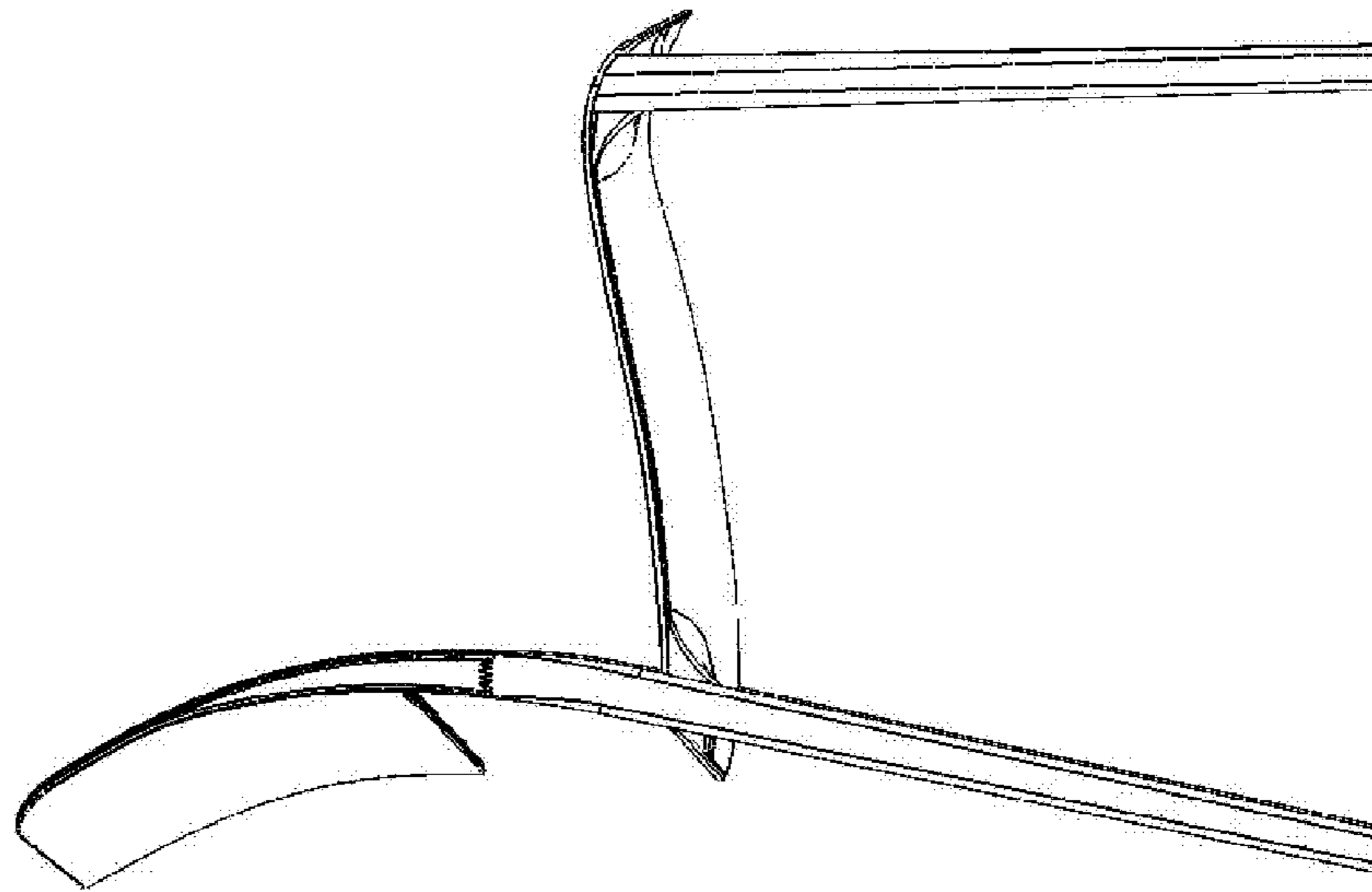


FIG. 4

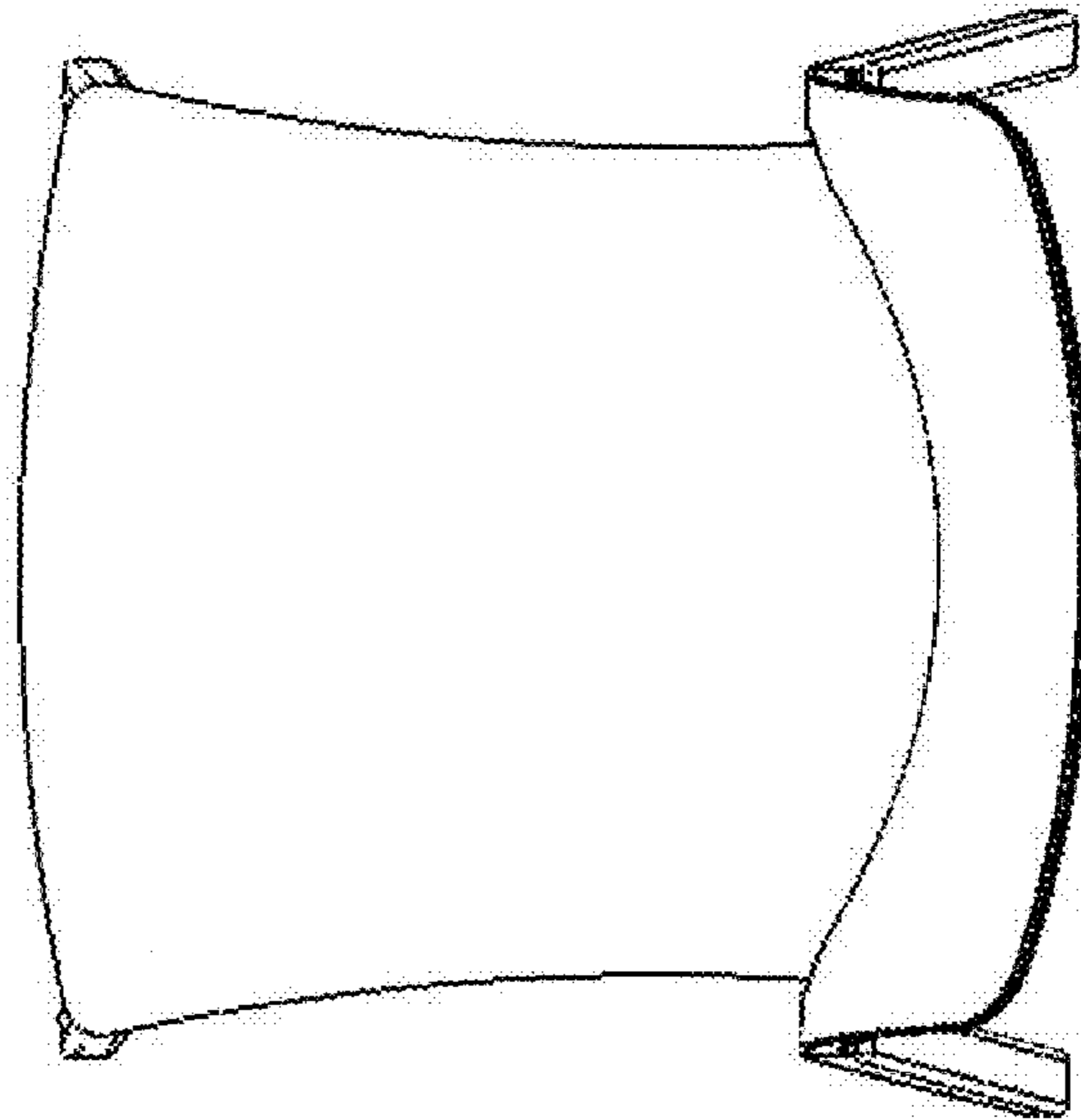


FIG. 5

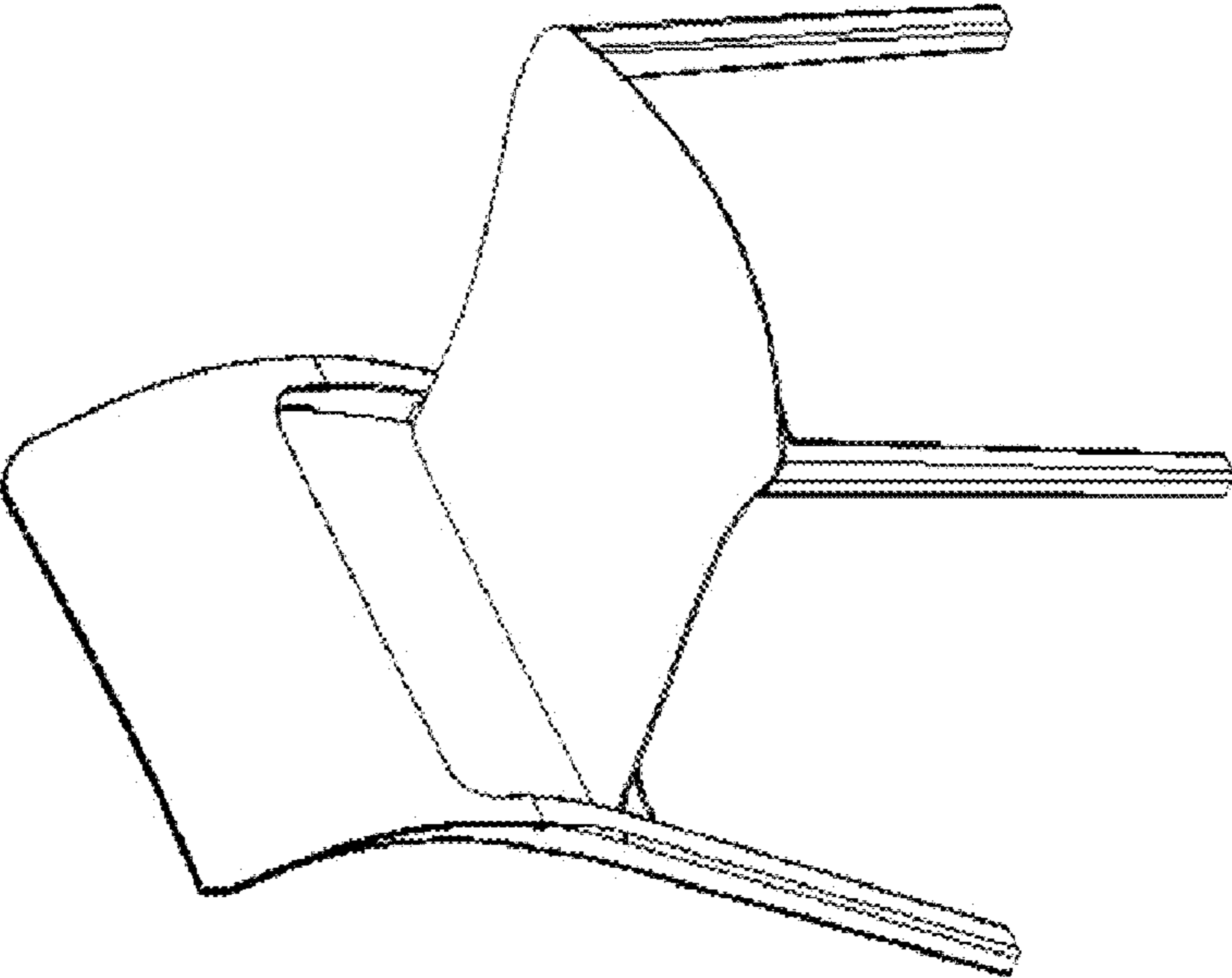


FIG. 6

