



US00D654284S

(12) **United States Design Patent**
Messenger

(10) **Patent No.:** **US D654,284 S**

(45) **Date of Patent:** **** Feb. 21, 2012**

(54) **SECTIONAL SOFA SECTION**

(76) **Inventor:** **Darla Messenger, Las Vegas, NV (US)**

(**) **Term:** **14 Years**

(21) **Appl. No.:** **29/405,902**

(22) **Filed:** **Nov. 8, 2011**

(51) **LOC (9) Cl.** **06-01**

(52) **U.S. Cl.** **D6/378; D6/369**

(58) **Field of Classification Search** D6/334-336,
D6/364, 369, 371-373, 374, 375, 377, 378,
D6/381, 500-502; 297/232, 233, 411.42,
297/411.45, 451.8, 451.9, 452.64

See application file for complete search history.

(56) **References Cited**

U.S. PATENT DOCUMENTS

D131,276 S *	2/1942	Henkel et al.	D6/378
D181,738 S *	12/1957	Lubberts et al.	D6/377
D183,413 S *	8/1958	Wilson	D6/377
D188,318 S *	7/1960	Niederman	D6/335
D234,329 S	2/1975	Rocchia	
D234,331 S	2/1975	Rocchis	
3,890,658 A	6/1975	Petersilie	
D240,481 S *	7/1976	Fister, Jr.	D6/378
D257,455 S *	10/1980	Brooks	D6/378
D273,158 S	3/1984	Dubbin et al.	
D273,253 S	4/1984	Dubbin et al.	
D290,559 S *	6/1987	Raftery	D6/381
D311,283 S *	10/1990	Warren	D6/378
D336,172 S *	6/1993	Gibson	D6/378
D388,630 S	1/1998	Lowman et al.	
D422,156 S	4/2000	Black	

D495,514 S	9/2004	Ricci	
D504,247 S	4/2005	Ricci	
D525,802 S	8/2006	Spear	
D529,729 S	10/2006	Kreiss	
D554,872 S	11/2007	Wimberger	
D562,021 S	2/2008	Smith et al.	
D572,933 S *	7/2008	van Ierssel et al.	D6/378
D577,925 S *	10/2008	Gomez	D6/378
D584,069 S	1/2009	Guinochet	
D588,825 S *	3/2009	van Ierssel et al.	D6/375
D593,764 S	6/2009	Guan	
D614,884 S	5/2010	Metcalf et al.	

* cited by examiner

Primary Examiner — Mimoso De

(74) *Attorney, Agent, or Firm* — Cislo & Thomas, LLP

(57) **CLAIM**

I claim the ornamental design for a sectional sofa section, as shown and described.

DESCRIPTION

FIG. 1 is a front perspective view of my sectional sofa section; FIG. 2 is a rear perspective view thereof; FIG. 3 is a top view thereof; FIG. 4 is a right side view thereof; FIG. 5 is a left side perspective view thereof; and, FIG. 6 is an enlarged view depicting the surface design of my sectional sofa section.

The broken lines are for environmental purposes only and form no part of the claimed design.

The fragmented depictions of weave pattern shown in the views are understood to repeat throughout the areas shown.

1 Claim, 3 Drawing Sheets

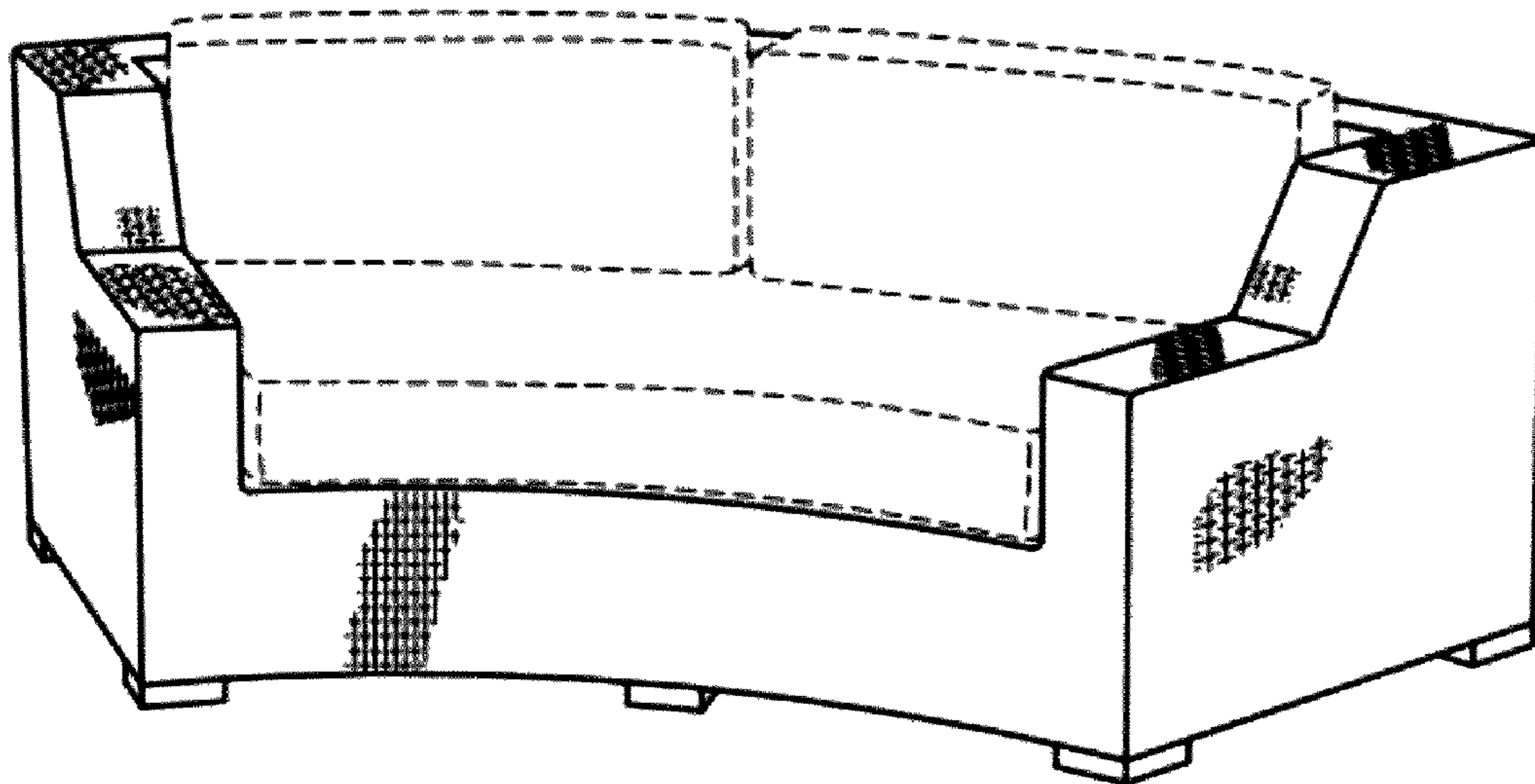


FIG. 1

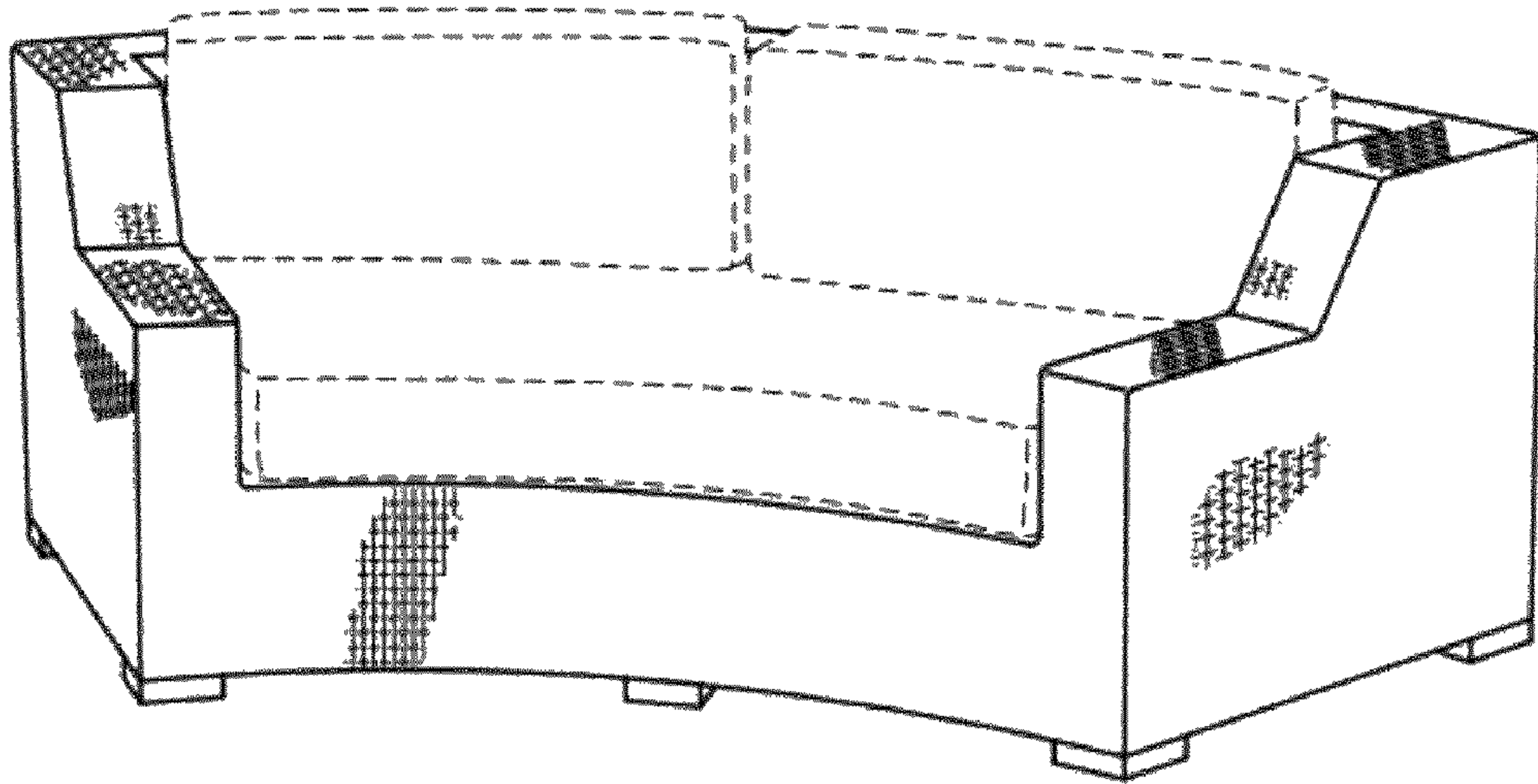


FIG. 2

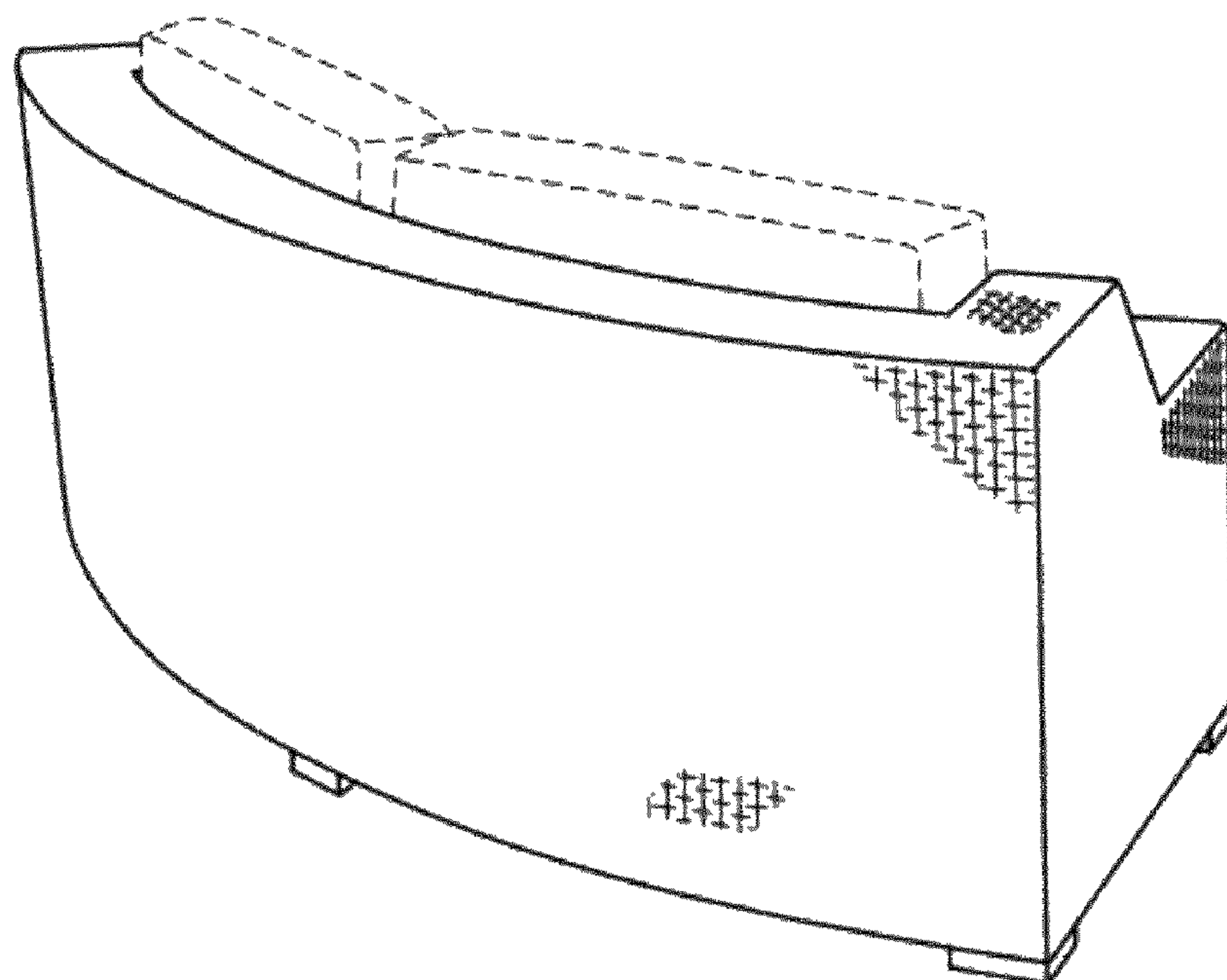


FIG. 3

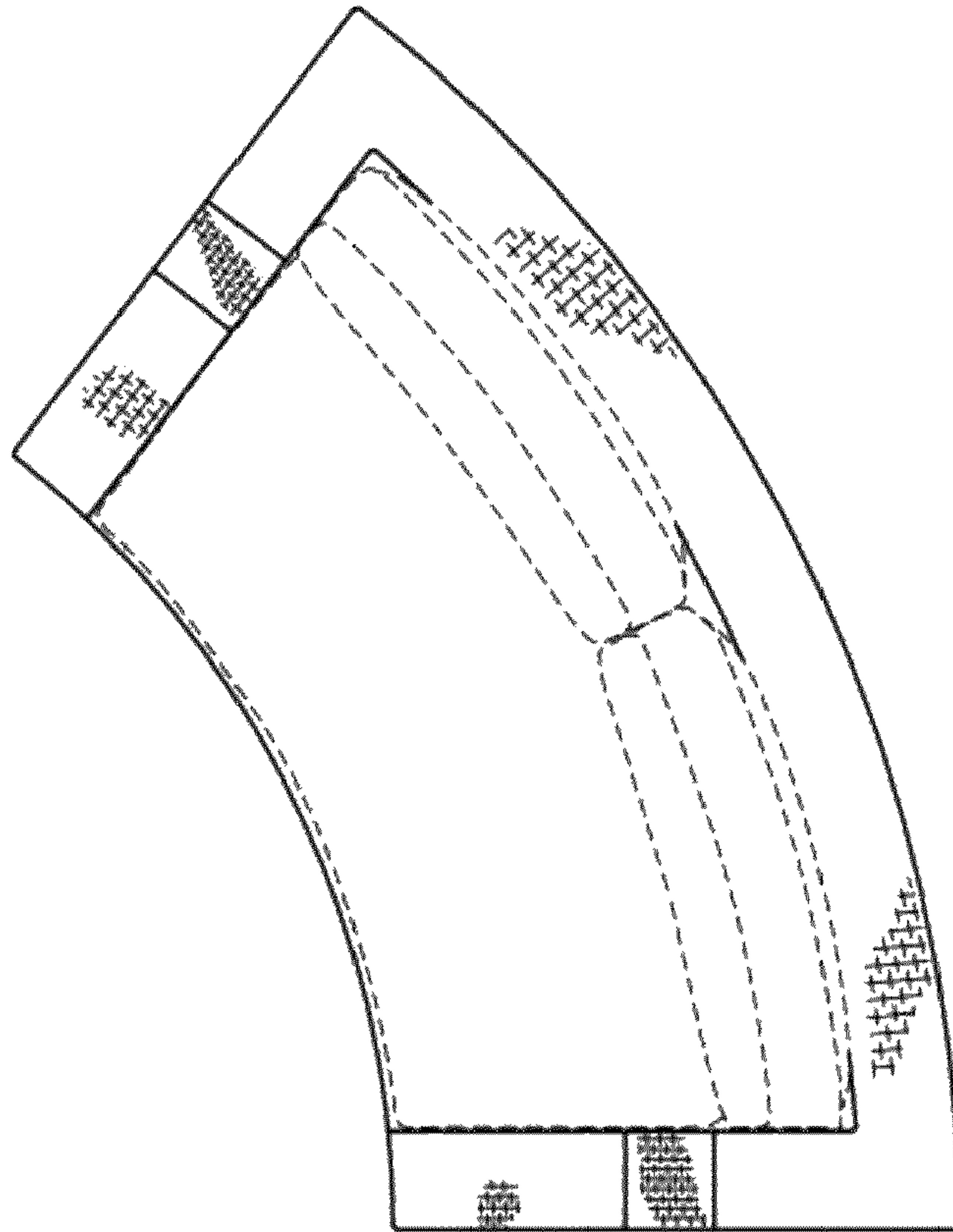


FIG. 4

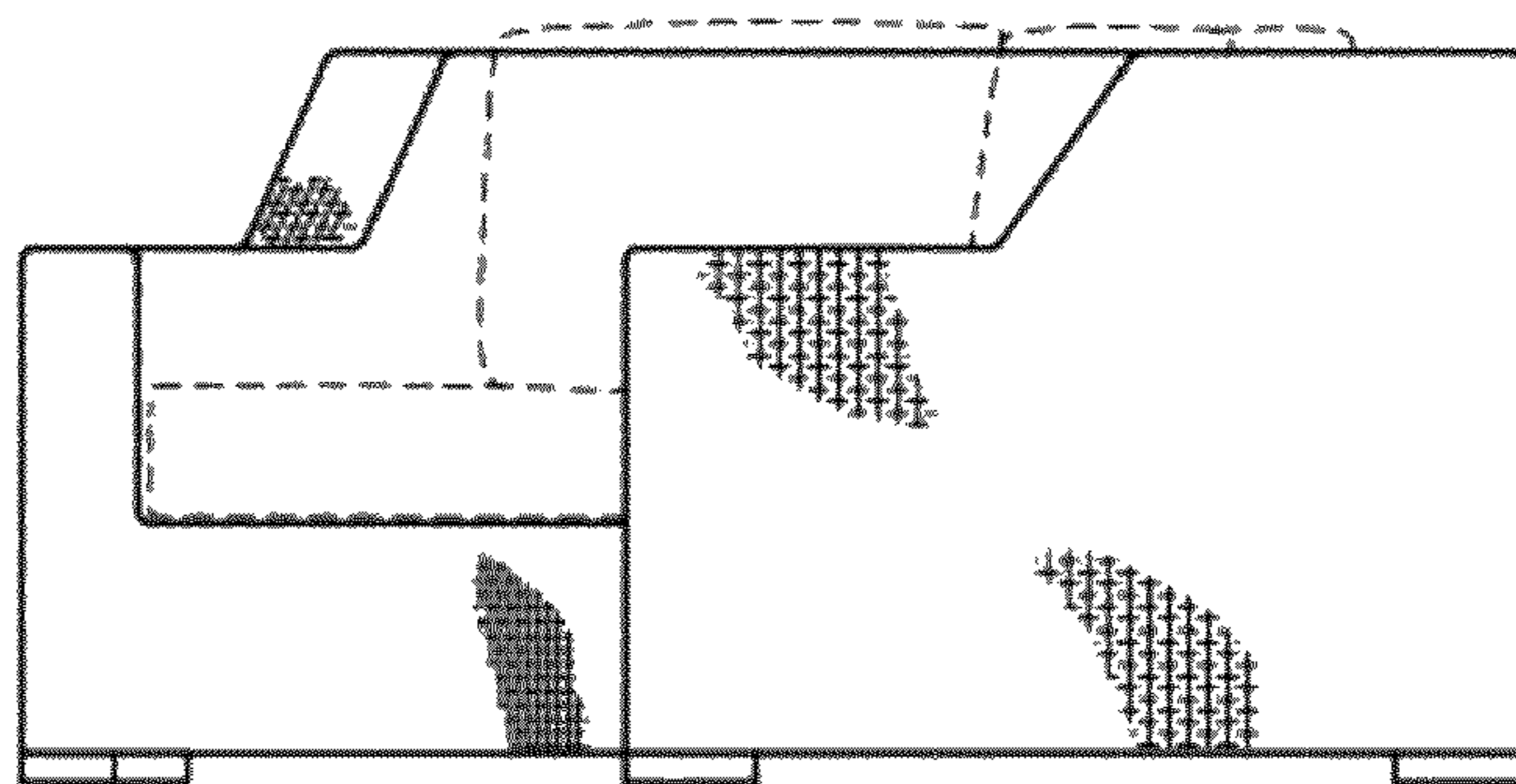


FIG. 5

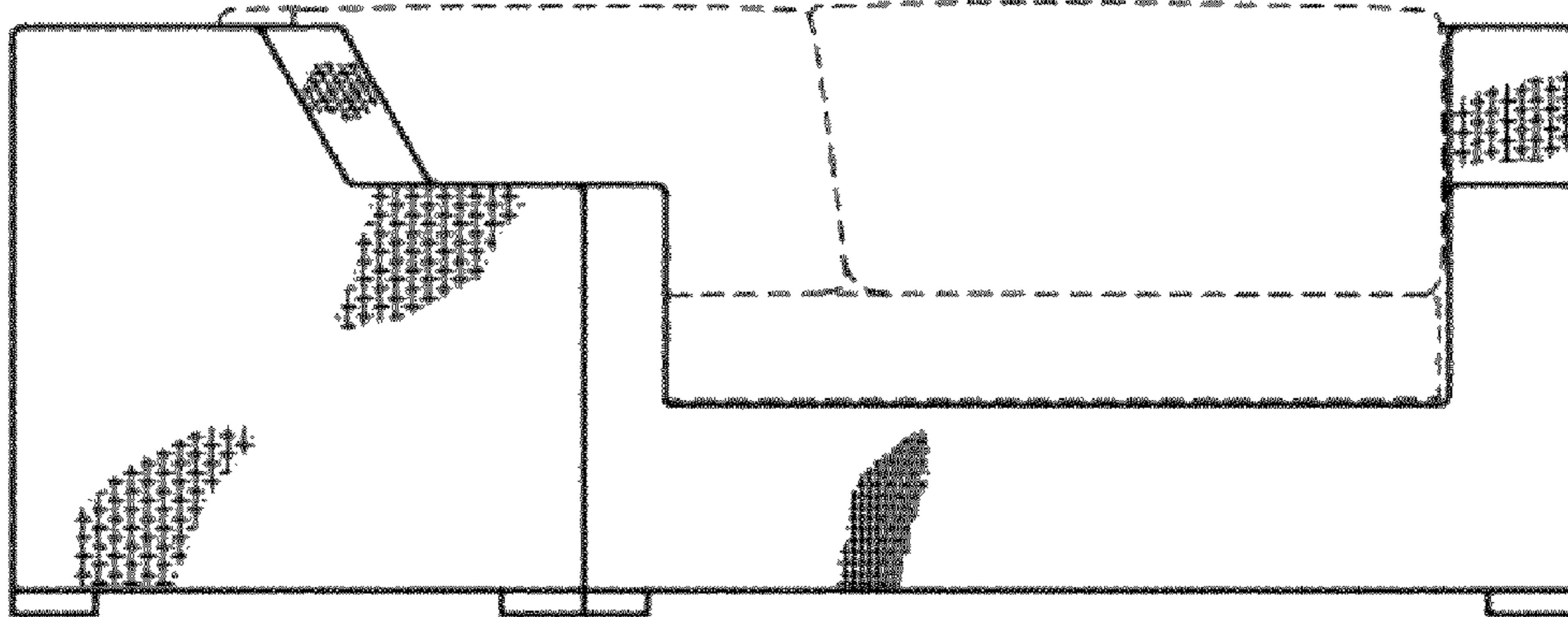


FIG. 6

