



US00D654283S

(12) **United States Design Patent**
Oliveros et al.

(10) **Patent No.:** **US D654,283 S**

(45) **Date of Patent:** **** Feb. 21, 2012**

(54) **CHAIR**

(75) Inventors: **Emmanuel Oliveros**, Brooklyn, NY (US); **Robyn Leedham Kaminski**, Croton on Hudson, NY (US); **Erin Leigh Hoover**, New York, NY (US)

(73) Assignee: **Starwood Hotels & Resorts Worldwide, Inc.**, White Plains, NY (US)

(**) Term: **14 Years**

(21) Appl. No.: **29/370,118**

(22) Filed: **Jun. 7, 2010**

(51) **LOC (9) Cl.** **06-01**

(52) **U.S. Cl.** **D6/375**

(58) **Field of Classification Search** D6/334-336, D6/370, 371, 372, 373, 374, 375, 376, 379, D6/380, 500-502; 297/411.42, 445.1, 446.1, 297/448.1, 451.3, 452.12, 452.19, 452.2, 297/452.29

See application file for complete search history.

(56) **References Cited**

U.S. PATENT DOCUMENTS

D79,320 S	9/1929	Anderson	
D101,976 S *	11/1936	Smith	D6/375
D124,987 S	2/1941	Wright	
D142,802 S *	11/1945	Weill	D6/375
D147,133 S *	7/1947	Mankki	D6/375
D174,496 S	4/1955	Freedman et al.	
D187,919 S *	5/1960	Barecki	D6/375
D286,106 S *	10/1986	Franck et al.	D6/372
D337,448 S	7/1993	Heidmann	
D346,281 S *	4/1994	Vidal	D6/370
D347,741 S *	6/1994	Vidal	D6/370

D354,405 S *	1/1995	Greene	D6/370
D358,723 S *	5/1995	Kelly et al.	D6/375
D358,945 S *	6/1995	Vidal	D6/370
D360,083 S	7/1995	Lohmeyer	

(Continued)

FOREIGN PATENT DOCUMENTS

CA 34691 11/1941

(Continued)

OTHER PUBLICATIONS

U.S. Appl. No. 29/314,873, filed May 5, 2009; First named inventor: Oliveros.

(Continued)

Primary Examiner — Mimoso De

(74) *Attorney, Agent, or Firm* — Fross Zelnick Lehrman & Zissu, P.C.; Charles T. J. Weigell, Esq.

(57) **CLAIM**

The ornamental design for a chair, as shown and described.

DESCRIPTION

FIG. 1 is a front perspective view of a chair showing my new design;

FIG. 2 is a front view of the chair shown in FIG. 1;

FIG. 3 is a rear view of the chair shown in FIG. 1;

FIG. 4 is a right side view of the chair shown in FIG. 1;

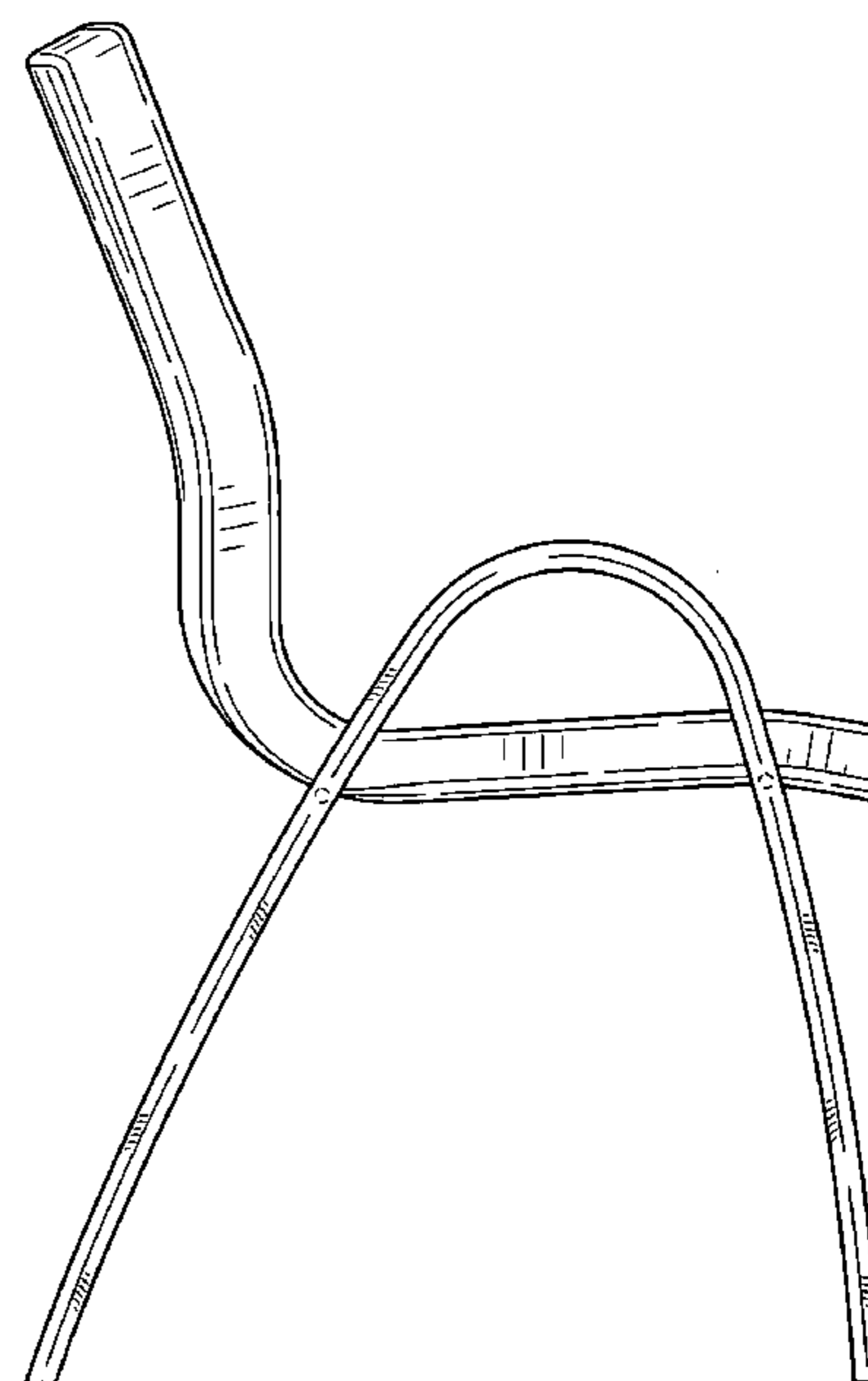
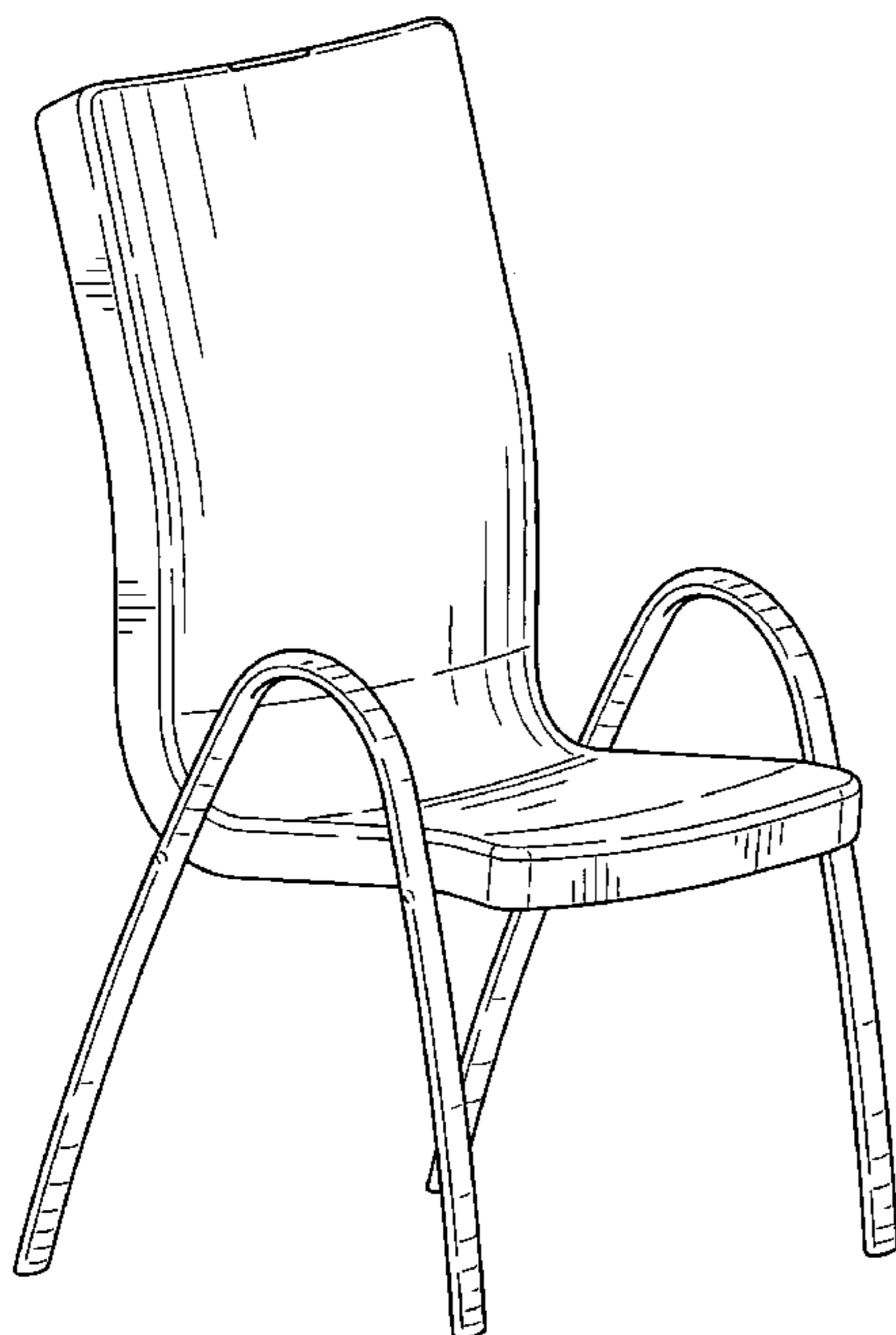
FIG. 5 is a left side view of the chair shown in FIG. 1;

FIG. 6 is a top view of the chair shown in FIG. 1; and,

FIG. 7 is a bottom view of the chair shown in FIG. 1.

The broken line showing of the support rails is for illustrative purposes only and forms no part of the claimed design.

1 Claim, 4 Drawing Sheets



US D654,283 S

Page 2

U.S. PATENT DOCUMENTS

D393,158 S 4/1998 Smith
D405,971 S * 2/1999 Grimsrud D6/375
D438,397 S * 3/2001 Puer D6/375
D450,945 S 11/2001 Lo
D592,872 S * 5/2009 Levin D6/370
D629,224 S * 12/2010 Oliveros D6/375

FOREIGN PATENT DOCUMENTS

CA 34648 11/1971
CA 81900 9/1997
CA 102233 9/2005
CA 105821 9/2005
CA 105822 9/2005
CA 109598 4/2006
CA 106804 8/2006
CN 200430040270.2 12/2004
CN 200530029141.8 4/2006
CN 200730114780.3 3/2008
EM 75890-8 9/2003
WO DM/003870 6/1984
WO DM/006926 5/1986
WO DM/007530 9/1986
WO DM/009703 11/1987
WO DM/016889 6/1990
WO DM/017130 7/1990
WO DM/049094 9/1990
WO DM/018097 11/1990
WO DM/021310 12/1991

WO DM/021660 1/1992
WO DM/046303 12/1998
WO DM/047454 4/1999
WO DM/051575 6/1999
WO DM/050384 1/2000
WO DM/052084 4/2000
WO DM/053189 9/2000
WO DM/053566 9/2000
WO DM/054811 10/2000
WO DM/055822 12/2000
WO DM/056483 12/2000
WO DM/053953 1/2001
WO DM/056424 4/2001
WO DM/057212 9/2001
WO DM/058878 2/2002
WO DM/061361 9/2002
WO DM/062637 9/2002
WO DM/061569 10/2002
WO DM/064621 7/2003
WO DM/067902 2/2005
WO DM/066621 4/2005
WO DM/067440 1/2006
WO DM/071261 9/2008
WO DM/076467 8/2011

OTHER PUBLICATIONS

U.S. Appl. No. 29/336,726, filed May 7, 2009; First named inventor:
Oliveros.

* cited by examiner

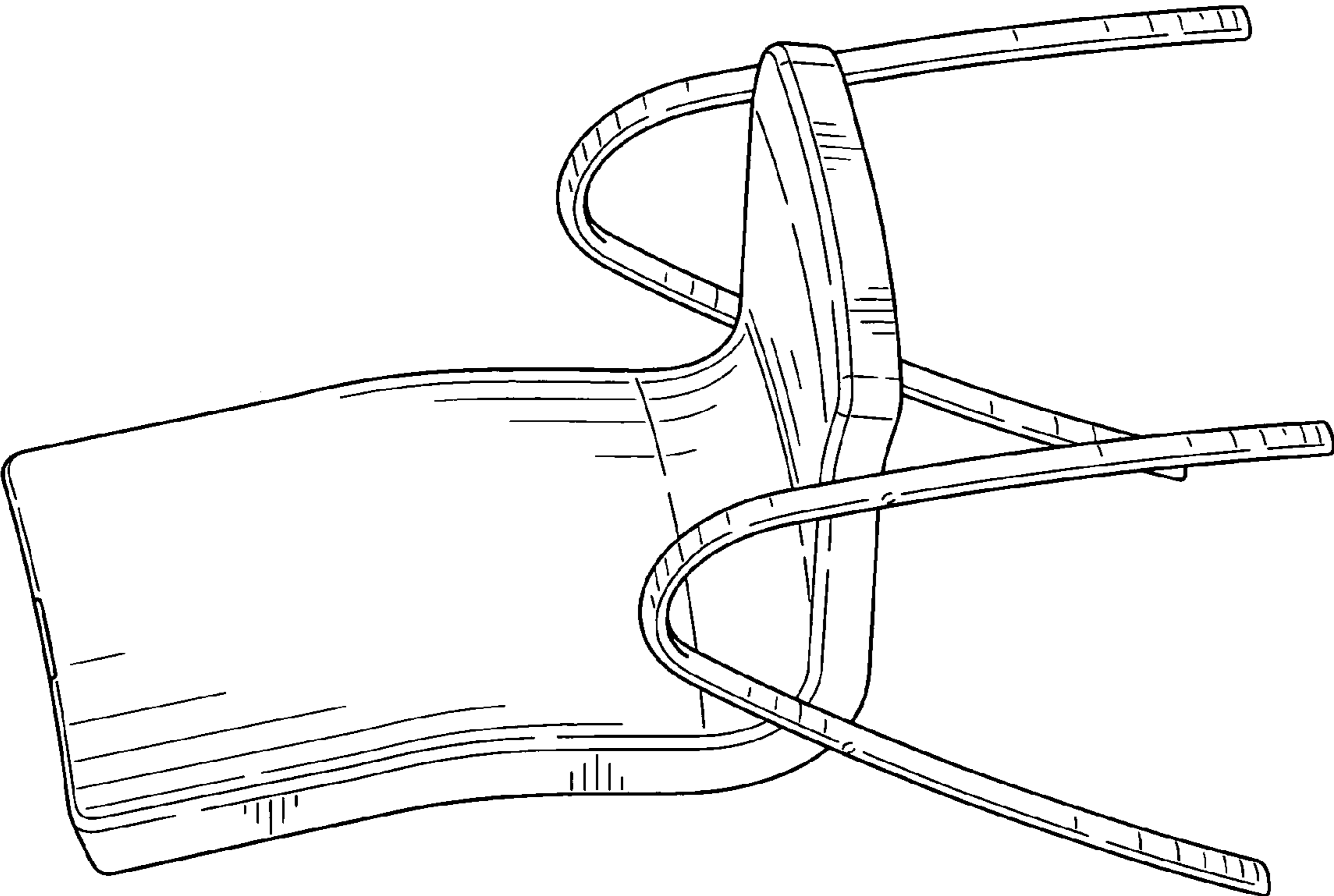


FIG. 1

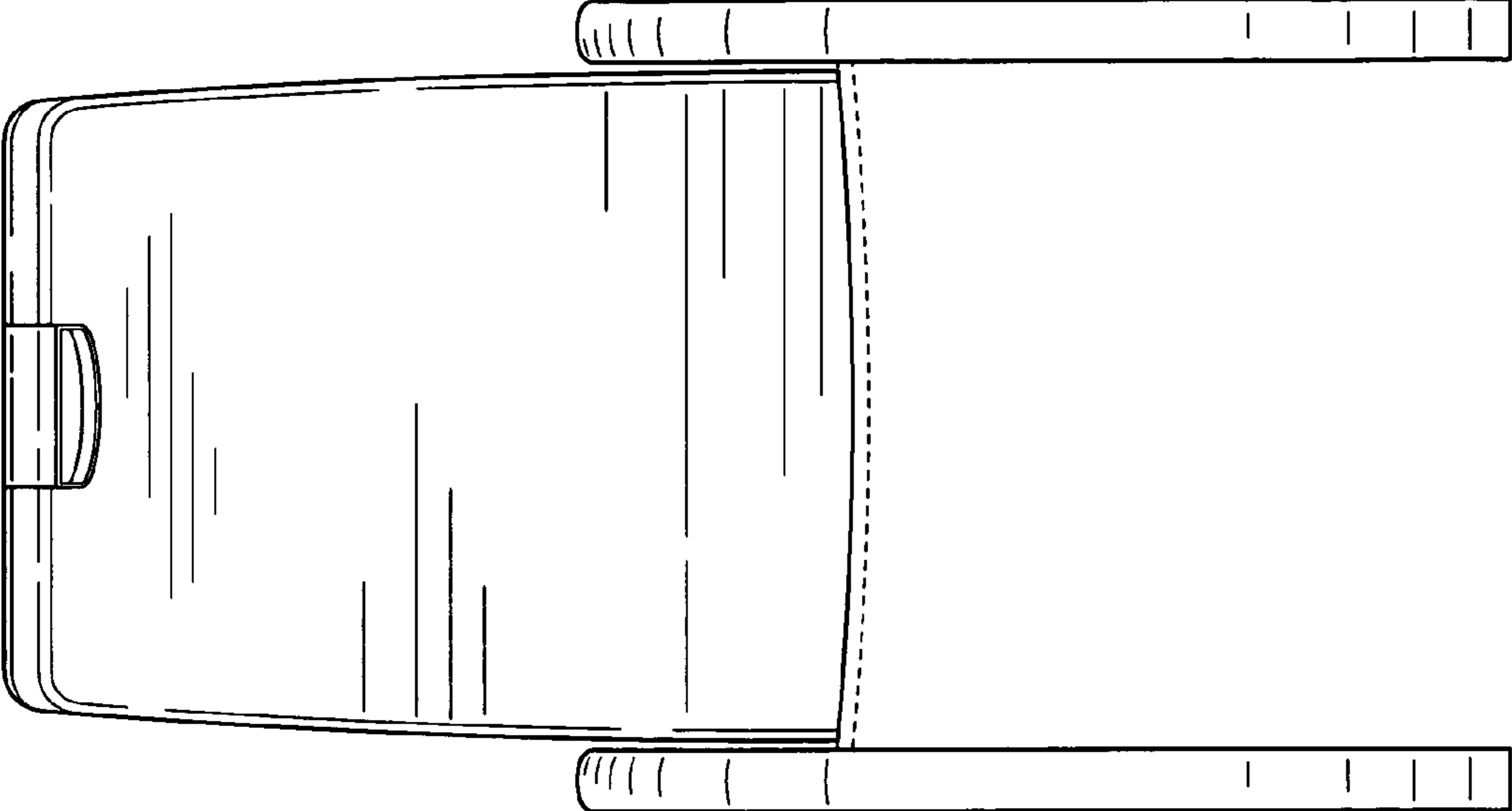


FIG. 3

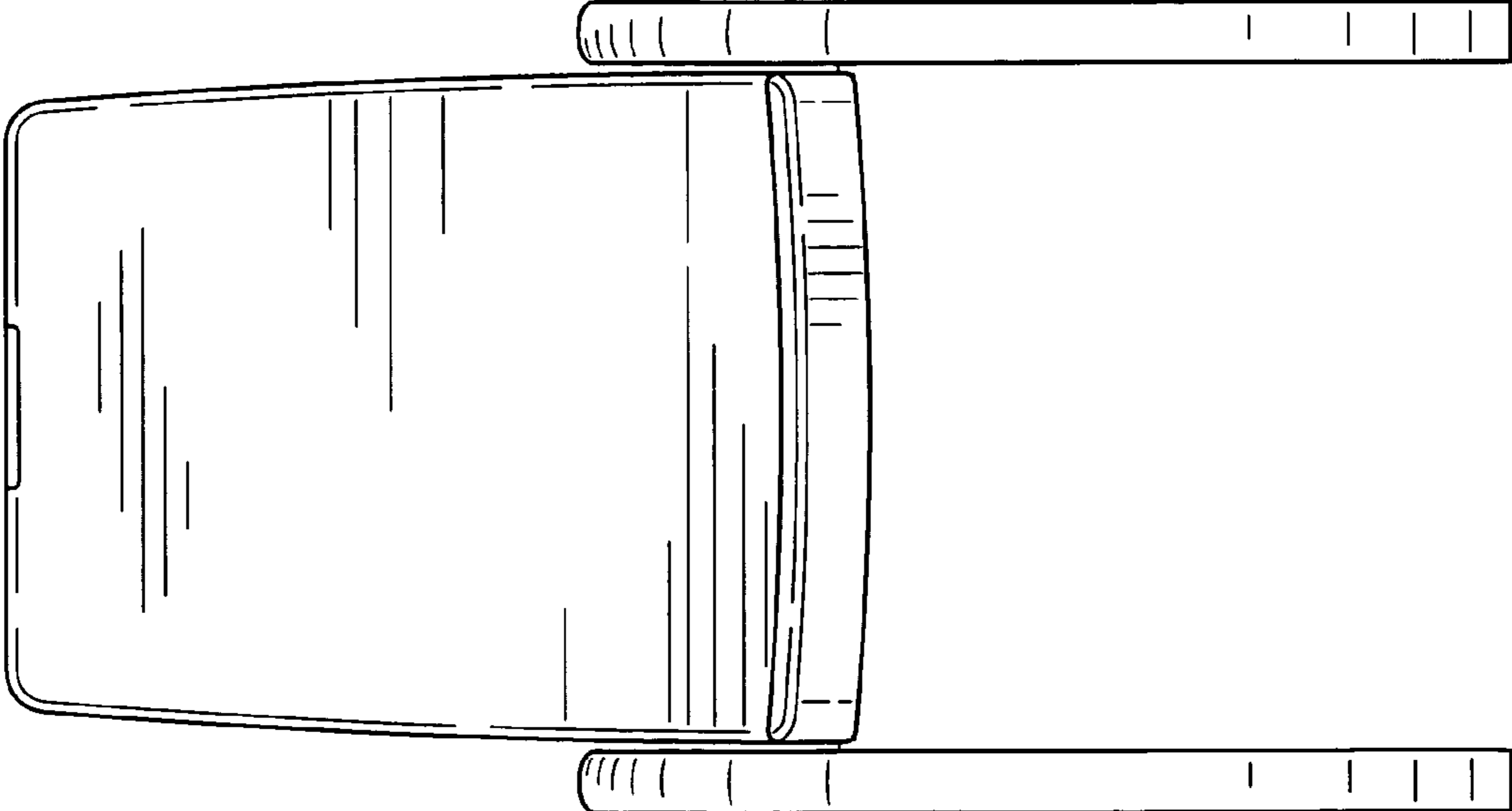


FIG. 2

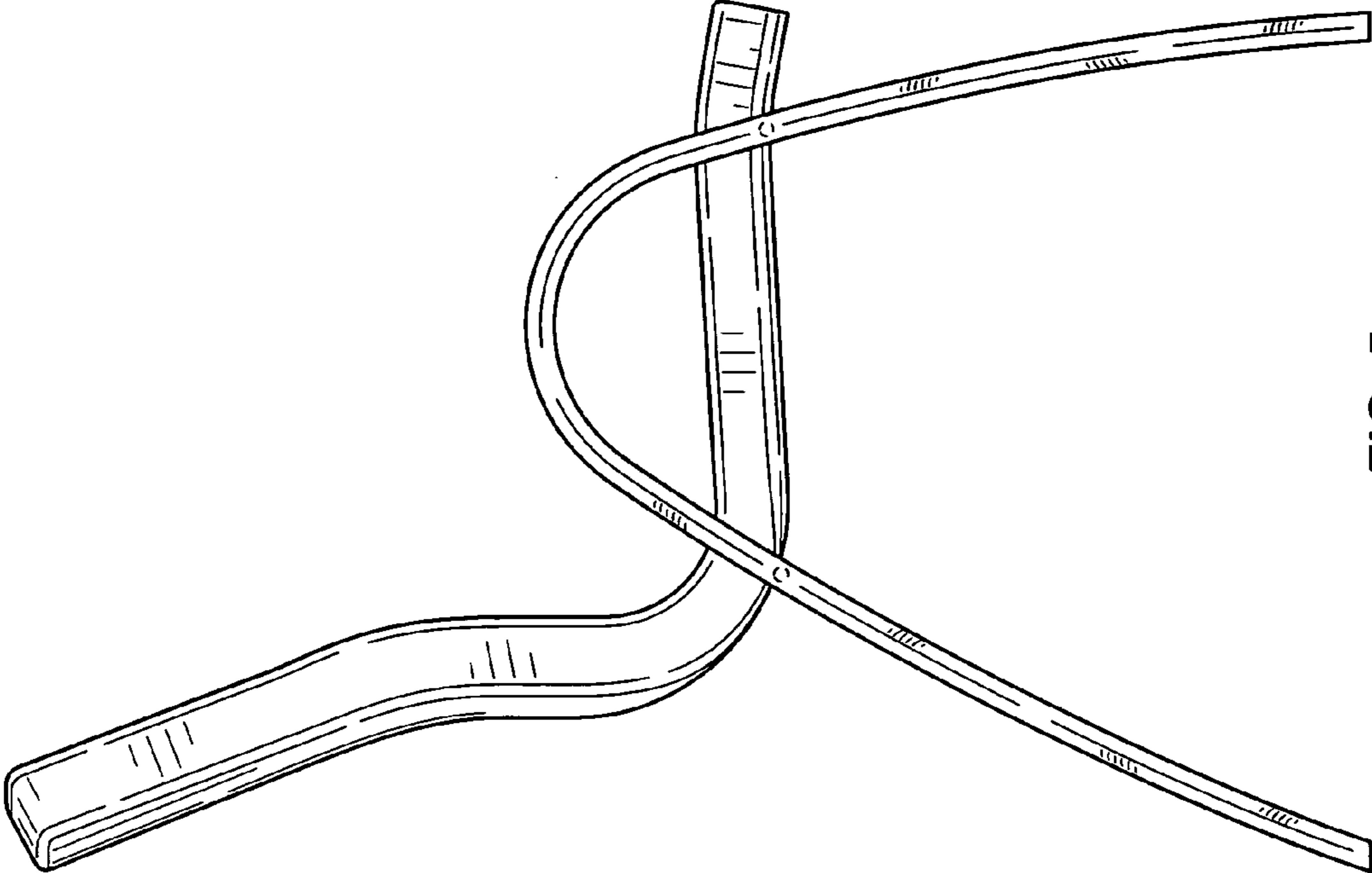


FIG. 5

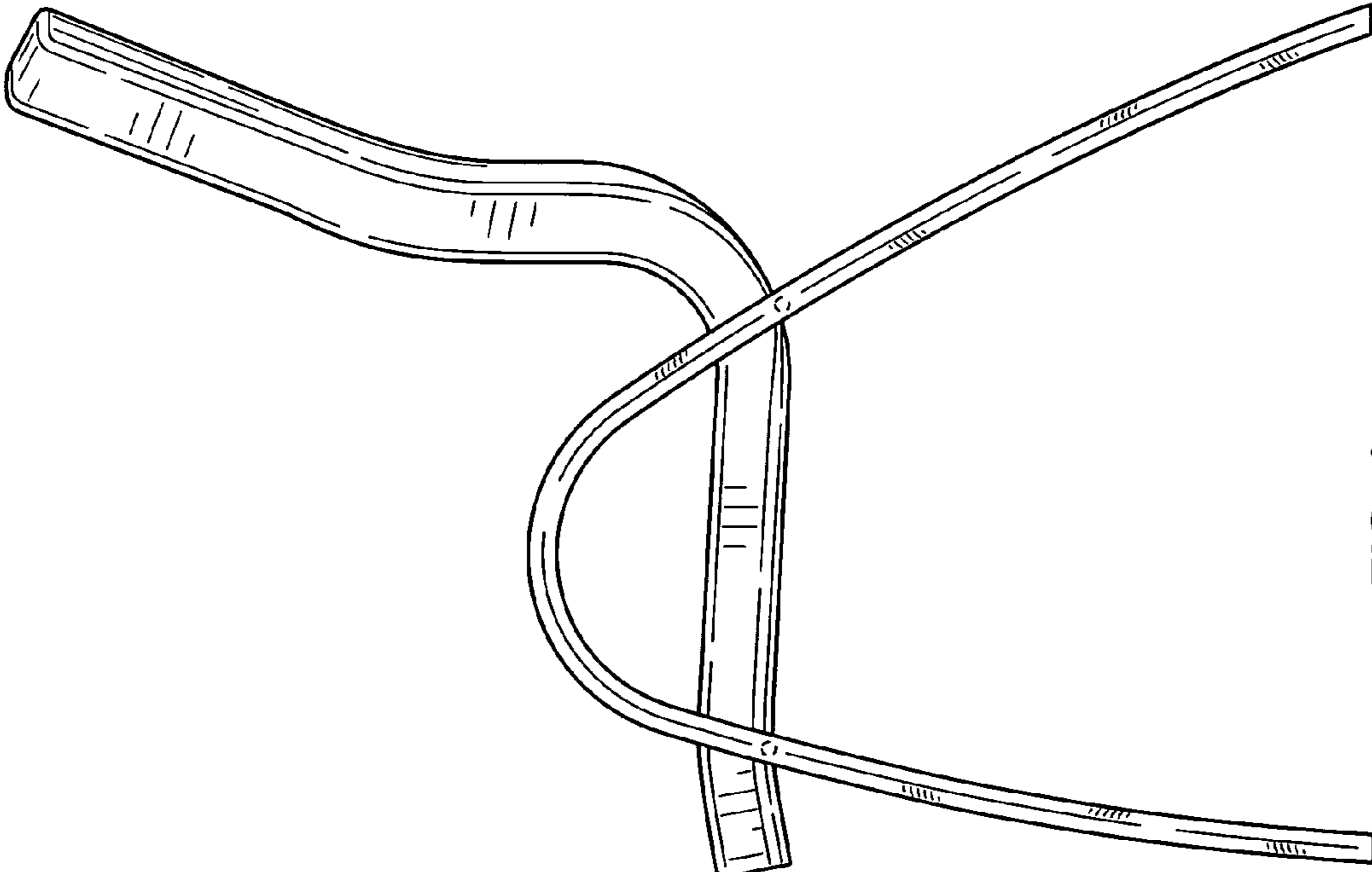


FIG. 4

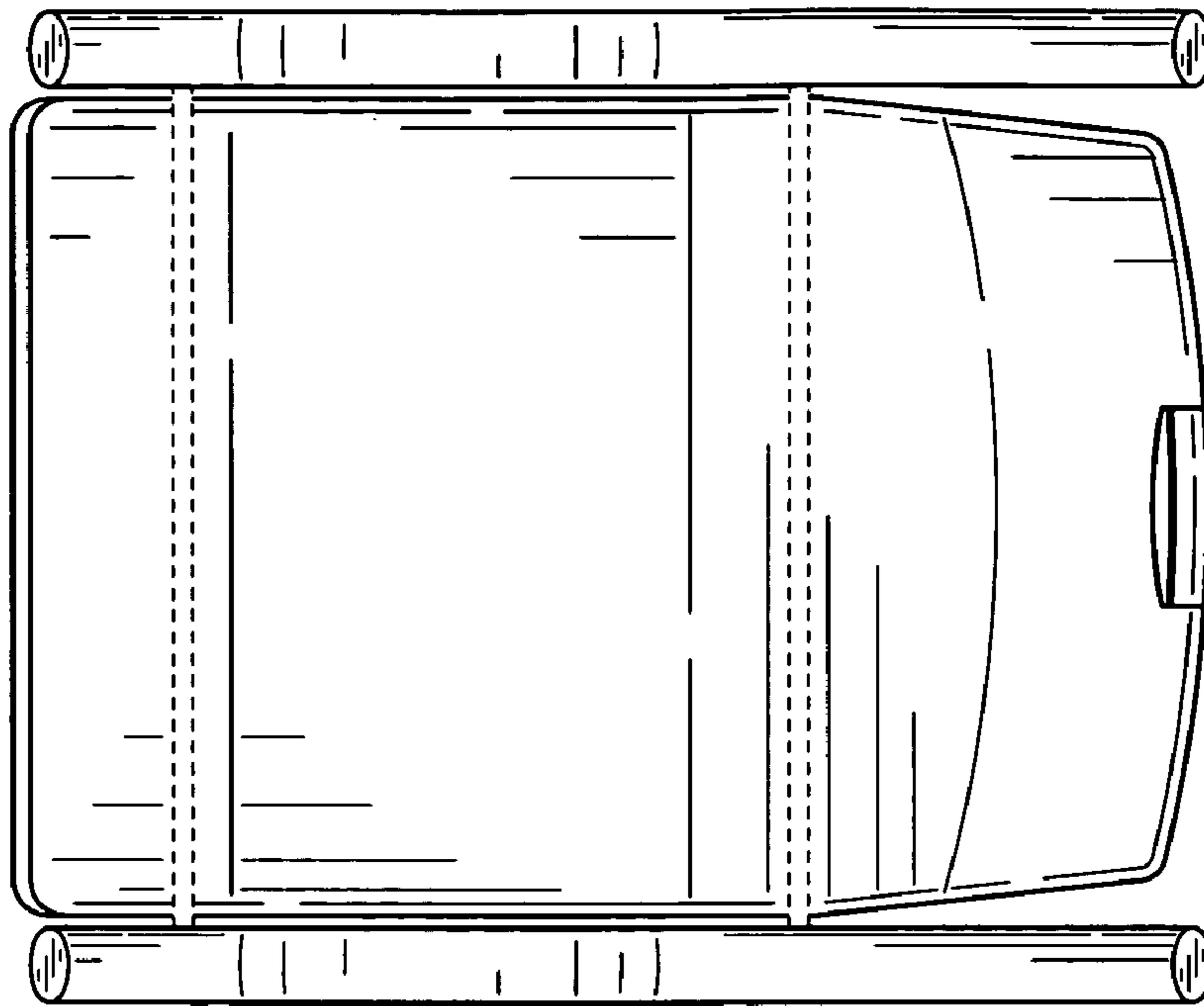


FIG. 7

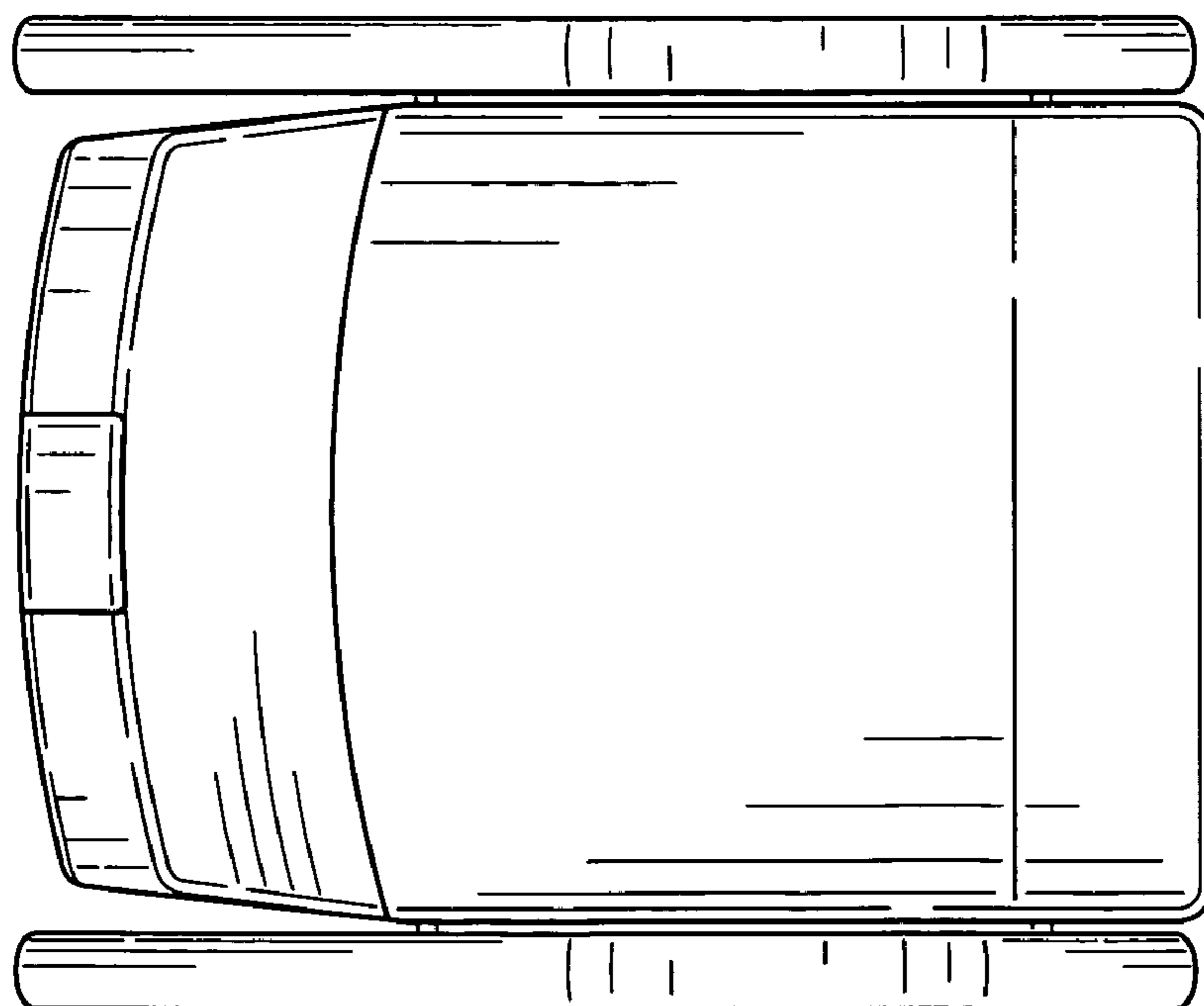


FIG. 6