



US00D654282S

(12) **United States Design Patent**
Lucci

(10) **Patent No.:** **US D654,282 S**

(45) **Date of Patent:** **** Feb. 21, 2012**

(54) **CHAIR**

(75) Inventor: **Roberto Lucci**, Como (IT)

(73) Assignee: **Ditto Sales, Inc.**, Jasper, IN (US)

(**) Term: **14 Years**

(21) Appl. No.: **29/397,159**

(22) Filed: **Jul. 12, 2011**

(51) **LOC (9) Cl.** **06-01**

(52) **U.S. Cl.** **D6/374**

(58) **Field of Classification Search** D6/334-336,
D6/369, 370, 371-373, 374, 375, 376, 379,
D6/380, 500-502; 297/239, 445.1, 446.1,
297/452.13, 452.2, 452.29

See application file for complete search history.

(56) **References Cited**

U.S. PATENT DOCUMENTS

D150,683 S *	8/1948	Eames	D6/374
D172,218 S *	5/1954	Burst	D6/374
D182,183 S *	2/1958	Herschell	D6/374
D188,843 S *	9/1960	Kagan	D6/375
D219,032 S *	10/1970	Christenson, Jr.	D6/374

D511,421 S *	11/2005	Schultz	D6/374
D541,068 S *	4/2007	Foster	D6/374
D563,111 S *	3/2008	Lievore	D6/375
D574,161 S *	8/2008	Sneujink et al.	D6/379
D580,673 S *	11/2008	Wright et al.	D6/374

* cited by examiner

Primary Examiner — Mimoso De

(74) *Attorney, Agent, or Firm* — Maginot, Moore & Beck, LLP

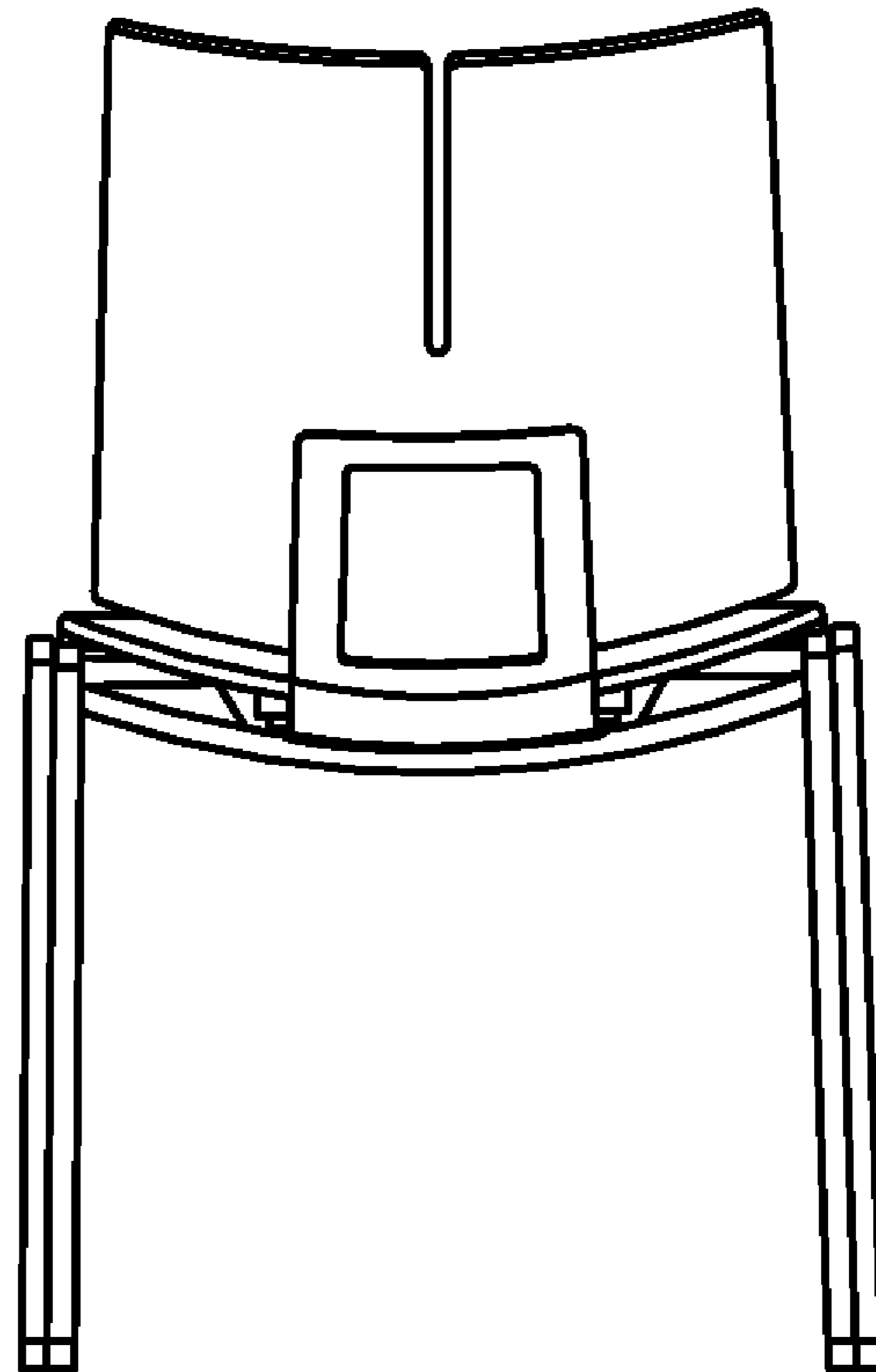
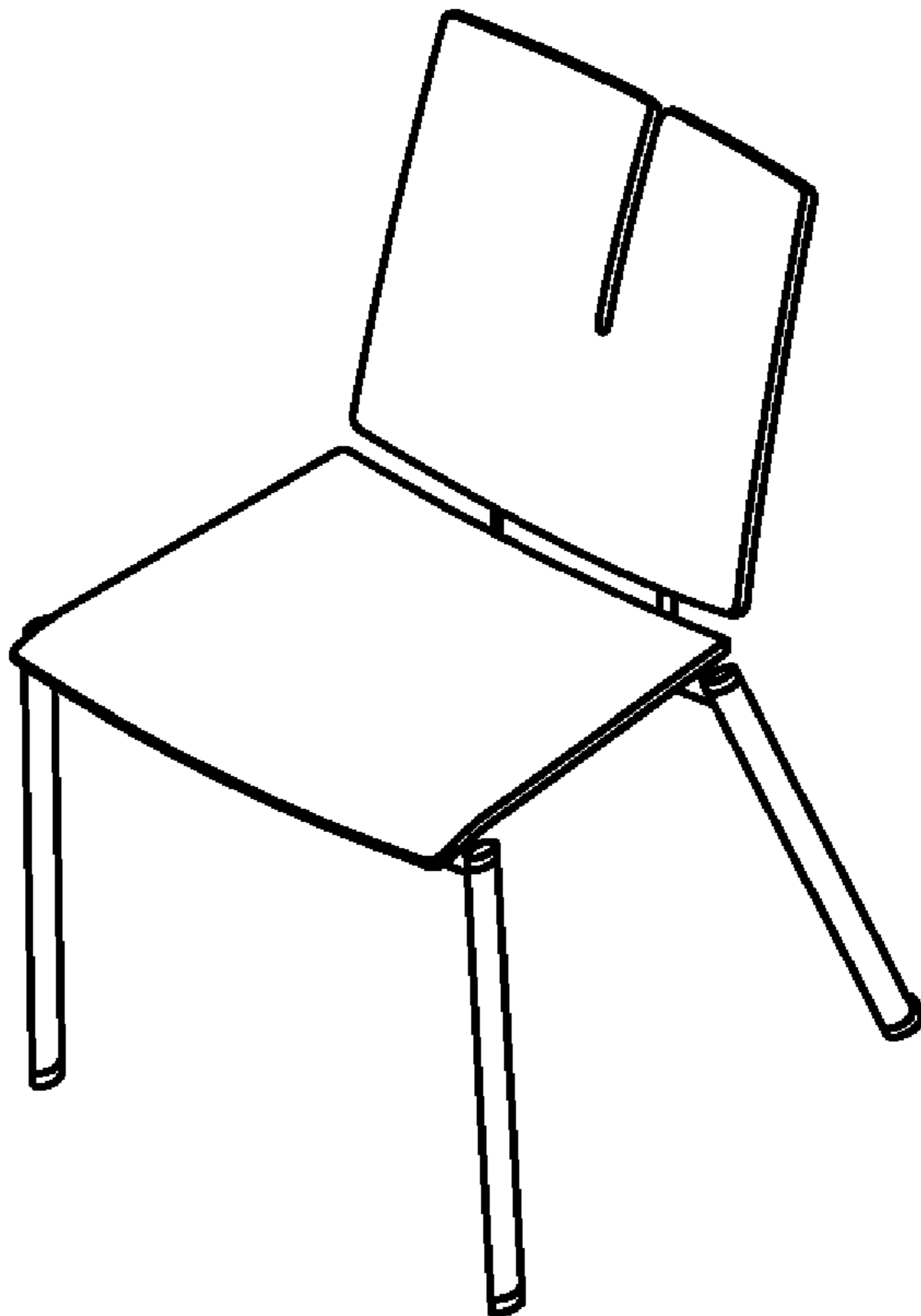
(57) **CLAIM**

The ornamental design for a chair, as shown and described.

DESCRIPTION

FIG. 1 is a front perspective view of a design for a chair;
FIG. 2 is a rear elevational view of the design shown in FIG. 1;
FIG. 3 is a front elevational view of the design shown in FIG. 1;
FIG. 4 is a side elevational view of the design shown in FIG. 1 in which the opposite side is a mirror image;
FIG. 5 is a top plan view of the design shown in FIG. 1; and,
FIG. 6 is a bottom plan view of the design shown in FIG. 1.

1 Claim, 2 Drawing Sheets



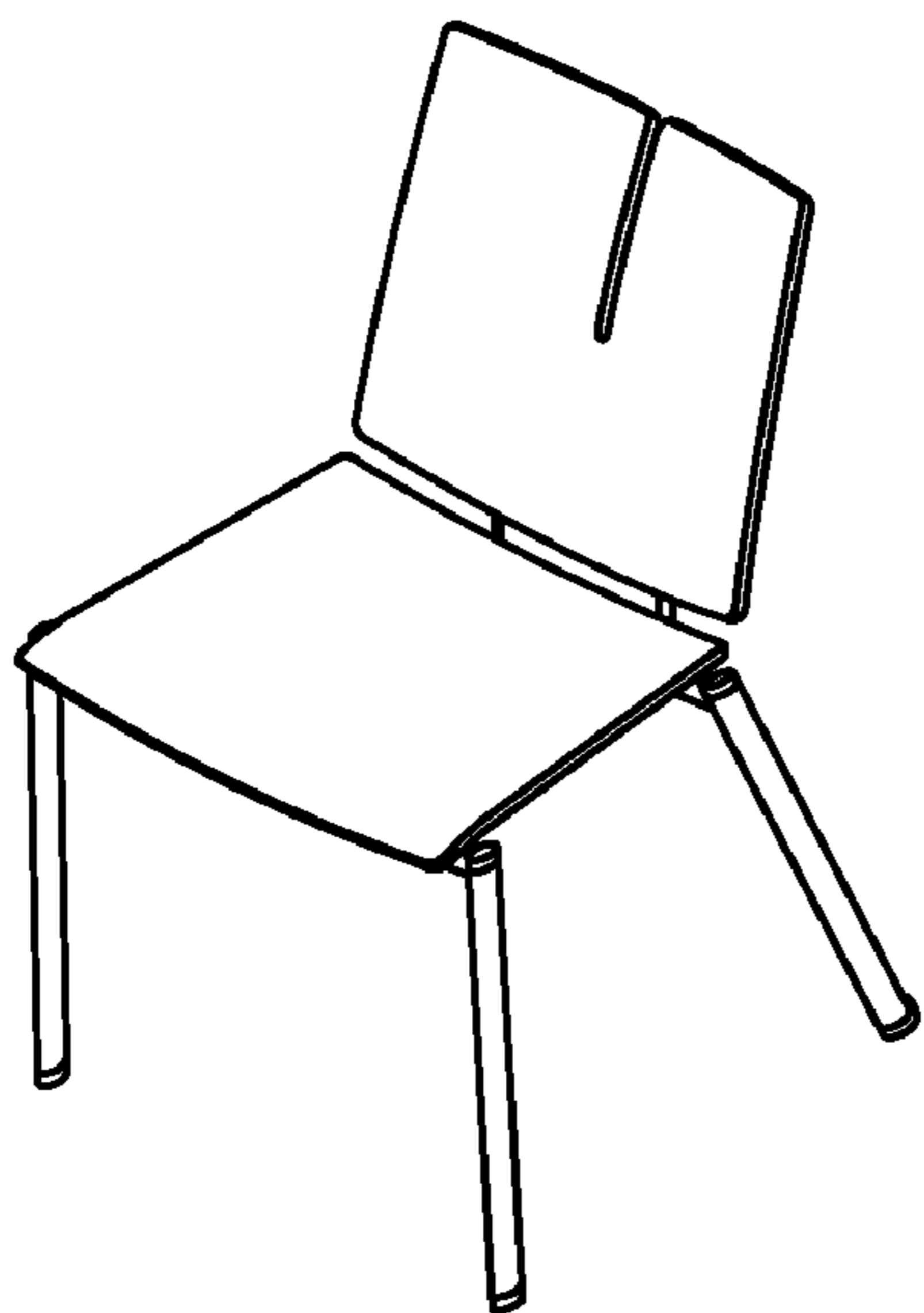


FIG. 1

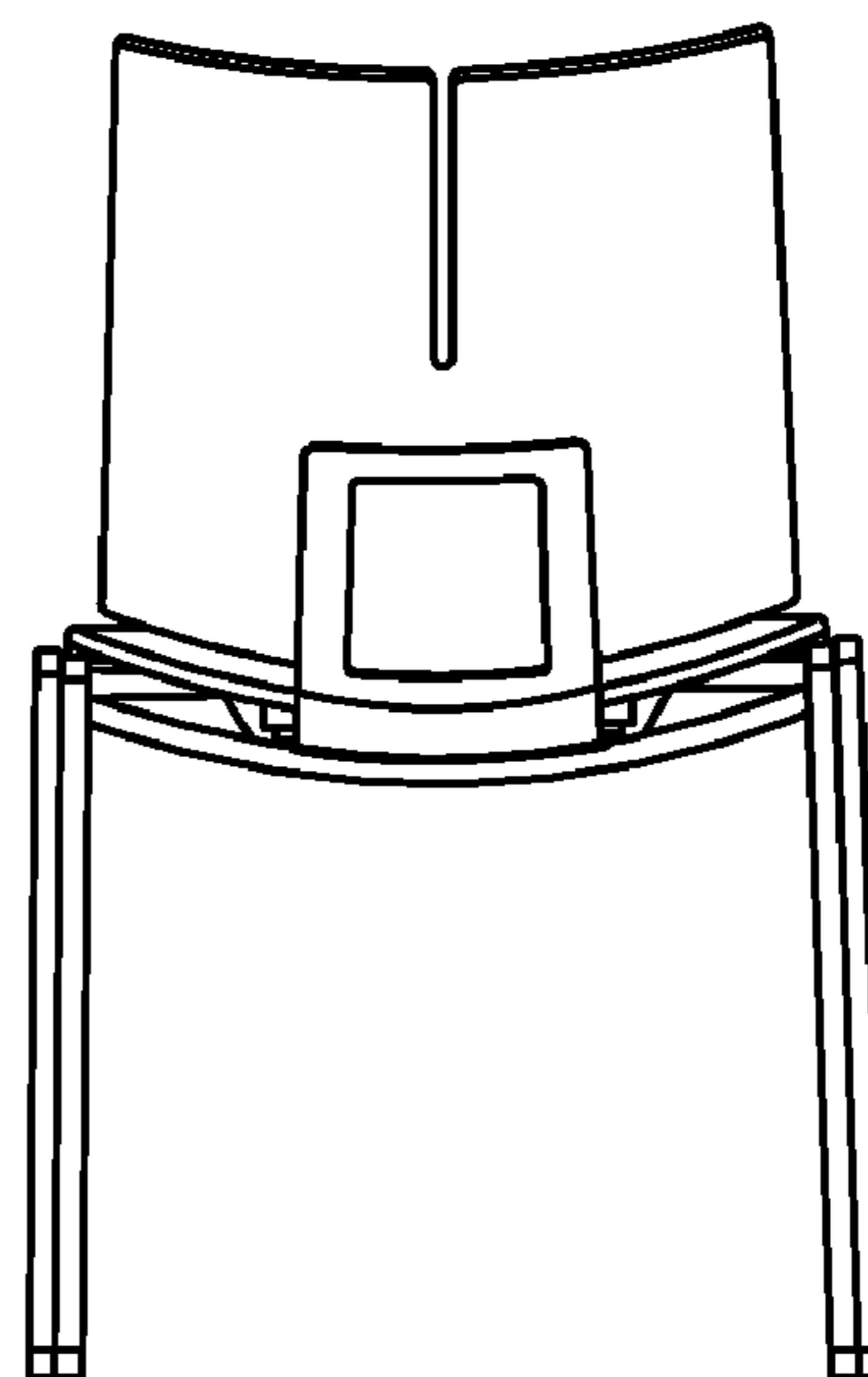


FIG. 2

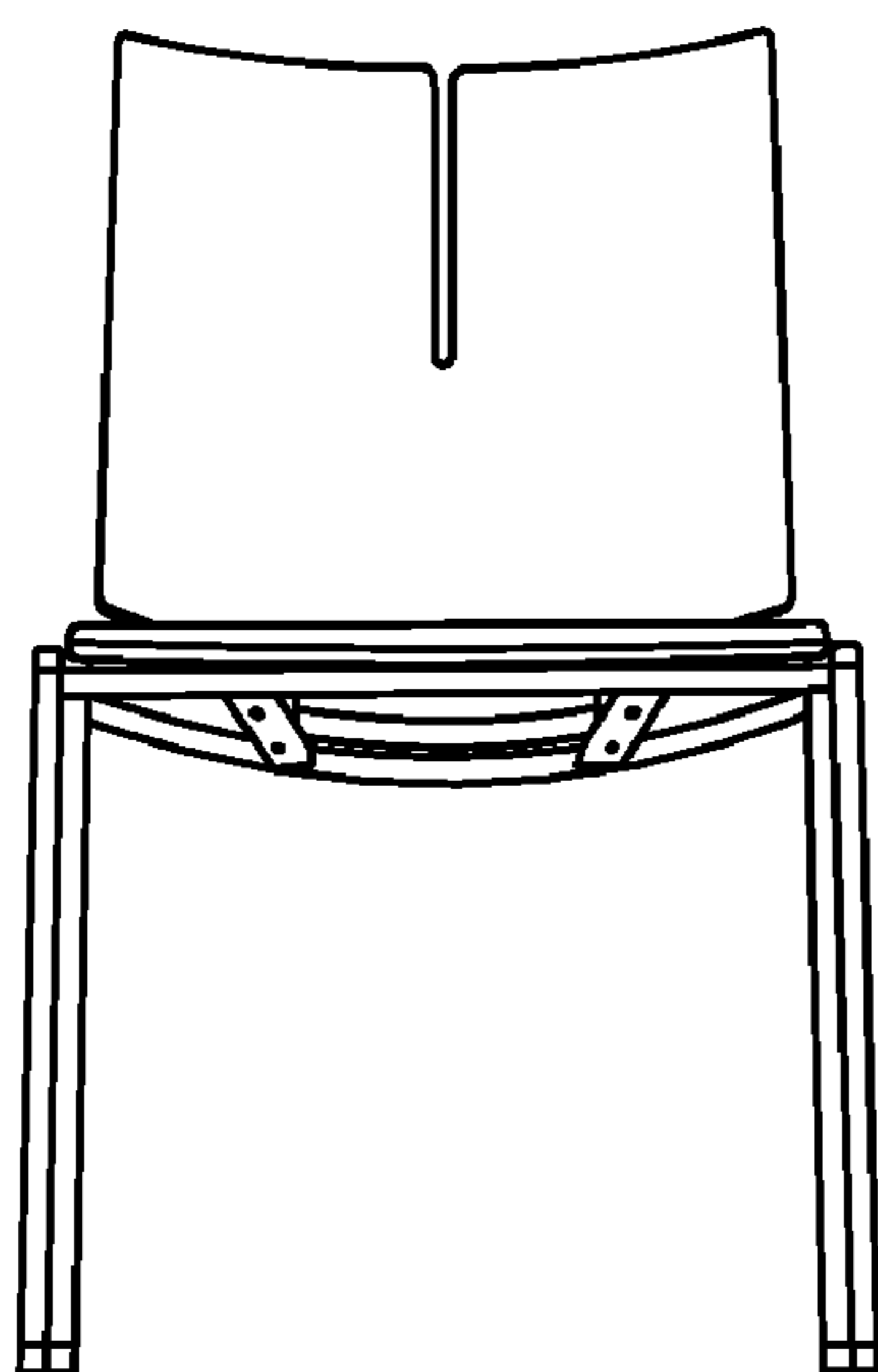


FIG. 3

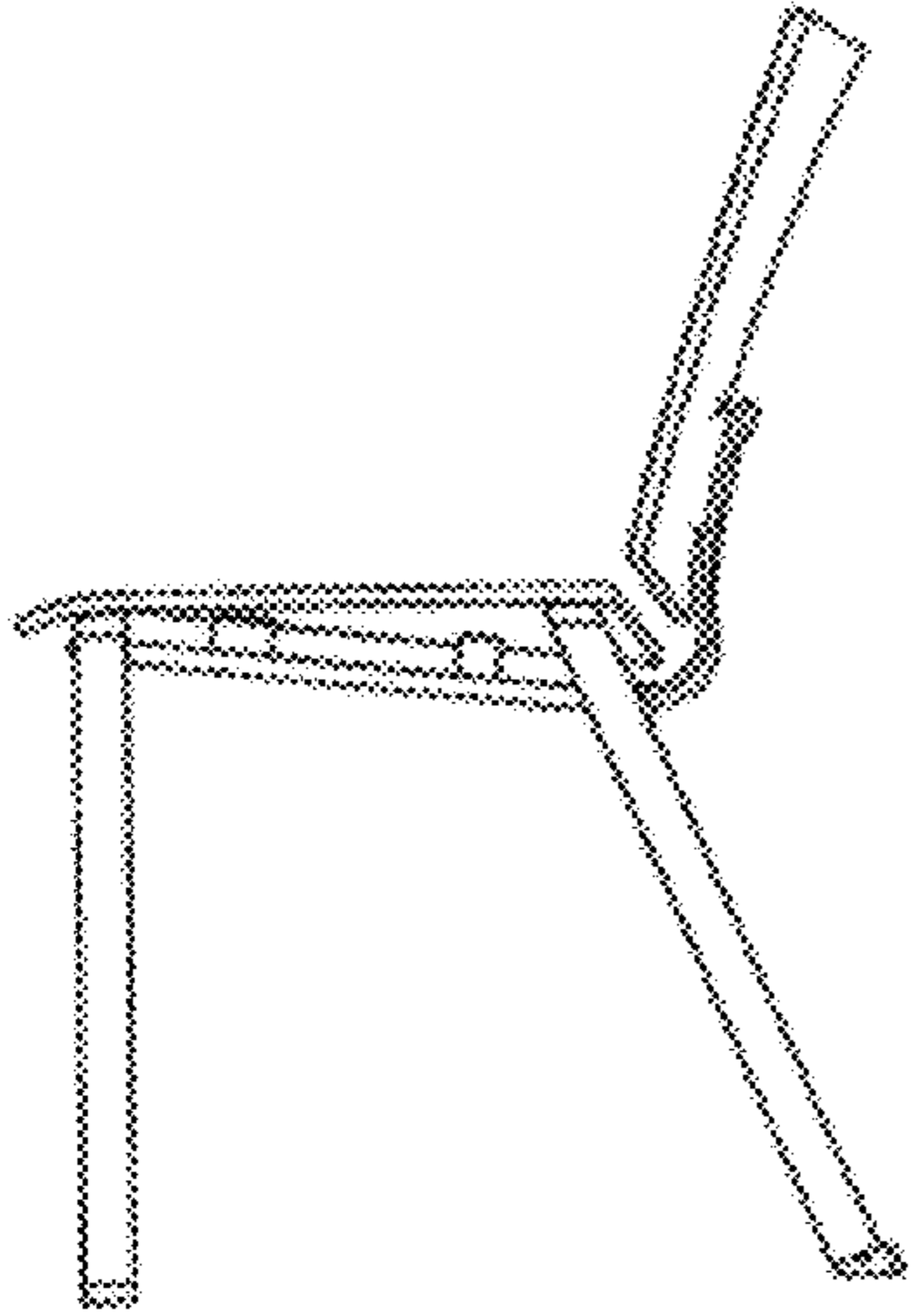


FIG. 4

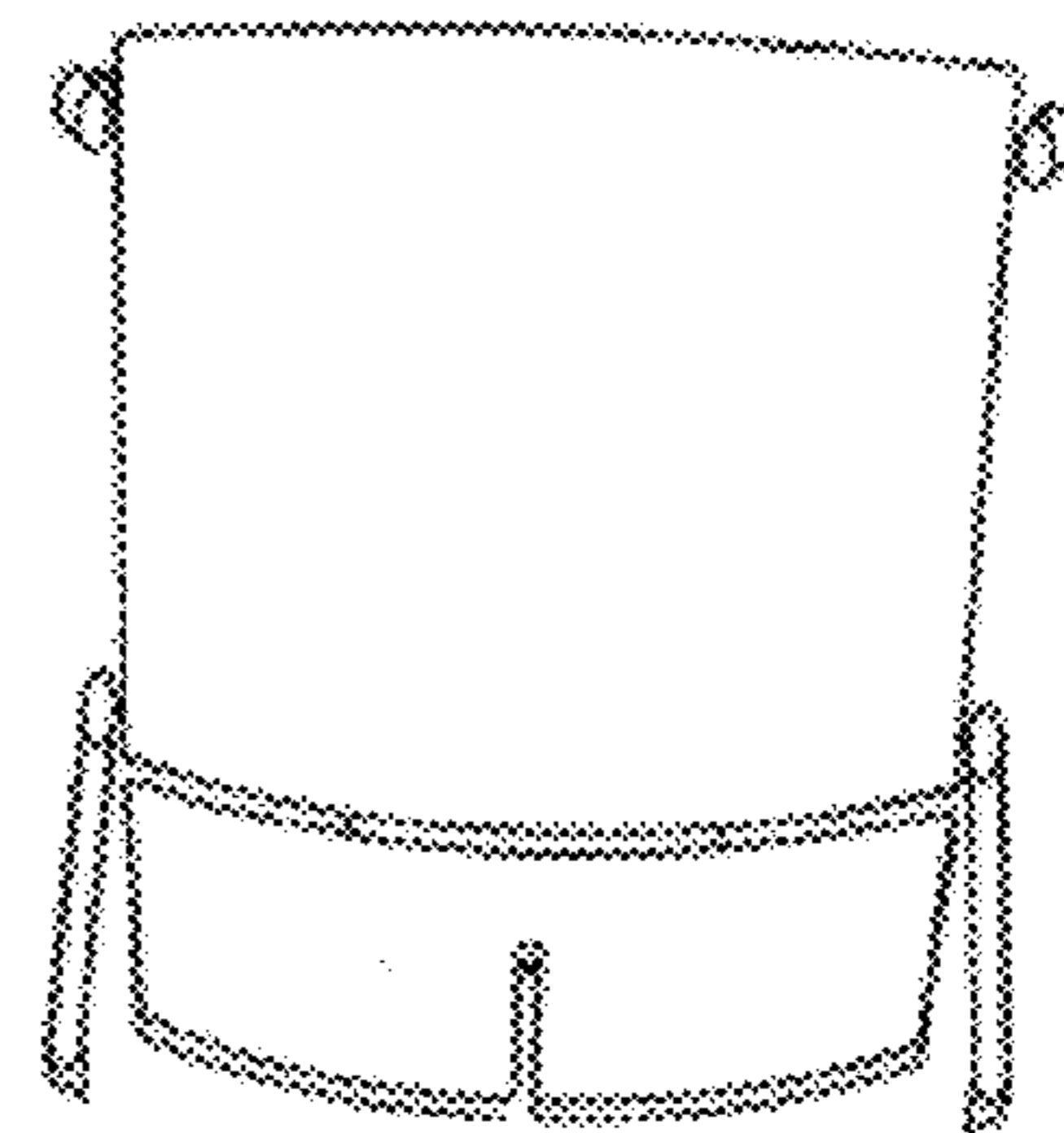


FIG. 5

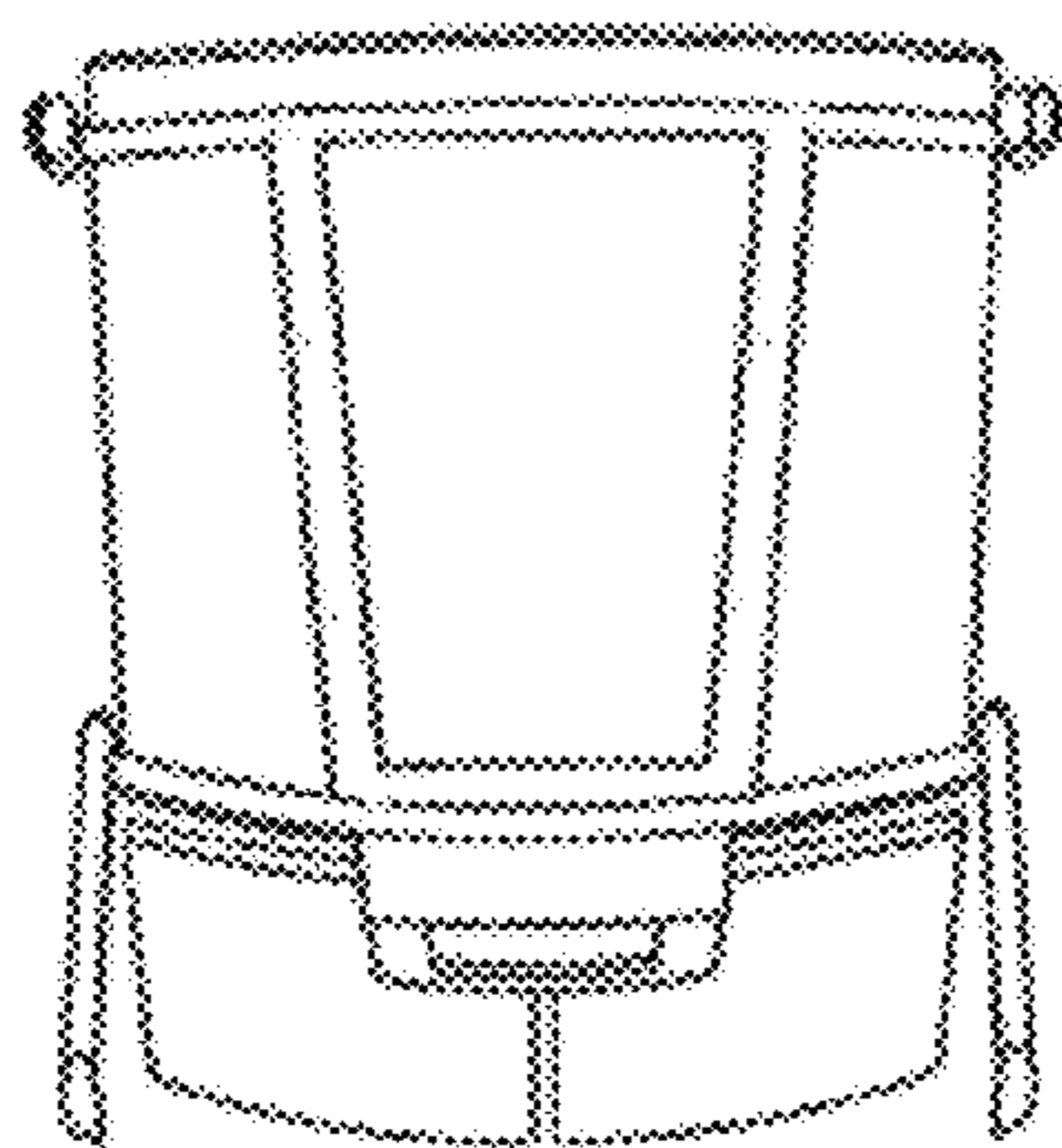


FIG. 6