



US00D654280S

(12) **United States Design Patent**
Fujita

(10) **Patent No.:** **US D654,280 S**

(45) **Date of Patent:** **** Feb. 21, 2012**

(54) **CHAIR**

(75) Inventor: **Hisato Fujita**, Kanagawa (JP)

(73) Assignee: **Okamura Corporation**, Kanagawa (JP)

(**) Term: **14 Years**

(21) Appl. No.: **29/334,946**

(22) Filed: **Apr. 6, 2009**

(30) **Foreign Application Priority Data**

Oct. 9, 2008 (JP) 2008-25943

(51) **LOC (9) Cl.** **06-01**

(52) **U.S. Cl.** **D6/366**

(58) **Field of Classification Search** D6/334–336,
D6/346–367, 369, 379–380, 498, 500–502;
297/411.2, 411.27, 411.36, 452.13, 452.21,
297/452.29, 452.35, 452.3, 452.64

See application file for complete search history.

(56) **References Cited**

U.S. PATENT DOCUMENTS

D476,820 S *	7/2003	Nagamitsu	D6/366
D509,969 S *	9/2005	Loew et al.	D6/366
D527,920 S *	9/2006	Giugiaro	D6/366
D536,890 S *	2/2007	Loew et al.	D6/366
D546,594 S *	7/2007	Kane et al.	D6/500
D549,975 S *	9/2007	Fancelli	D6/366
D550,975 S *	9/2007	Meda	D6/366
D553,376 S *	10/2007	Nakamura et al.	D6/366
D557,917 S *	12/2007	Nakamura et al.	D6/366
D558,994 S *	1/2008	Machael et al.	D6/366

D562,574 S *	2/2008	Dallmann et al.	D6/334
D567,522 S *	4/2008	Igarashi	D6/366
D568,057 S *	5/2008	Igarashi	D6/366
D568,625 S *	5/2008	Klaasen et al.	D6/366
D599,125 S *	9/2009	Piretti	D6/366
D613,088 S *	4/2010	Fujita	D6/366
D637,423 S *	5/2011	Behar et al.	D6/500
D641,576 S *	7/2011	Giugiaro	D6/502
D644,862 S *	9/2011	Gaschy	D6/500
D646,093 S *	10/2011	Collinson	D6/502
D646,511 S *	10/2011	Ballendat	D6/500
D646,513 S *	10/2011	Mezzera	D6/502
D646,515 S *	10/2011	Vong	D6/502

* cited by examiner

Primary Examiner — Elizabeth Albert

Assistant Examiner — Kelley Donnelly

(74) *Attorney, Agent, or Firm* — Sughrue Mion, PLLC

(57) **CLAIM**

The ornamental design for a chair, as shown and described.

DESCRIPTION

FIG. 1 is a perspective view from the front side of a chair.

FIG. 2 is a perspective view from the rear side thereof.

FIG. 3 is a front elevation view thereof.

FIG. 4 is a rear elevation view thereof.

FIG. 5 is a right side elevation view thereof.

FIG. 6 is a left side elevation view thereof.

FIG. 7 is a top plan view thereof; and,

FIG. 8 is a bottom plan view thereof.

The broken lines depict environmental subject matter only and form no part of the claimed design.

1 Claim, 8 Drawing Sheets

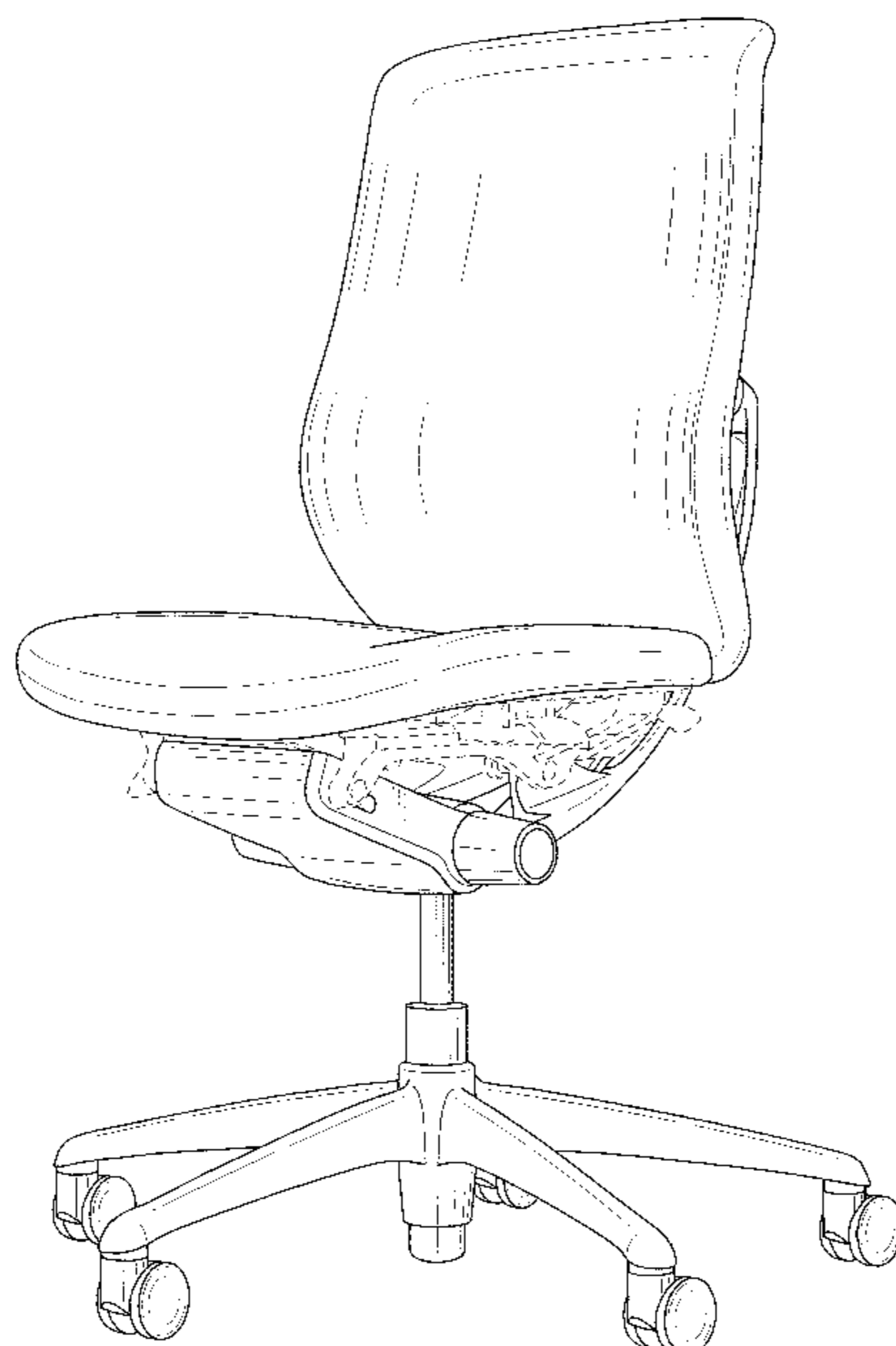


FIG. 1

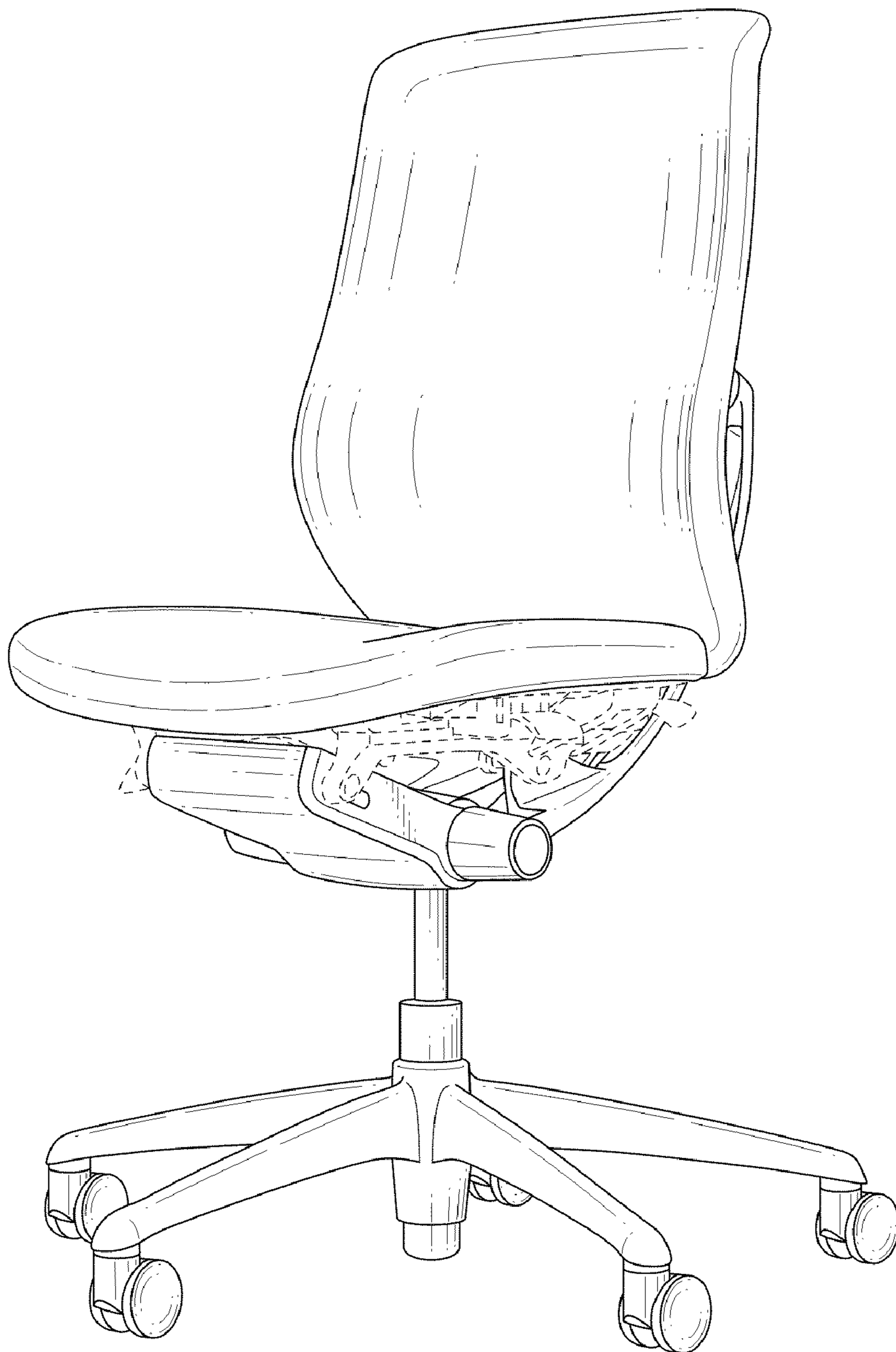


FIG. 2



FIG. 3

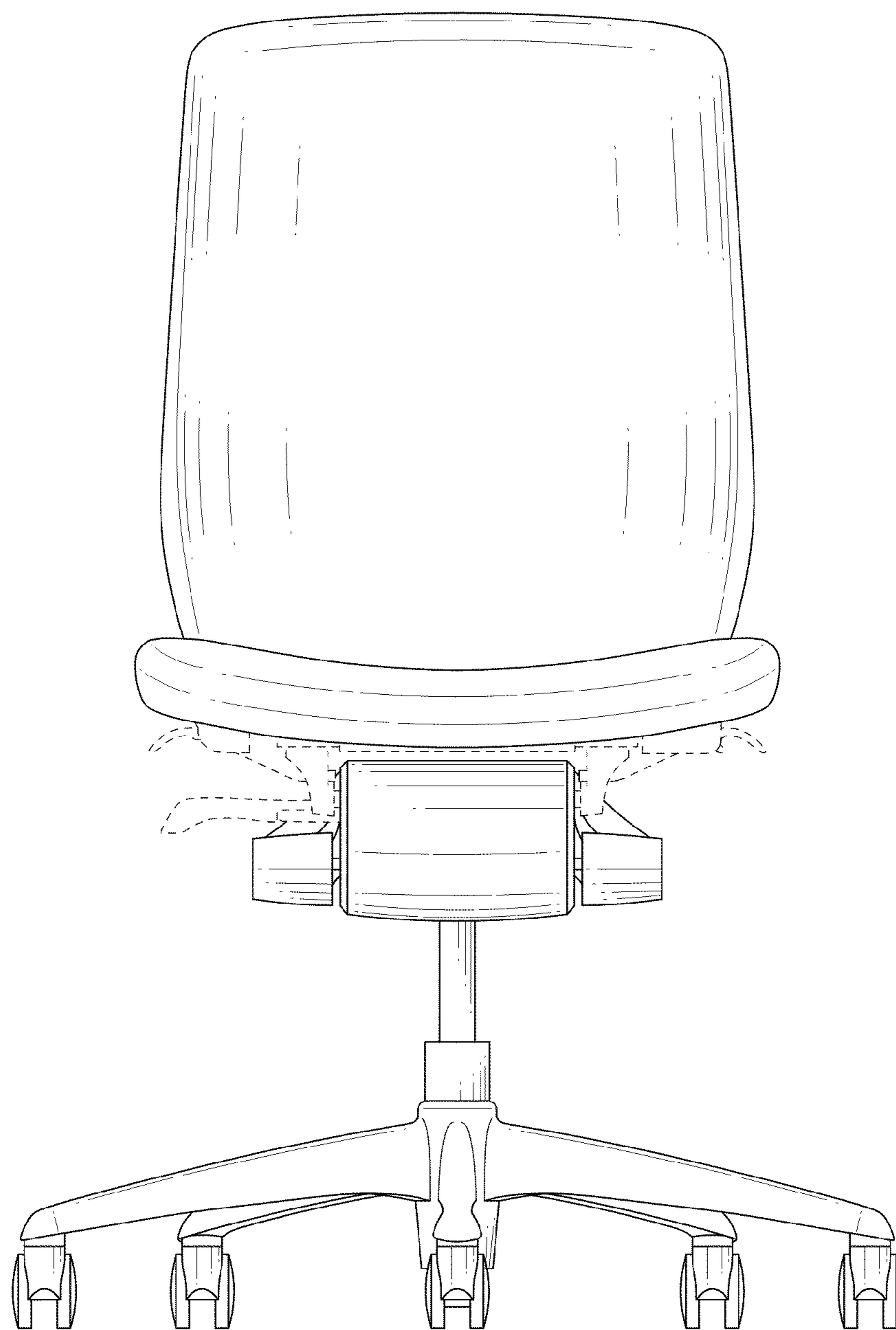


FIG. 4

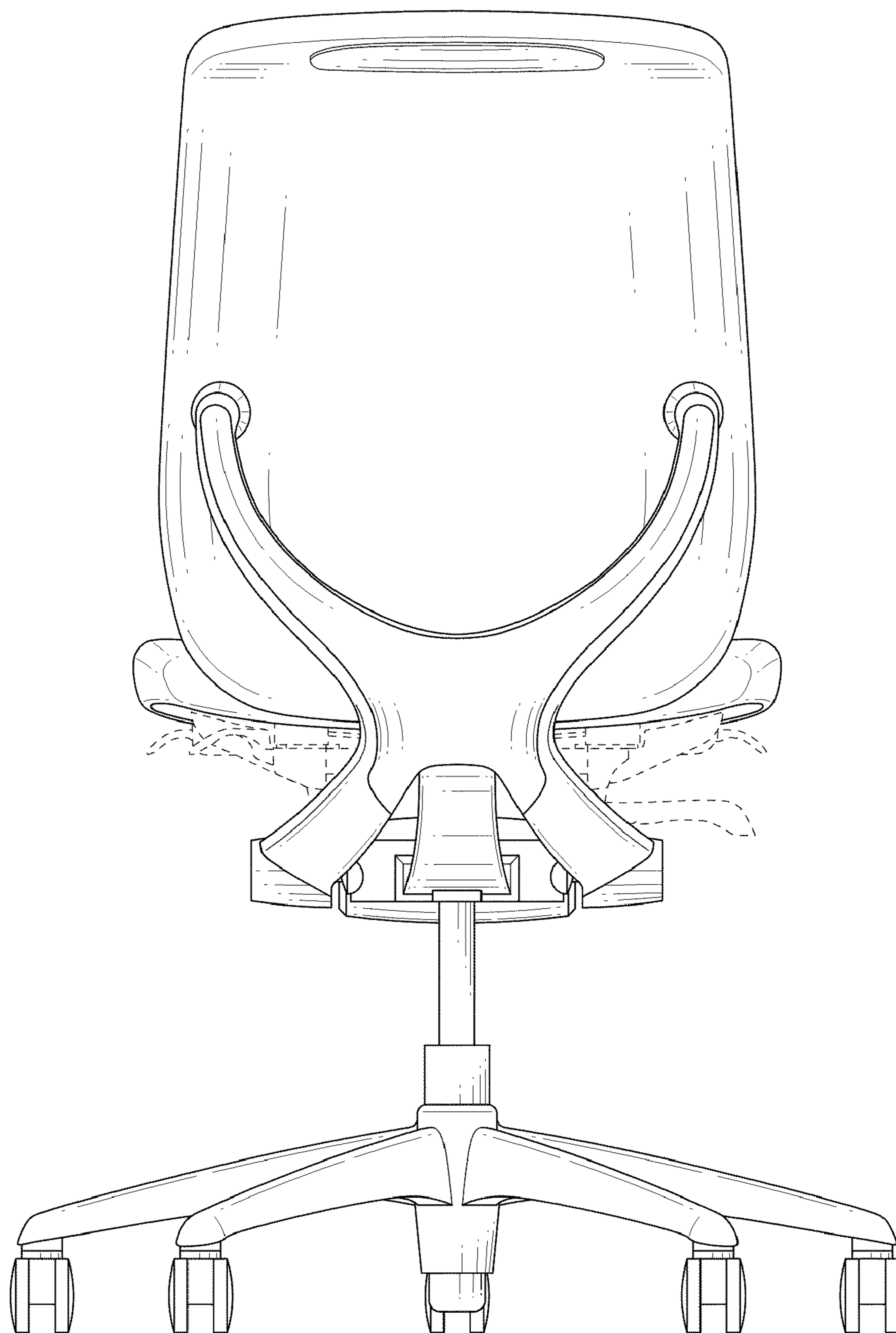


FIG. 5

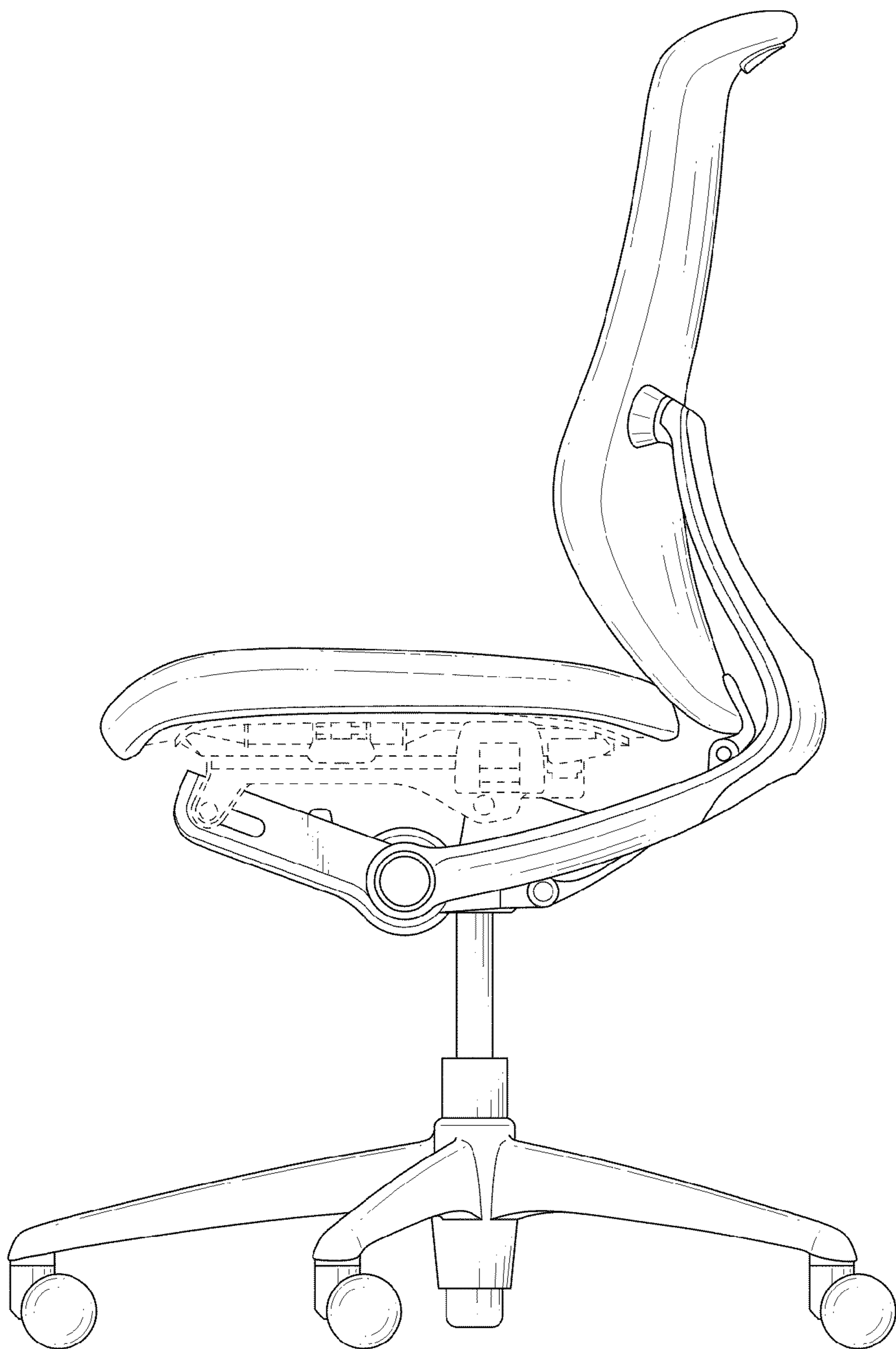


FIG. 6

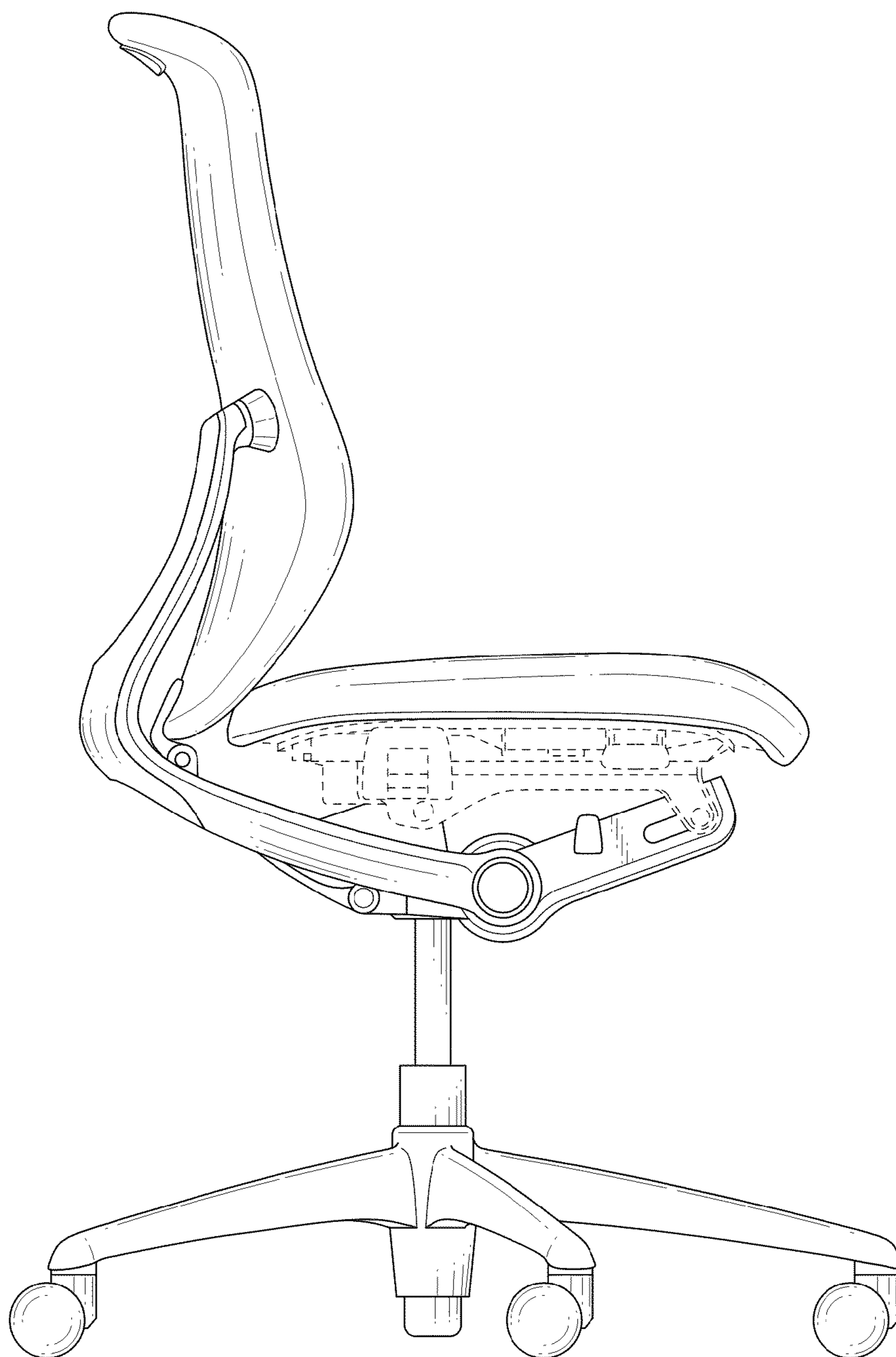


FIG. 7

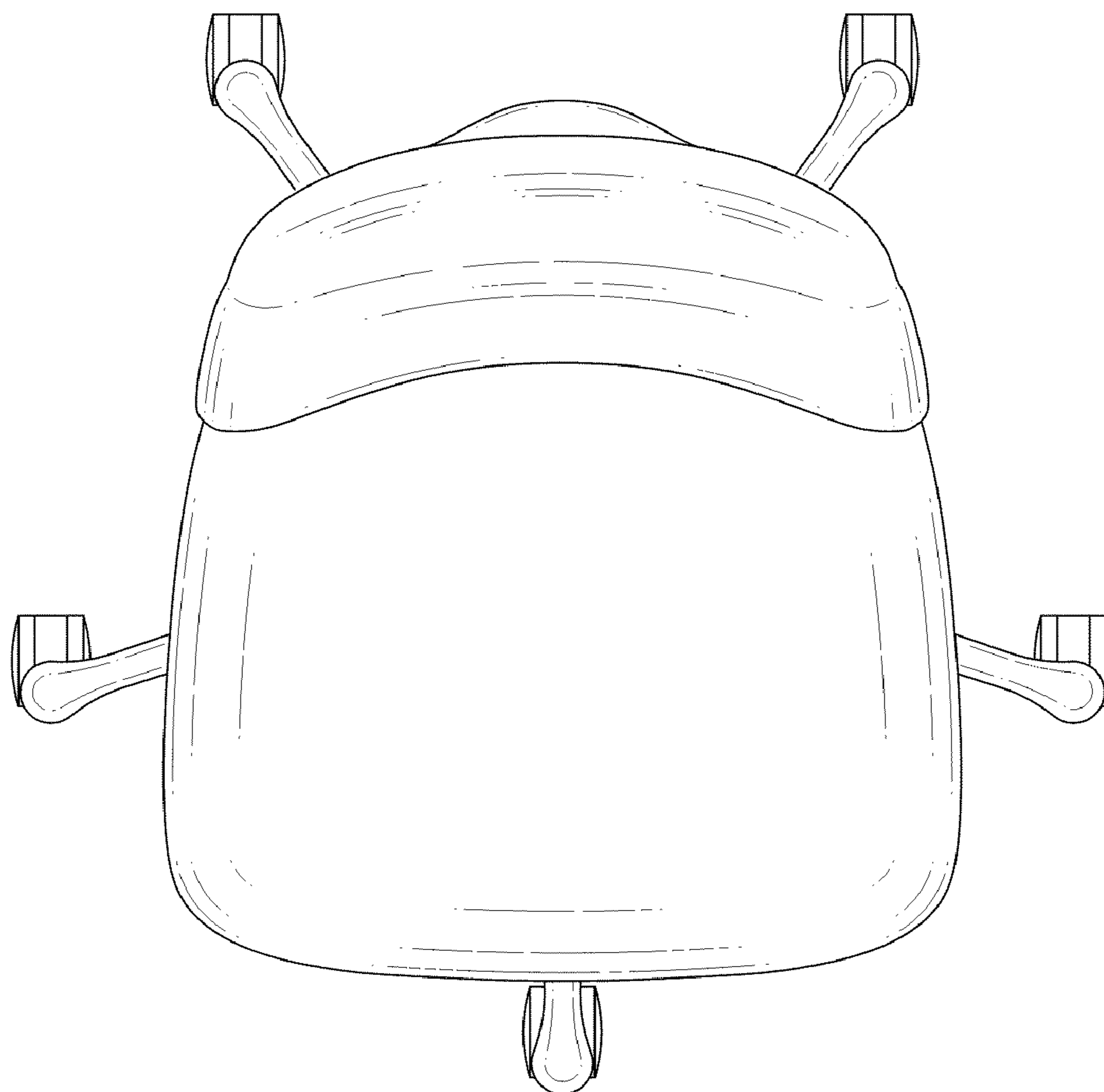


FIG. 8

