

US00D654277S

(12) **United States Design Patent**
Jones

(10) **Patent No.:** **US D654,277 S**
(45) **Date of Patent:** **** Feb. 21, 2012**

(54) **GARMENT HANGER**

(75) Inventor: **Michael Edward Jones, Ruthin (GB)**

(73) Assignee: **Mainetti (UK) Limited (GB)**

(**) Term: **14 Years**

(21) Appl. No.: **29/392,415**

(22) Filed: **May 20, 2011**

(30) **Foreign Application Priority Data**

Nov. 22, 2010 (GB) 4017911

(51) **LOC (9) Cl.** **06-08**

(52) **U.S. Cl.** **D6/326**

(58) **Field of Classification Search** D6/315-328;
211/13.1, 86.01, 119.01; 223/85-98

See application file for complete search history.

(56) **References Cited**

U.S. PATENT DOCUMENTS

2,875,932	A *	3/1959	Scott	223/91
D197,542	S *	2/1964	Levine et al.	D6/319
3,165,245	A *	1/1965	Levine et al.	223/91
3,441,184	A *	4/1969	Stein	223/89
4,160,515	A *	7/1979	Frei	223/96

4,382,531	A *	5/1983	Bisk et al.	223/91
D433,822	S *	11/2000	Sullivan	D6/328
D435,173	S *	12/2000	Morgan et al.	D6/326
D449,937	S *	11/2001	Zuckerman	D6/318
D464,814	S *	10/2002	De Winter et al.	D6/328
D472,062	S *	3/2003	Yegavian et al.	D6/326
D501,094	S *	1/2005	Hendricks	D6/326
6,923,350	B2 *	8/2005	Gouldson et al.	223/96

* cited by examiner

Primary Examiner — Prabhakar Deshmukh

(74) *Attorney, Agent, or Firm* — Jack Schwartz and Associates, PLLC

(57) **CLAIM**

The ornamental design for a garment hanger, as shown and described.

DESCRIPTION

FIG. 1 is a top plan view of a garment hanger showing my new design;

FIG. 2 is a front elevational view thereof;

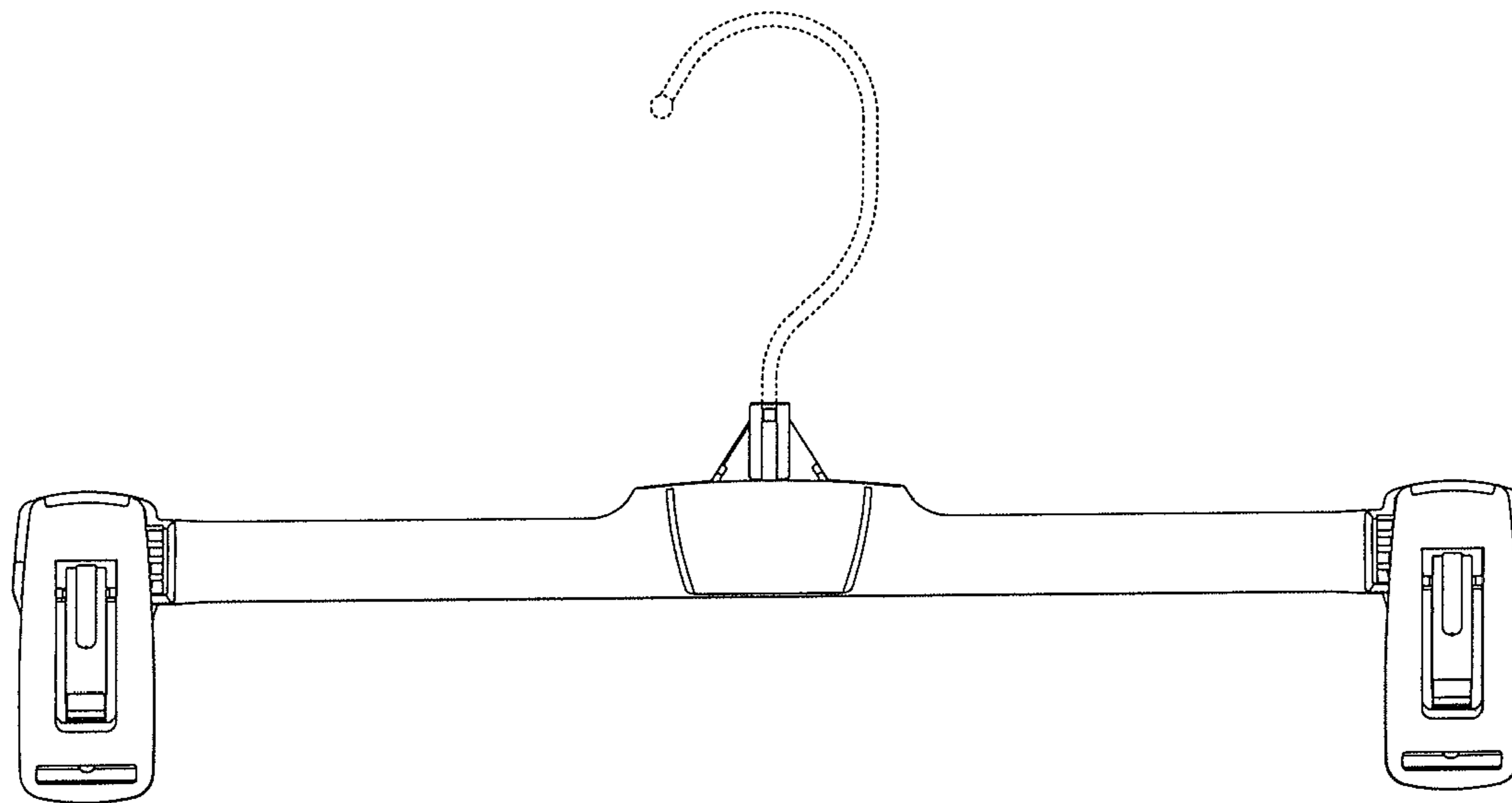
FIG. 3 is a right side elevational view thereof;

FIG. 4 is a rear elevational view thereof;

FIG. 5 is a bottom plan view thereof; and,

FIG. 6 is a left side elevational view thereof.

1 Claim, 2 Drawing Sheets



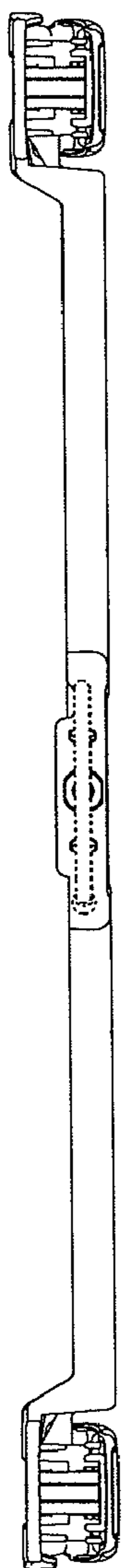


FIGURE 1

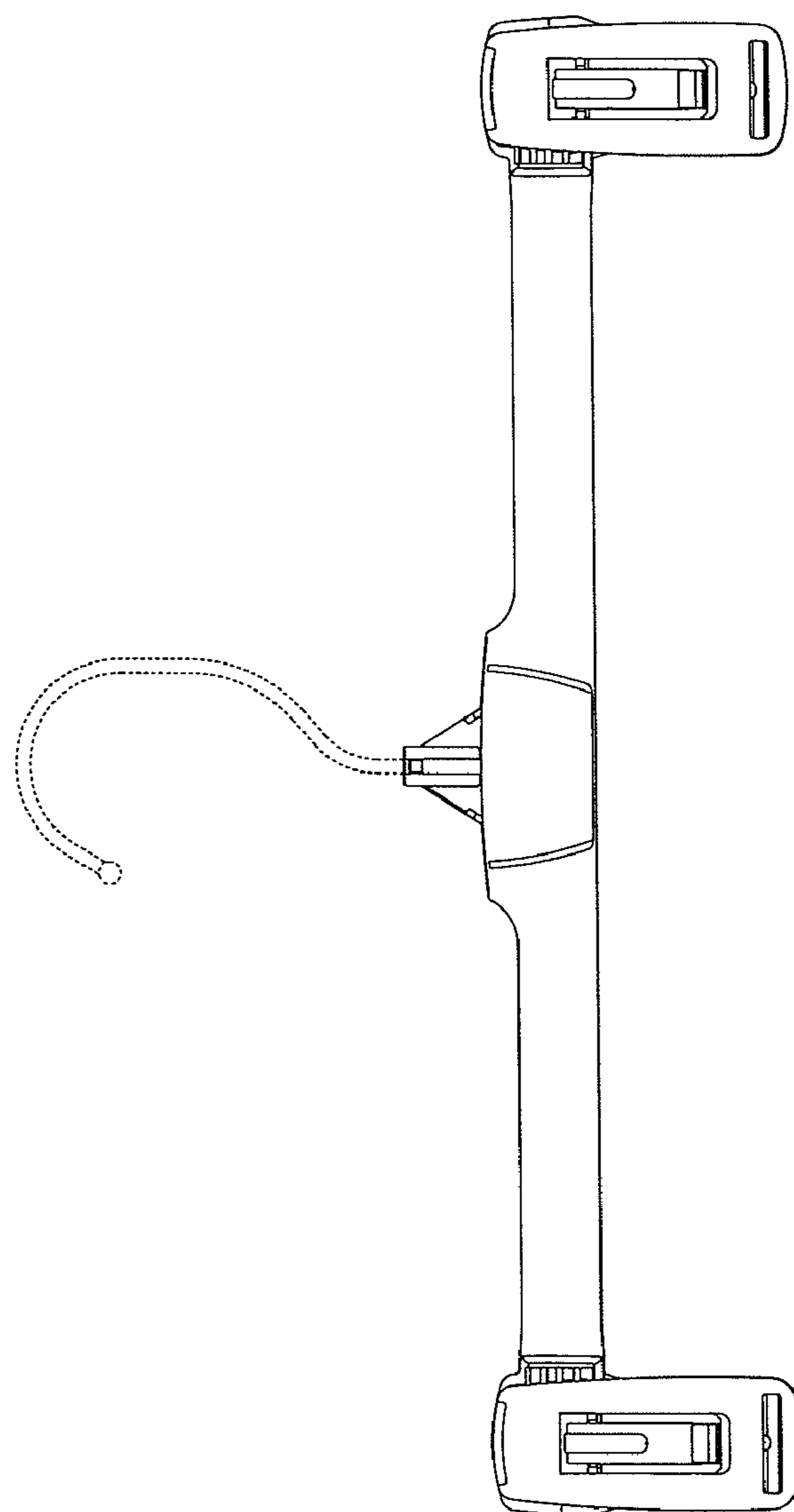


FIGURE 2

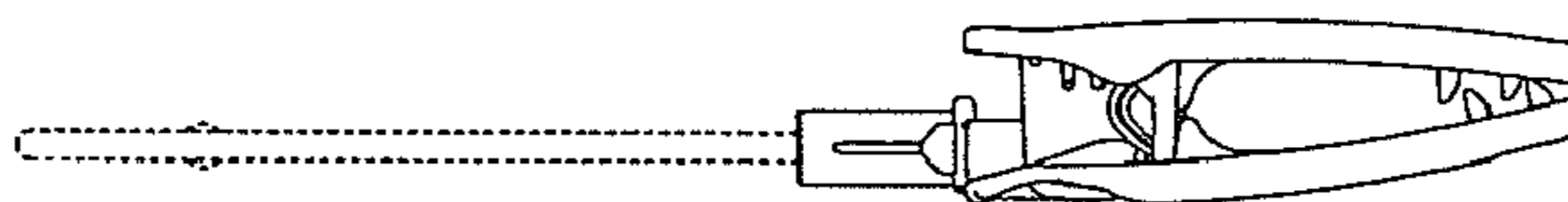


FIGURE 3

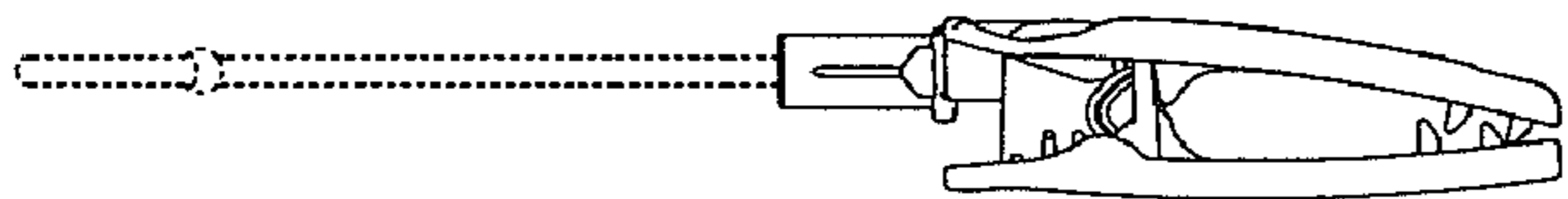


FIGURE 6

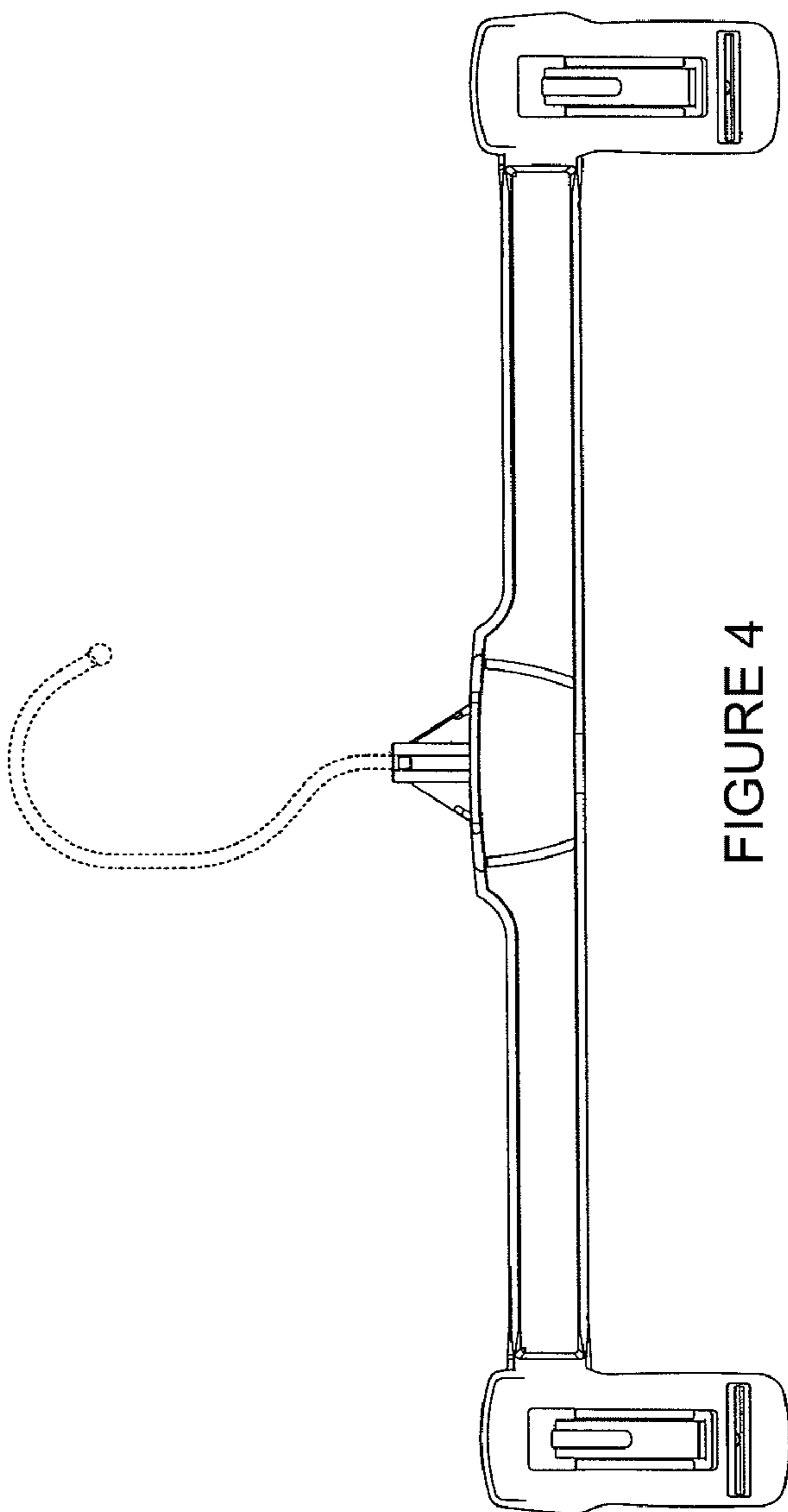


FIGURE 4

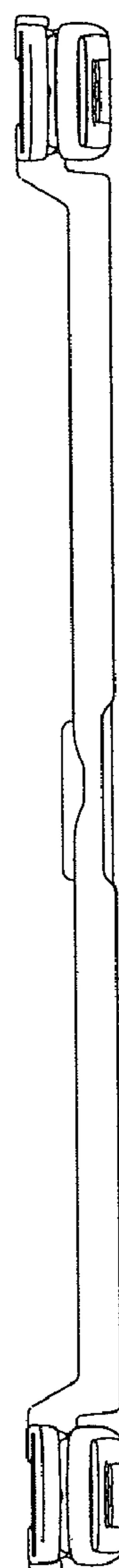


FIGURE 5