



US00D654272S

(12) **United States Design Patent**
Zemel

(10) **Patent No.:** **US D654,272 S**

(45) **Date of Patent:** **** Feb. 21, 2012**

(54) **GRILL BRUSH**

(75) Inventor: **Marc Zemel**, Melville, NY (US)

(73) Assignee: **Mr. Bar-B-Q-, Inc.**, Old Bethpage, NY (US)

(**) Term: **14 Years**

(21) Appl. No.: **29/400,081**

(22) Filed: **Aug. 23, 2011**

Related U.S. Application Data

(63) Continuation-in-part of application No. 29/381,822, filed on Dec. 23, 2010.

(51) **LOC (9) Cl.** **04-01**

(52) **U.S. Cl.** **D4/131**

(58) **Field of Classification Search** D4/119,
D4/120, 131, 132, 134, 114, 118; 15/159.1,
15/160, 106, 114, 118, 206
See application file for complete search history.

(56) **References Cited**

U.S. PATENT DOCUMENTS

201,688	A	3/1878	Leiner	
1,635,970	A *	7/1927	Cave	15/206
2,186,832	A	1/1940	Hertzberg	
3,629,895	A	12/1971	Colgan	
4,056,863	A	11/1977	Gunjian	
4,146,943	A	4/1979	Wertheimer et al.	
4,730,949	A	3/1988	Wilson	
D355,529	S	2/1995	Tsai	
D358,491	S	5/1995	Hoagland	
D366,962	S	2/1996	Whitaker	
D400,328	S	10/1998	Zemel	
D403,165	S	12/1998	Ferrante et al.	
D429,889	S	8/2000	Fielding	
6,438,784	B1	8/2002	Yu	
D468,107	S	1/2003	Shen	

D502,323	S *	3/2005	Zemel	D4/120
D544,714	S *	6/2007	Zemel	D4/114
D589,705	S	4/2009	Zemel	
D601,345	S *	10/2009	Wales	D4/118
D601,346	S *	10/2009	Wales	D4/119
D601,347	S	10/2009	Wales	
D601,350	S *	10/2009	Wales	D4/199
D601,808	S *	10/2009	Wales	D4/119
D616,204	S *	5/2010	Zemel	D4/114
D632,088	S *	2/2011	Zemel	D4/131

FOREIGN PATENT DOCUMENTS

JP 10113229 5/1998

OTHER PUBLICATIONS

U.S. Appl. No. 29/381,822, filed Dec. 23, 2010, Marc Zemel.

* cited by examiner

Primary Examiner — Austin Murphy

(74) *Attorney, Agent, or Firm* — Carter, DeLuca, Farrell & Schmidt LLP

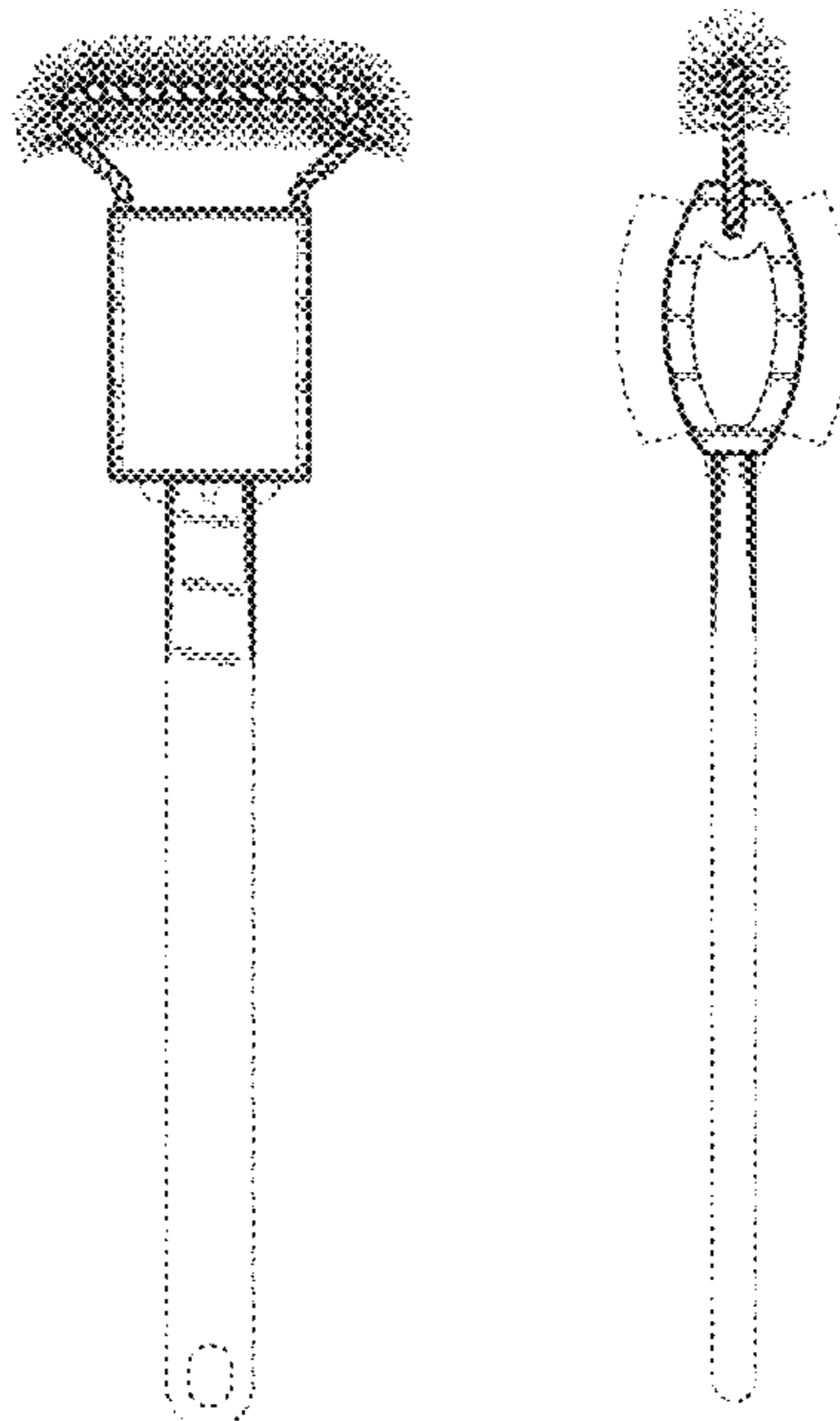
(57) **CLAIM**

The ornamental design for a grill brush, as shown and described.

DESCRIPTION

FIG. 1 is a front elevational view of a grill brush in accordance with the present design, the rear elevational view being a mirror image thereof;
FIG. 2 is a side elevational view thereof, the opposite side being a mirror image thereof;
FIG. 3 is a top plan view thereof; and,
FIG. 4 is a bottom plan view thereof.
The broken lines shown are included for the purpose of illustrating a portion of the grill brush that forms no part of the claimed design.

1 Claim, 3 Drawing Sheets



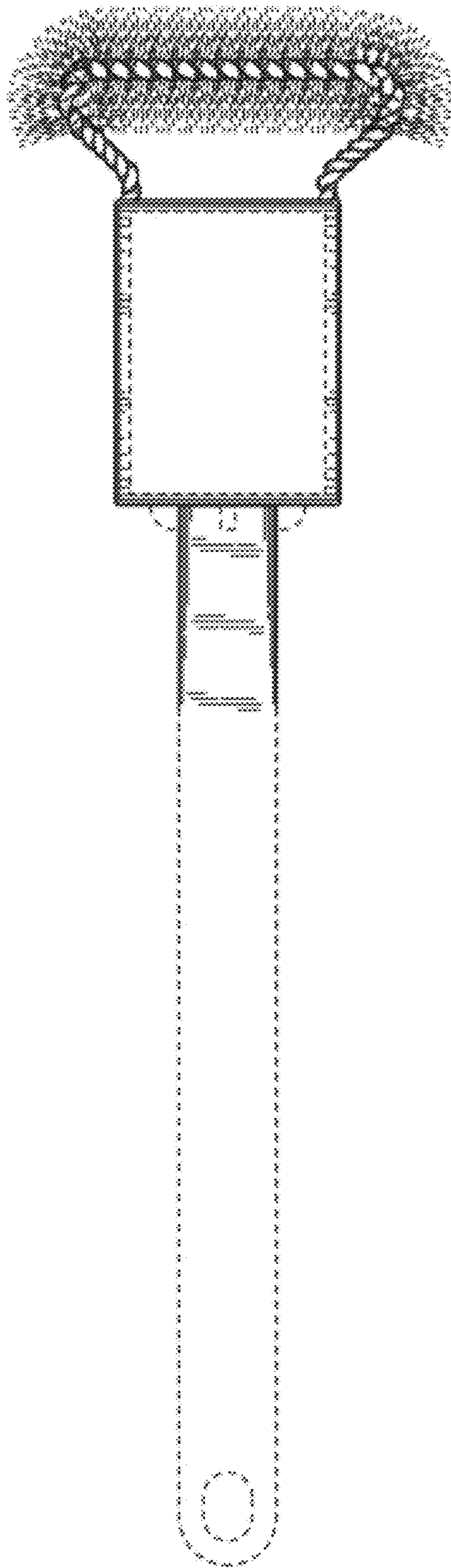


FIG. 1

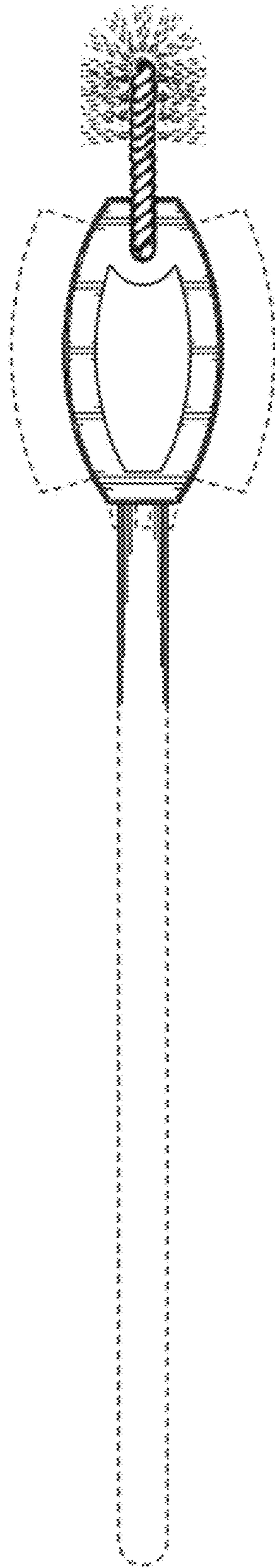


FIG. 2

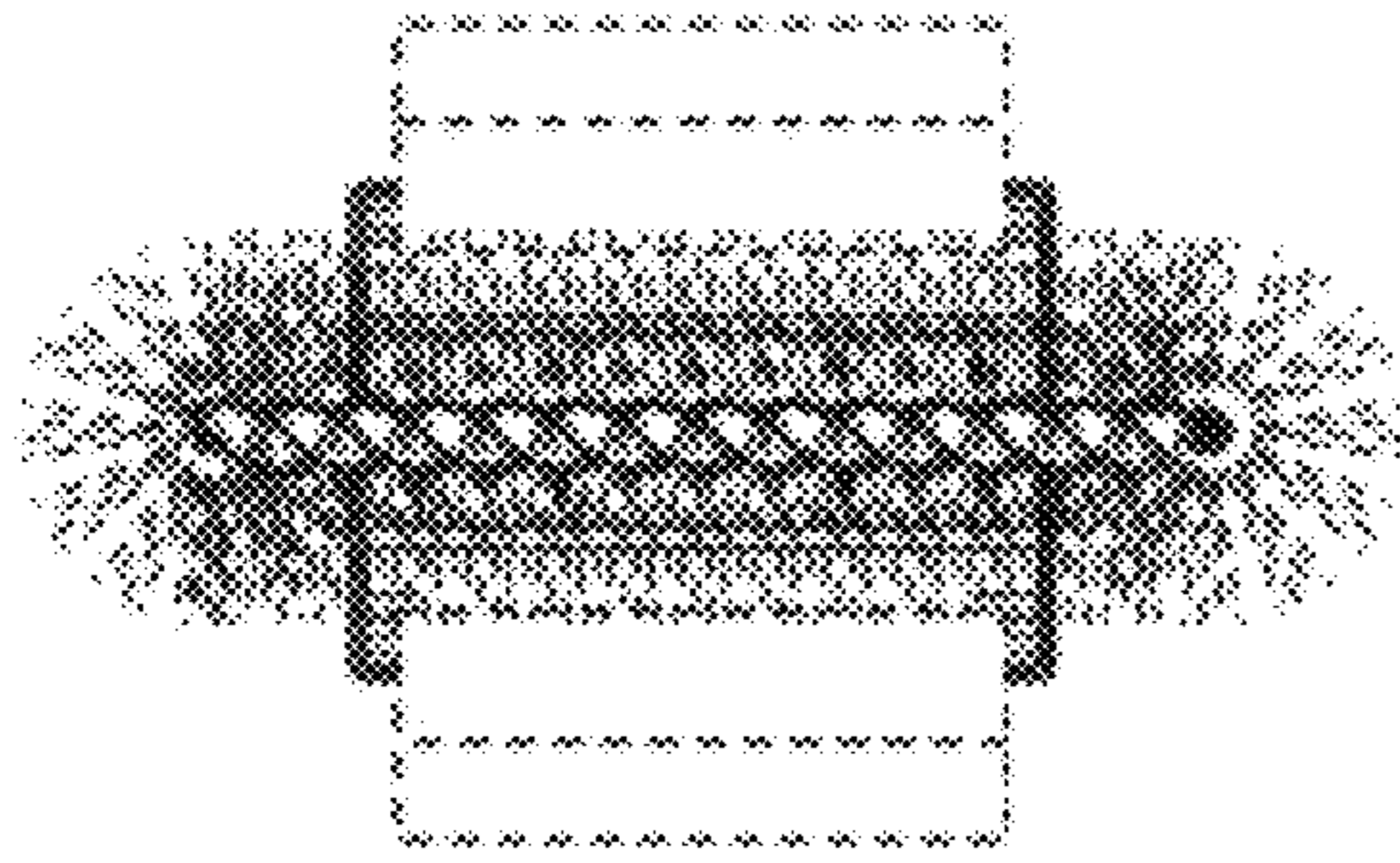


FIG. 3

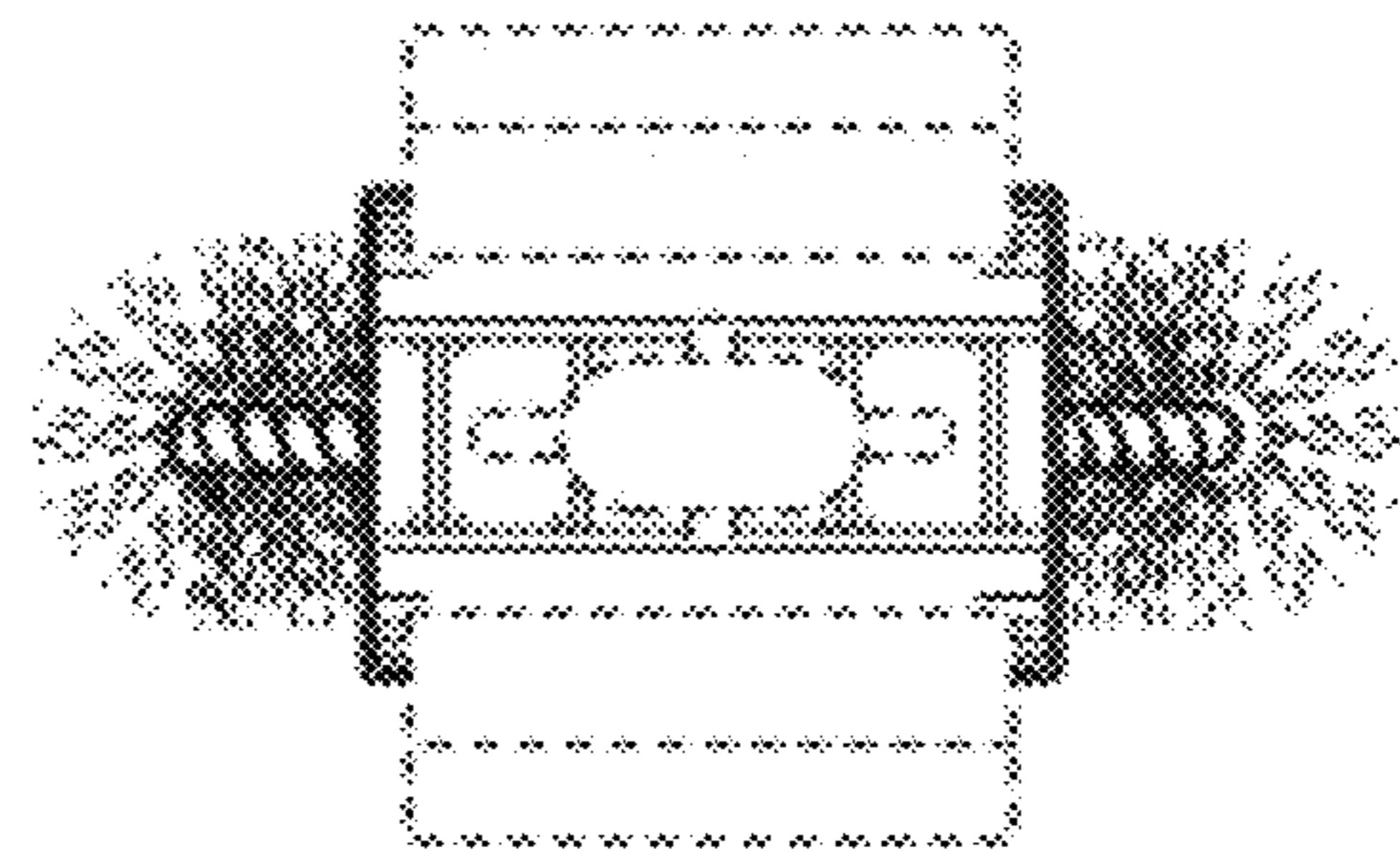


FIG. 4