



US00D654269S

(12) **United States Design Patent**
Cullen

(10) **Patent No.:** **US D654,269 S**

(45) **Date of Patent:** **** Feb. 21, 2012**

(54) **PRODUCE BIN**

(75) **Inventor:** **Thomas P. Cullen**, Clinton Township, MI (US)

(73) **Assignee:** **Facility Solutions, Inc.**, Clinton Township, MI (US)

(**) **Term:** **14 Years**

(21) **Appl. No.:** **29/342,022**

(22) **Filed:** **Aug. 17, 2009**

(51) **LOC (9) Cl.** **03-01**

(52) **U.S. Cl.** **D3/313**

(58) **Field of Classification Search** D3/304-314;
D6/510, 511, 491; D7/672, 553.1, 553.2,
D7/555; 206/503, 505, 509, 512, 214; 220/532,
220/529, 553, 523, 524, 525, 349, 345.5,
220/345.6; 62/258, 446, 229, 465, 440; 312/114,
312/324, 229, 240, 128

See application file for complete search history.

(56) **References Cited**

U.S. PATENT DOCUMENTS

767,293	A *	8/1904	Kaus	206/214
D133,046	S *	7/1942	Wade	D7/672
3,130,288	A *	4/1964	Monaco et al.	219/385
D232,522	S *	8/1974	Hakansson	D3/313

4,802,340	A *	2/1989	Johnson	62/229
5,247,807	A	9/1993	Jarman et al.		
5,727,857	A *	3/1998	Smith	312/114
5,927,092	A *	7/1999	Kushen et al.	62/258
6,202,432	B1 *	3/2001	Haasis	62/258
D447,371	S *	9/2001	Quinn	D6/510
6,695,419	B2 *	2/2004	Searer et al.	312/348.3
D512,836	S *	12/2005	Marnell, II	D3/313
7,028,498	B2 *	4/2006	Monroe et al.	62/258

* cited by examiner

Primary Examiner — Robert M Spear

Assistant Examiner — Rashida C McCoy

(74) *Attorney, Agent, or Firm* — Gifford, Krass, Sprinkle, Anderson & Citkowski, P.C.; Mark D. Schneider

(57) **CLAIM**

I claim the ornamental design for a produce bin, as shown and described.

DESCRIPTION

FIG. 1 is a perspective view of a produce bin, showing my new design;

FIG. 2 is a planar top view of the produce bin;

FIG. 3 is a planar front view of the produce bin;

FIG. 4 is a planar rear view of the produce bin;

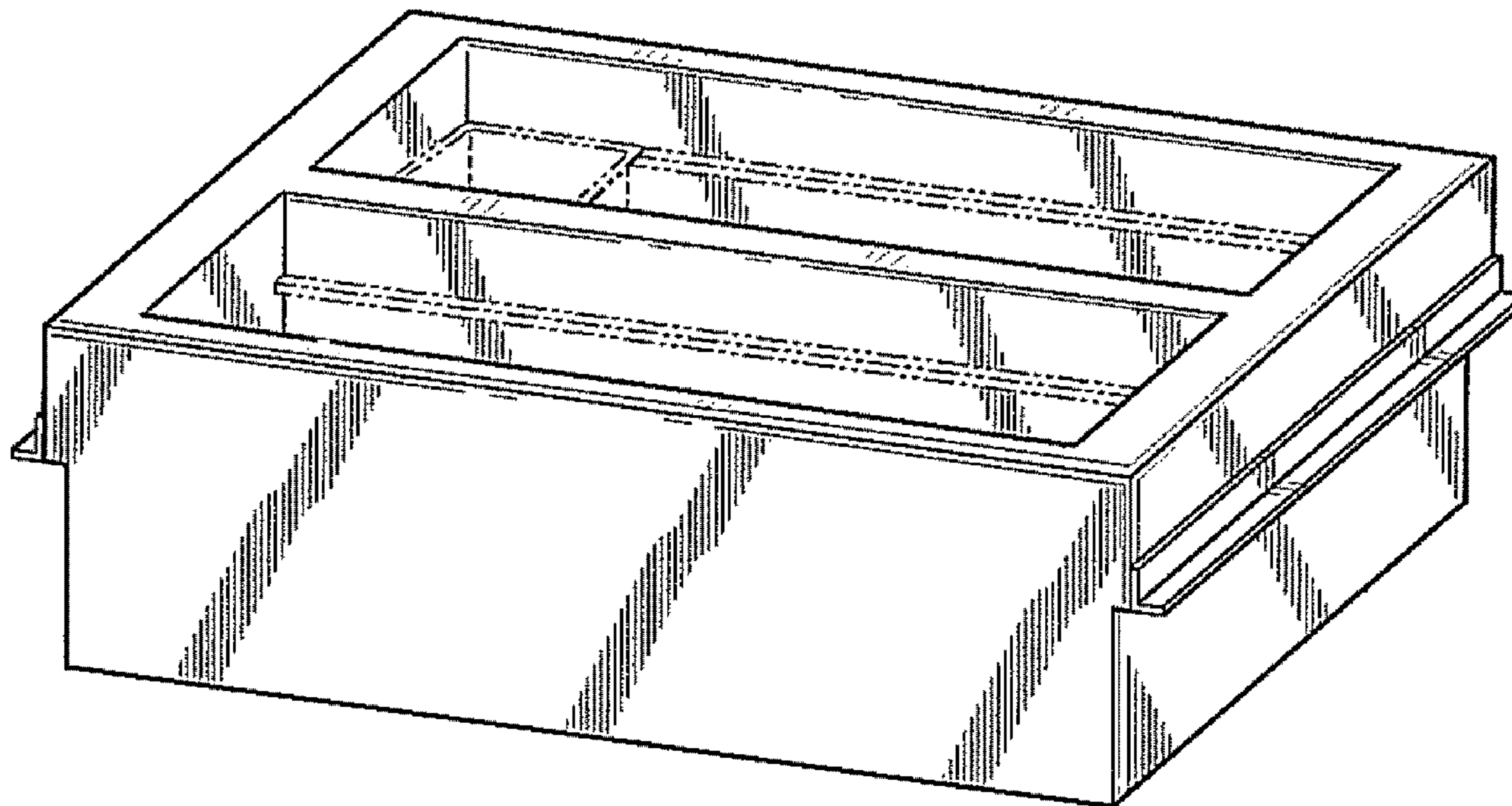
FIG. 5 is a view of one side of the produce bin;

FIG. 6 is a view of the opposite side of the produce bin; and,

FIG. 7 is a bottom view of the produce bin.

The broken lines in the drawings illustrate unclaimed environmental structure.

1 Claim, 2 Drawing Sheets



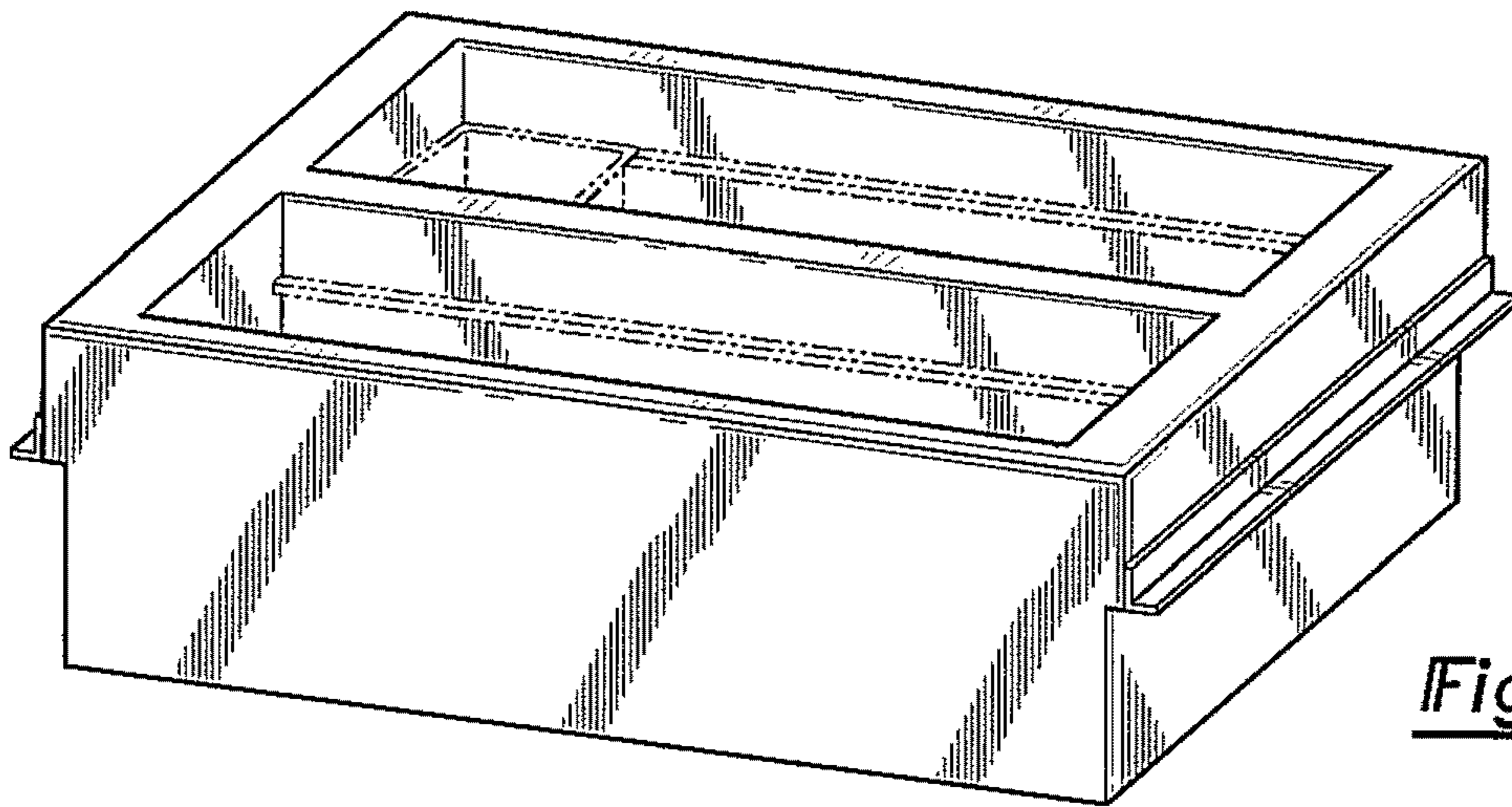


Fig-1

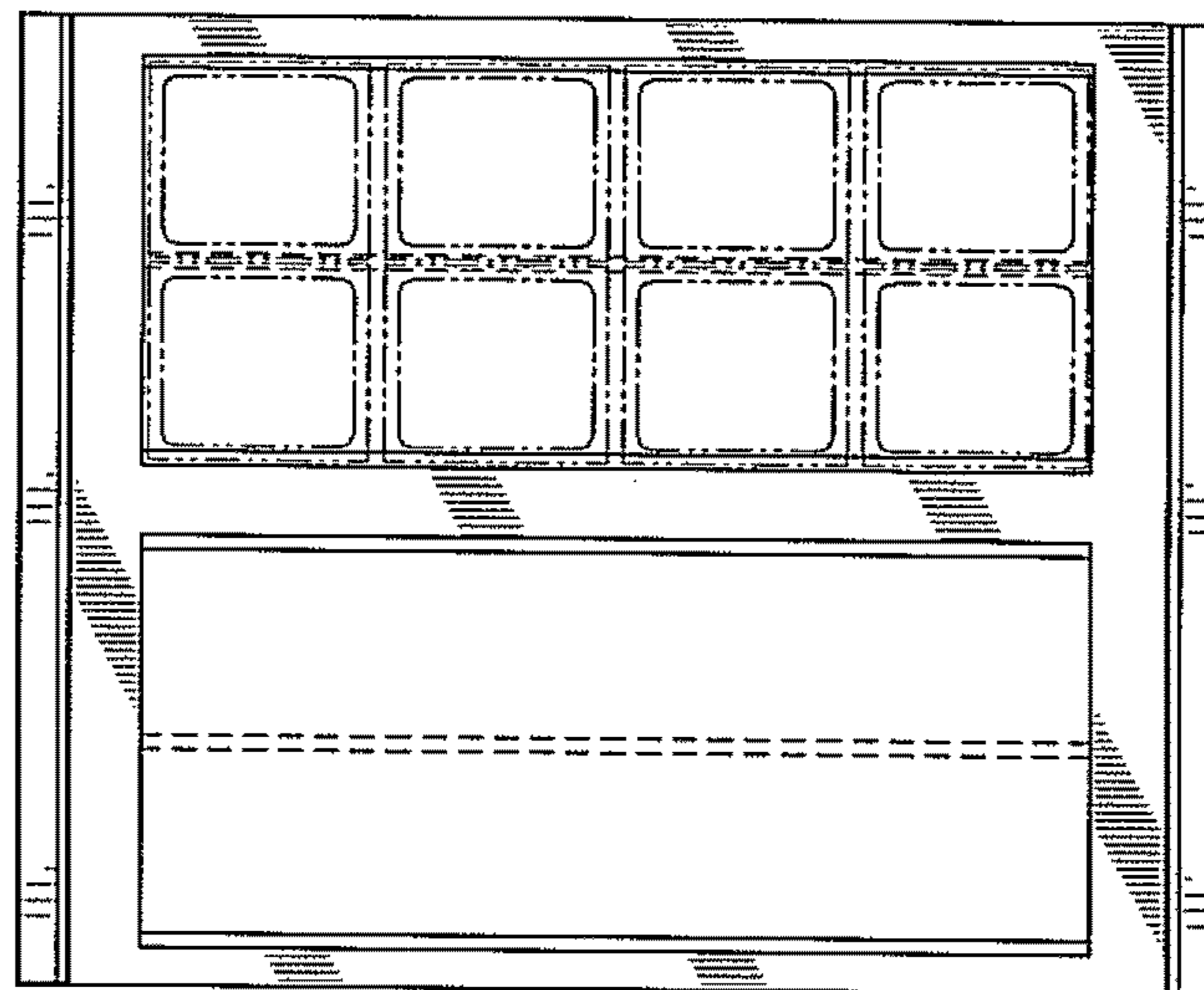


Fig-2

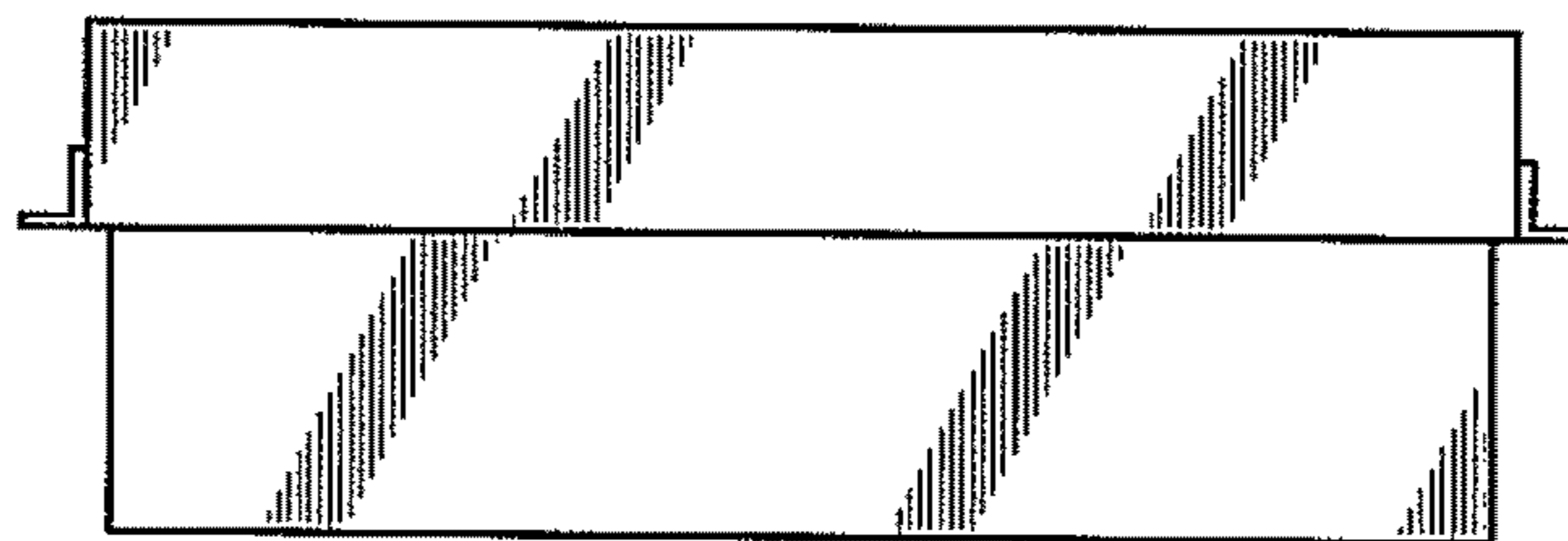


Fig-3

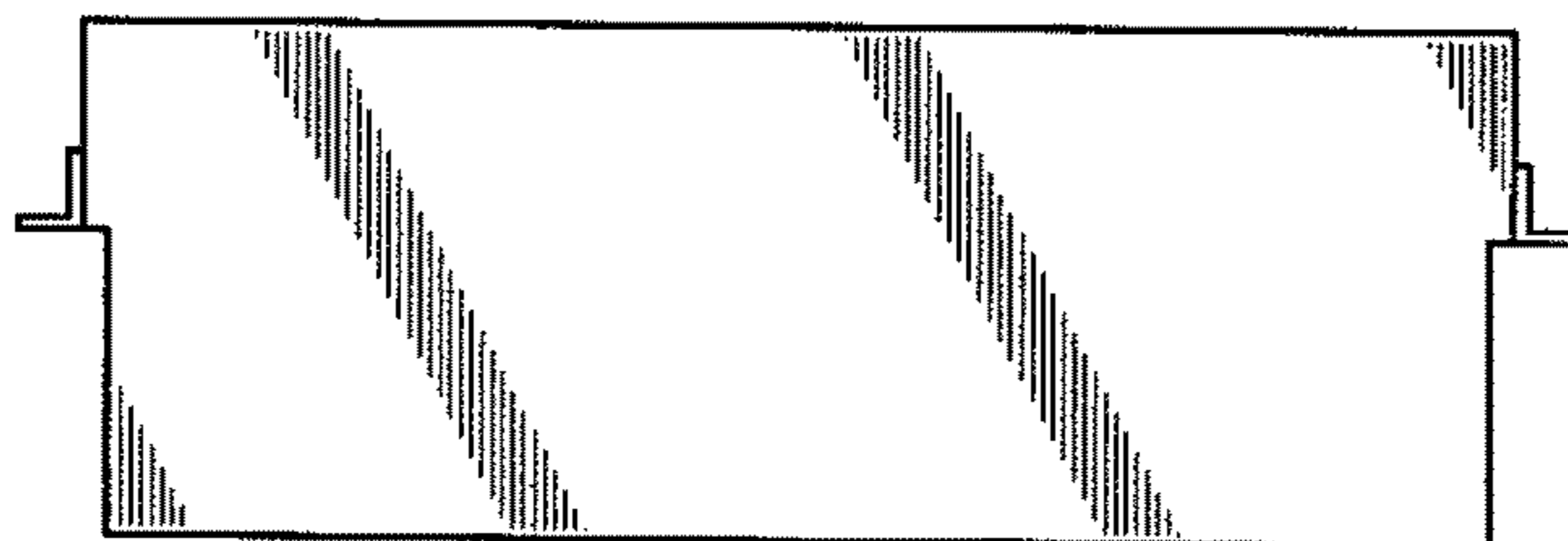


Fig-4

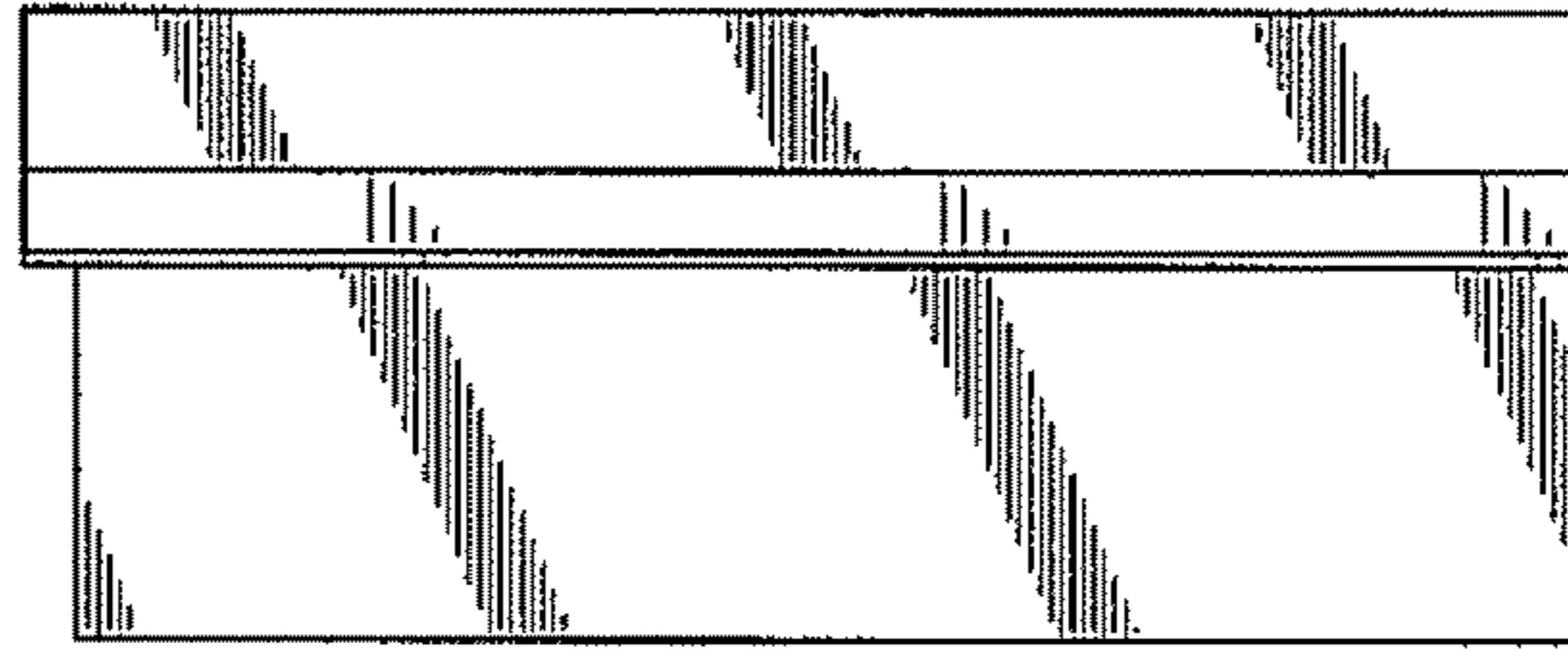


Fig-5

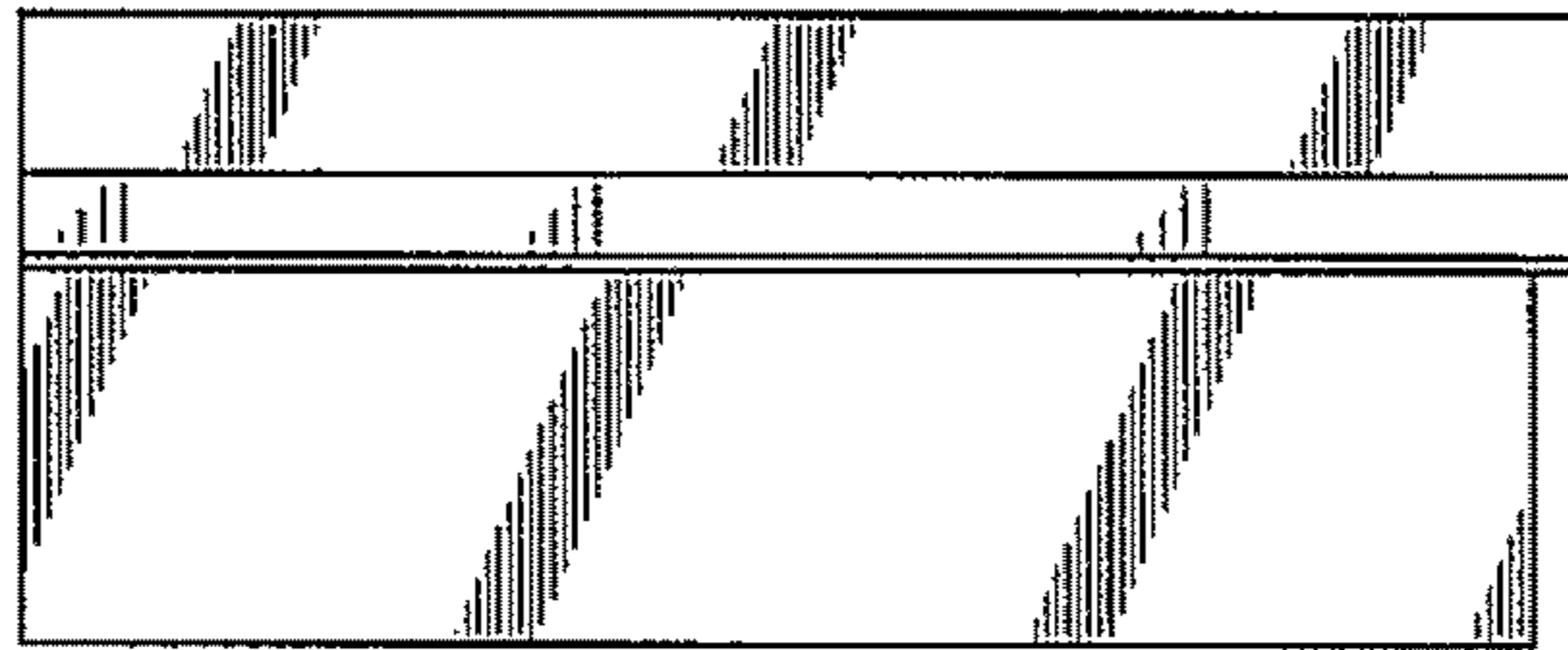


Fig-6

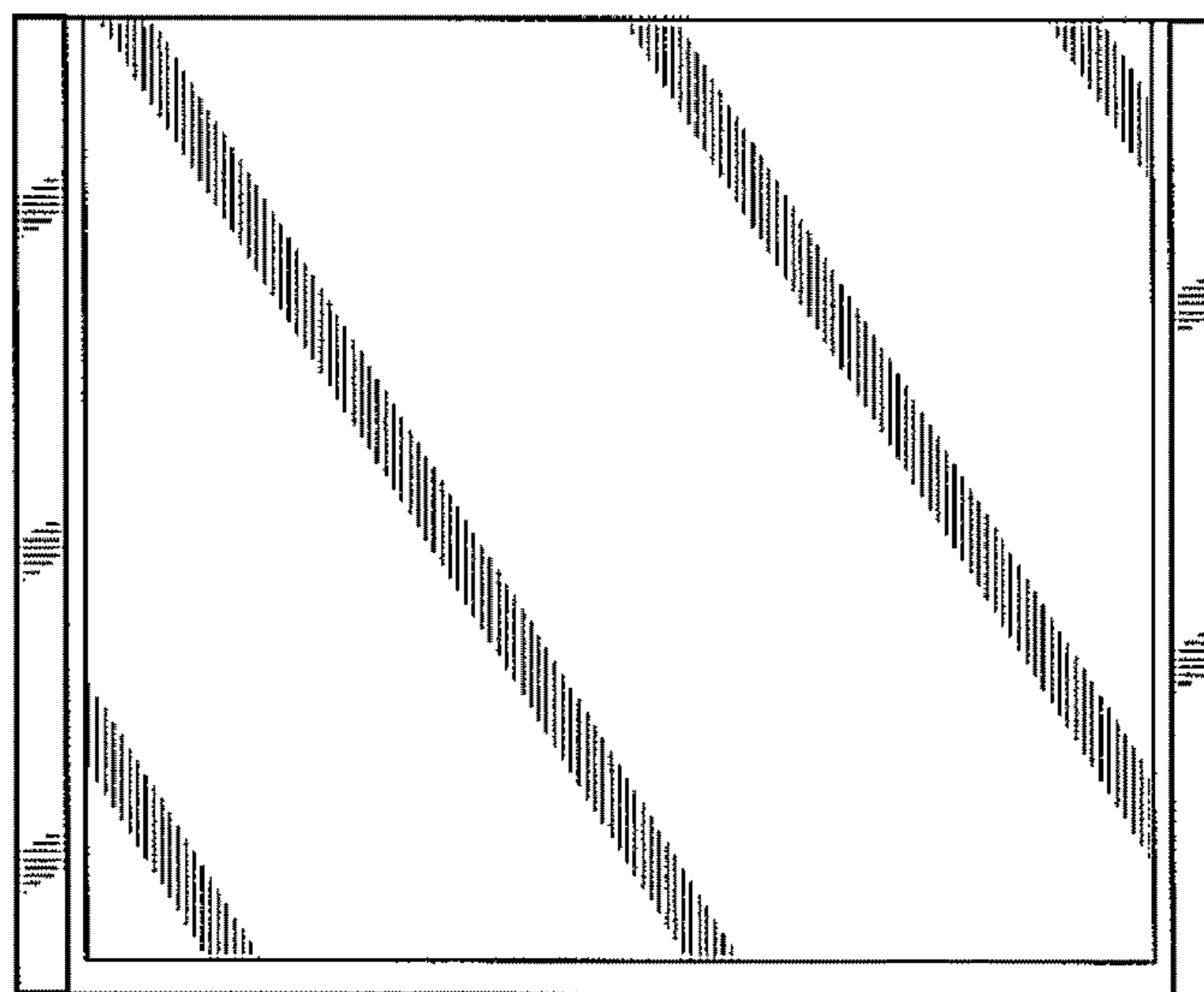


Fig-7