



US00D654268S

(12) **United States Design Patent**
Boncimino et al.

(10) **Patent No.:** **US D654,268 S**

(45) **Date of Patent:** **** Feb. 21, 2012**

(54) **GOLF BAG PARTITION**

(75) Inventors: **Angelo Boncimino**, Palm Beach Gardens, FL (US); **Andy Cimini**, Lebanon, TN (US)

(73) Assignee: **Mulligan Seven, LLC**, Orland Park, IL (US)

(**) Term: **14 Years**

(21) Appl. No.: **29/377,284**

(22) Filed: **Oct. 20, 2010**

(51) **LOC (9) Cl.** **03-01**

(52) **U.S. Cl.** **D3/255**

(58) **Field of Classification Search** D3/255;
206/315.2–315.8

See application file for complete search history.

(56) **References Cited**

U.S. PATENT DOCUMENTS

| | | | | |
|----------------|--------|---------------|-------|-----------|
| D382,707 S * | 8/1997 | Wang | | D3/255 |
| D413,018 S * | 8/1999 | Boldig et al. | | D3/255 |
| 6,619,475 B2 * | 9/2003 | Chang | | 206/315.6 |
| 7,025,202 B2 * | 4/2006 | Jansen et al. | | 206/315.3 |
| 7,775,353 B2 * | 8/2010 | Kagen | | 206/315.6 |

* cited by examiner

Primary Examiner — Holly Baynham

(74) *Attorney, Agent, or Firm* — Barnes & Thornburg LLP; Mark J. Nahnsen

(57) **CLAIM**

The ornamental design for a golf bag partition, as shown and described.

DESCRIPTION

FIG. 1 is an isometric view of a top portion of a golf bag partition;

FIG. 2 is an isometric view of the top portion of the golf bag partition;

FIG. 3 is a front view of the top portion of the golf bag partition;

FIG. 4 is a rear view of the top portion of the golf bag partition;

FIG. 5 is a side view of the top portion of the golf bag partition;

FIG. 6 is another side view of the top portion of the golf bag partition;

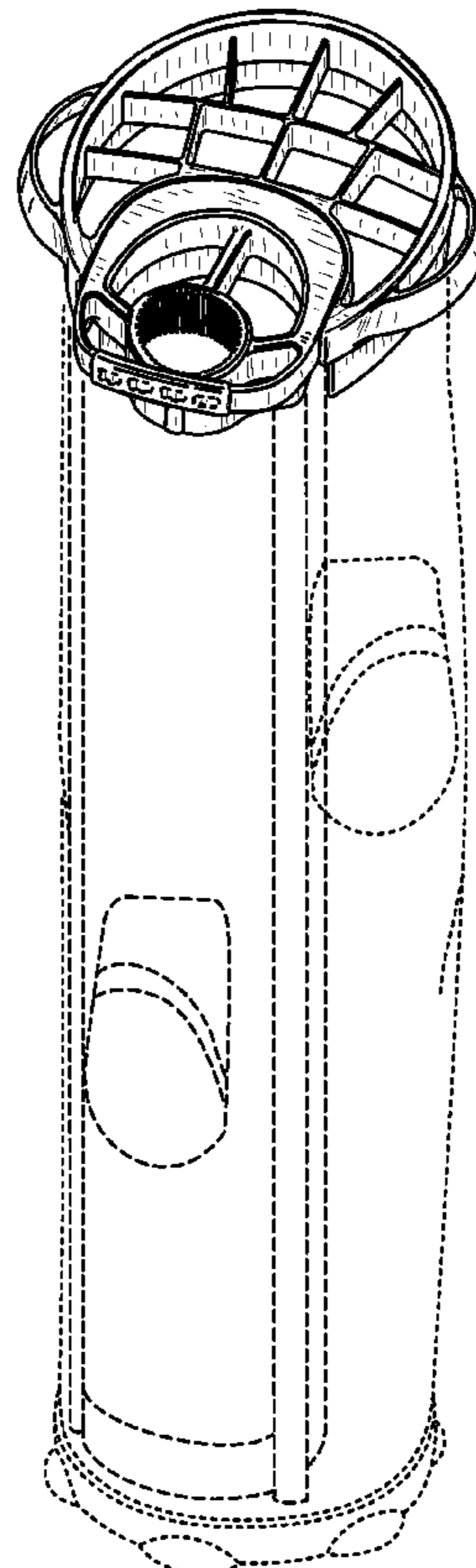
FIG. 7 is a top view of the top portion of the golf bag partition; and,

FIG. 8 is a bottom view of the top portion of the golf bag partition.

The portions shown in broken lines are included to show environment and form no part of the claimed design.

The broken lines showing a golf bag and a golf bag portion are for the purposes of illustrating environment and form no part of the claimed design.

1 Claim, 4 Drawing Sheets



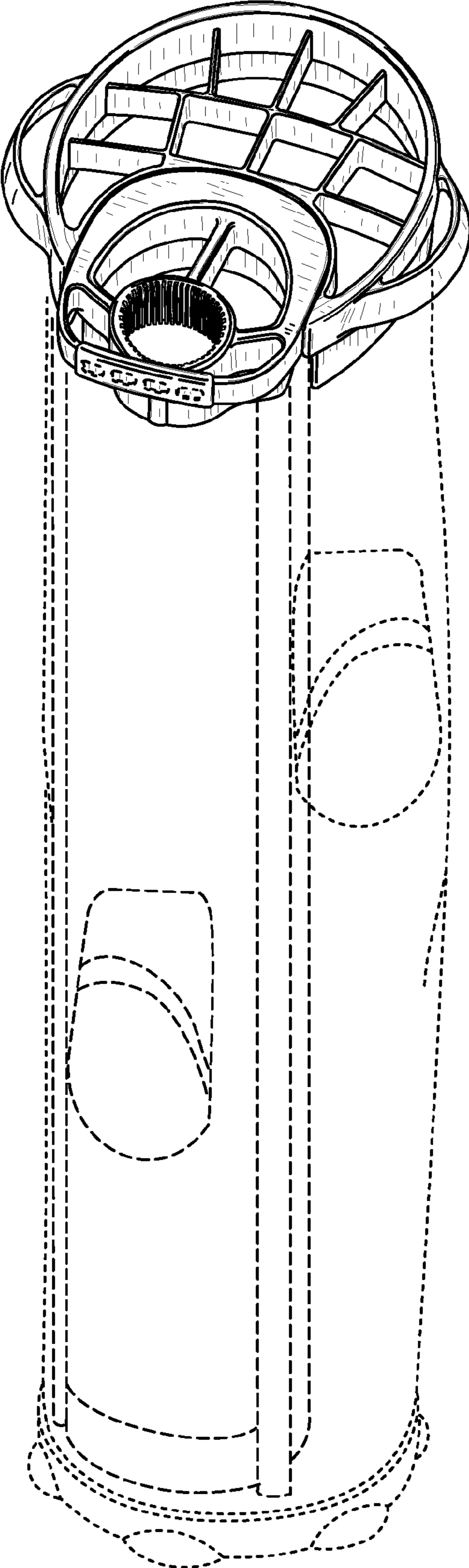


FIG. 1

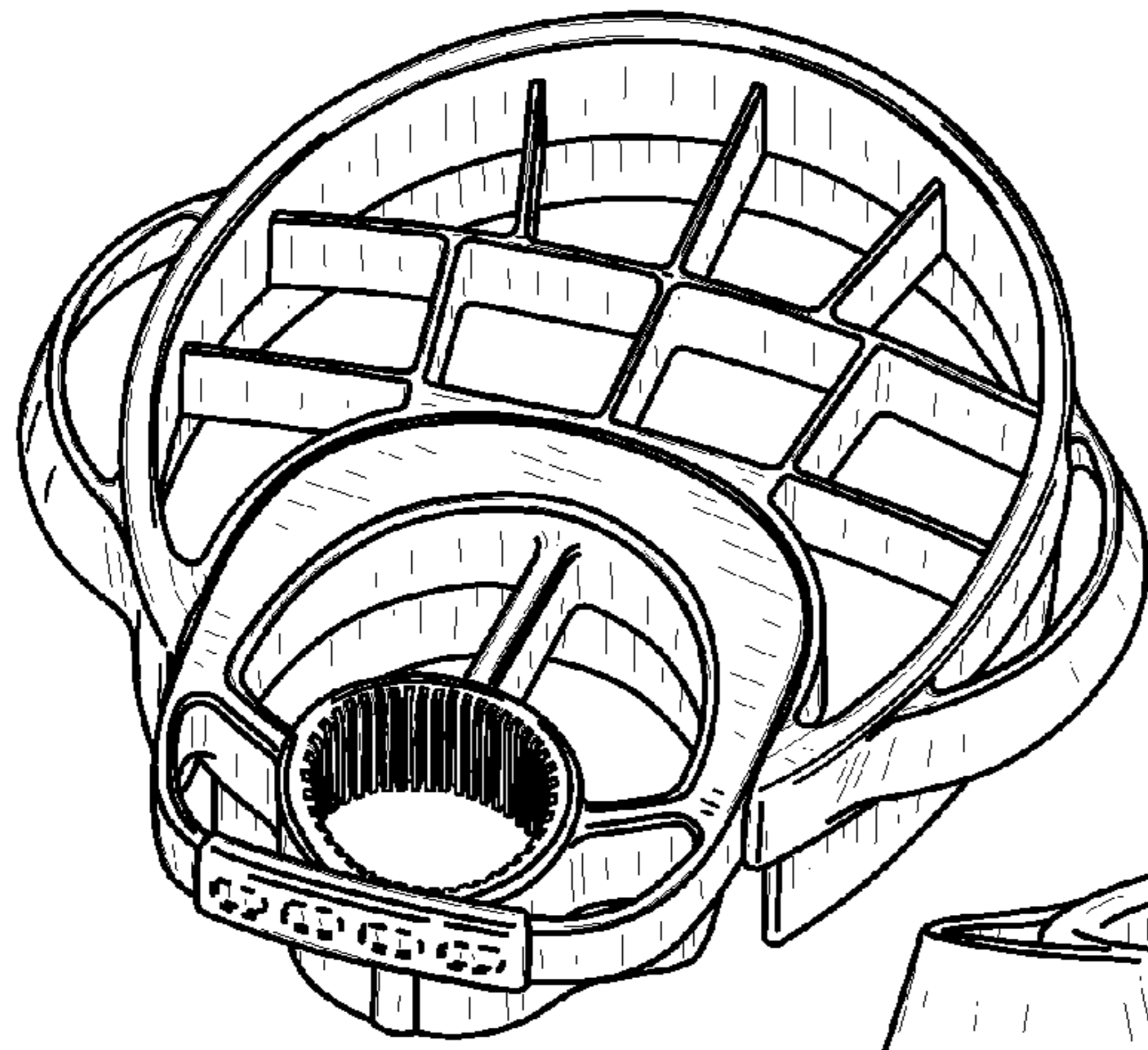


FIG. 2

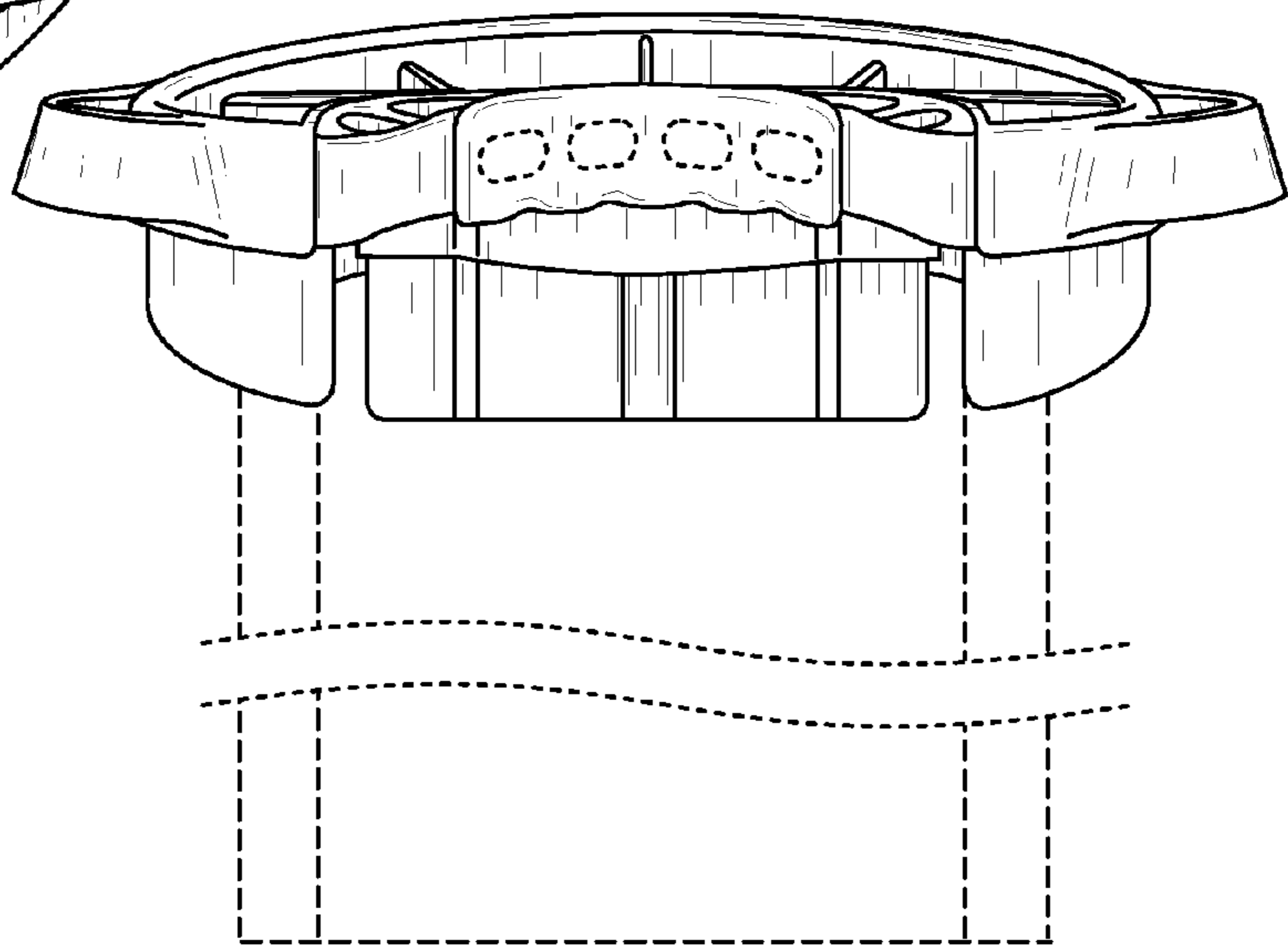


FIG. 3

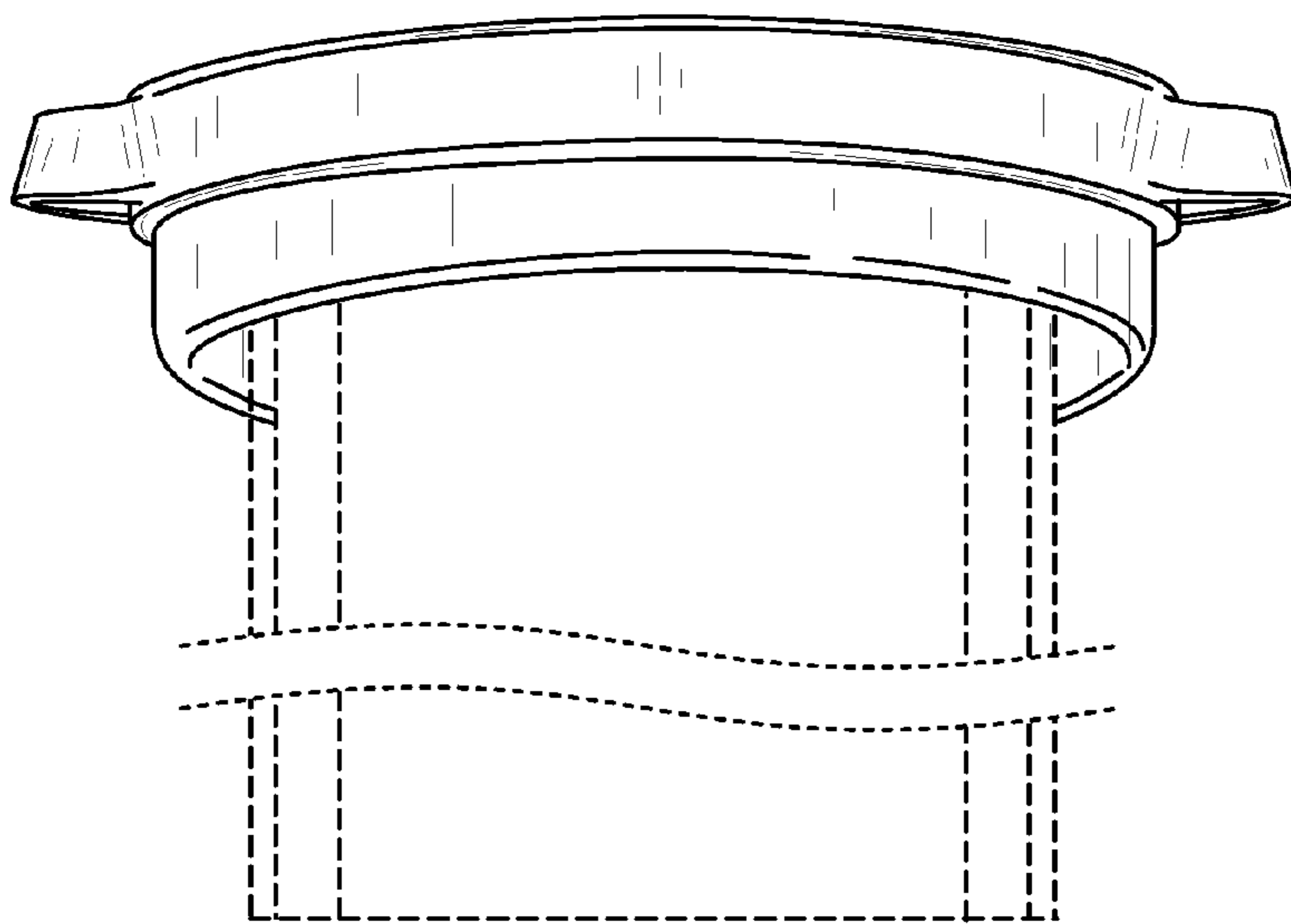


FIG. 4

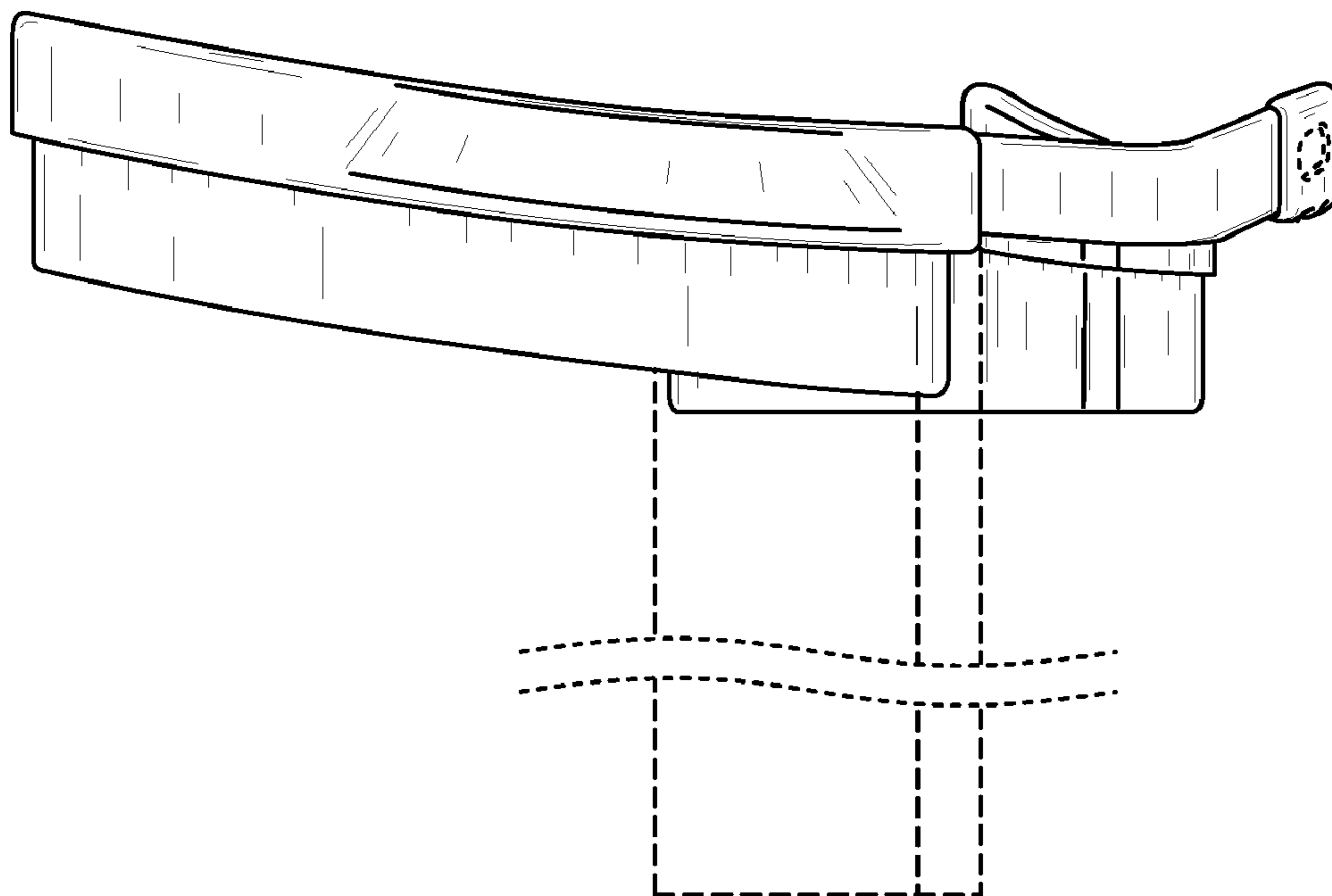


FIG. 5

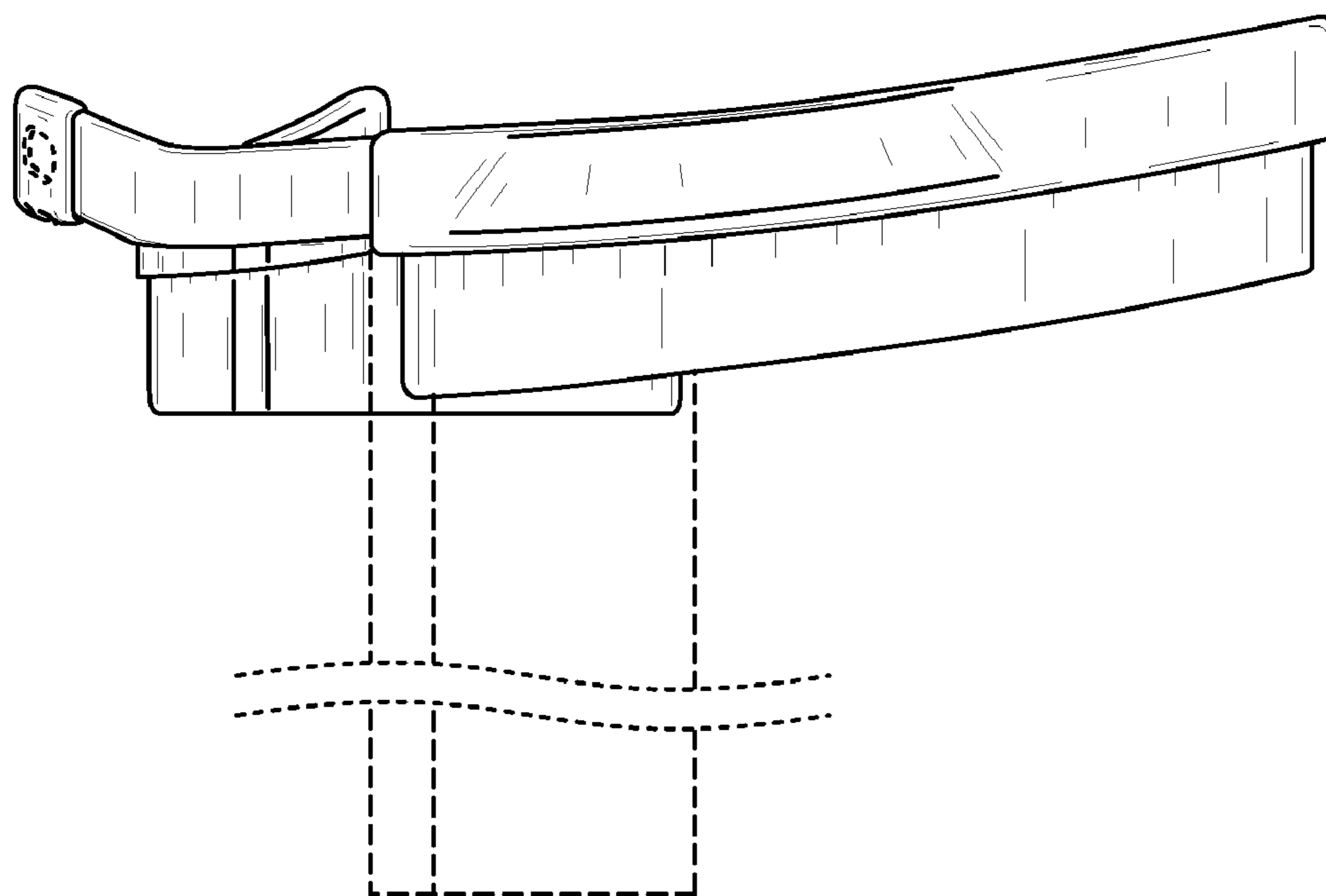


FIG. 6

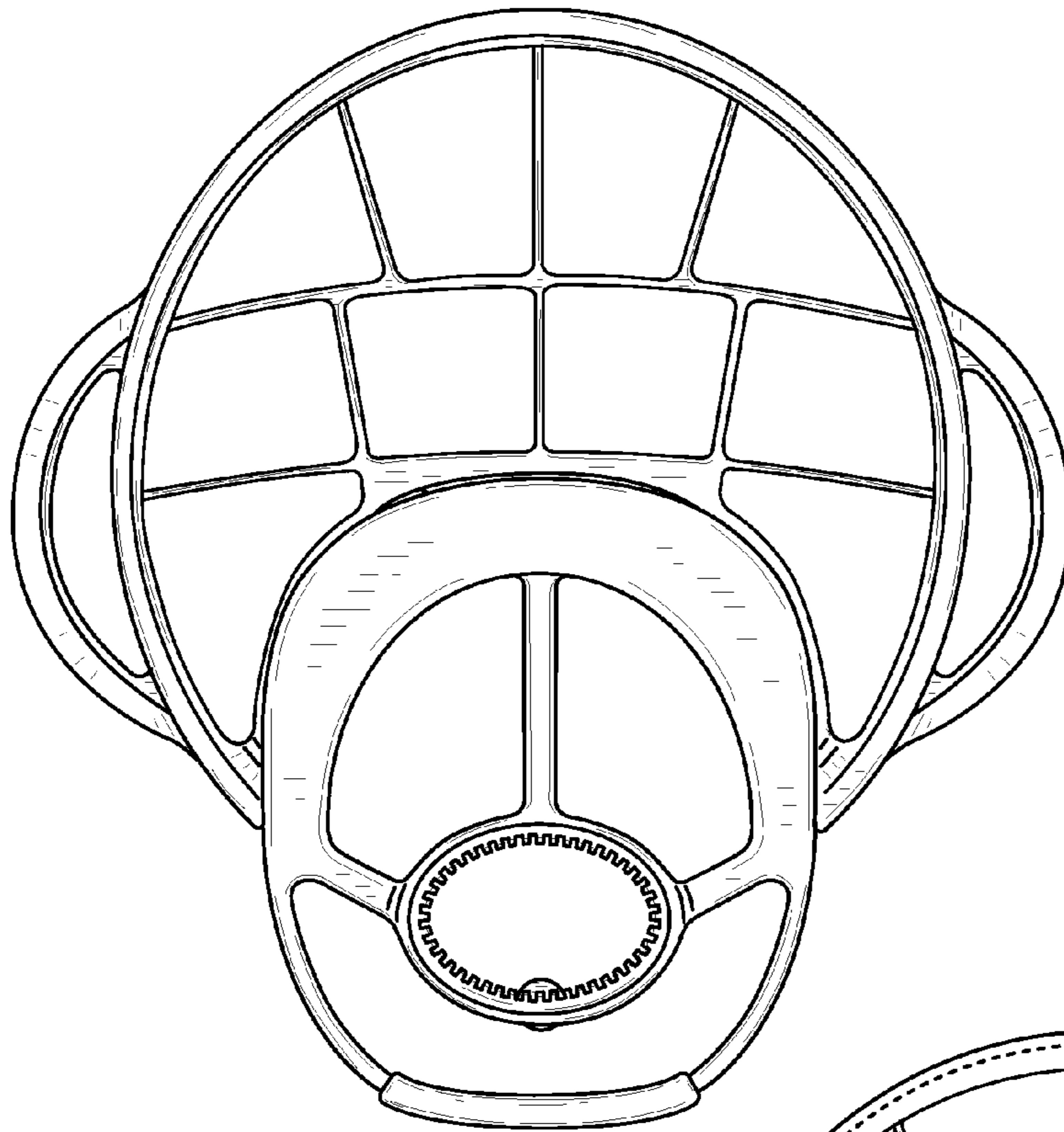


FIG. 7

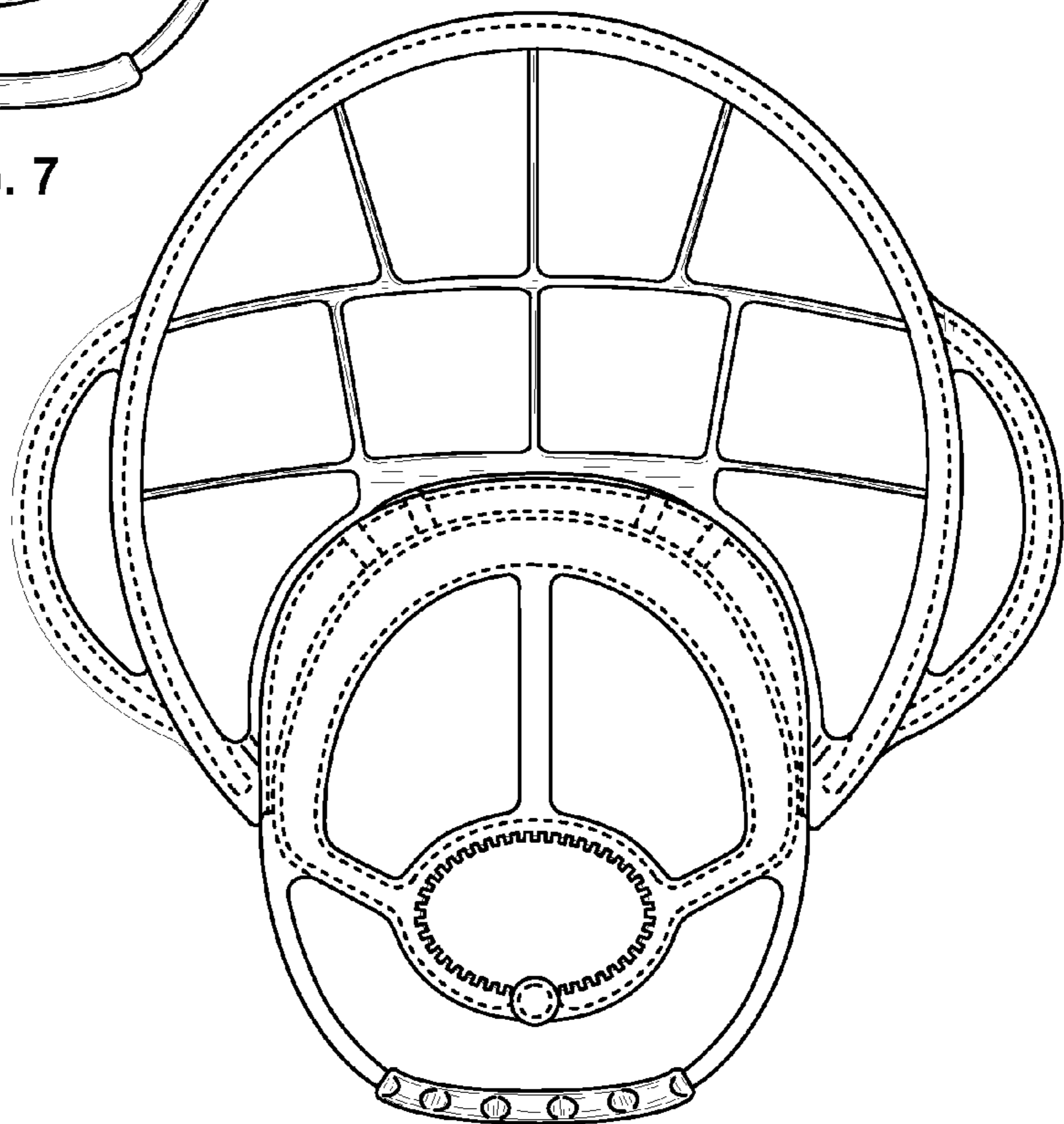


FIG. 8