



US00D654266S

(12) **United States Design Patent**
EI

(10) **Patent No.:** **US D654,266 S**
(45) **Date of Patent:** **** Feb. 21, 2012**

(54) **HARNESS FOR SUPPORTING AN ELECTRONIC DEVICE**

(75) Inventor: **Yusef EI**, Brooklyn, NY (US)

(73) Assignee: **F3M3 Companies, Inc.**, Miramar, FL (US)

(**) Term: **14 Years**

(21) Appl. No.: **29/389,152**

(22) Filed: **Apr. 7, 2011**

(51) **LOC (9) Cl.** **03-01**

(52) **U.S. Cl.** **D3/218**

(58) **Field of Classification Search** D3/218,
D3/215, 227, 224, 226, 228; 224/219, 222,
224/267, 269, 901, 647, 667-668; 206/316.2,
206/305, 320

See application file for complete search history.

(56) **References Cited**

U.S. PATENT DOCUMENTS

5,064,109	A *	11/1991	Caster	224/267
D341,488	S *	11/1993	Walasek	D3/227
5,941,434	A *	8/1999	Green	224/250
6,330,961	B1 *	12/2001	Borja	224/222
6,899,255	B2 *	5/2005	Pringle	224/221
D554,365	S *	11/2007	Zhou	D3/218
D555,353	S *	11/2007	Kennedy	D3/218
D597,302	S *	8/2009	Adams et al.	D3/227
D616,197	S *	5/2010	Fucella	D3/218
D642,792	S *	8/2011	Tremblay	D3/218

* cited by examiner

Primary Examiner — Catheri Oliver

(74) *Attorney, Agent, or Firm* — Carol N. Green, Esq.

(57) **CLAIM**

The ornamental design for a harness for supporting an electronic device, as shown and described.

DESCRIPTION

FIG. 1 is a top plan view of the harness for supporting an electronic device.

FIG. 2 is a bottom plan view of the harness for supporting an electronic device.

FIG. 3 is a front view of the harness for supporting an electronic device.

FIG. 4 is a rear view of the harness for supporting an electronic device.

FIG. 5 is a right view of the harness for supporting an electronic device in an open position.

FIG. 6 is a left view of the harness for supporting an electronic device in an open position.

FIG. 7 is a top perspective view of the harness for supporting an electronic device in an open position.

FIG. 8 is a bottom perspective view of the harness for supporting an electronic device in an open position.

FIG. 9 is a top plan view of the harness for supporting an electronic device in a closed position.

FIG. 10 is a bottom plan view of the harness for supporting an electronic device in a closed position.

FIG. 11 is a right side view of the harness for supporting an electronic device in a closed position.

FIG. 12 is a left side view of the harness for supporting an electronic device in a closed position.

FIG. 13 is a front view of the harness for supporting an electronic device.

FIG. 14 is a rear view of the harness for supporting an electronic device.

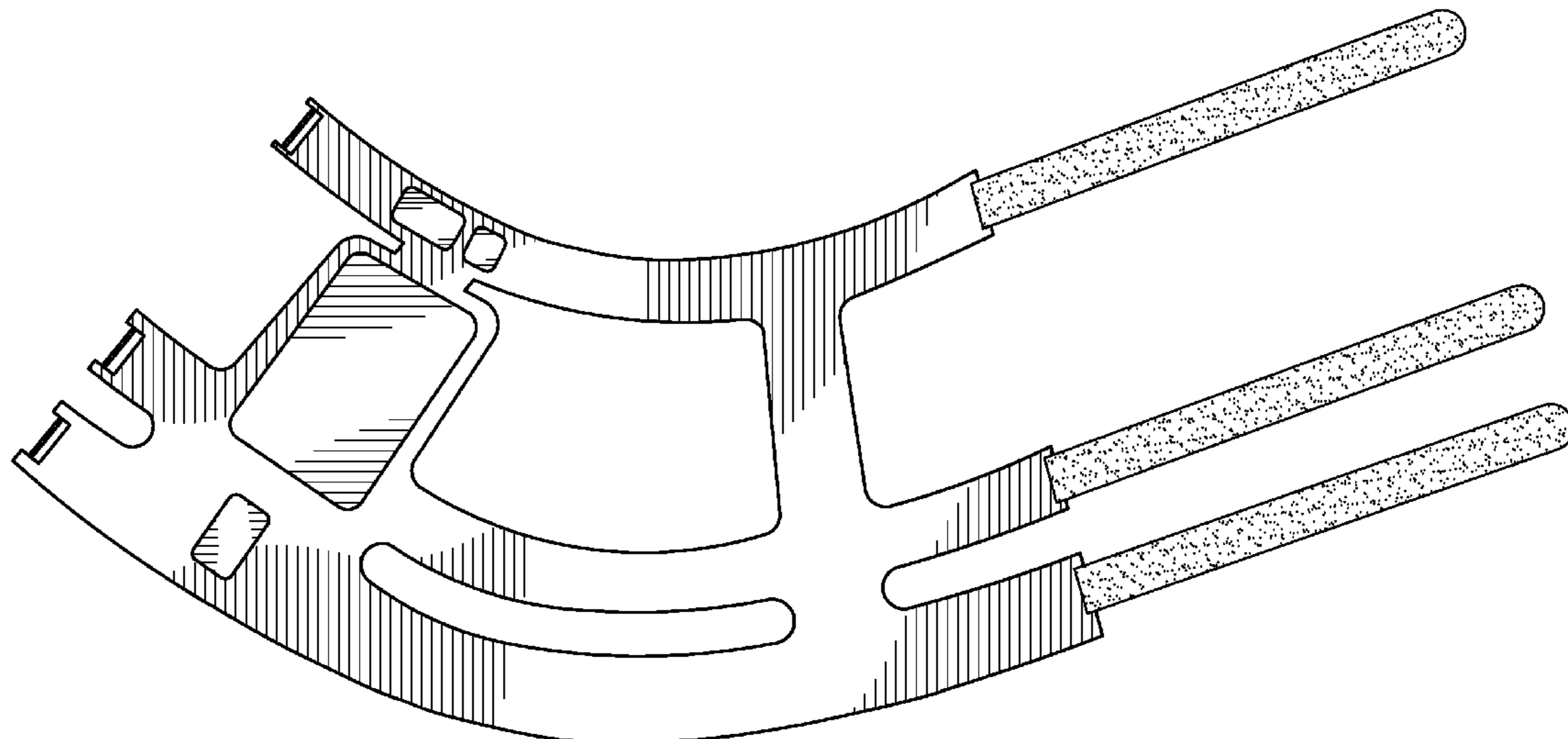
FIG. 15 is a side perspective view of the harness for supporting an electronic device in a closed position.

FIG. 16 is a side perspective view of the harness for supporting an electronic device in a closed position; and,

FIG. 17 shows the harness for supporting an electronic device in use.

The broken lines shown in FIG. 17 show environment and forms no part of the claimed design.

1 Claim, 15 Drawing Sheets



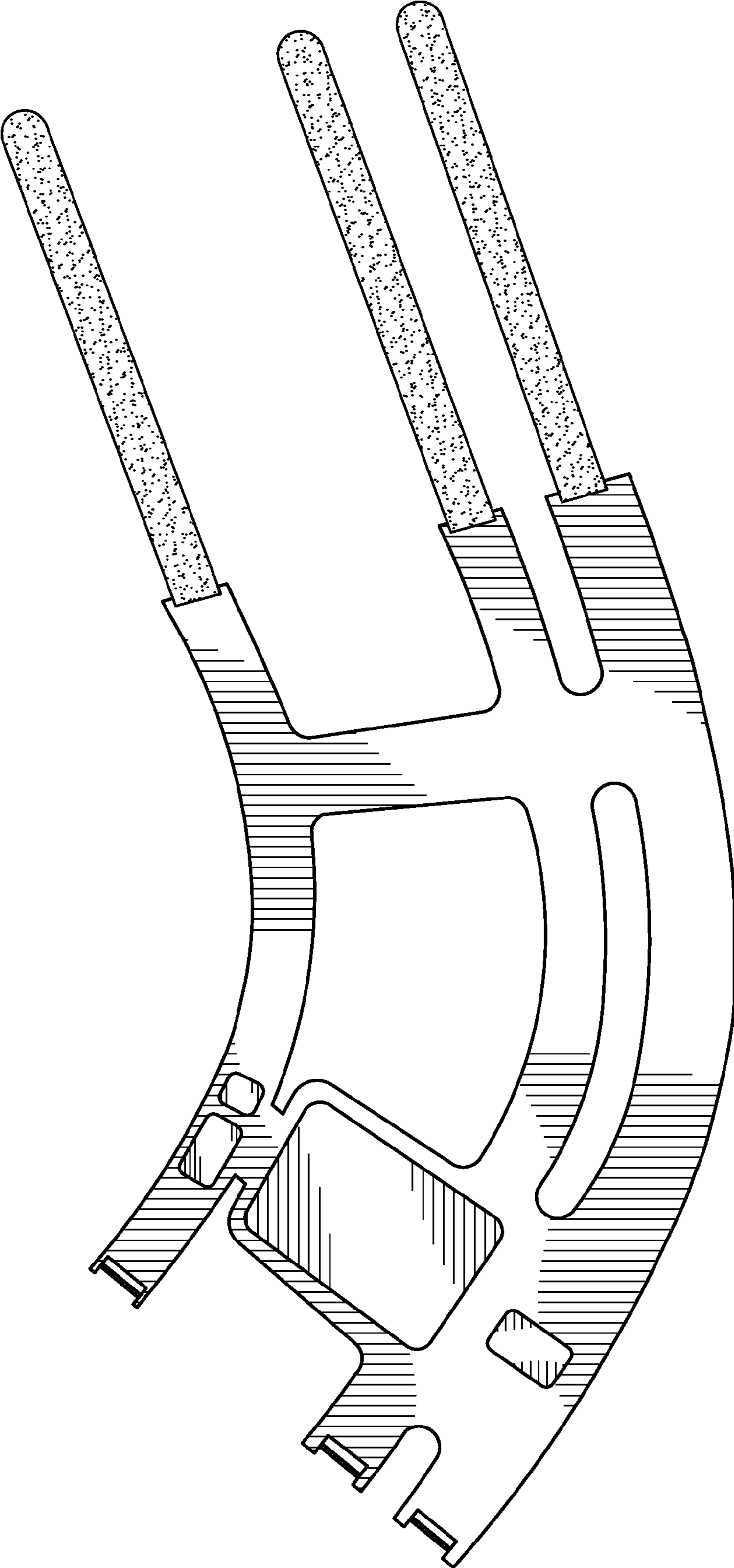


FIG. 1

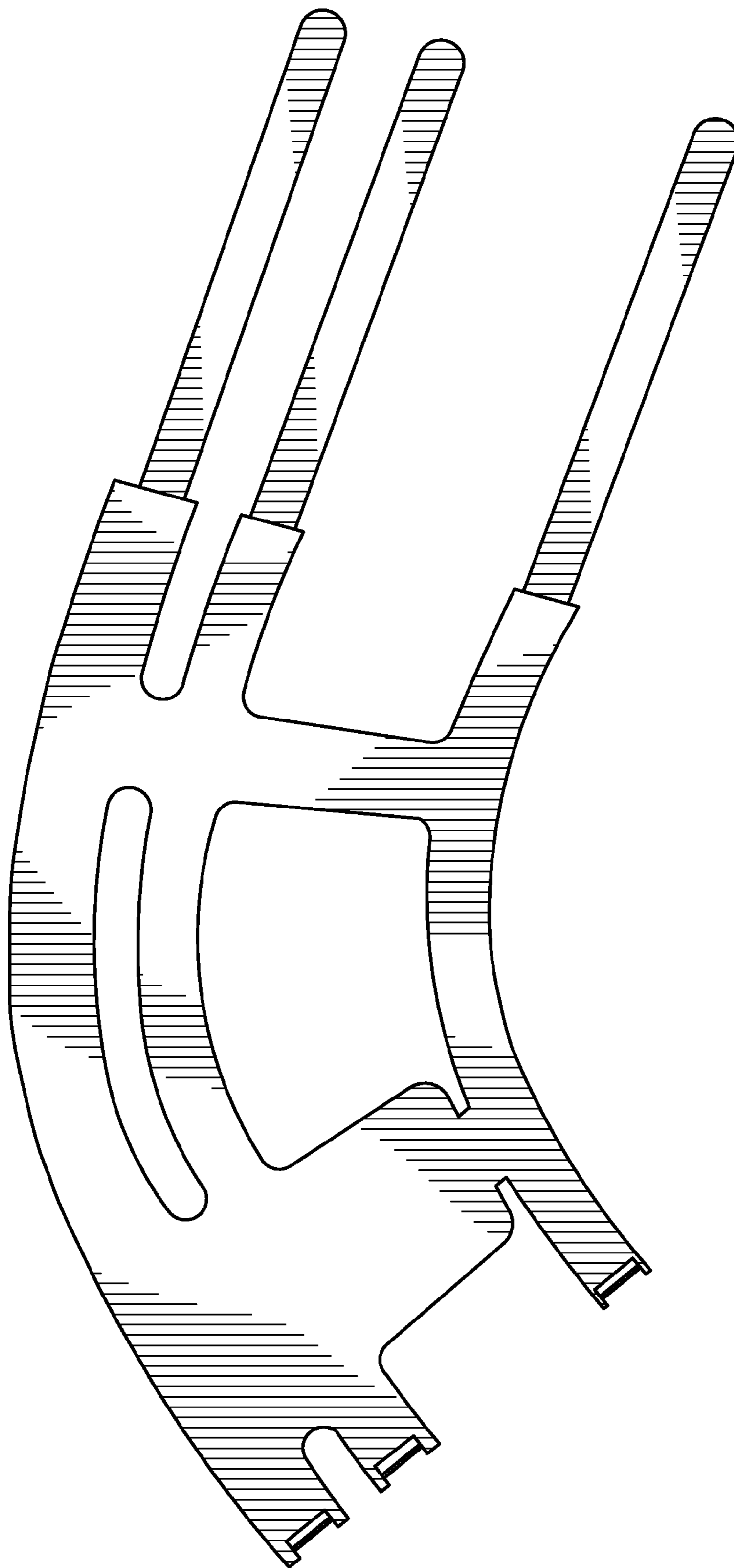


FIG. 2



FIG. 3



FIG. 4



FIG. 5

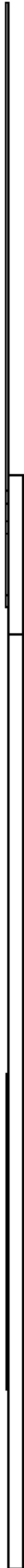


FIG. 6

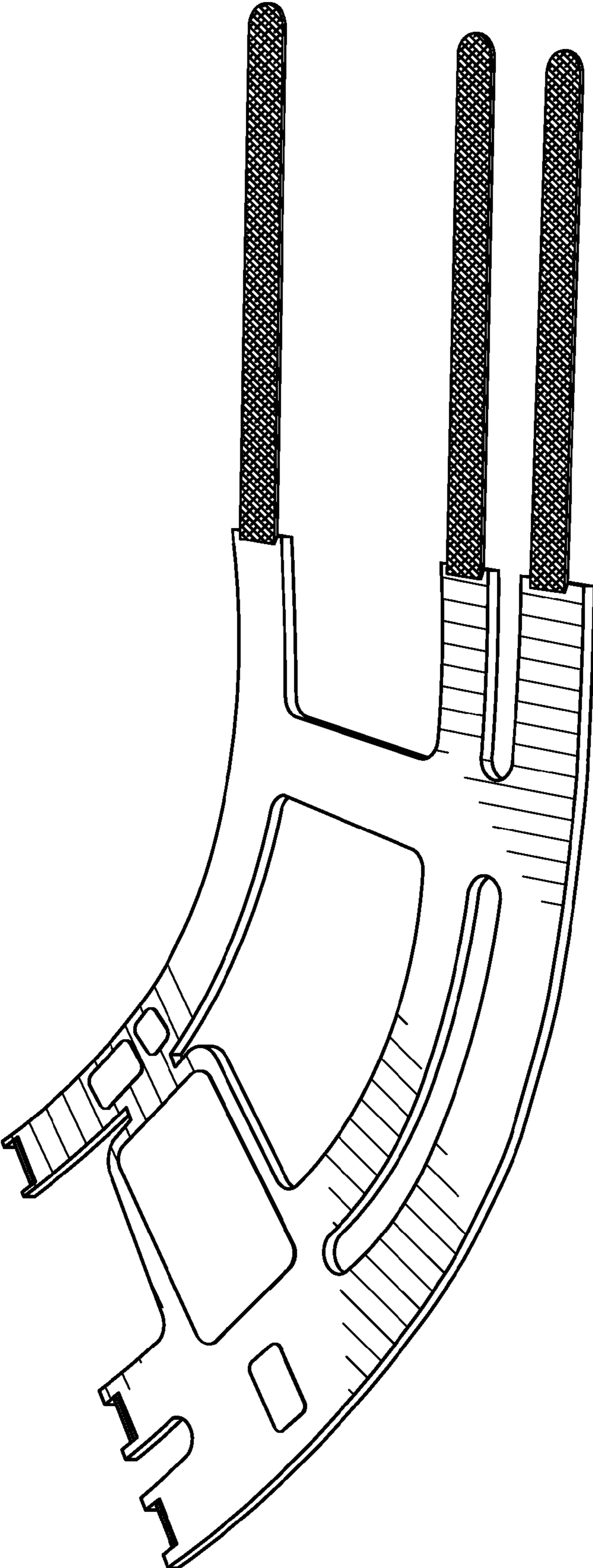


FIG. 7

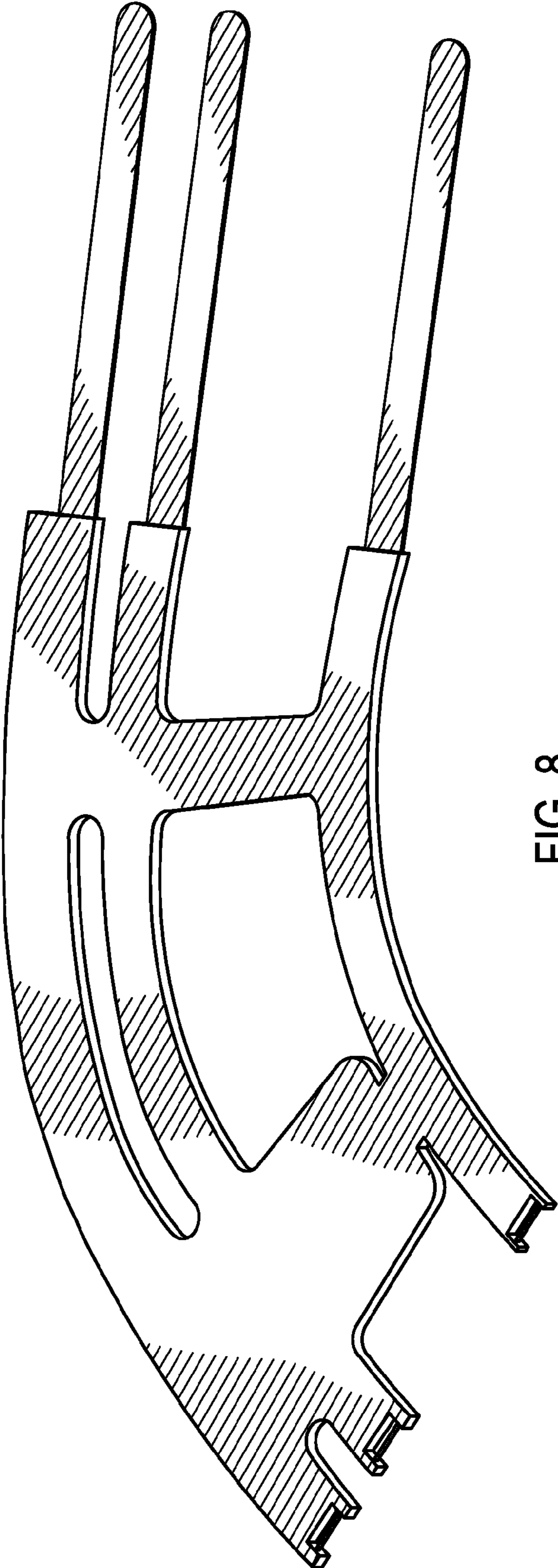


FIG. 8

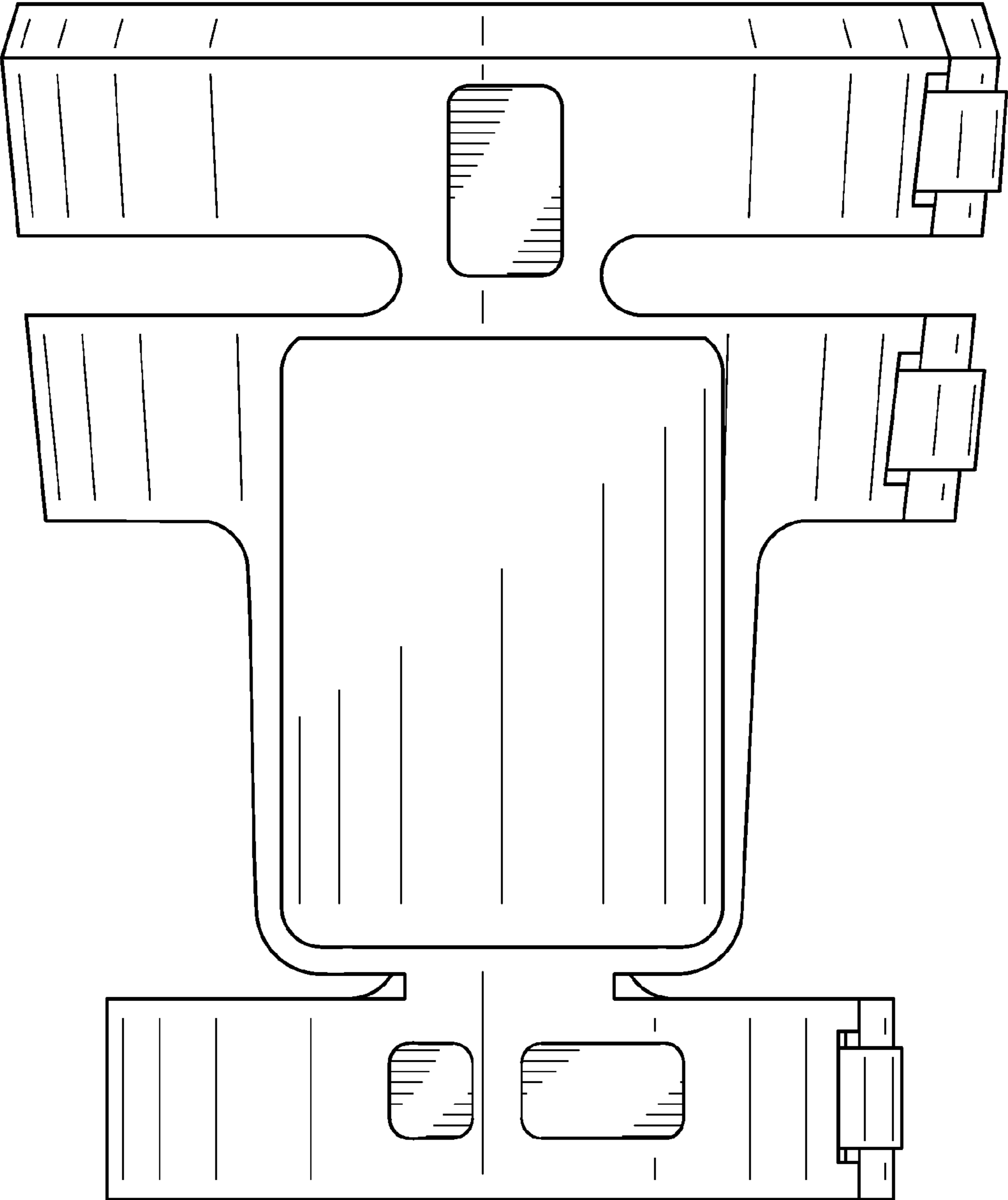


FIG. 9

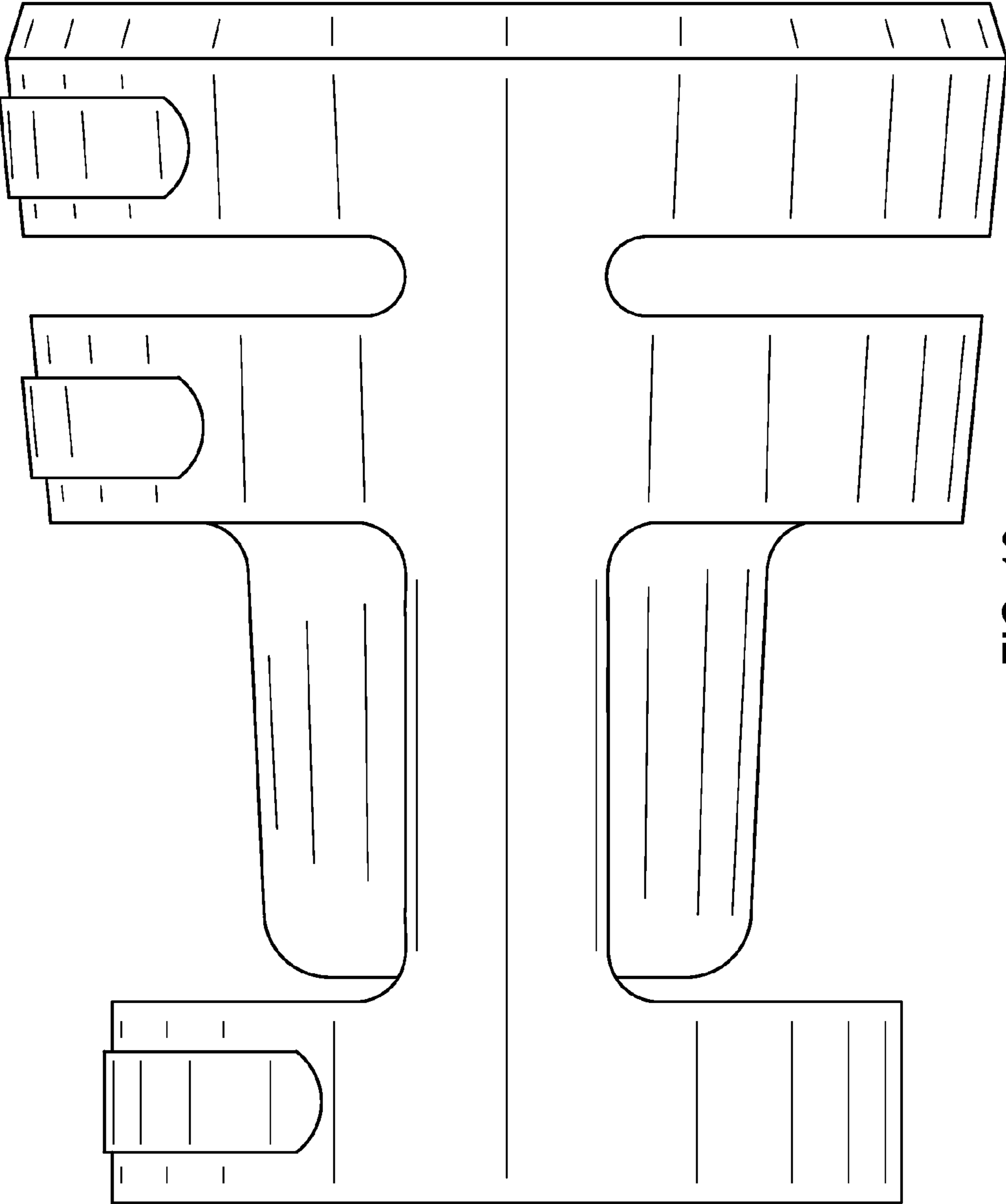


FIG. 10

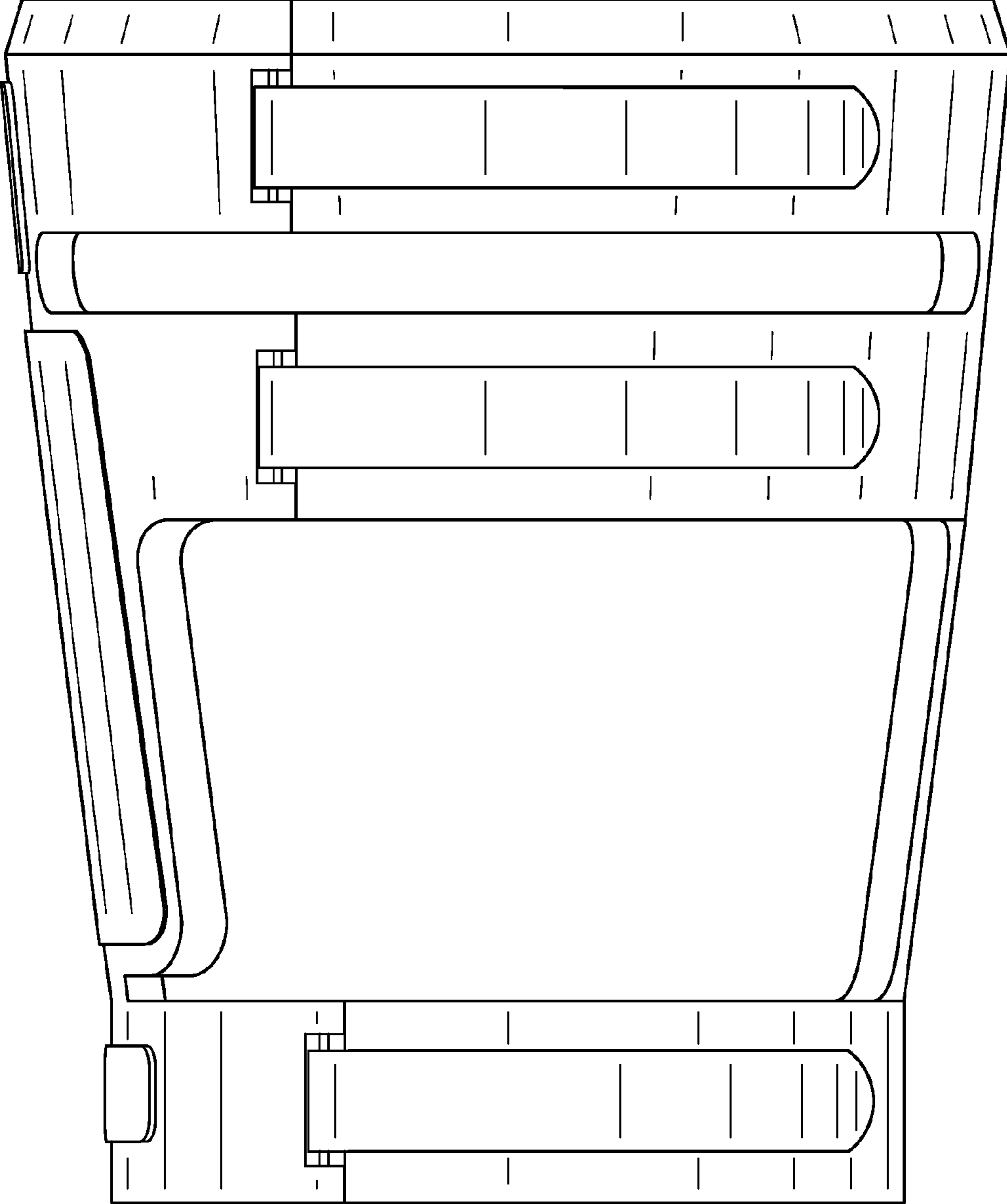


FIG. 11

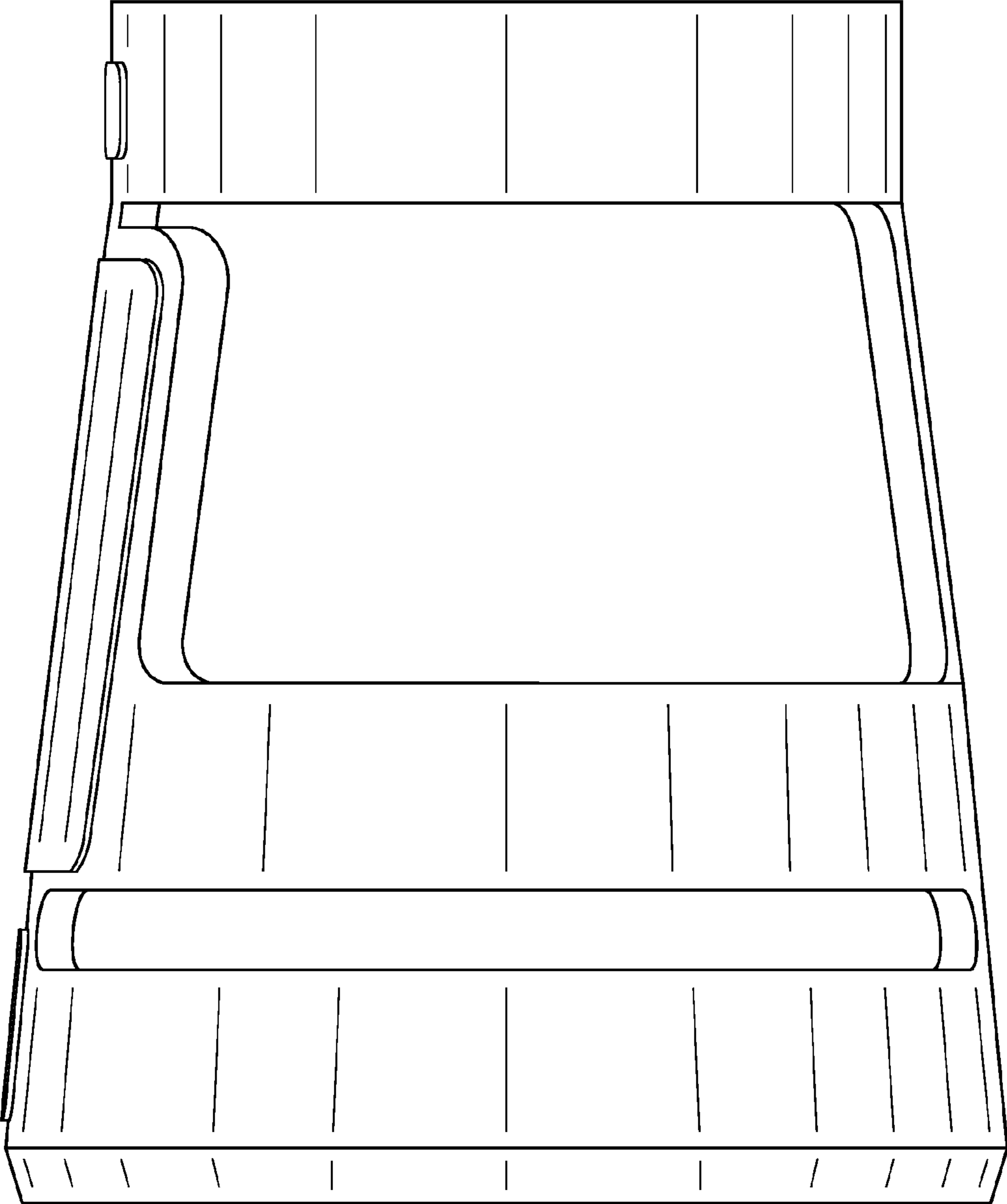


FIG. 12

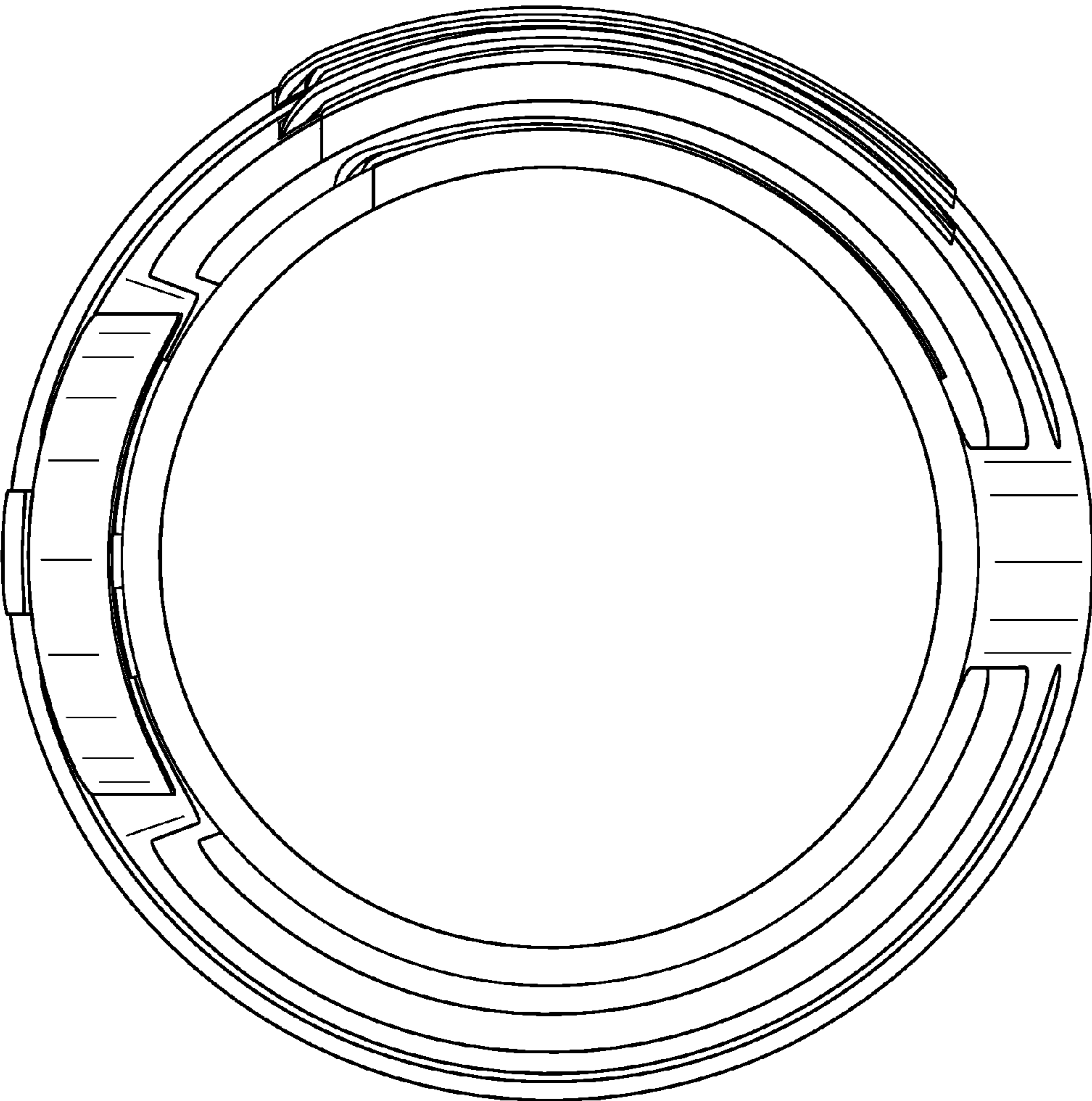


FIG. 13

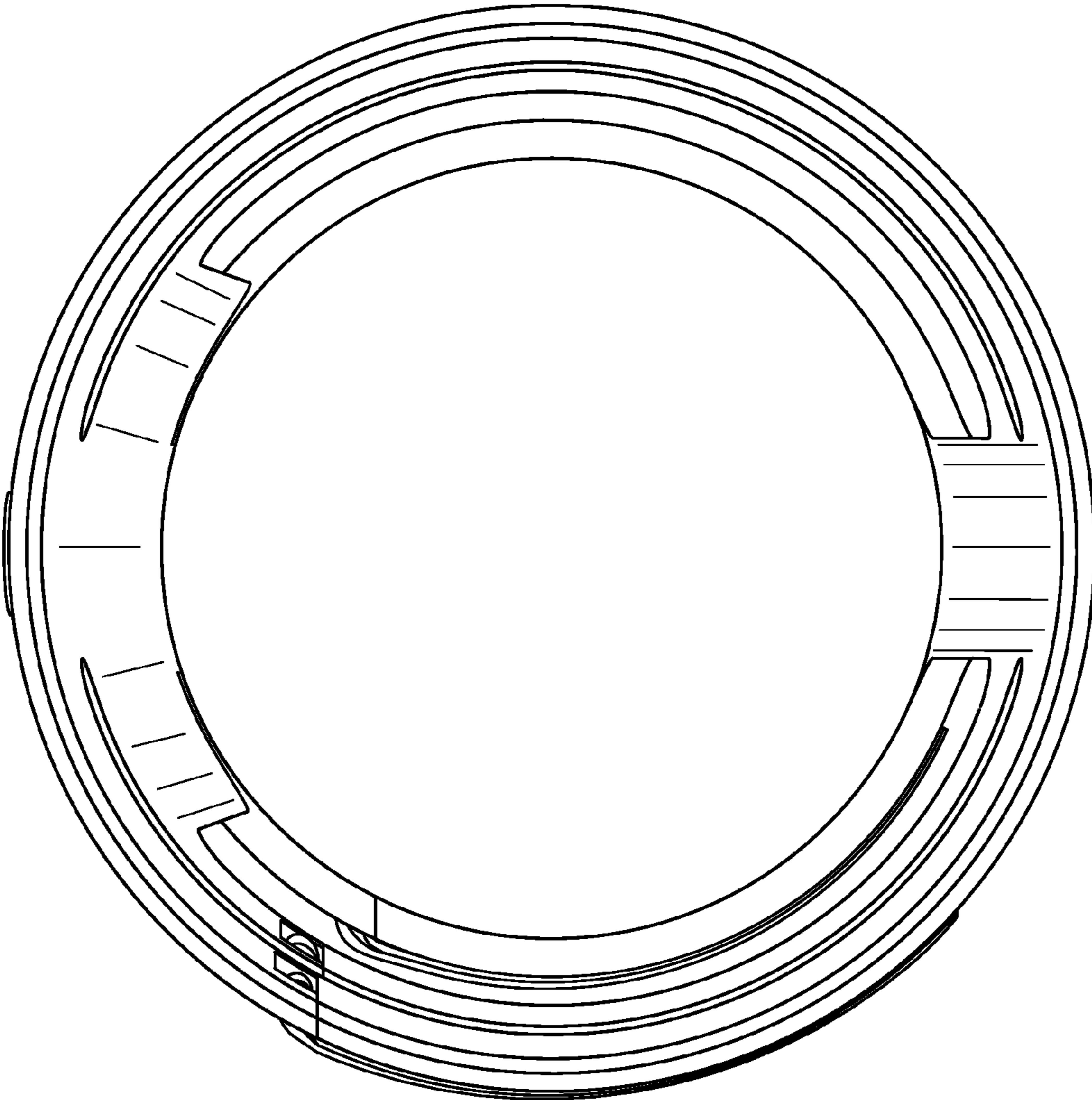


FIG. 14

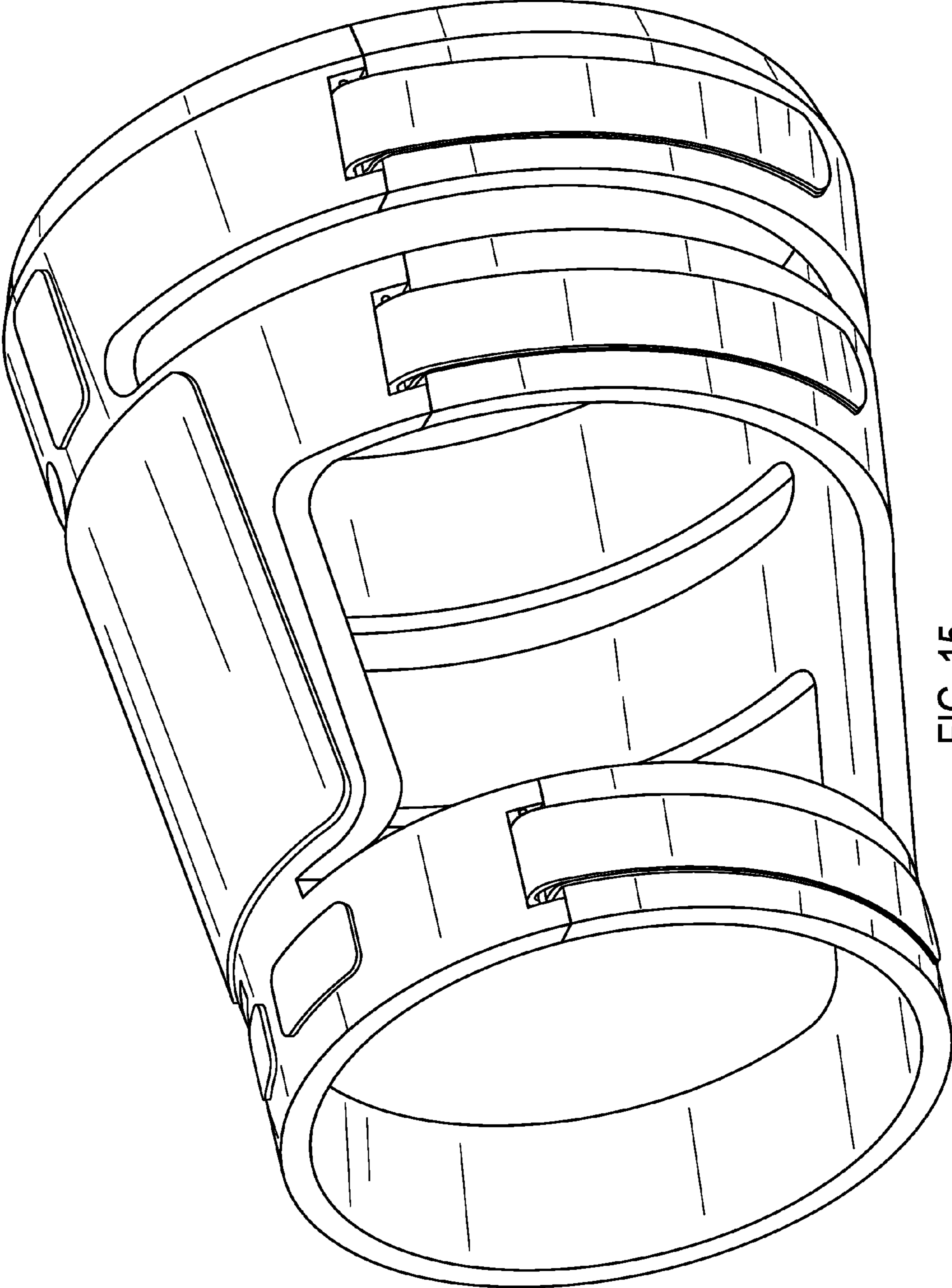


FIG. 15

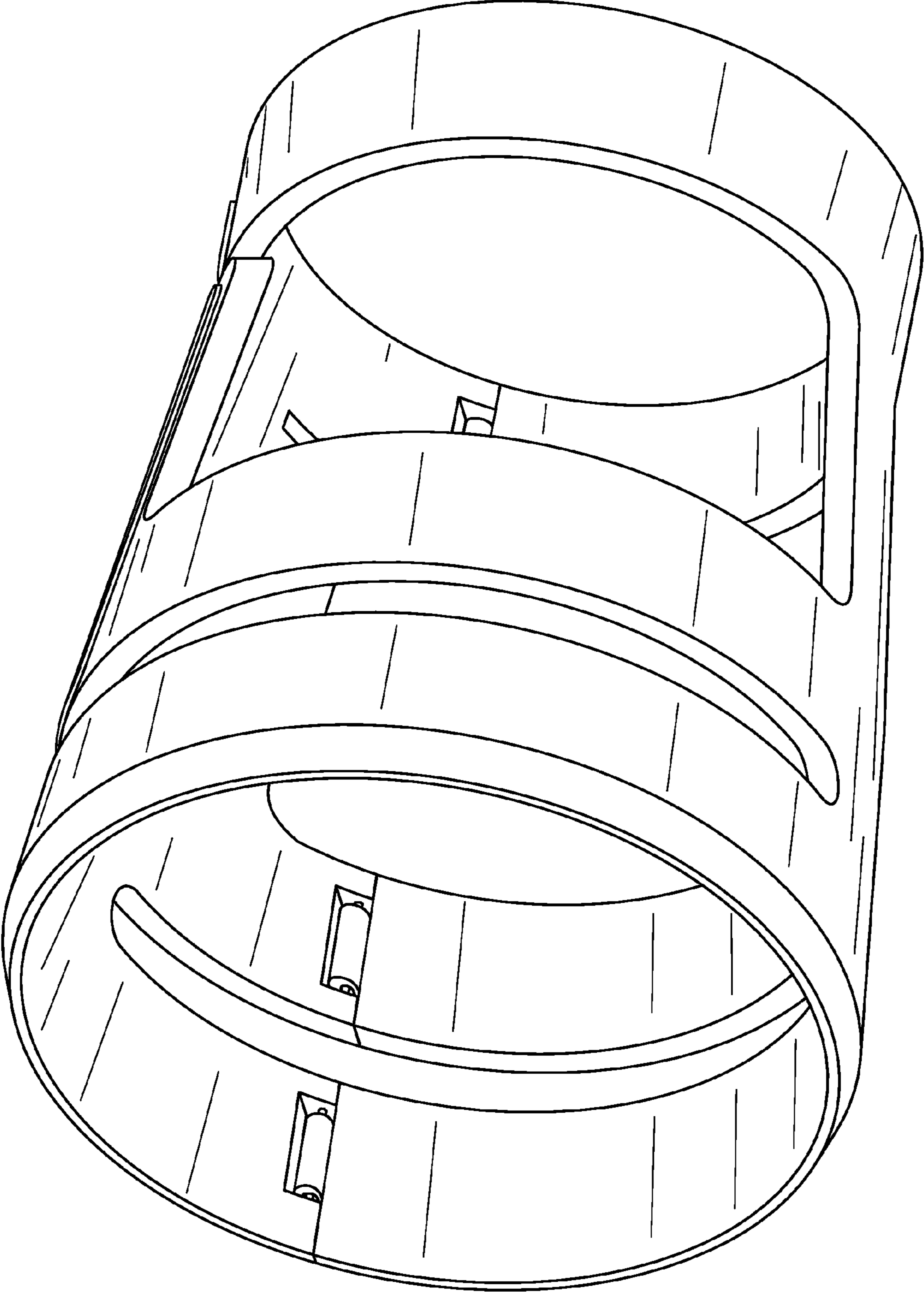


FIG. 16

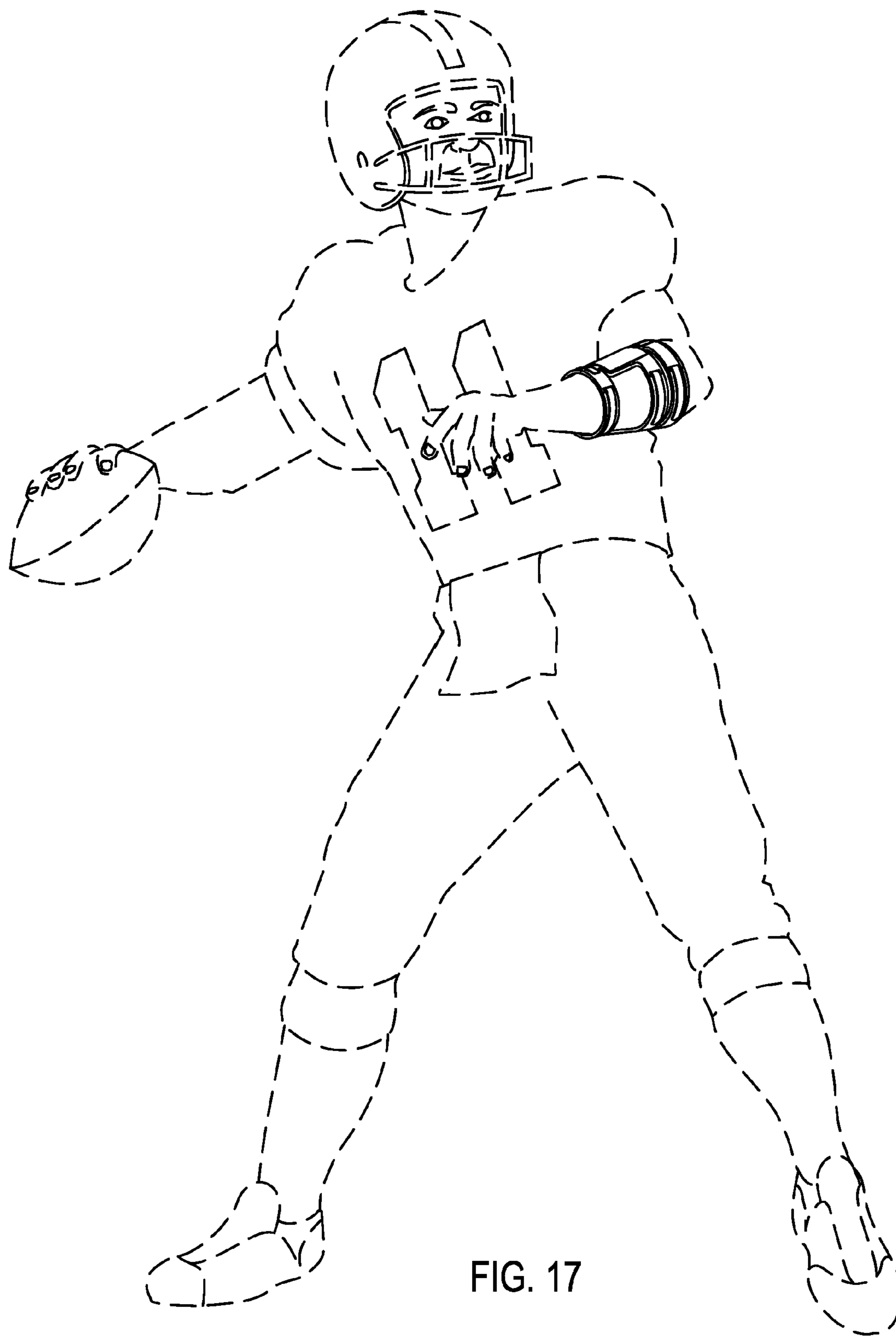


FIG. 17