



US00D654265S

(12) **United States Design Patent**
Roy

(10) **Patent No.:** **US D654,265 S**
(45) **Date of Patent:** **** Feb. 21, 2012**

(54) **ARM STRAP CARRIER FOR A MOBILE DEVICE**

D554,365 S 11/2007 Zhou
D628,375 S * 12/2010 Andre et al. D3/218
D642,792 S * 8/2011 Tremblay D3/218

(76) Inventor: **Tatiana A. Roy**, Carlsbad, CA (US)

* cited by examiner

(**) Term: **14 Years**

Primary Examiner — Catheri Oliver

(21) Appl. No.: **29/374,596**

(74) *Attorney, Agent, or Firm* — LambentIP; Akiko Kobayashi

(22) Filed: **Sep. 6, 2011**

(57) **CLAIM**

The ornamental design for an arm strap carrier for a mobile device, as shown and described.

(51) **LOC (9) Cl.** **03-01**

DESCRIPTION

(52) **U.S. Cl.** **D3/218**

(58) **Field of Classification Search** D3/218,
D3/215, 201, 219, 230, 224, 226, 228; 224/219,
224/222, 267, 269, 236, 575, 673, 930, 587;
455/575.1–575.8; 206/305, 320; D2/625–627
See application file for complete search history.

FIG. 1 is a perspective view of an arm strap carrier for a mobile device, showing a first embodiment of my design; FIG. 2 is a front view thereof; FIG. 3 is a rear view thereof; FIG. 4 is a top plan view thereof; FIG. 5 is a bottom plan view thereof; FIG. 6 is a left side view thereof; FIG. 7 is a right side view thereof; FIG. 8 is a perspective view of an arm strap carrier for a mobile device, showing a second embodiment of my design; FIG. 9 is a front view thereof; FIG. 10 is a rear view thereof; FIG. 11 is a top plan view thereof; FIG. 12 is a bottom plan view thereof; FIG. 13 is a left side view thereof; and, FIG. 14 is a right side view thereof.

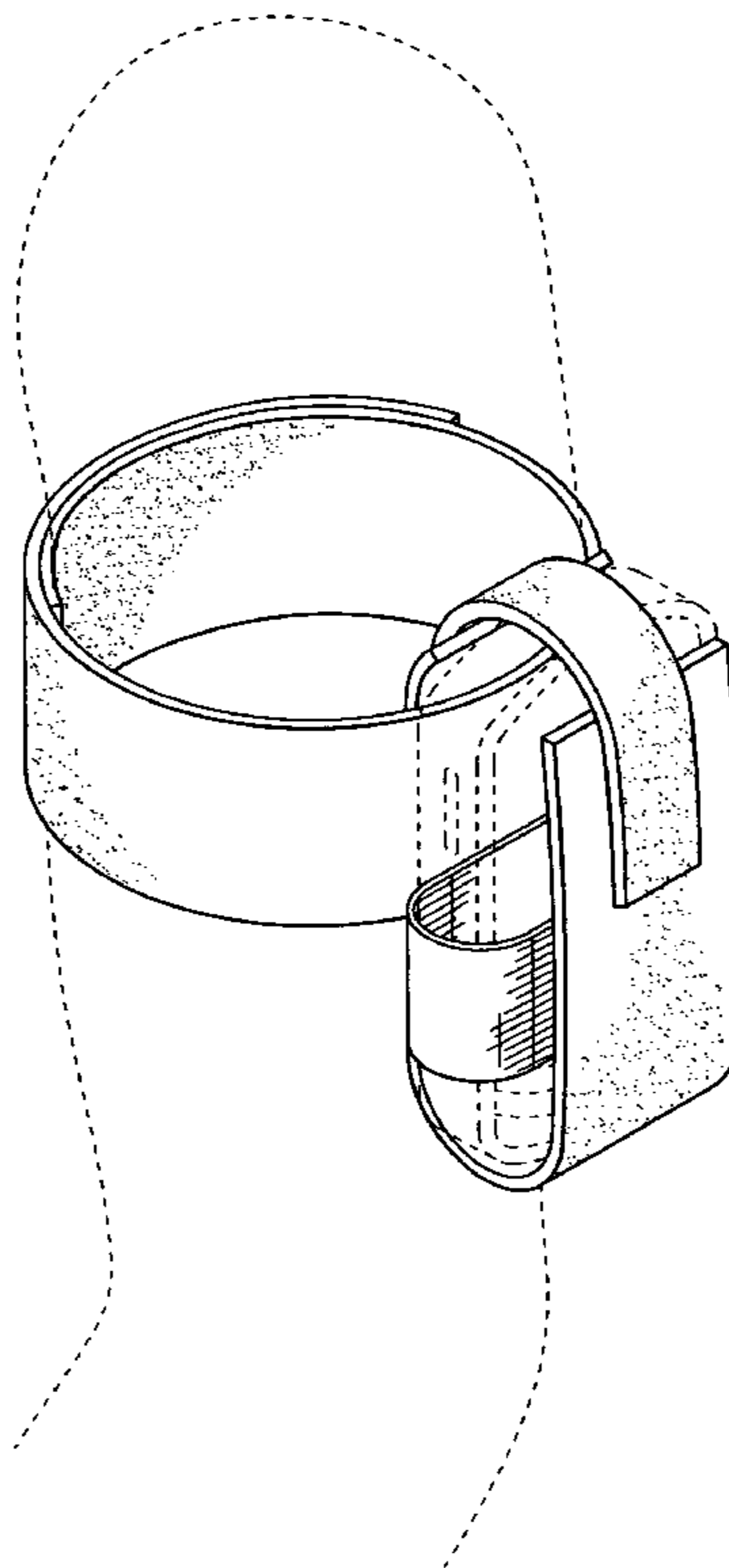
(56) **References Cited**

U.S. PATENT DOCUMENTS

4,135,653	A *	1/1979	Sieloff	224/222
4,620,653	A *	11/1986	Farrell	224/242
D302,075	S *	7/1989	Burger	D3/218
4,913,326	A *	4/1990	Echelson	224/222
D382,995	S	9/1997	Hale	
D418,973	S *	1/2000	Epstein	D3/218
6,112,961	A *	9/2000	Phillips	224/222
6,568,576	B1	5/2003	Godshaw et al.	
D495,873	S	9/2004	Badillo et al.	
D529,280	S *	10/2006	Krieger et al.	D3/218
D537,623	S	3/2007	Dennis et al.	

The broken line showing is for illustrative purpose only and forms no part of the claimed design.

1 Claim, 8 Drawing Sheets



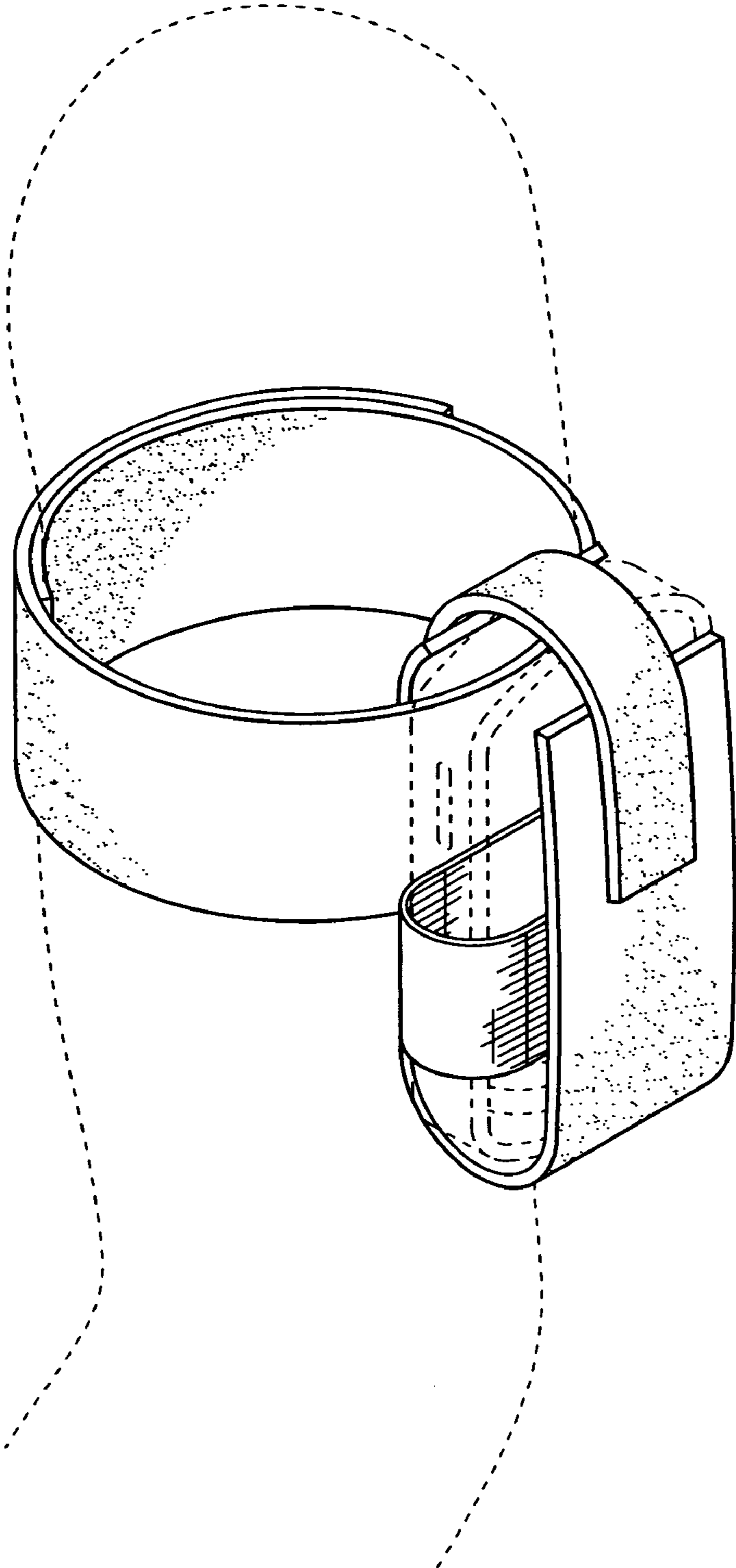


Fig. 1

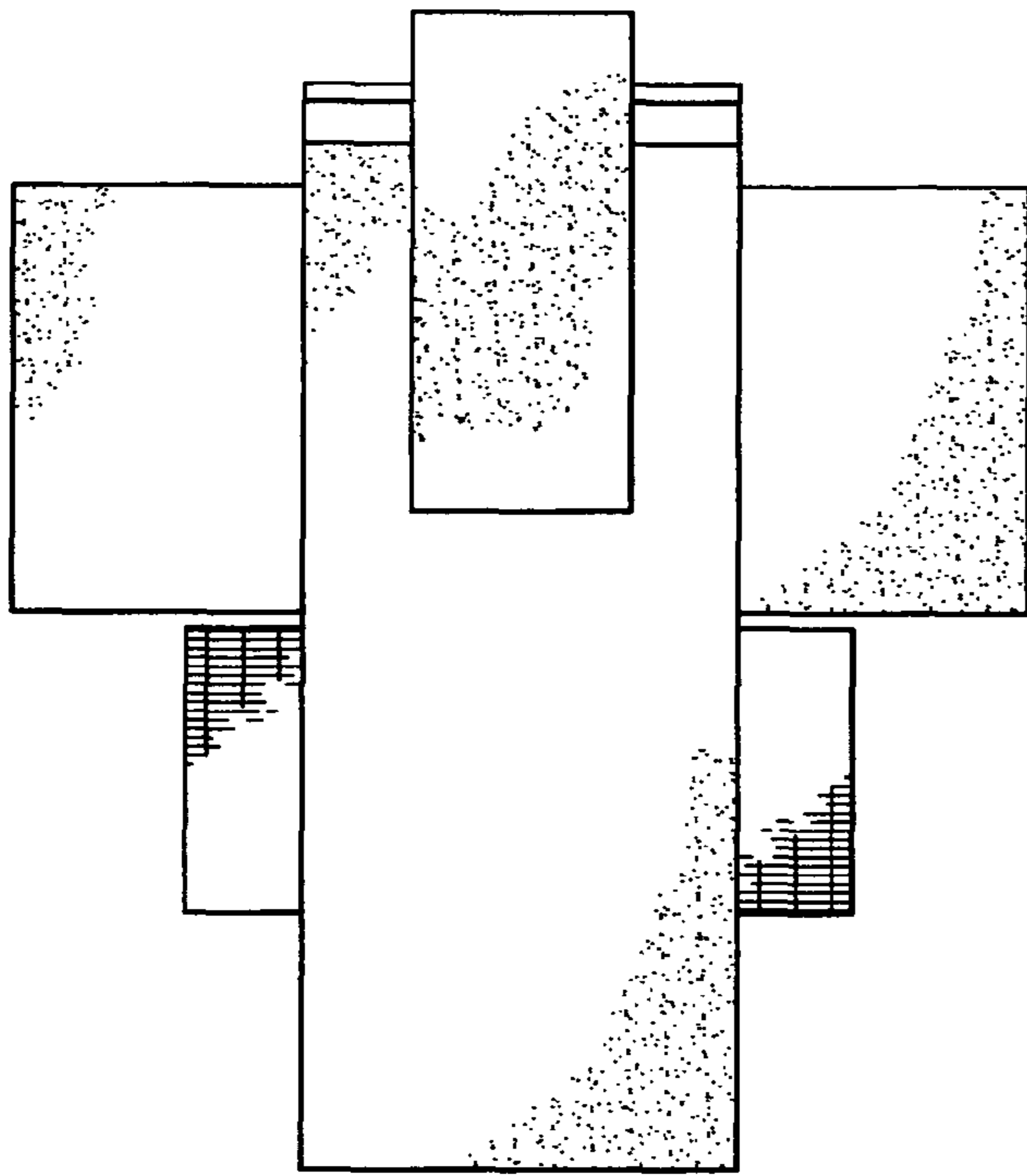


Fig. 2

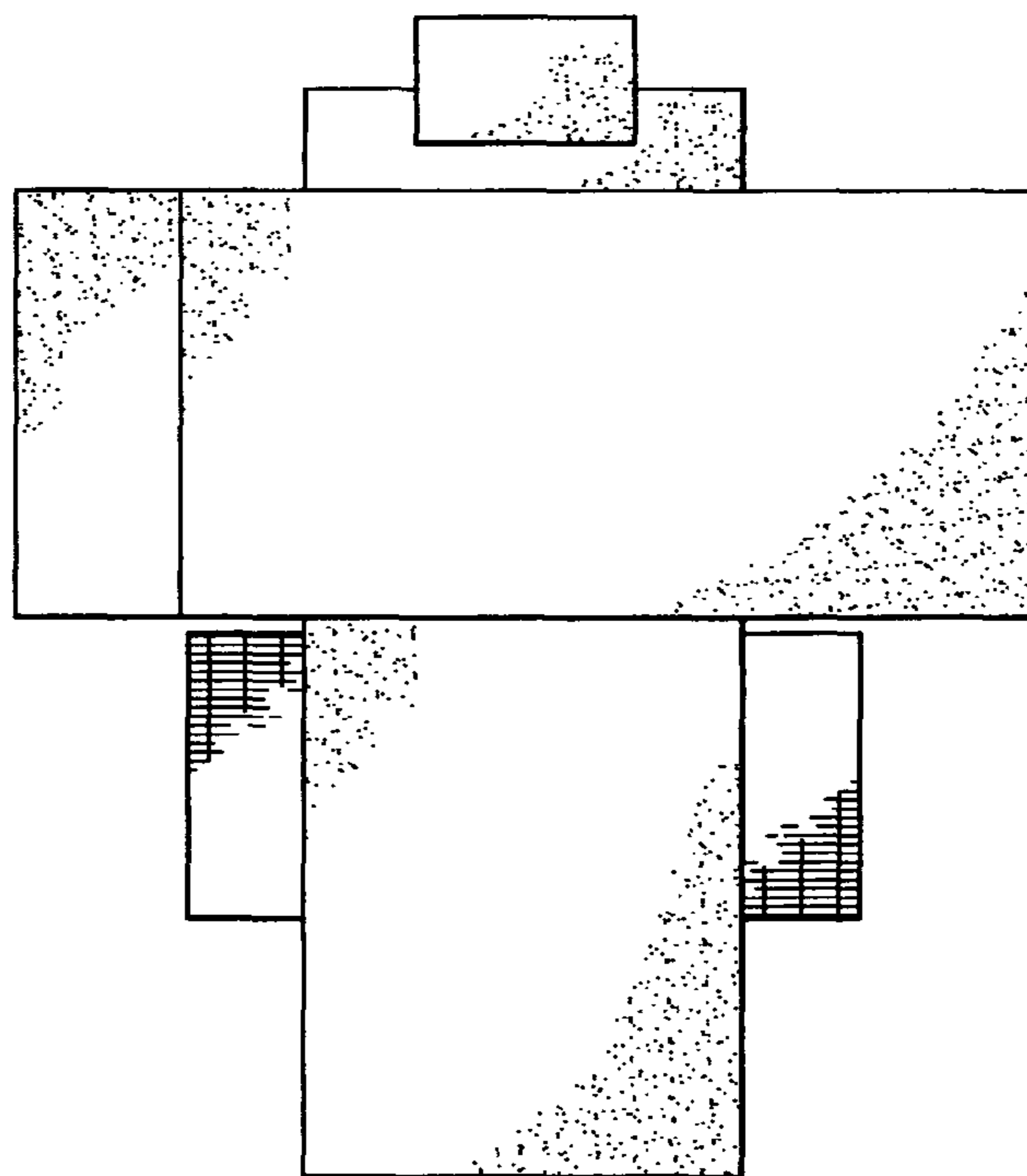


Fig. 3

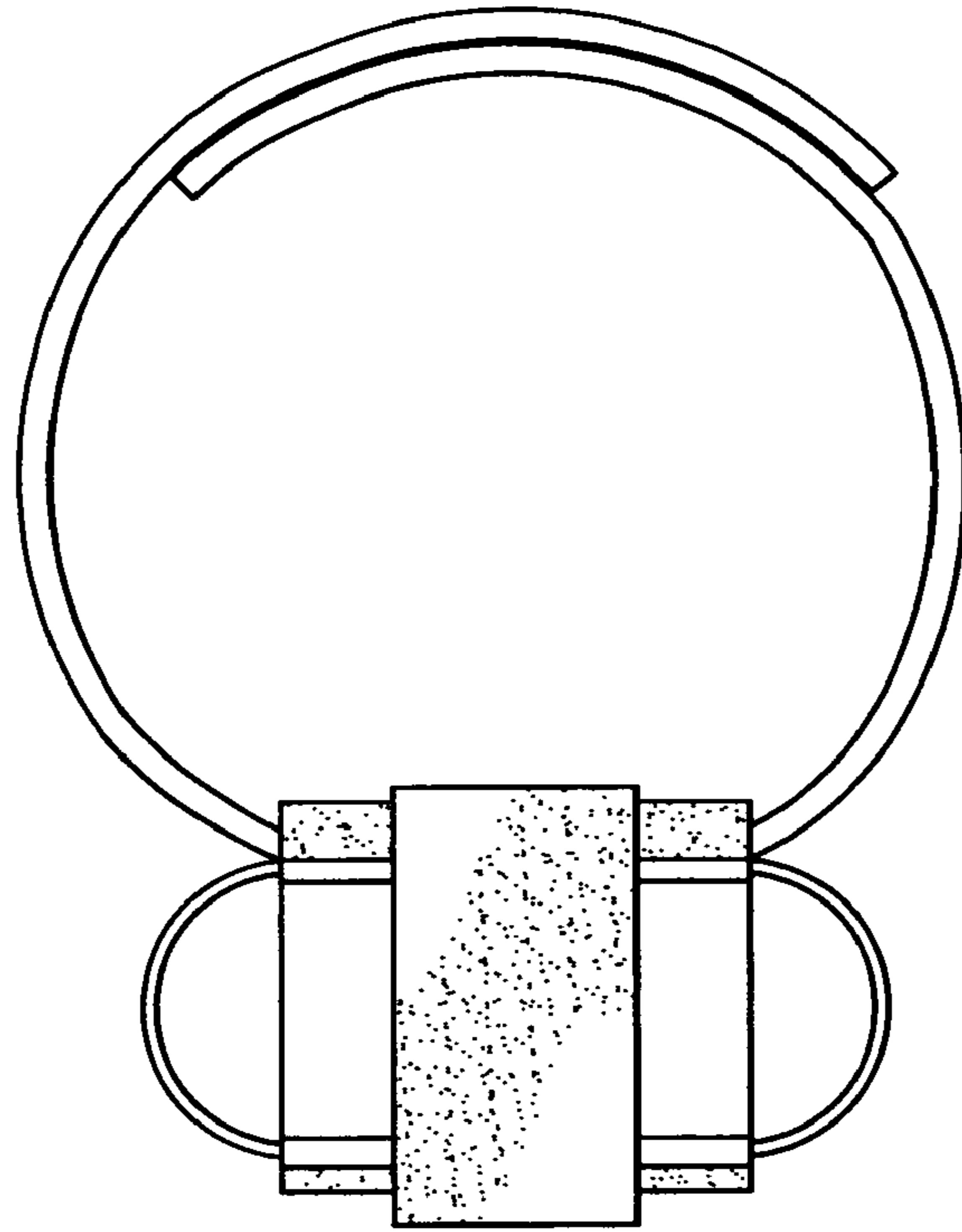


Fig. 4

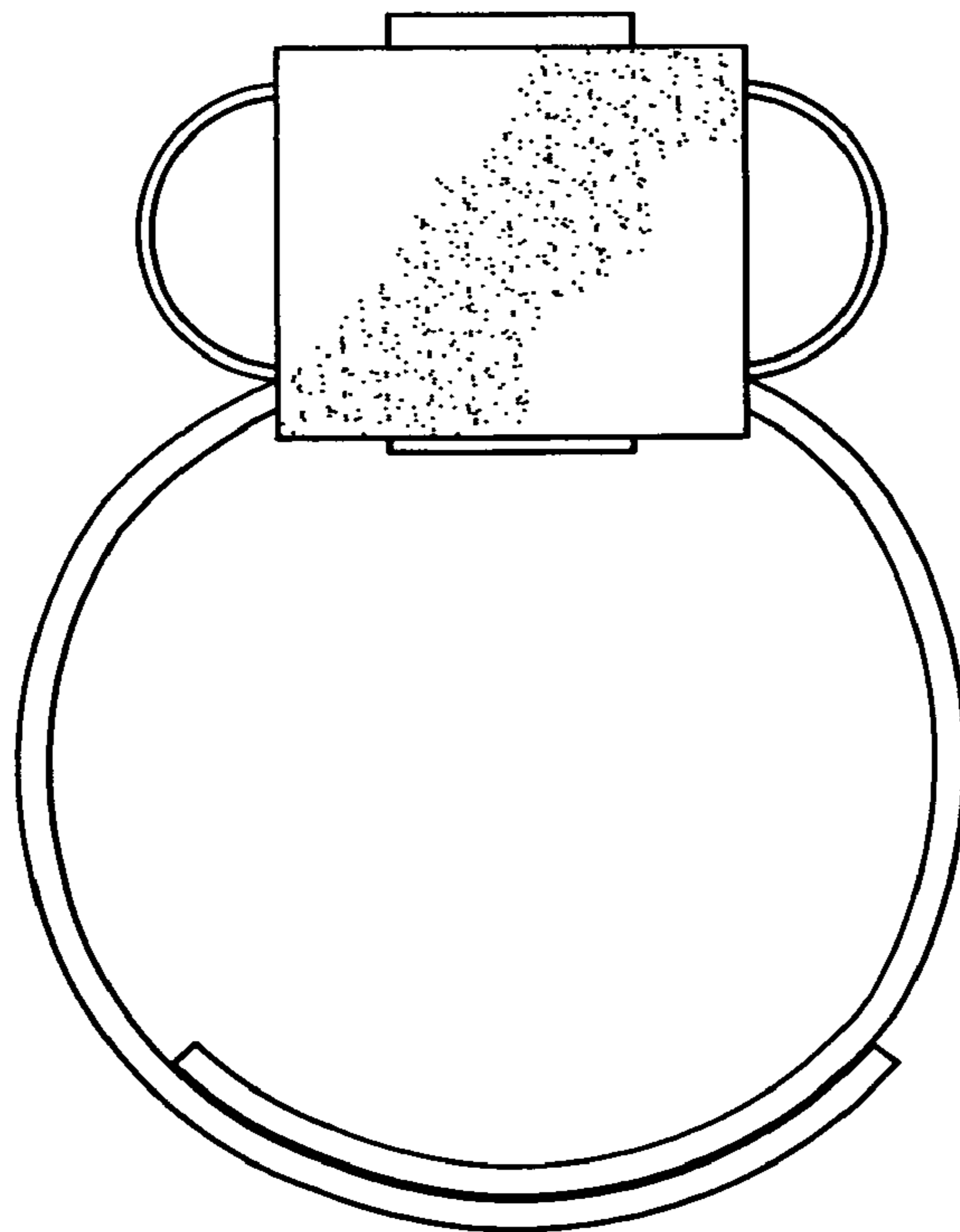


Fig. 5

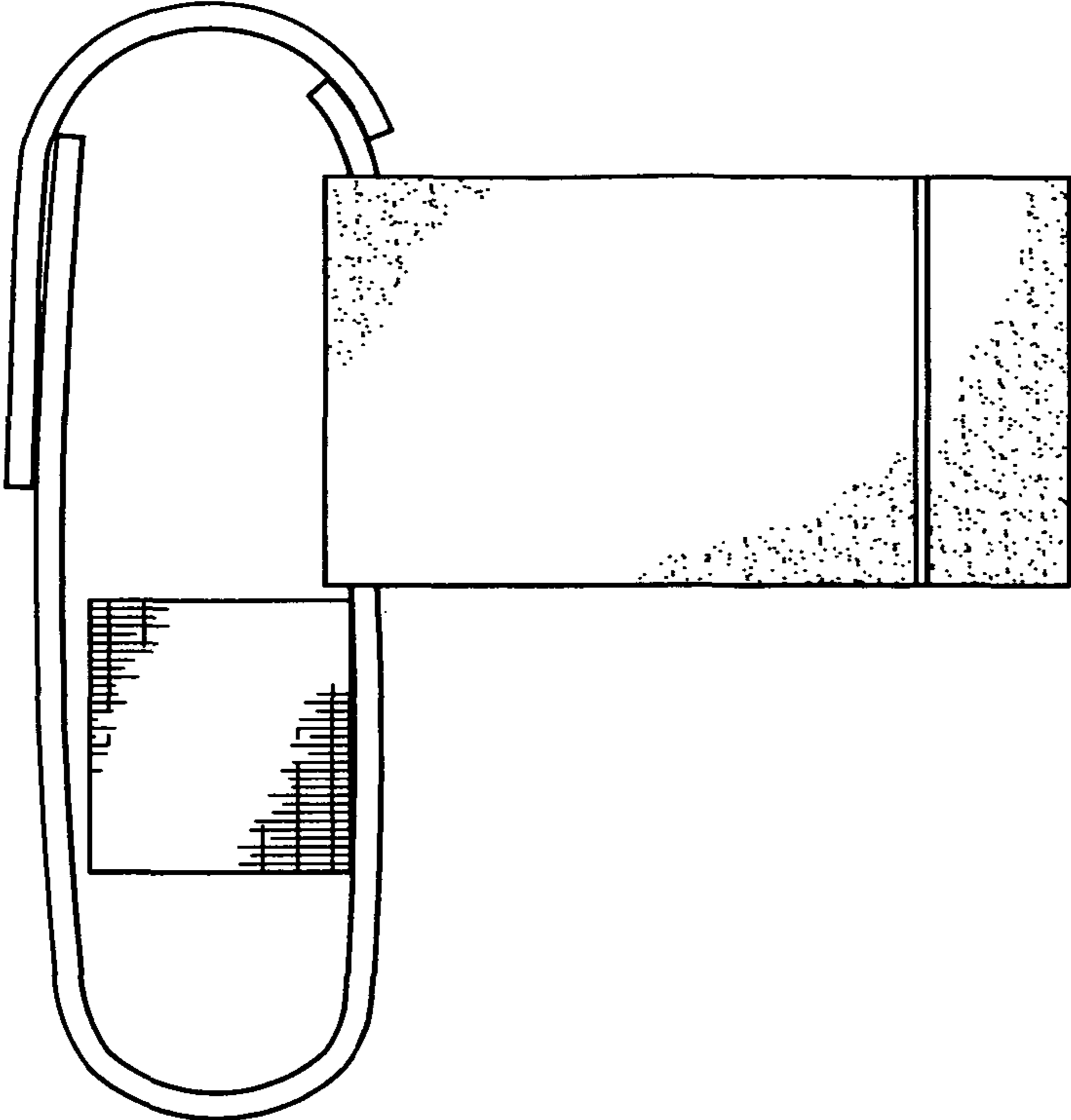


Fig. 6

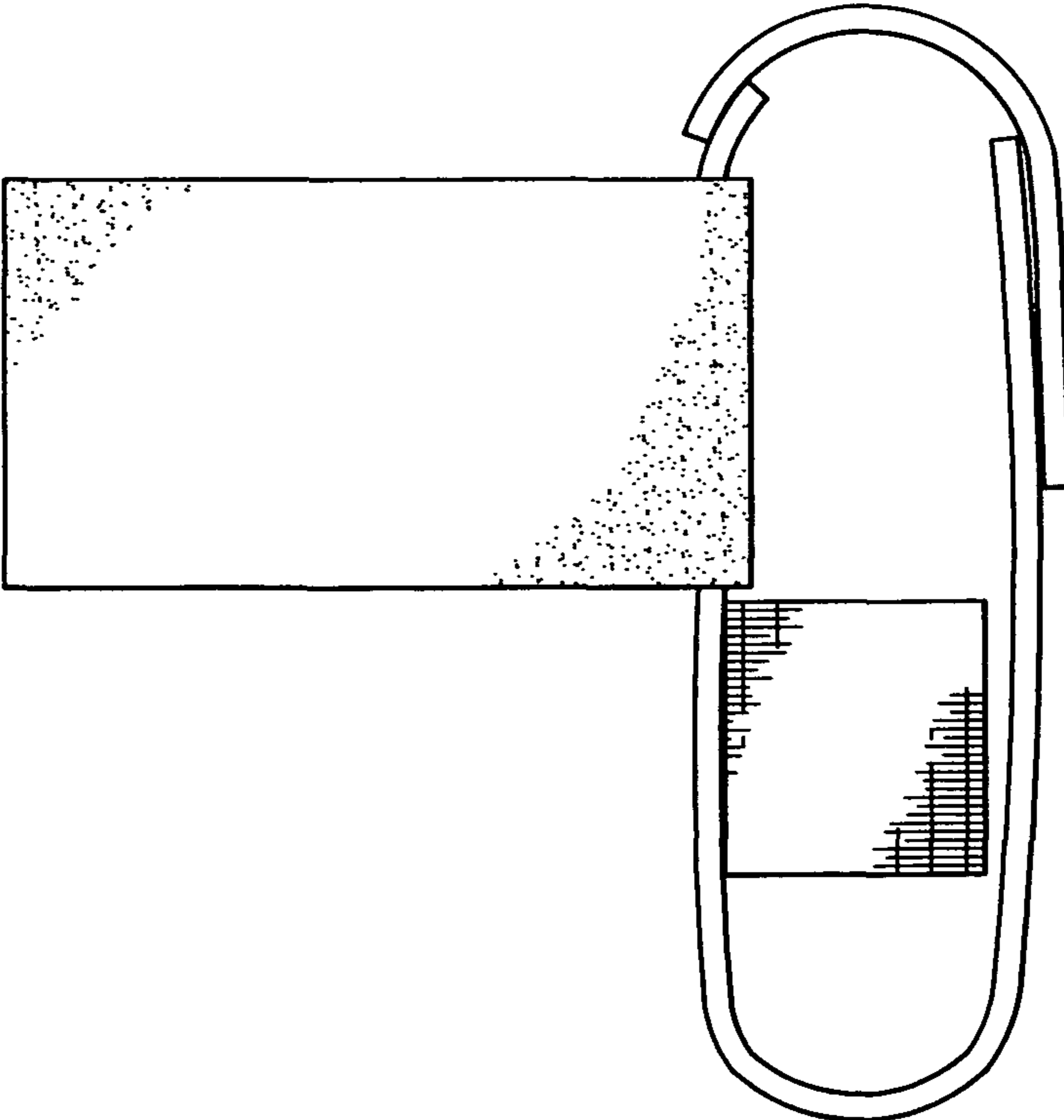


Fig. 7

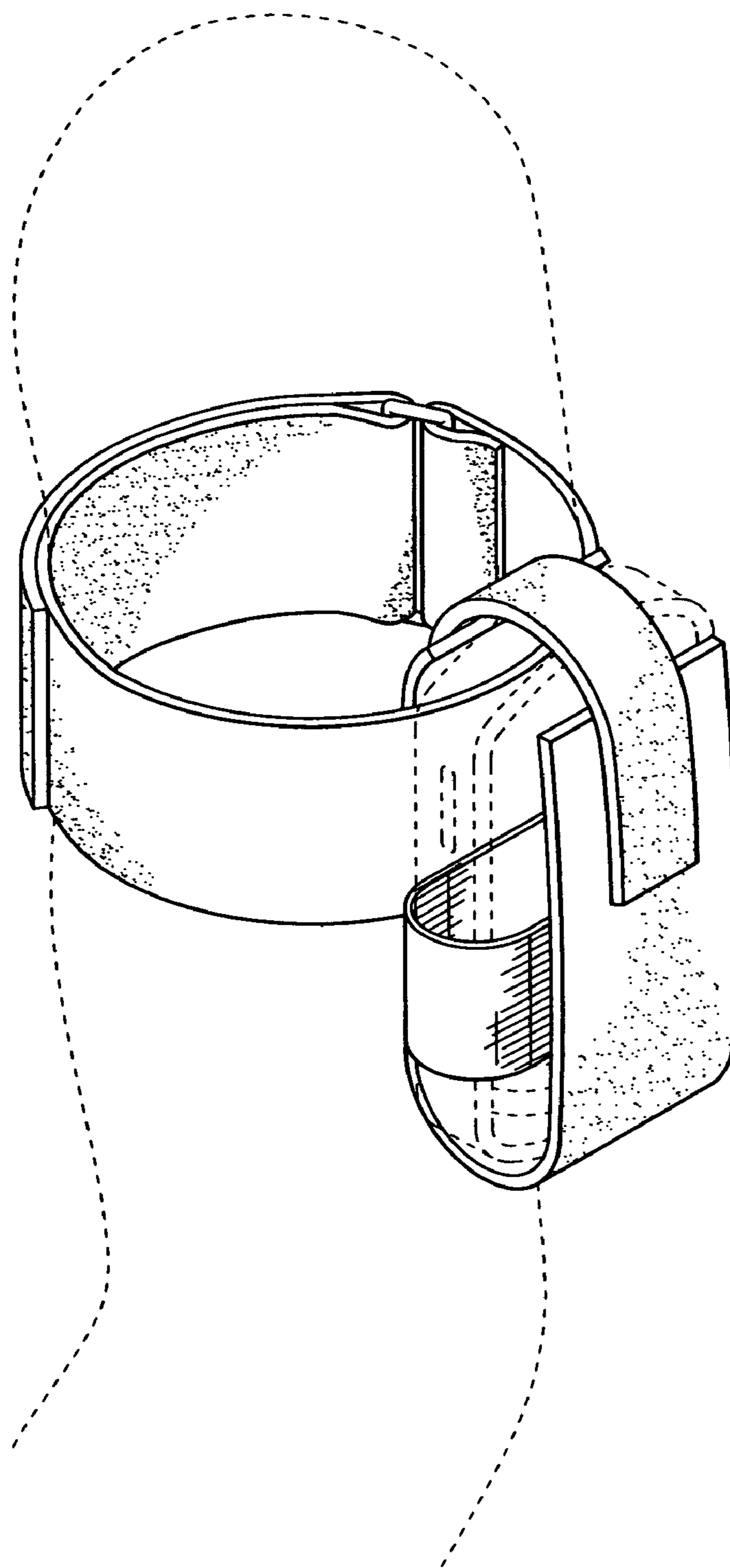


Fig. 8

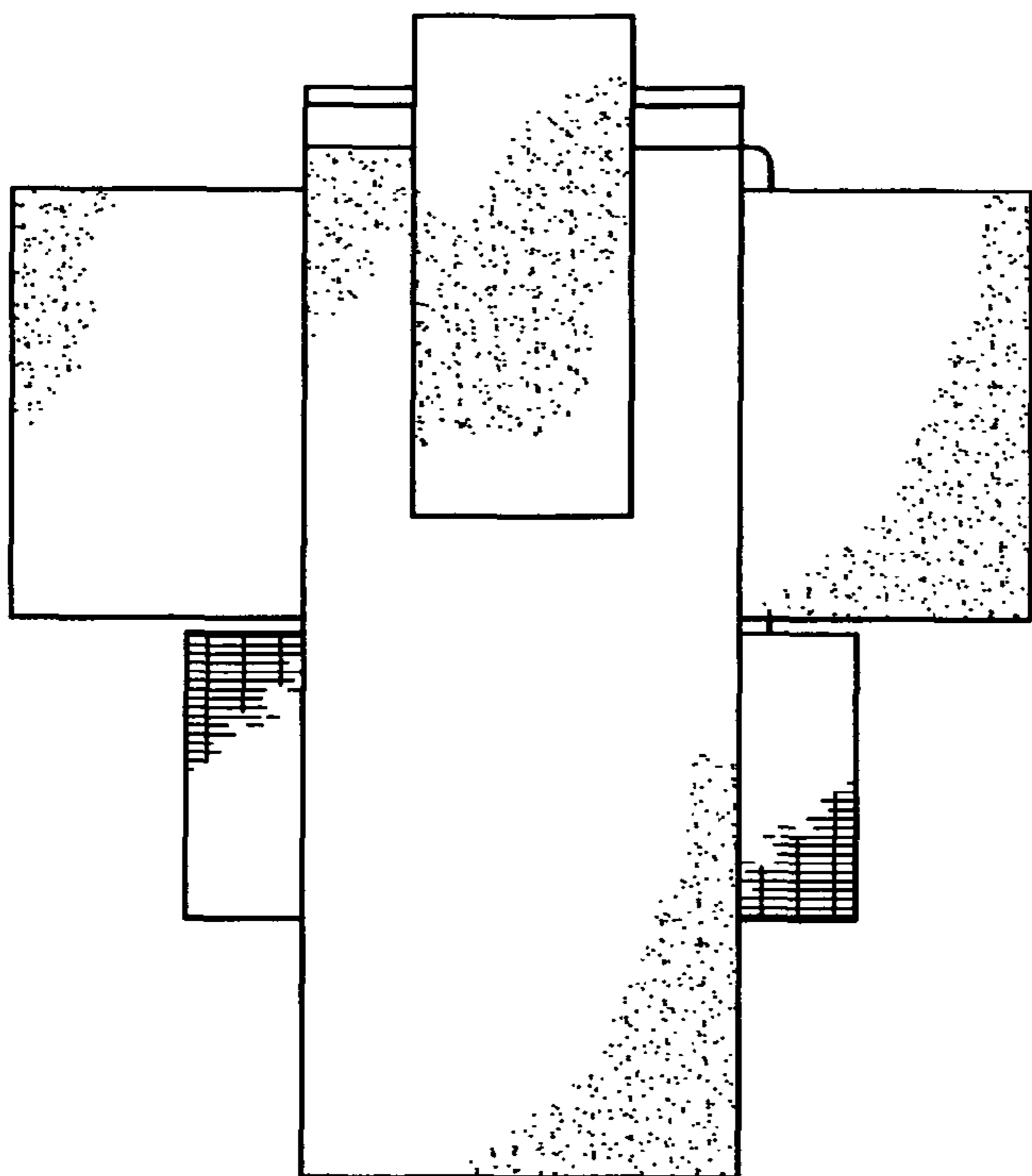


Fig. 9

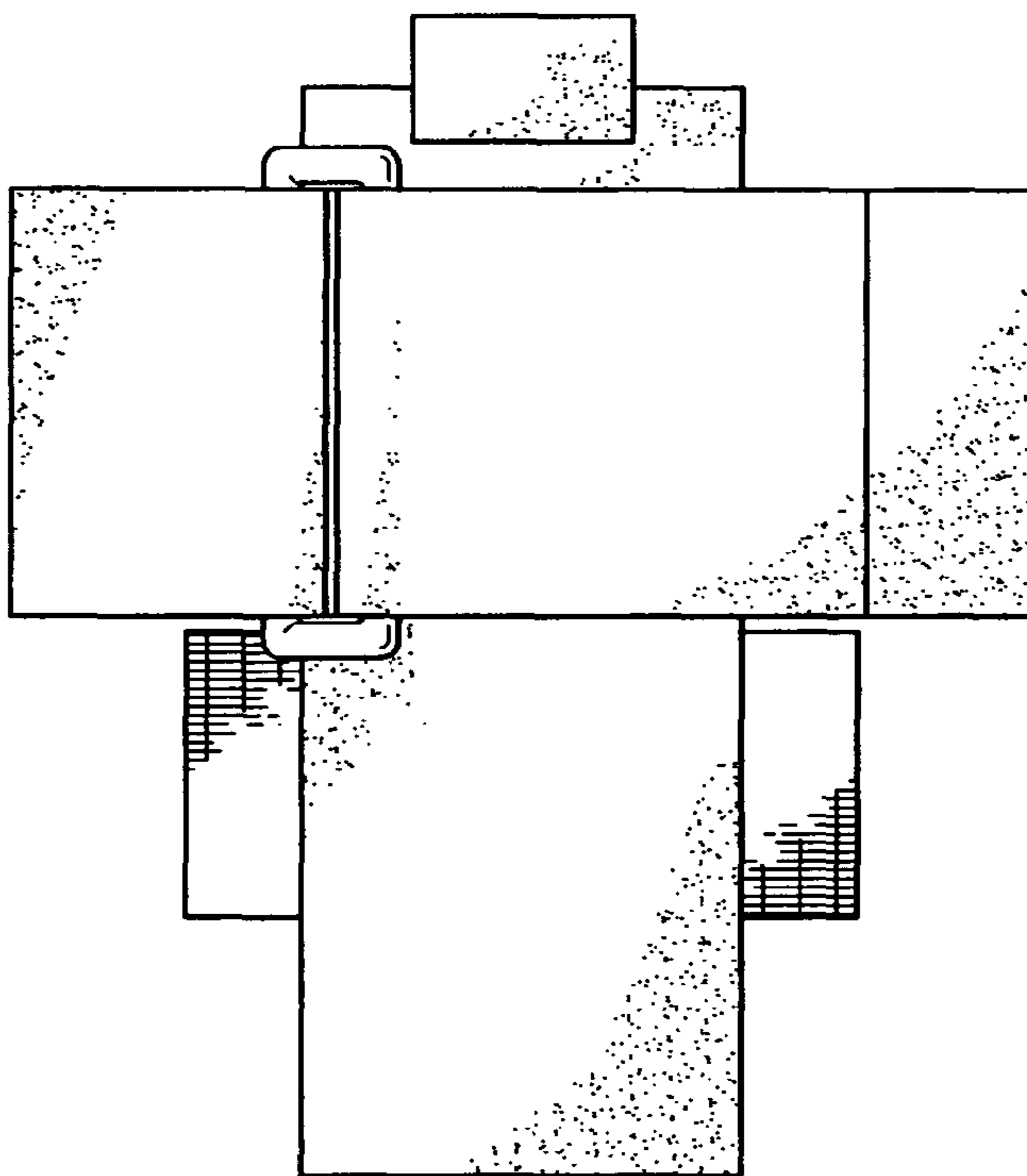


Fig. 10

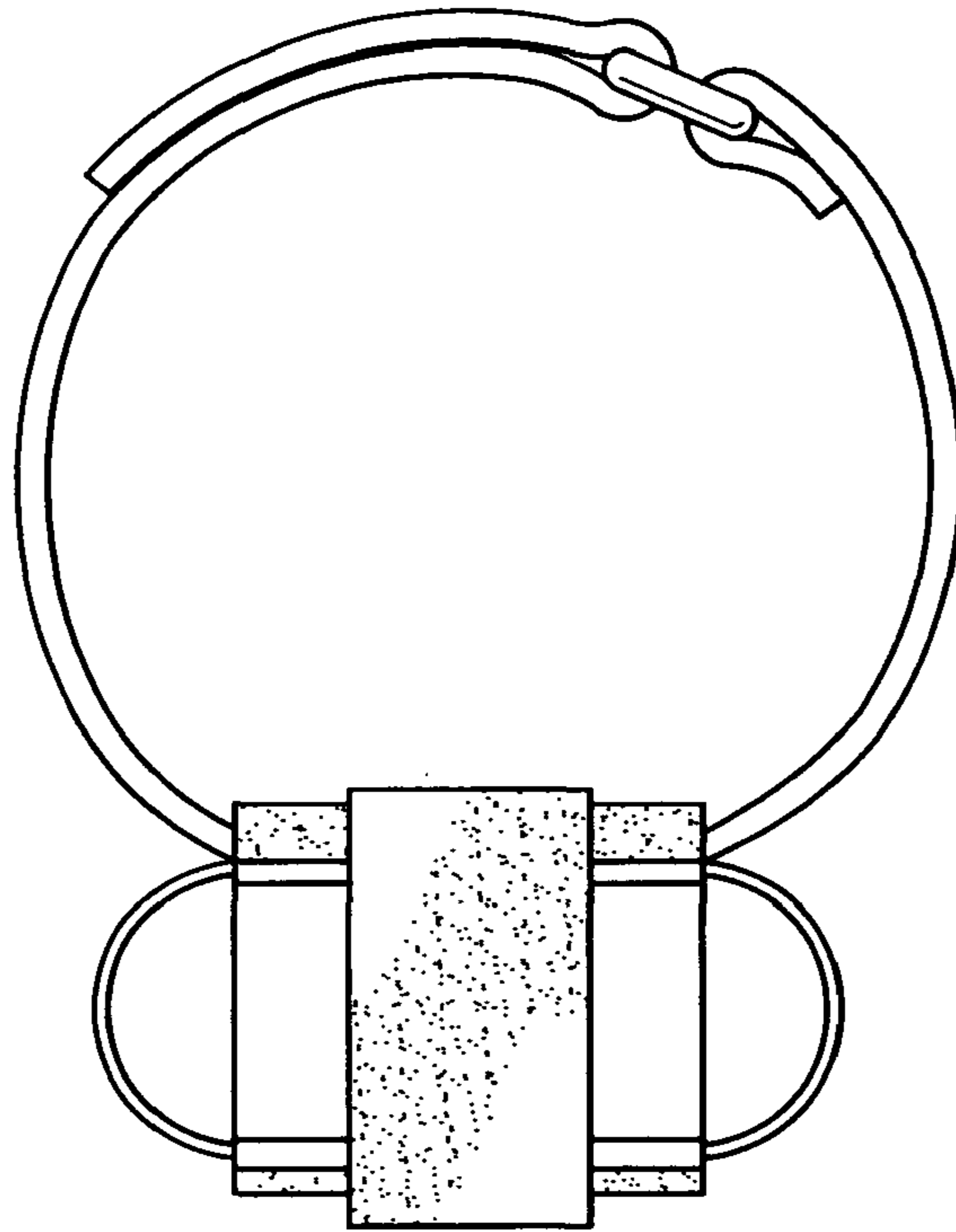


Fig. 11

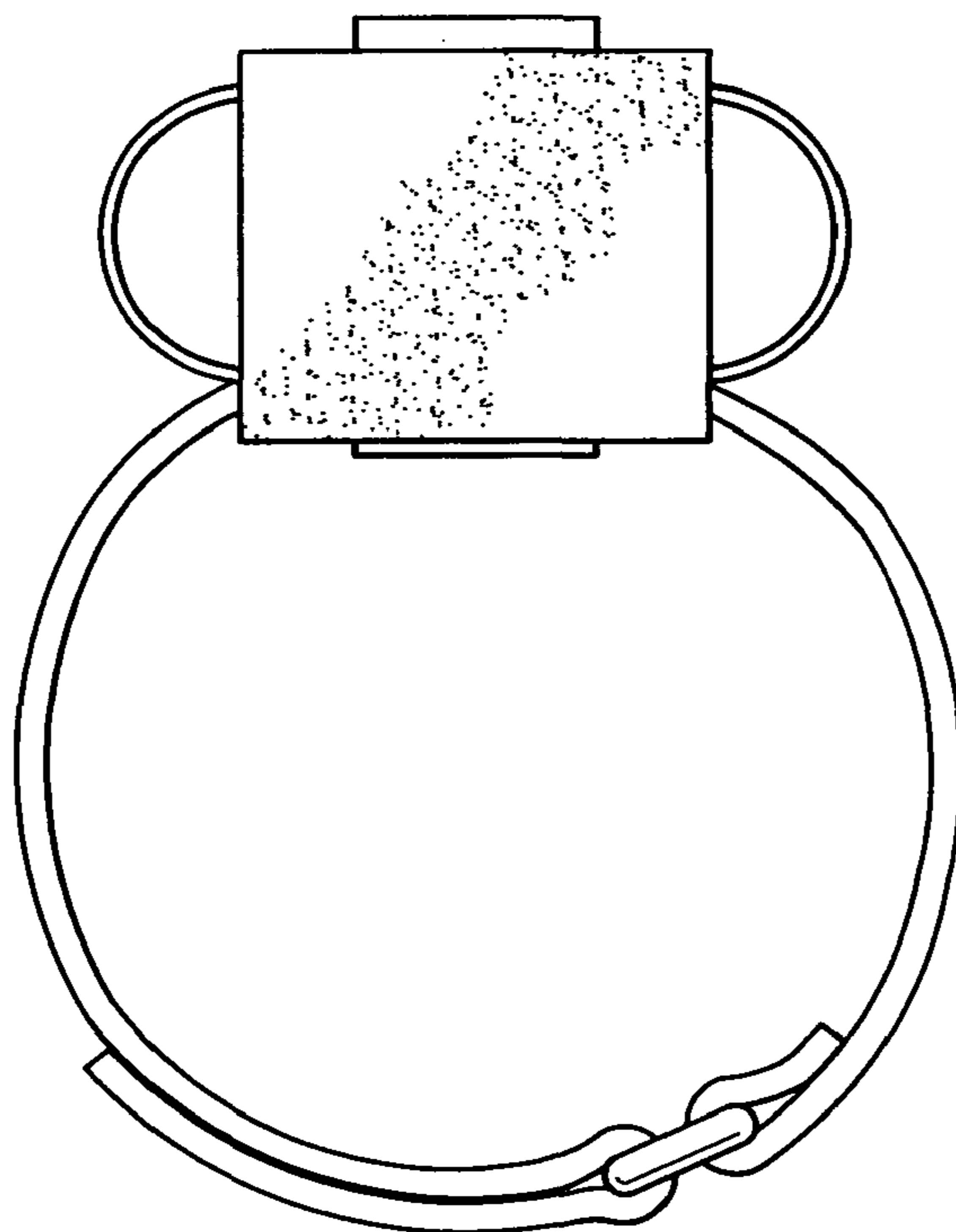


Fig. 12

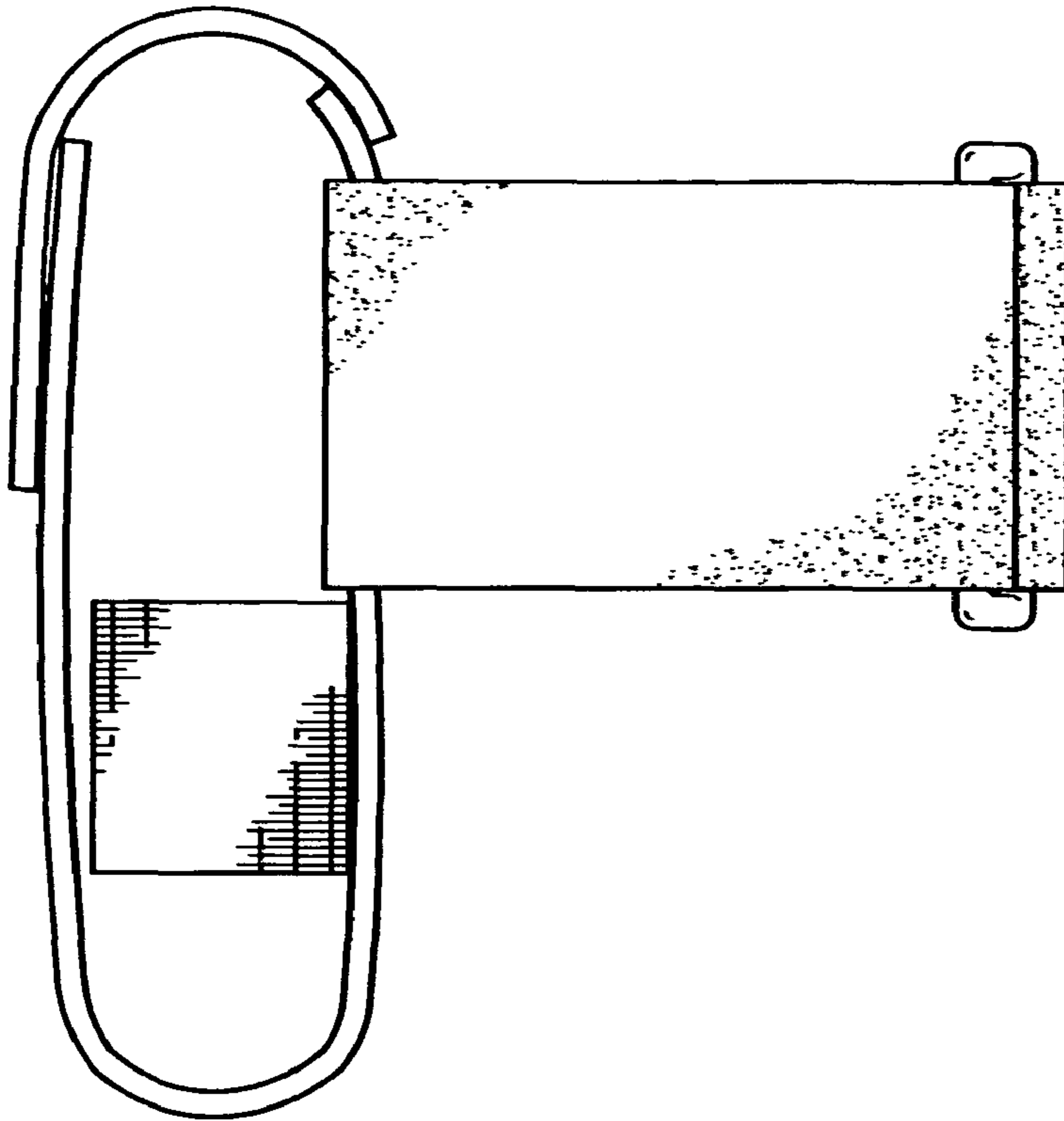


Fig. 13

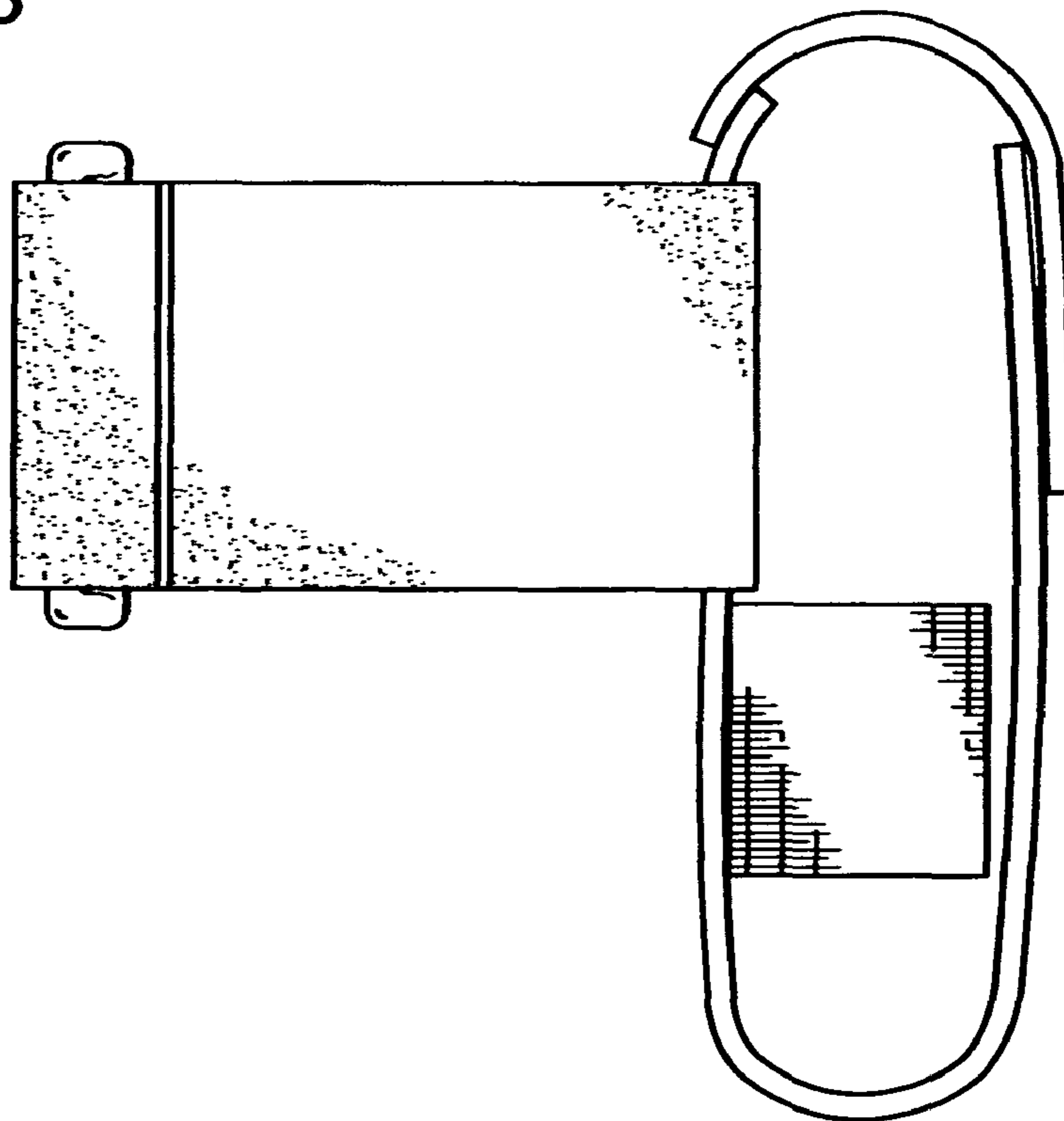


Fig. 14