



US00D654264S

(12) **United States Design Patent**
Kryklywicz

(10) **Patent No.:** **US D654,264 S**

(45) **Date of Patent:** **** Feb. 21, 2012**

(54) **WEARABLE POCKET**

(76) Inventor: **Tamara Y. Kryklywicz**, Calgary (CA)

(**) Term: **14 Years**

(21) Appl. No.: **29/380,118**

(22) Filed: **Nov. 30, 2010**

(51) **LOC (9) Cl.** **03-01**

(52) **U.S. Cl.** **D3/215**

(58) **Field of Classification Search** D3/215,
D3/226, 224; 224/219, 222, 267; 2/170,
2/162

See application file for complete search history.

(56) **References Cited**

U.S. PATENT DOCUMENTS

3,670,933	A *	6/1972	Jones	224/222
4,461,030	A	7/1984	Knudsen		
4,625,340	A	12/1986	Hernandez		
D343,518	S *	1/1994	Saggese, Jr.	D3/215
D365,677	S *	1/1996	Dolsey	D3/226
5,755,366	A	5/1998	Mazzo		
D512,832	S *	12/2005	Charles, Jr.	D3/215

FOREIGN PATENT DOCUMENTS

GB 2241149 A 8/1991

* cited by examiner

Primary Examiner — Catheri Oliver

(74) *Attorney, Agent, or Firm* — Lowe Graham Jones PLLC

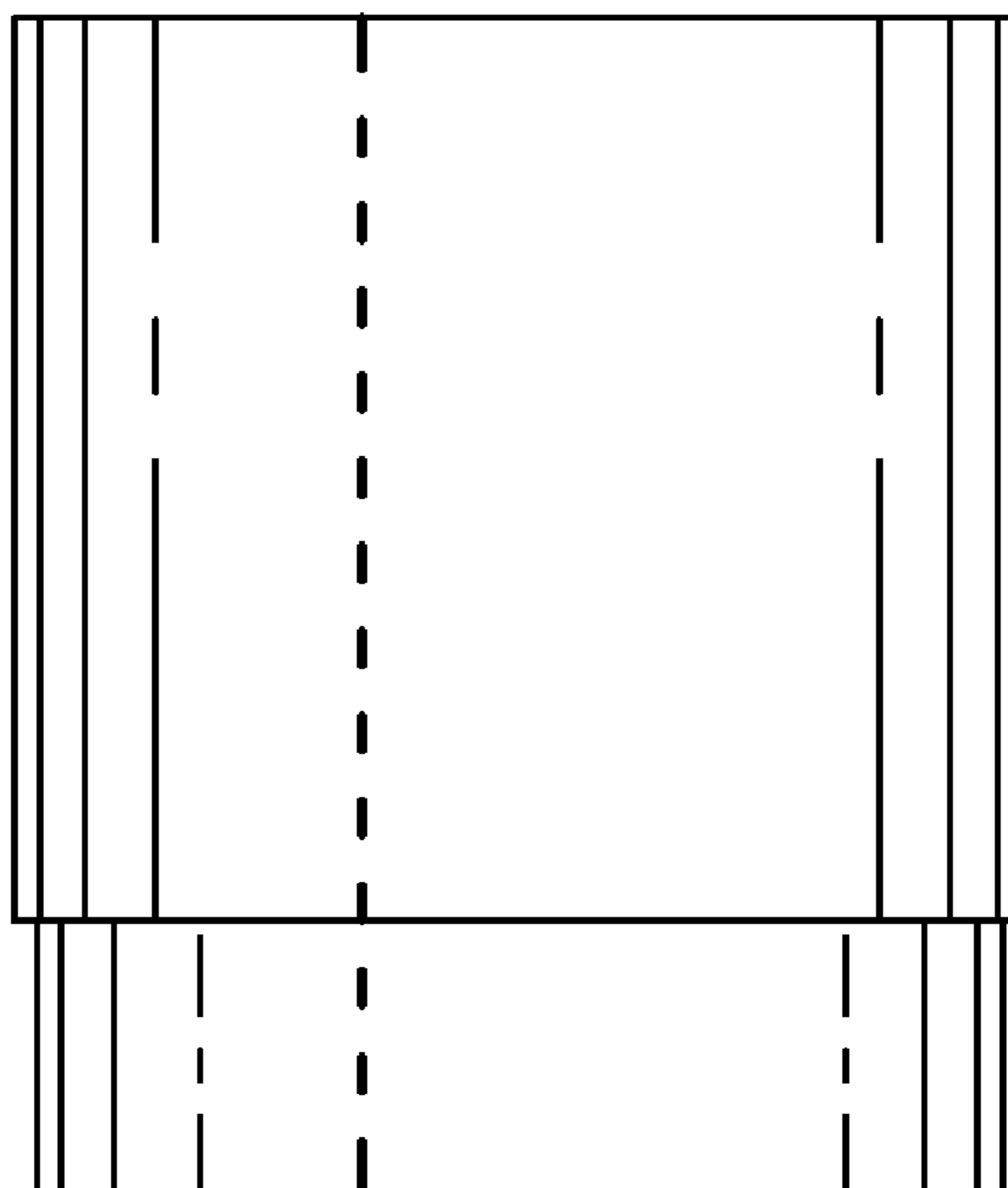
(57) **CLAIM**

I claim the ornamental design for a wearable pocket, as shown and described.

DESCRIPTION

FIG. 1 is a perspective view of the wearable pocket;
 FIG. 2 is a bottom plan view of the wearable pocket of FIG. 1;
 FIG. 3 is a front elevation view of the wearable pocket of FIG. 1;
 FIG. 4 is a rear elevation view of the wearable pocket of FIG. 1;
 FIG. 5 is a top plan view of the wearable pocket of FIG. 1;
 FIG. 6 is a left side elevation view of the wearable pocket of FIG. 1;
 FIG. 7 is a right side elevation view of the wearable pocket of FIG. 1; and,
 FIG. 8 is a perspective view of the wearable pocket of FIG. 1 being worn on a calf of a person.
 The short dashed lines in the drawings represent stitch lines and do not form part of the claimed design. The long dashed lines in FIG. 8 represent environment and do not form part of the claimed design.

1 Claim, 4 Drawing Sheets



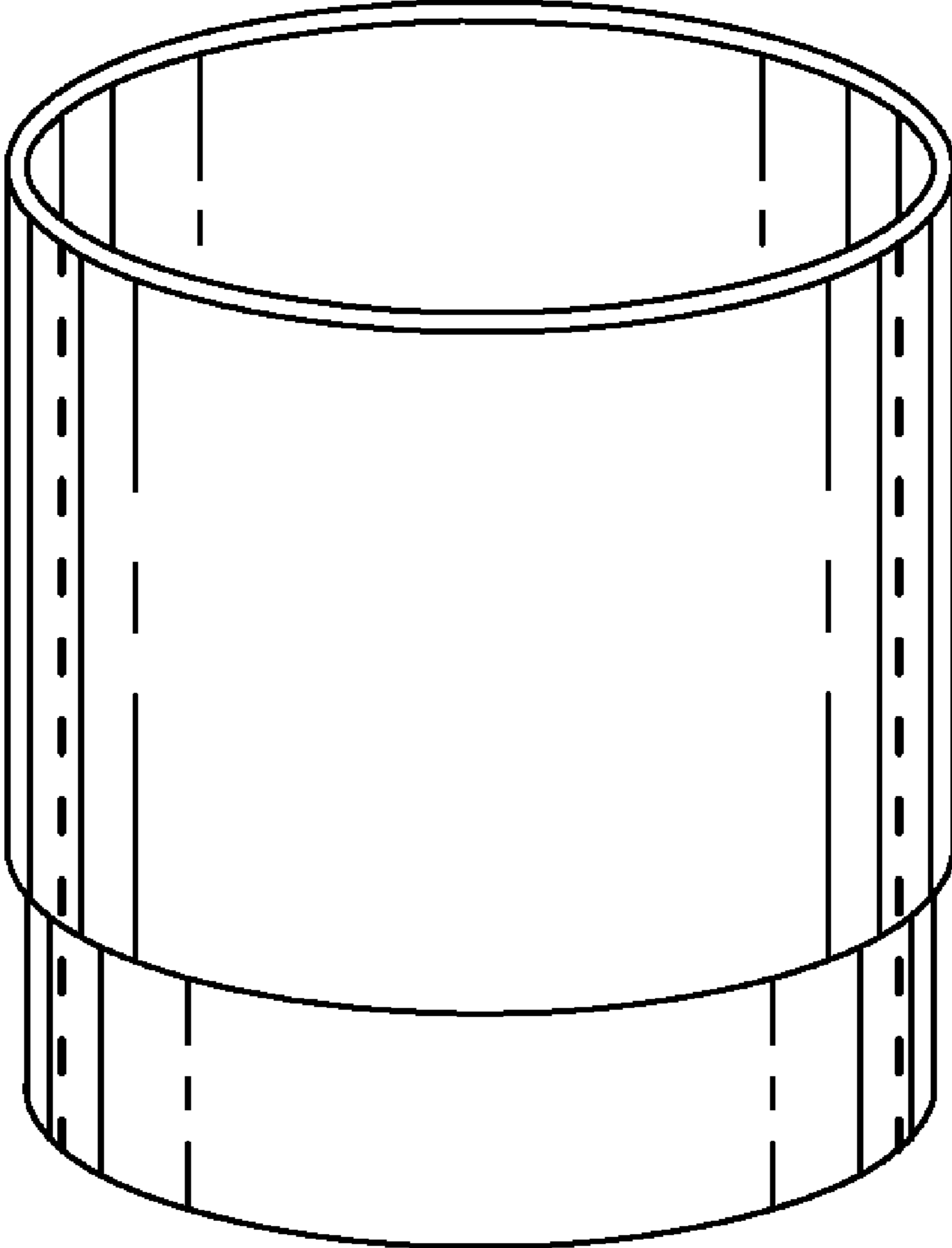


FIG. 1

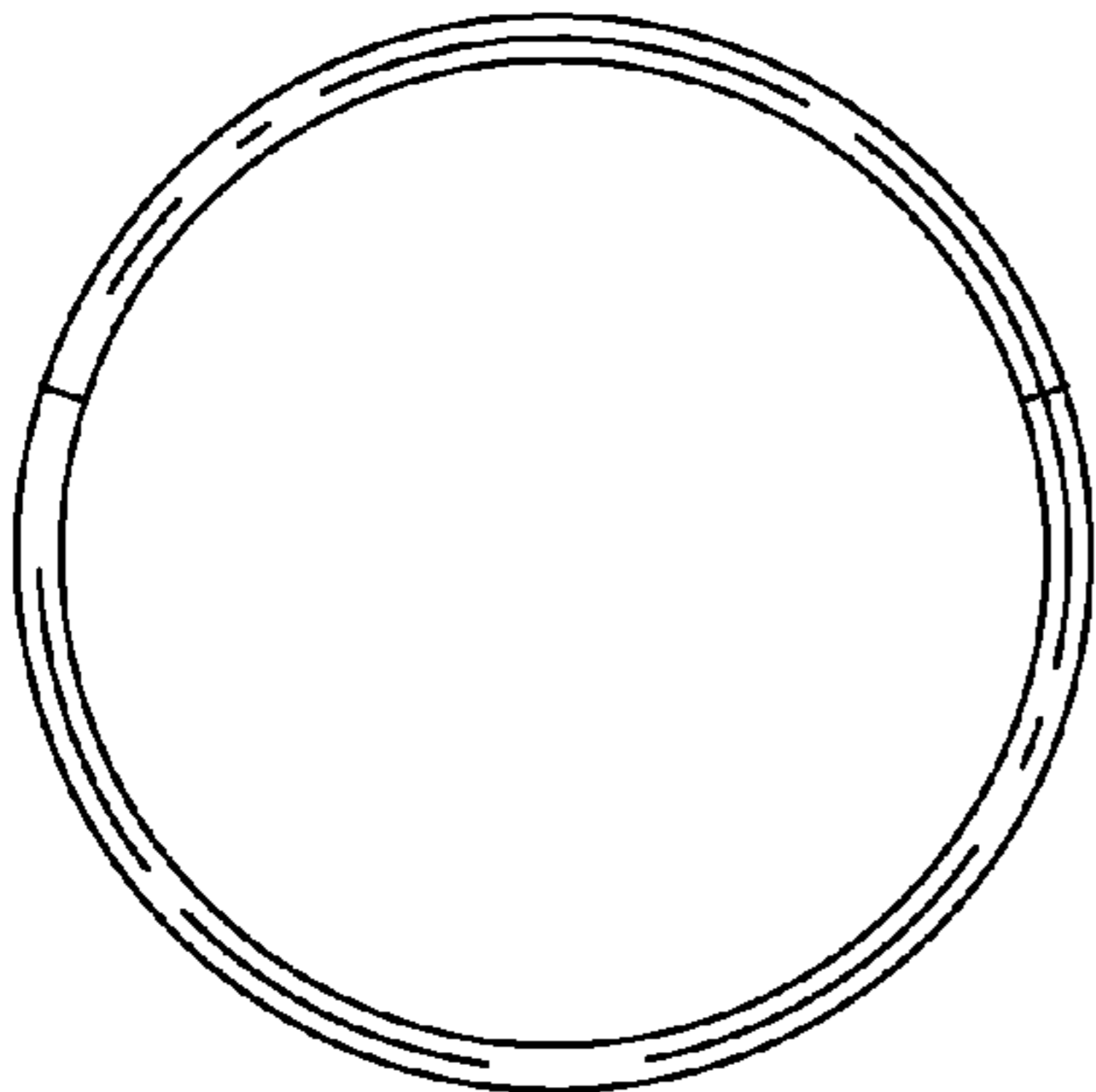


FIG. 2

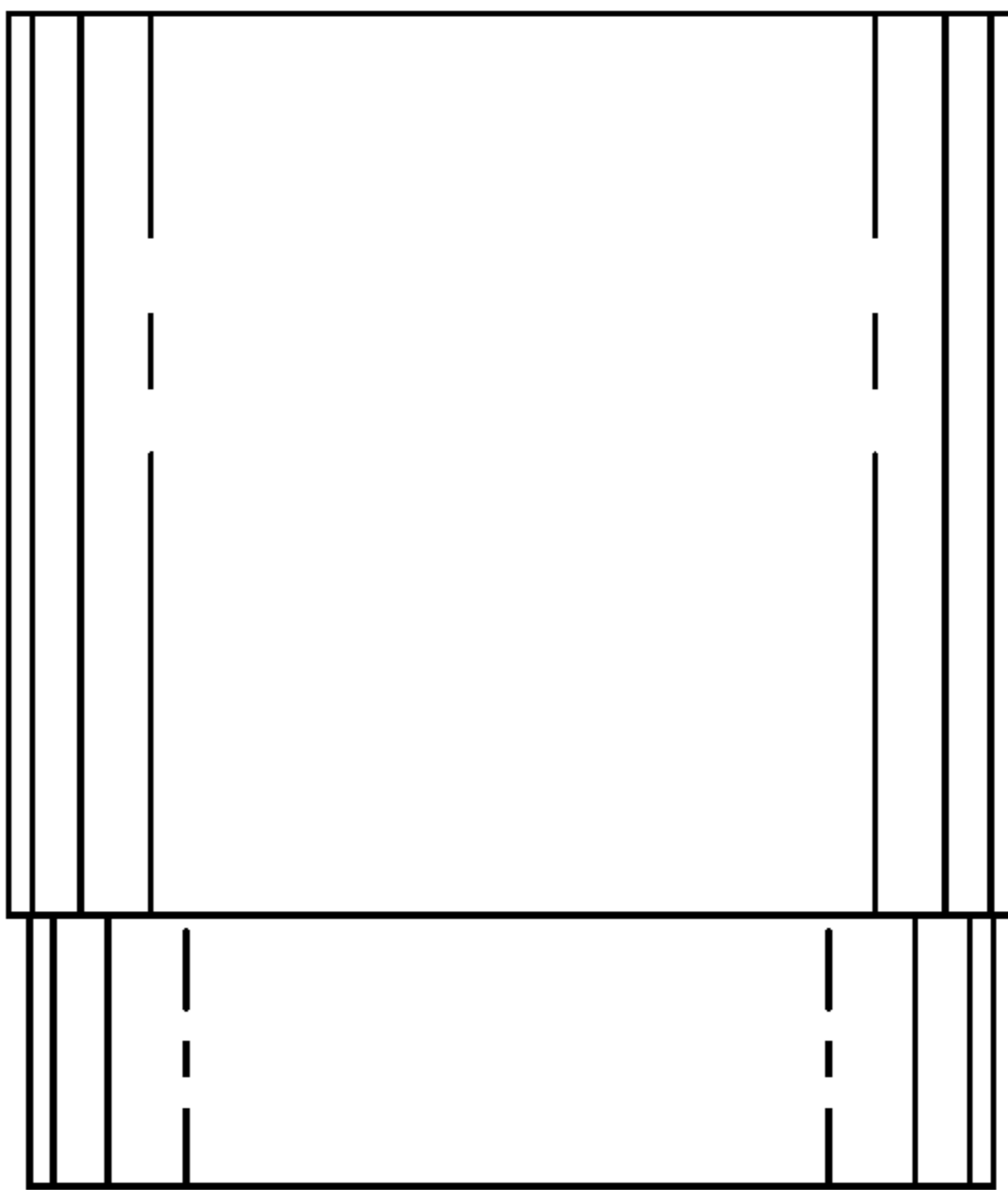


FIG. 4

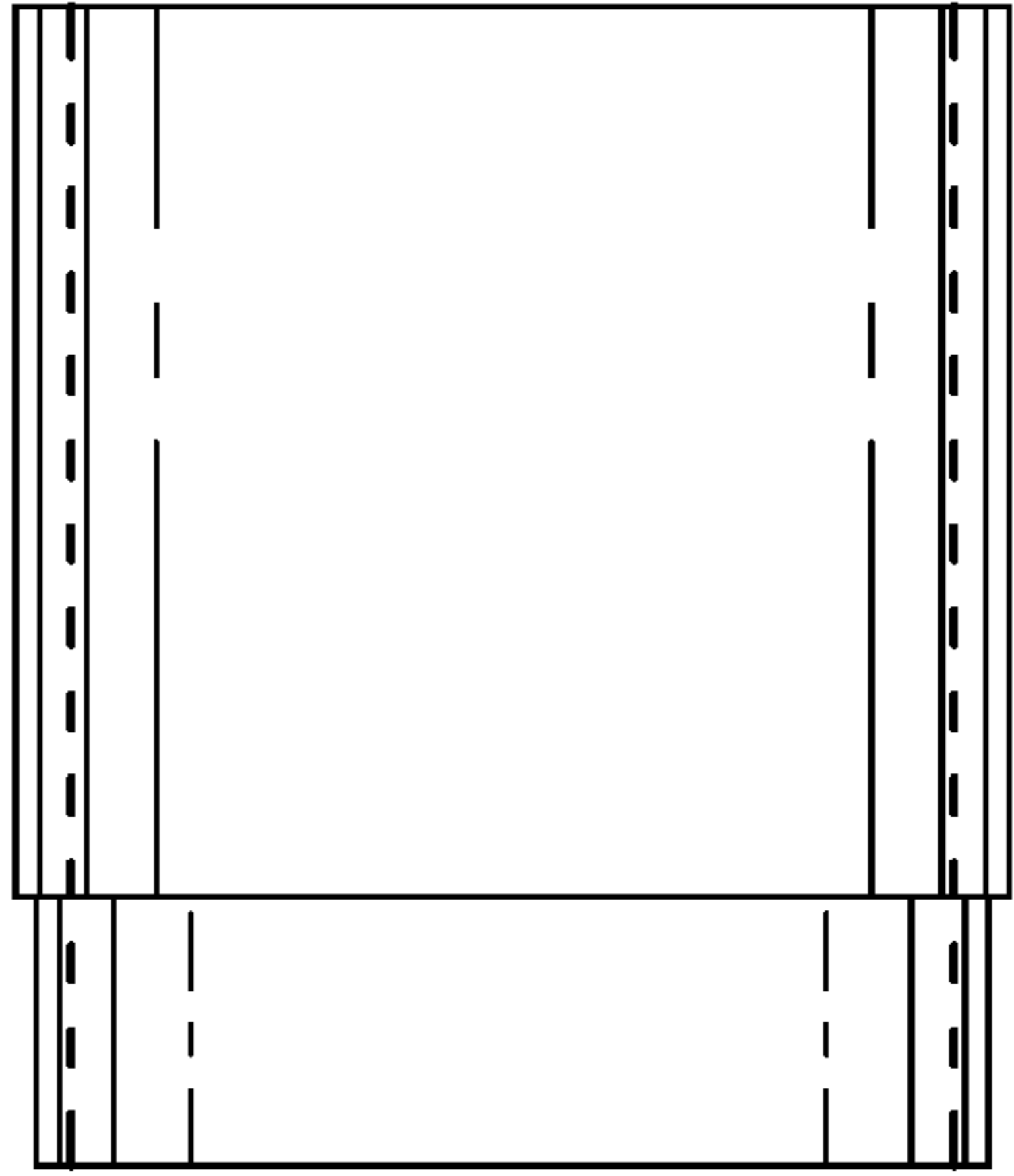


FIG. 3

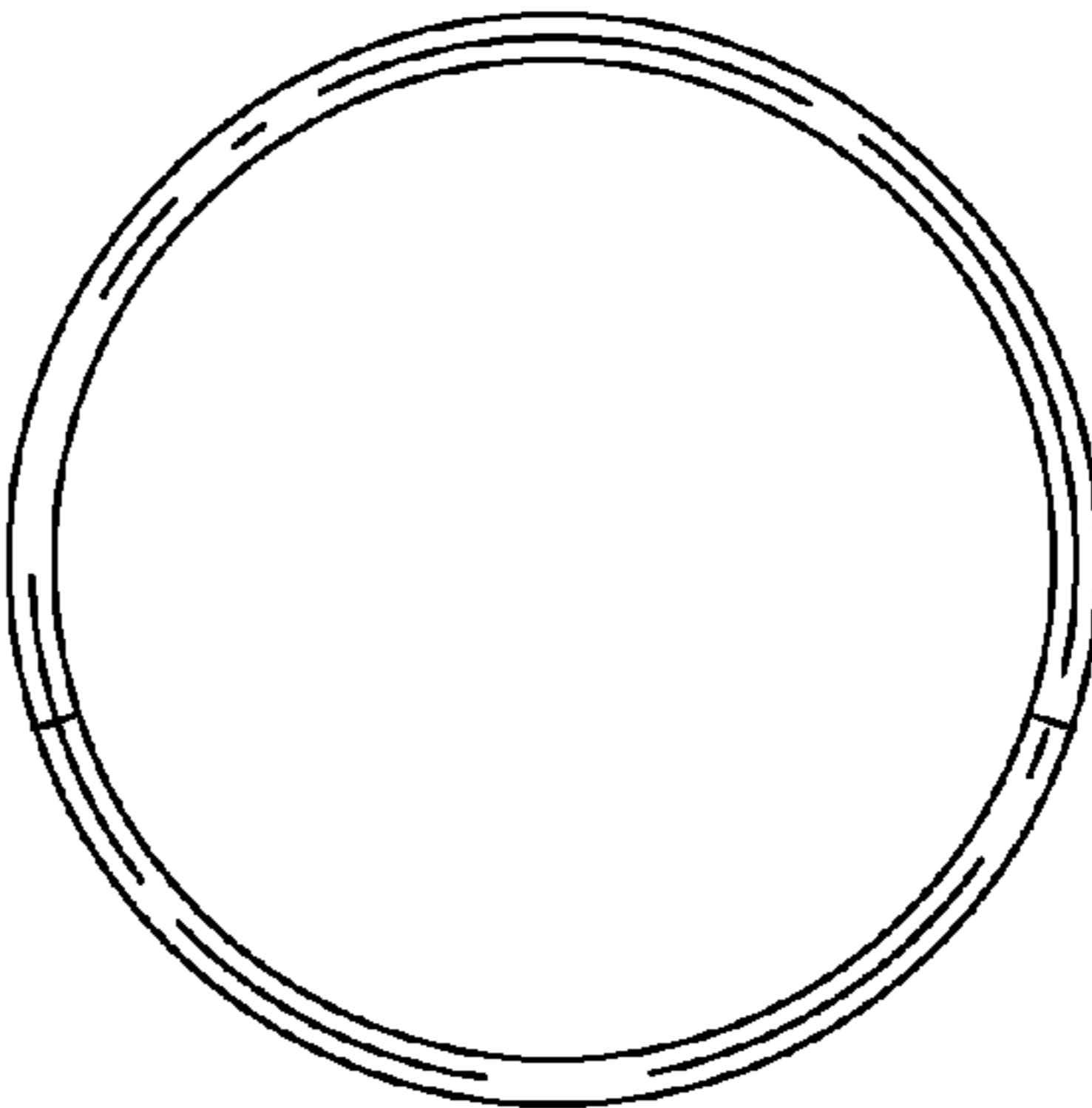


FIG. 5

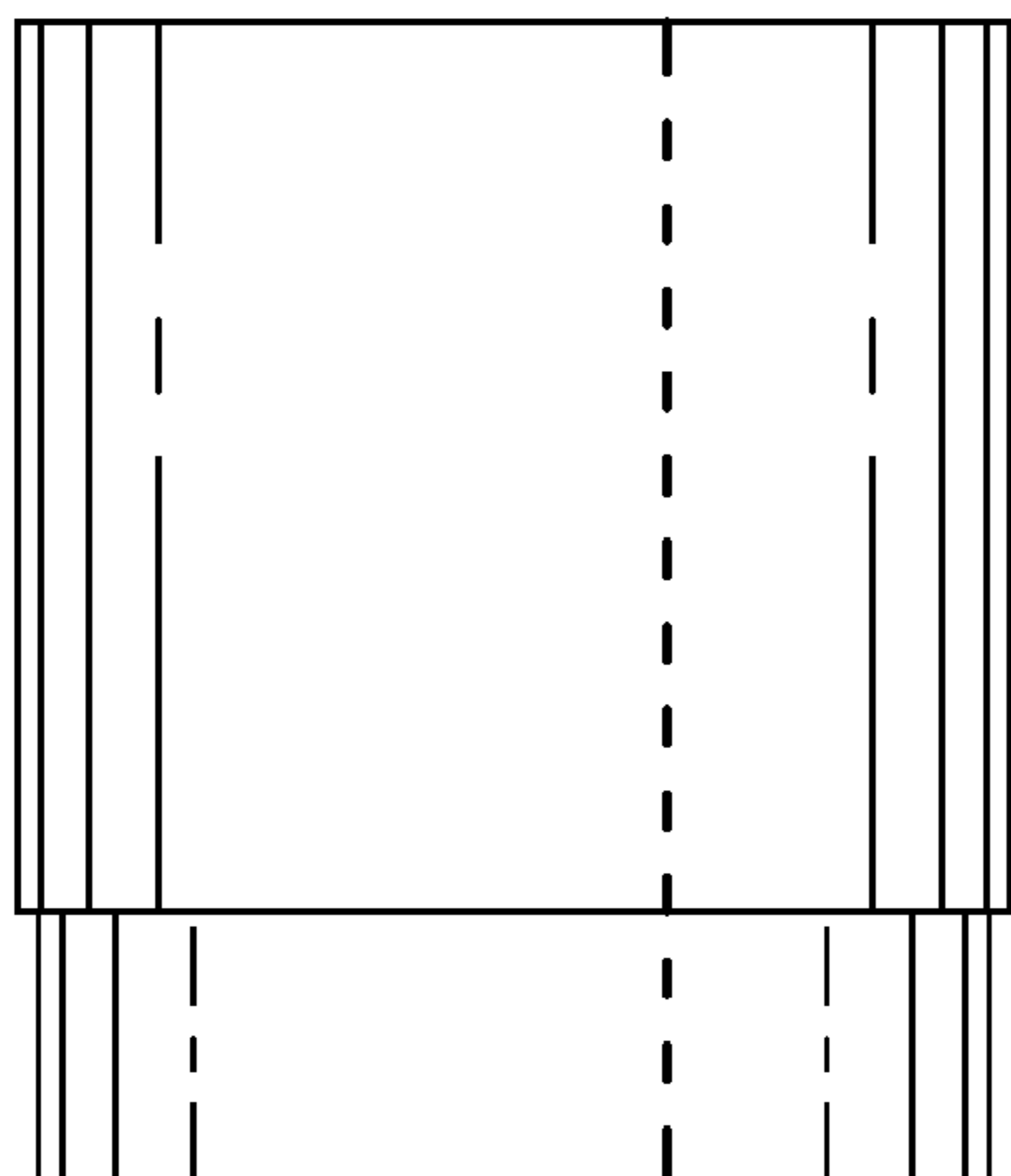


FIG. 6

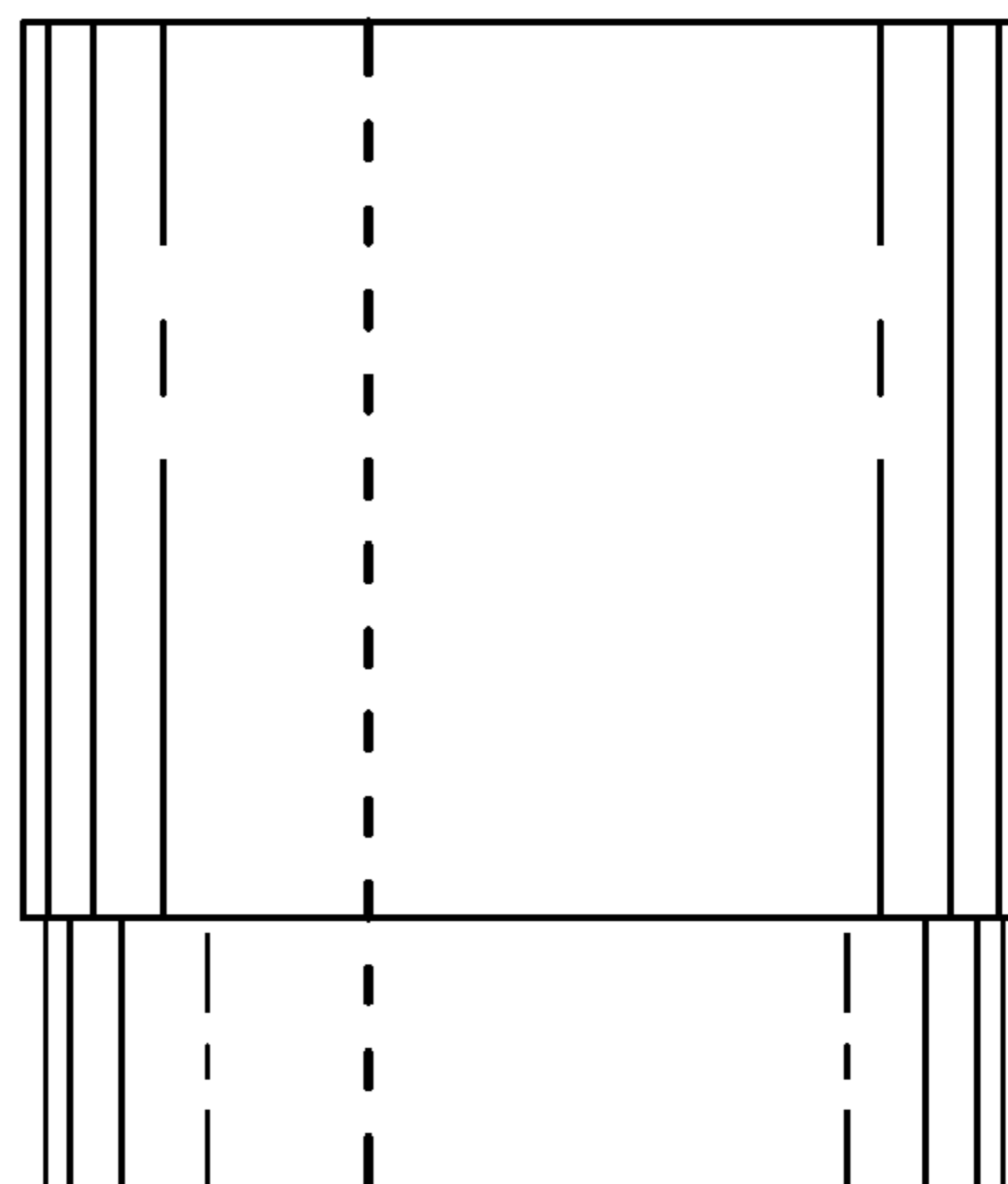


FIG. 7

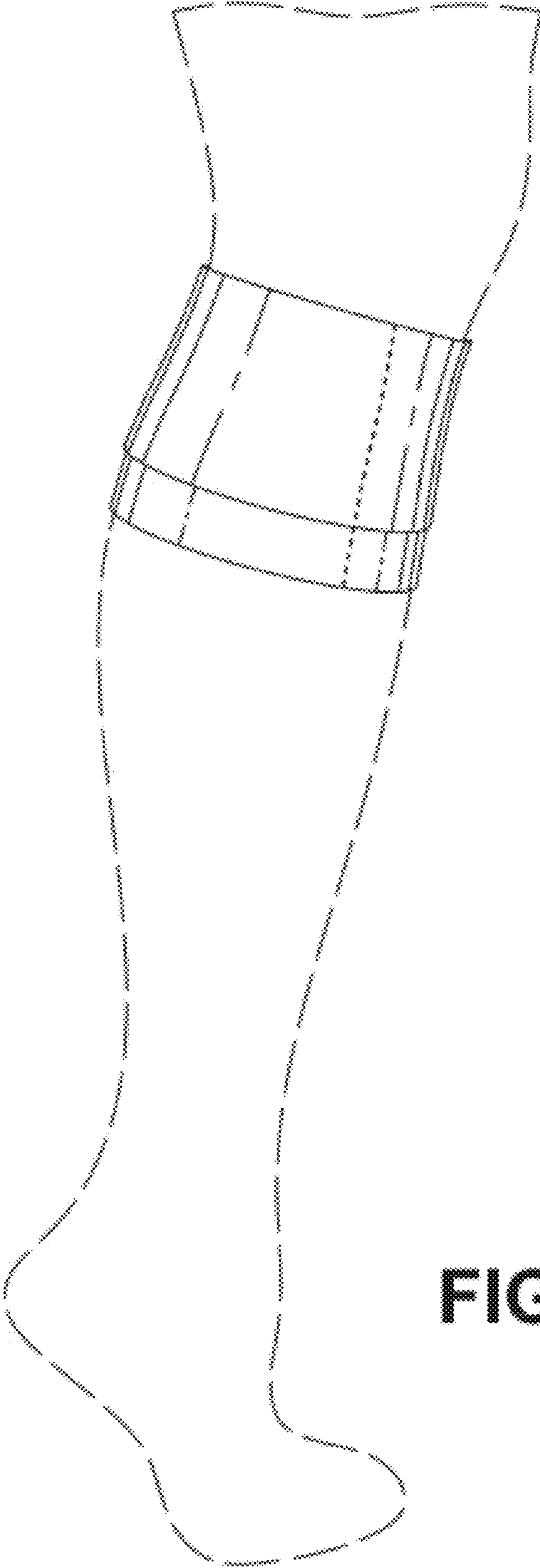


FIG. 8