



US00D654263S

(12) **United States Design Patent**
Mahmood et al.

(10) **Patent No.:** **US D654,263 S**
(45) **Date of Patent:** **** Feb. 21, 2012**

(54) **TOUCH-PAD COMPUTER CARRYING CASE**

DESCRIPTION

(76) Inventors: **Tahir Mahmood**, Manchester (GB);
Imran Rashid, London (GB)
(**) Term: **14 Years**
(21) Appl. No.: **29/362,621**
(22) Filed: **May 27, 2010**
(51) **LOC (9) Cl.** **03-01**
(52) **U.S. Cl.** **D3/201; D3/269**
(58) **Field of Classification Search** D3/201,
D3/269, 272-273, 282, 294, 300-301, 900,
D3/902; D6/407, 632-634; D14/299, 432,
D14/439, 440; 190/900-903; 206/216, 320,
206/576; 361/679.55, 700; 383/10
See application file for complete search history.

(56) **References Cited**

U.S. PATENT DOCUMENTS

D322,165	S *	12/1991	Lloyd	D3/273
5,775,497	A *	7/1998	Krulik	206/320
D462,518	S *	9/2002	Truffier-Blanc et al.	D3/273
D500,204	S *	12/2004	Hillman	D3/301
D515,588	S *	2/2006	Kirkwood	D14/440
D543,700	S *	6/2007	Parker et al.	D3/294
7,333,327	B1 *	2/2008	Ho et al.	361/679.55
D582,675	S *	12/2008	Nelson	D3/301
7,909,161	B2 *	3/2011	Sween et al.	206/320

* cited by examiner

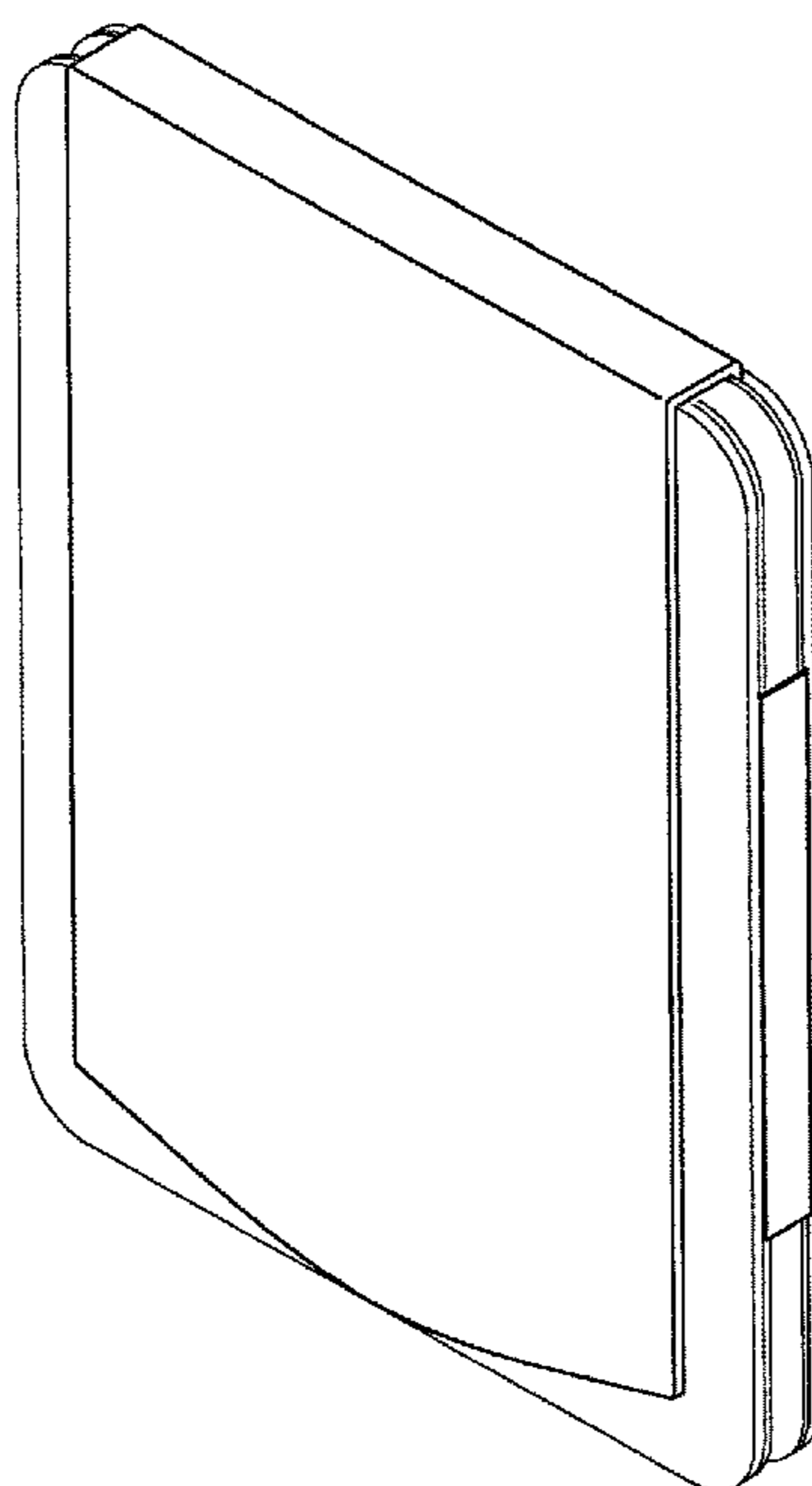
Primary Examiner — Catheri Oliver

(57) **CLAIM**

The ornamental design for the touch-pad computer carrying case, as shown in the drawings.

FIG. 1 is a front and side isometric view of the touch-pad computer carrying case with the flap closed, for use with, by way of non-limiting example, an iPad;
FIG. 2 is a front view of the touch-pad computer carrying case with the flap closed;
FIG. 3 is a rear view of the touch-pad computer carrying case;
FIG. 4 is a side elevation view of the touch-pad computer carrying case with the flap closed;
FIG. 5 is a top plan view of the touch-pad computer carrying case with the flap closed;
FIG. 6 is a bottom plan view of the touch-pad computer carrying case with the flap closed;
FIG. 7 is a front/side isometric view of the touch-pad computer carrying case with flap in an opened and pushed down position;
FIG. 8 is a front elevation view of the touch-pad computer carrying case with flap in an opened and pushed down position;
FIG. 9 is a rear view of the touch-pad computer carrying case with flap in an opened and pushed down position;
FIG. 10 is a side elevation view of the touch-pad computer carrying case with flap in an opened and pushed down position;
FIG. 11 is a top plan view of the touch-pad computer carrying case with flap in an opened and pushed down position with security strap locked; and,
FIG. 12 is a bottom view of the touch-pad carrying case with flap in an opened and pushed down position and security strap locked.

1 Claim, 4 Drawing Sheets



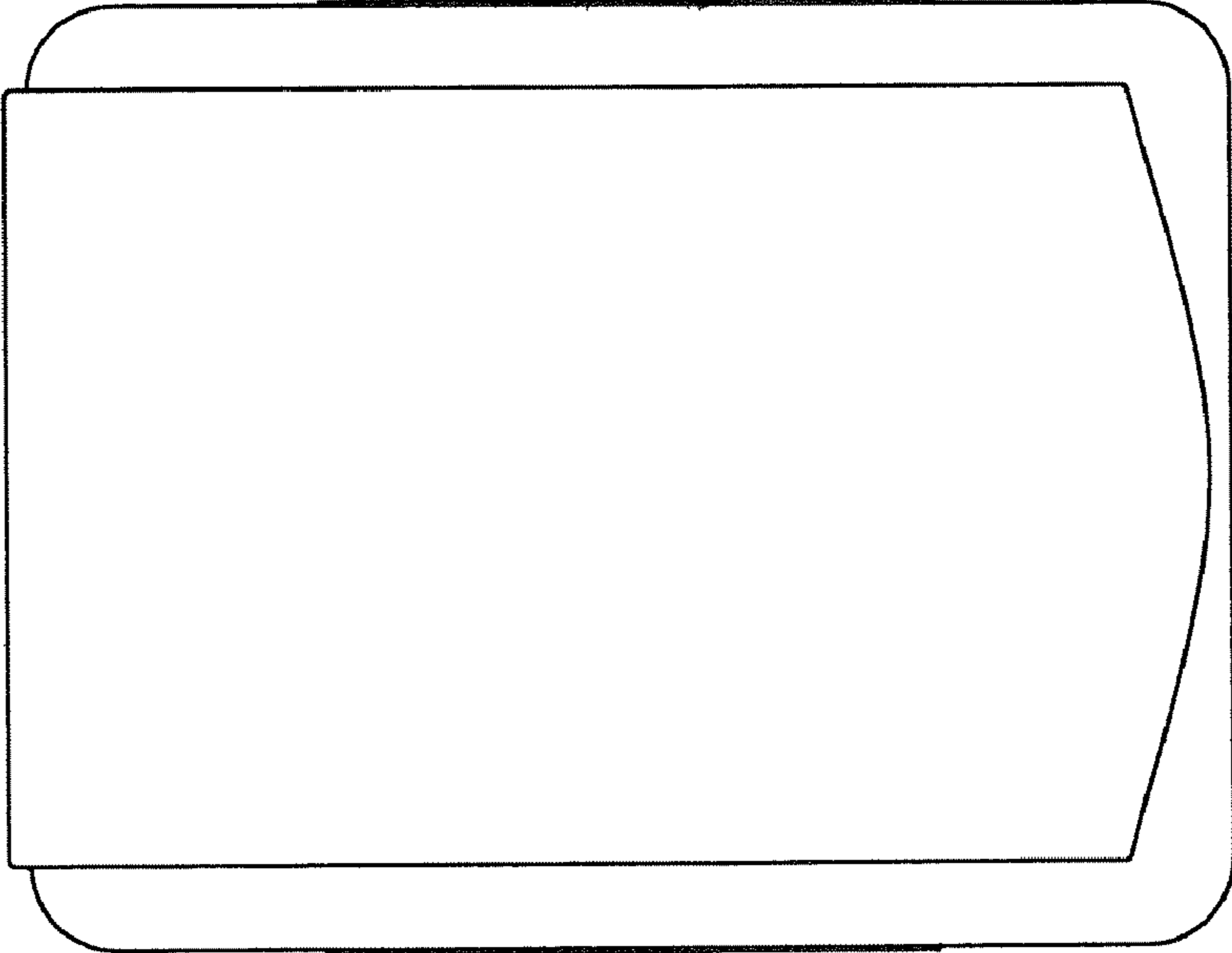


Fig.2

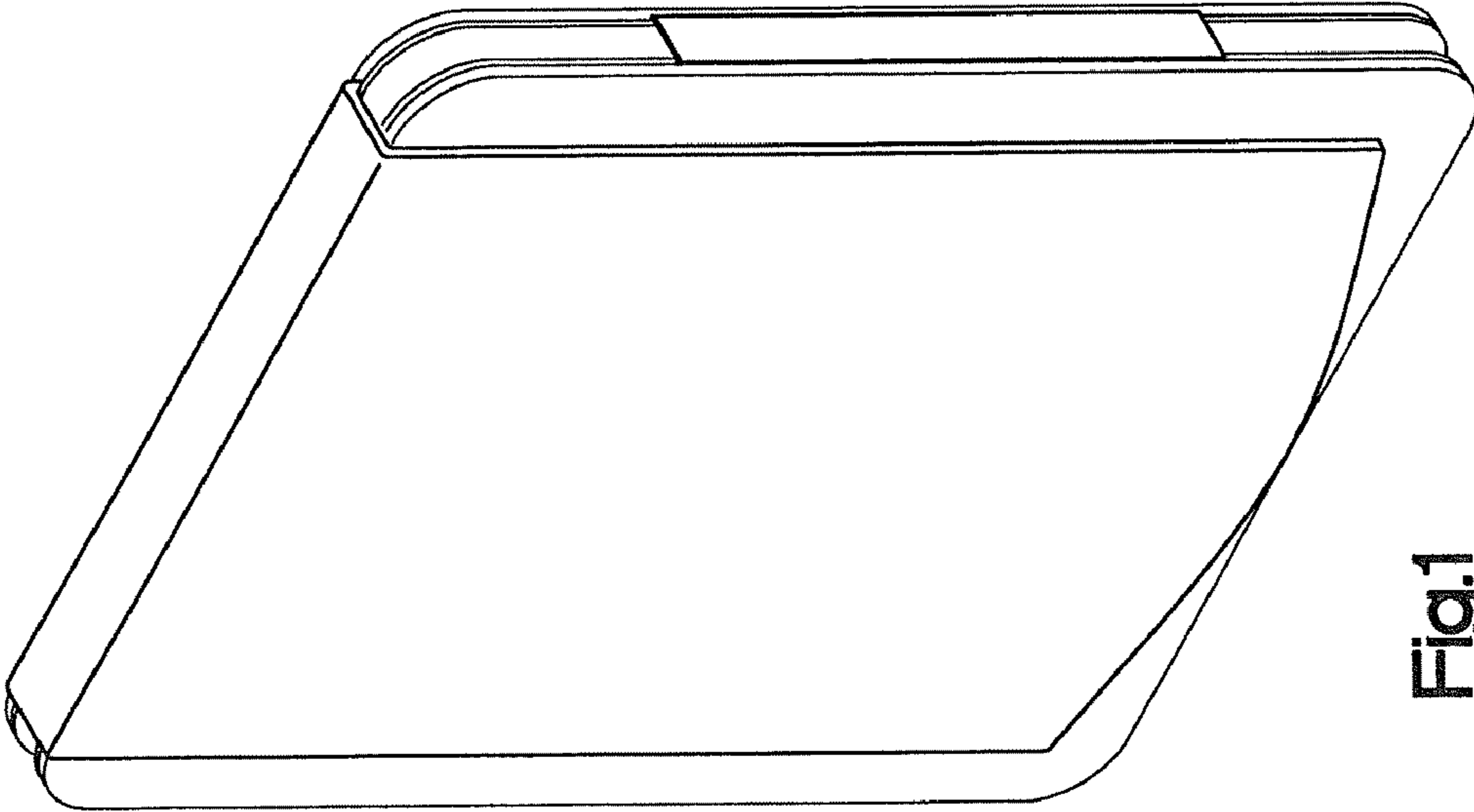


Fig.1

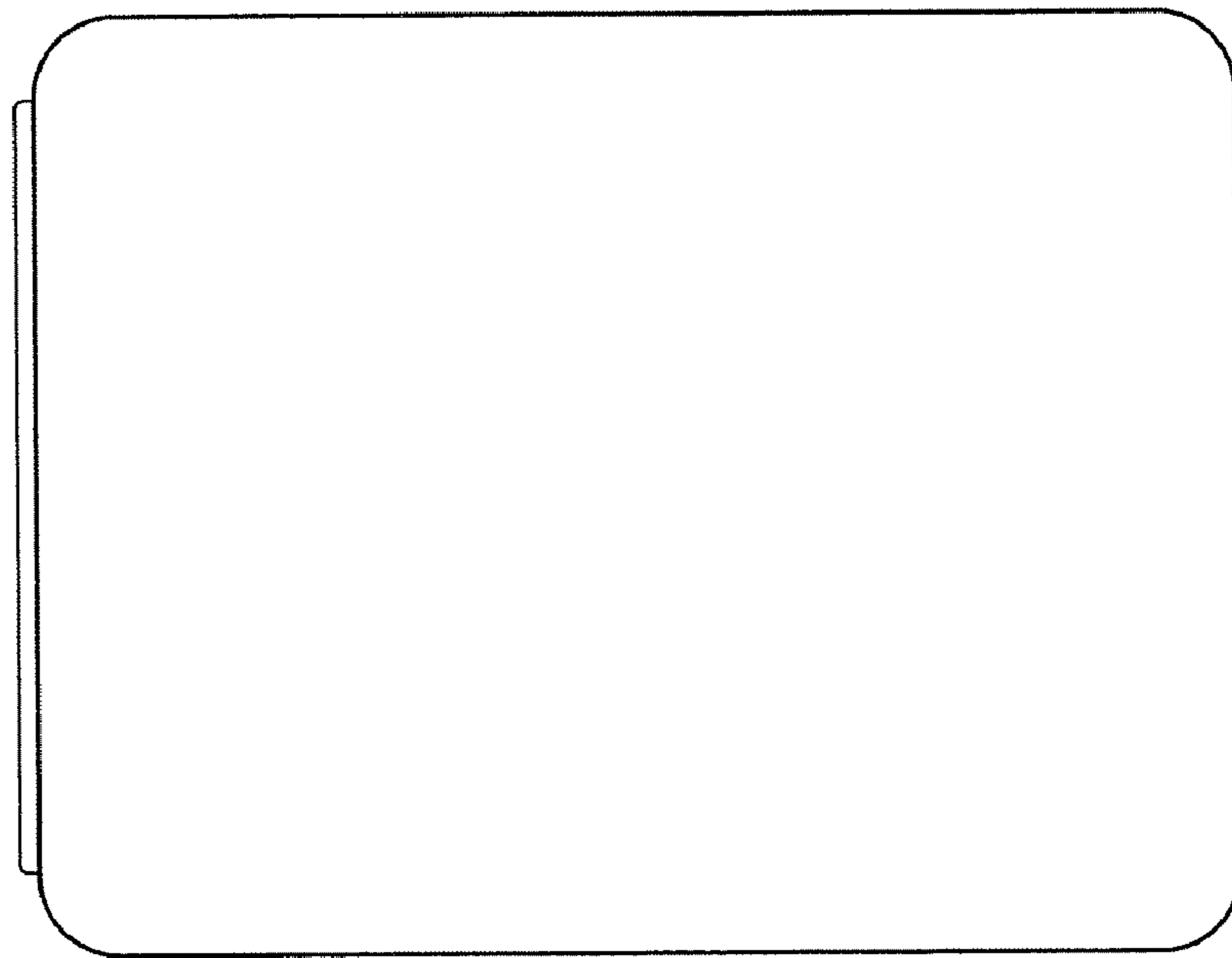


Fig.3



Fig.4

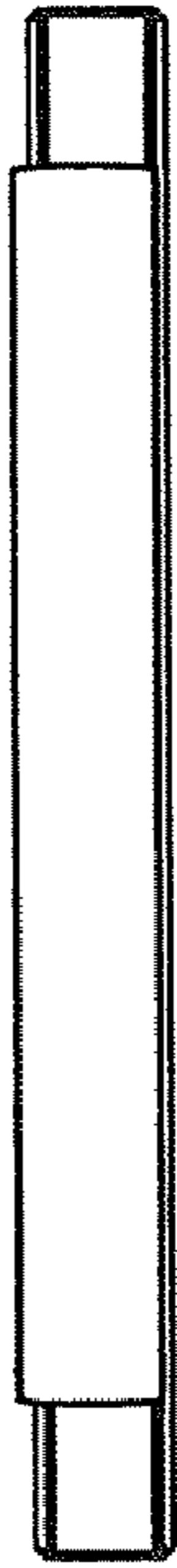


Fig.5



Fig.6

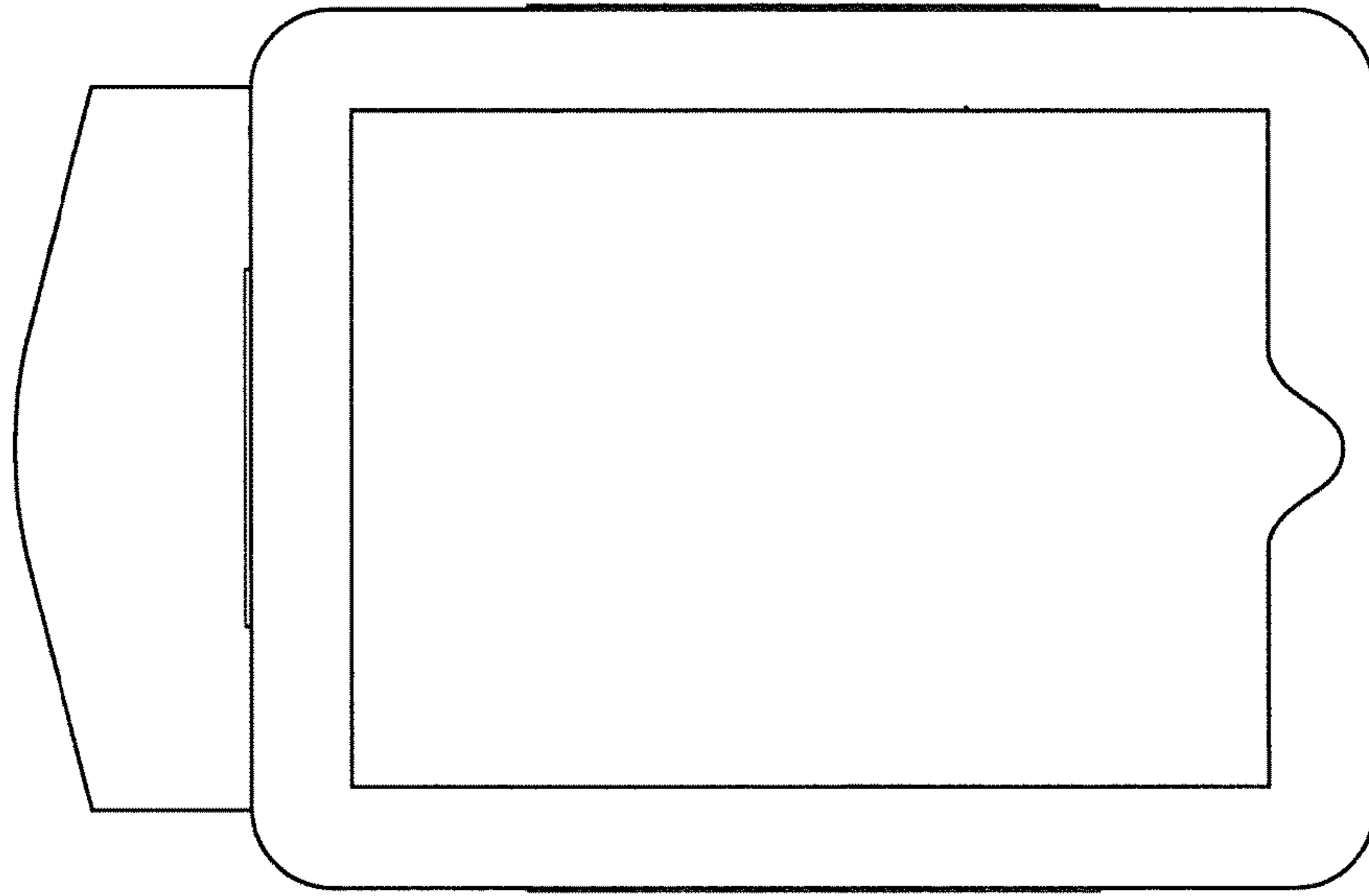


Fig.8

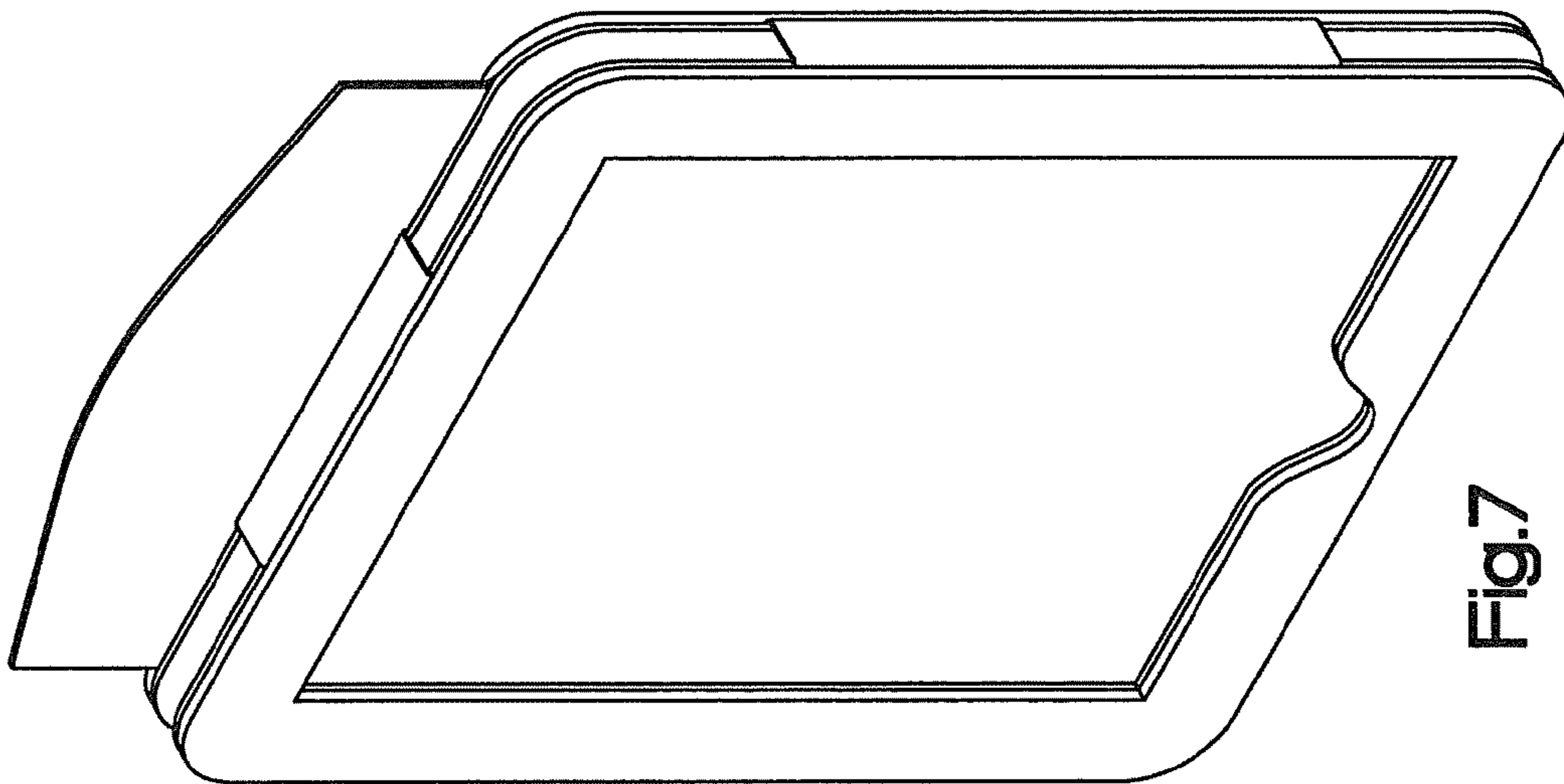


Fig.7

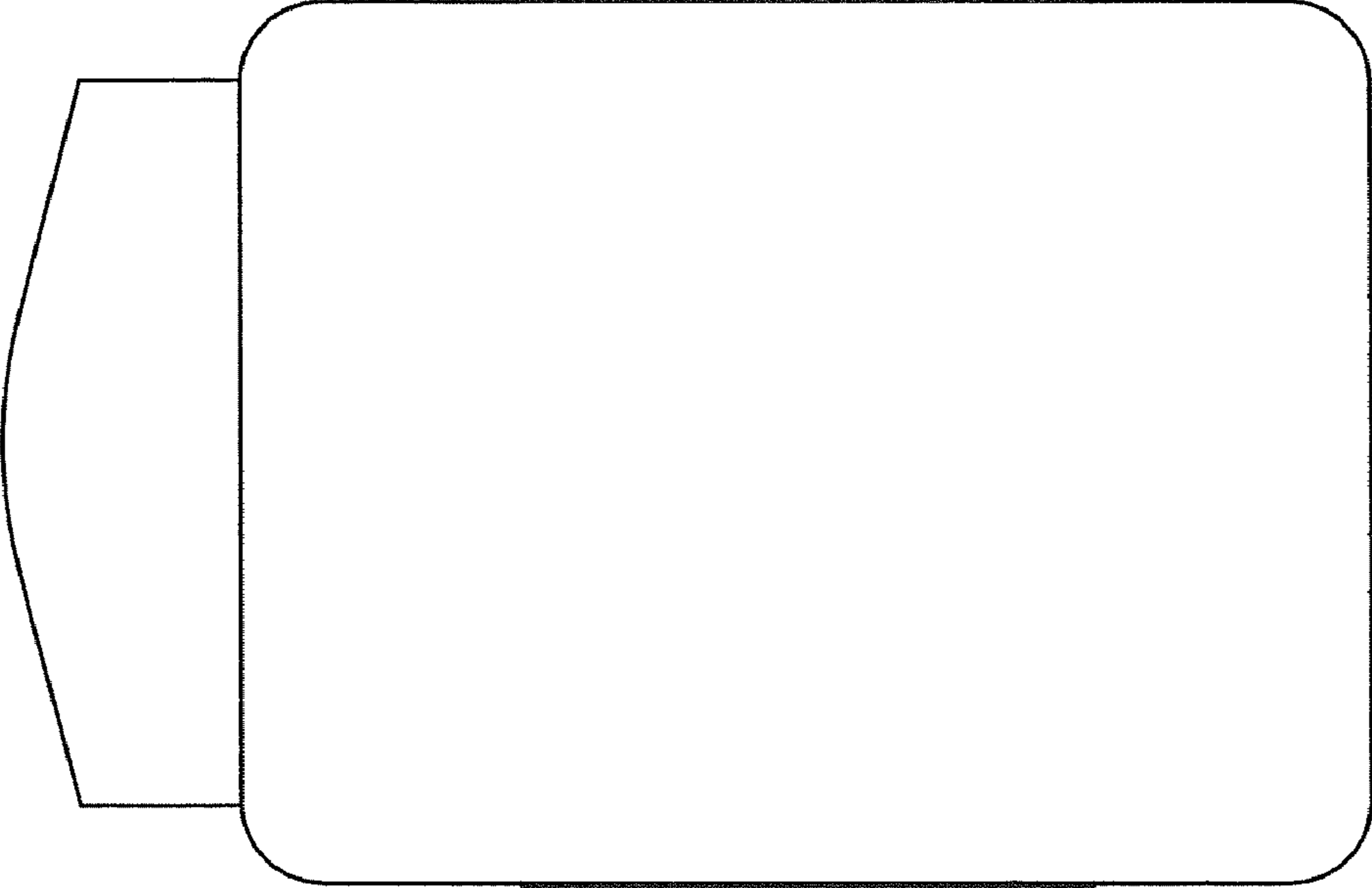


Fig.9



Fig.10

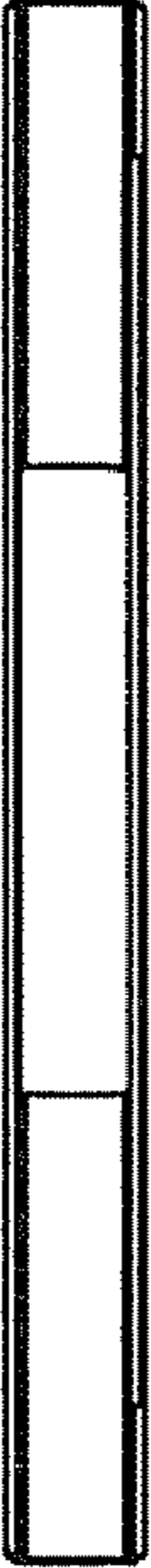


Fig.11



Fig.12