



US00D654260S

(12) **United States Design Patent**
Frappier et al.

(10) **Patent No.:** **US D654,260 S**

(45) **Date of Patent:** **** Feb. 21, 2012**

(54) **TOE CAP**

(75) Inventors: **Justin Frappier**, Montreal (CA);
Philippe Martin, Chambly, CA (US)

(73) Assignee: **Sport Maska Inc.**, Montreal (CA)

(**) Term: **14 Years**

(21) Appl. No.: **29/359,984**

(22) Filed: **Apr. 19, 2010**

(51) **LOC (9) Cl.** **02-99**

(52) **U.S. Cl.** **D2/972; D2/904**

(58) **Field of Classification Search** D2/896,
D2/902, 943, 944, 969, 972-974, 904-909;
36/45-49, 50.1, 77 M, 77 R, 83, 88, 113,
36/114, 126-131, 72 R
See application file for complete search history.

(56) **References Cited**

U.S. PATENT DOCUMENTS

1,888,609	A	11/1932	Sankey	
2,061,160	A	11/1936	Kendall	
D126,391	S *	4/1941	Gebauer D2/972
2,268,435	A	12/1941	Zucker	
4,005,534	A	2/1977	Crist et al.	
4,051,612	A	10/1977	Damron	
4,735,003	A	4/1988	Dykeman	
D345,449	S	3/1994	Armstrong	

D389,989	S	2/1998	Pilz	
D398,759	S *	9/1998	Hlavacs D2/972
5,832,633	A	11/1998	Wang	
D420,505	S *	2/2000	Lupo D2/972
D423,198	S	4/2000	Peterson et al.	
D425,289	S	5/2000	Sheppard, Jr. et al.	
6,286,234	B1	9/2001	Smith, Jr.	
D493,275	S *	7/2004	Koyess et al. D2/946
D515,301	S *	2/2006	Gillespie D2/972

* cited by examiner

Primary Examiner — Dominic Simone

(74) *Attorney, Agent, or Firm* — Osler, Hoskin & Harcourt LLP

(57) **CLAIM**

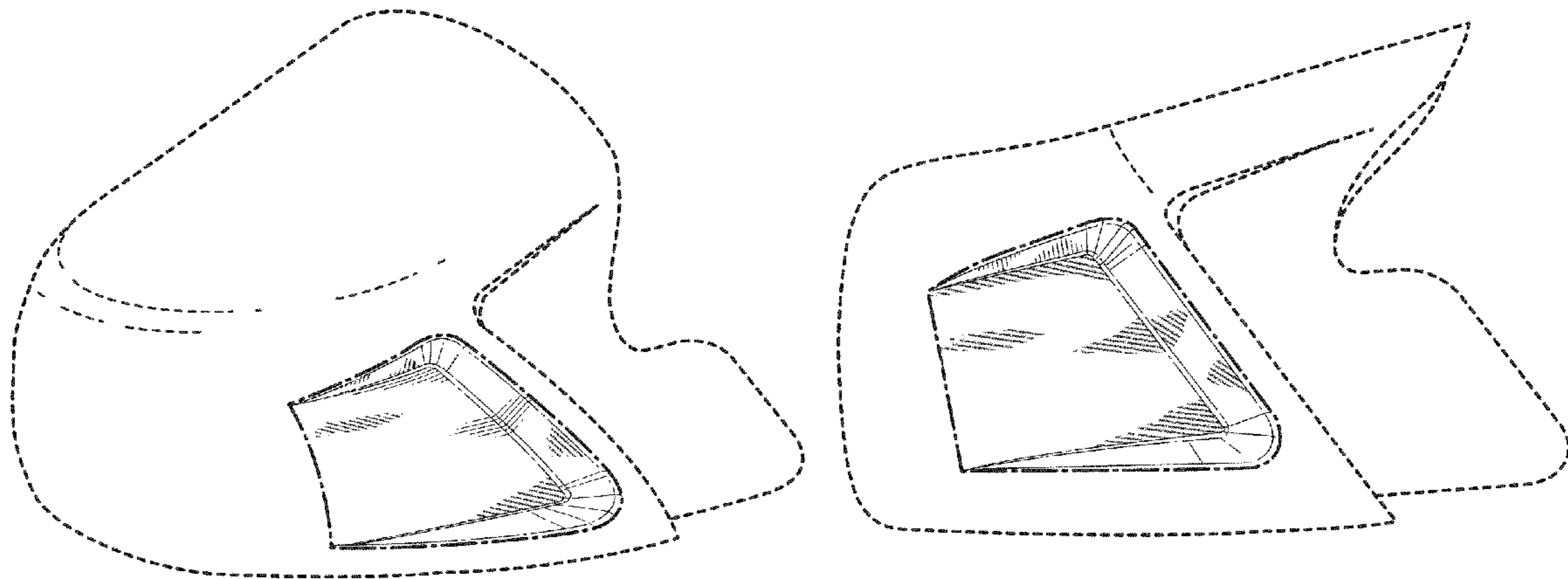
The ornamental design for a toe cap, as shown and described.

DESCRIPTION

FIG. 1 is a perspective view taken from a front, top, left side of a toe cap showing our design;
FIG. 2 is a left side elevation view thereof;
FIG. 3 is a right side elevation view thereof;
FIG. 4 is a front elevation view thereof; and,
FIG. 5 is a top plan view thereof.

Throughout the Figures, where shown: the dotted lines showing additional structure of the toe cap are for illustrative purposes only and form no part of the claimed design; the unshaded surfaces form no part of the claimed design; and the dotted/dashed lines illustrate unclaimed boundaries of surfaces claimed as part of the design.

1 Claim, 3 Drawing Sheets



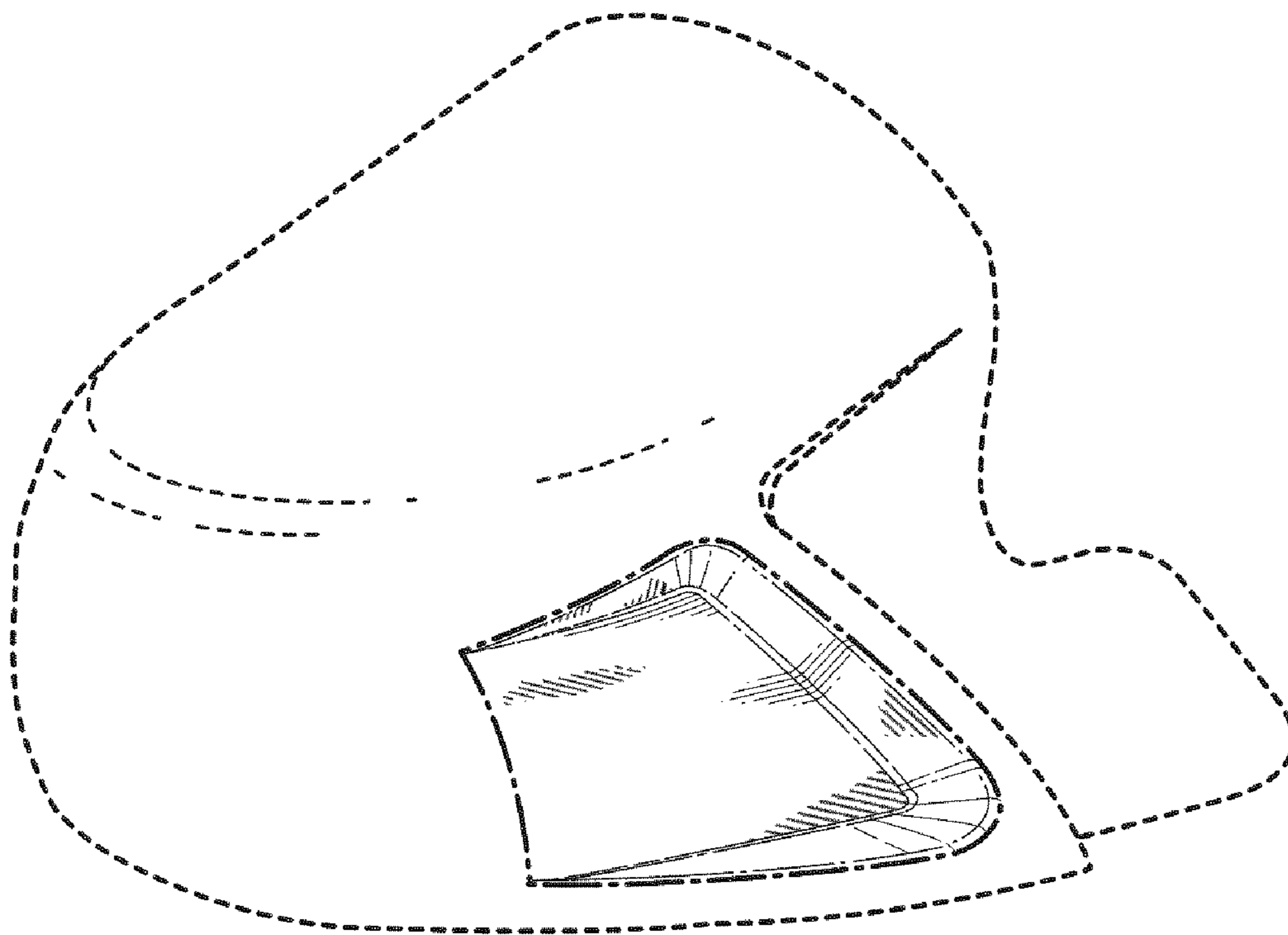


FIG. 1

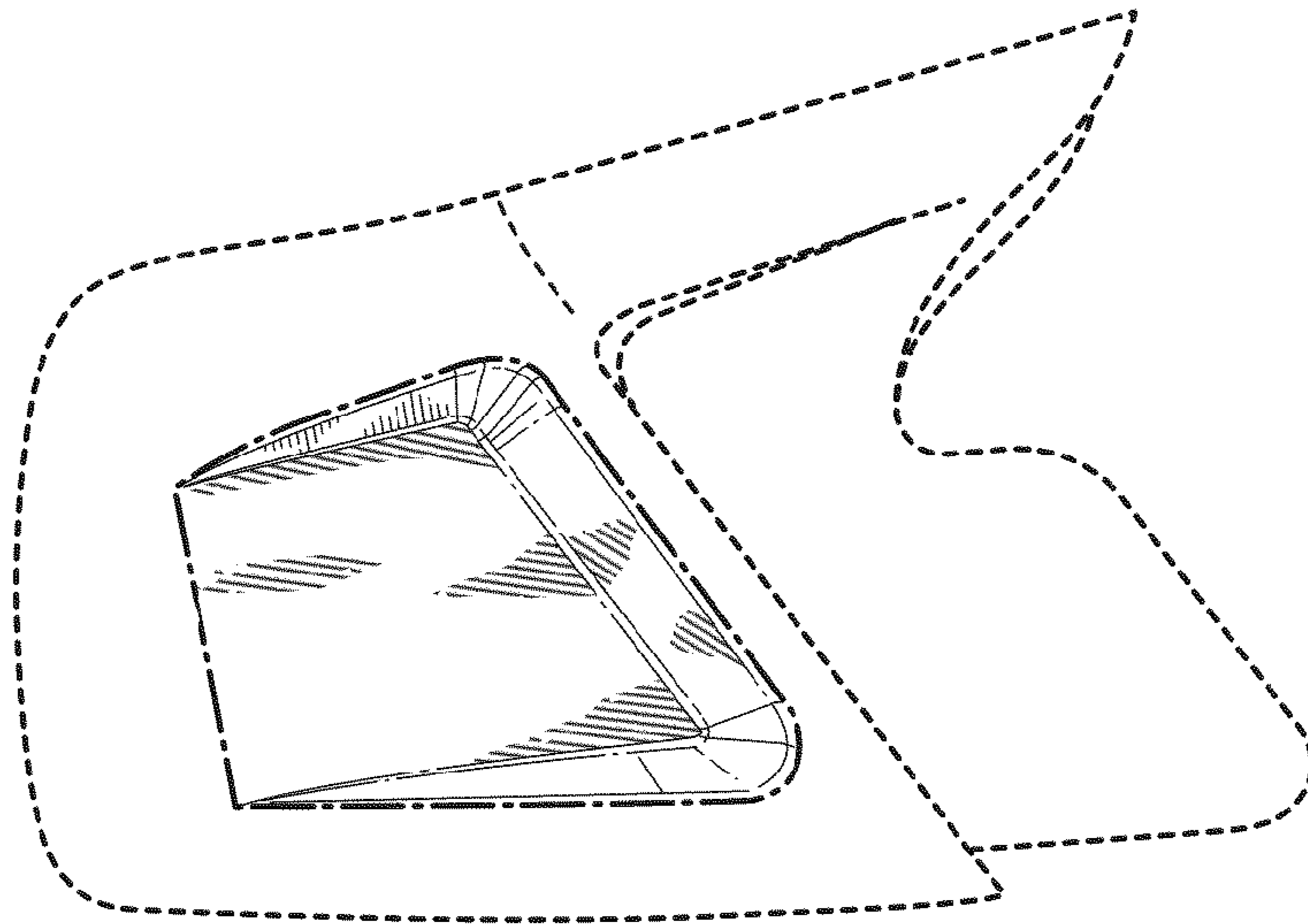


FIG. 2

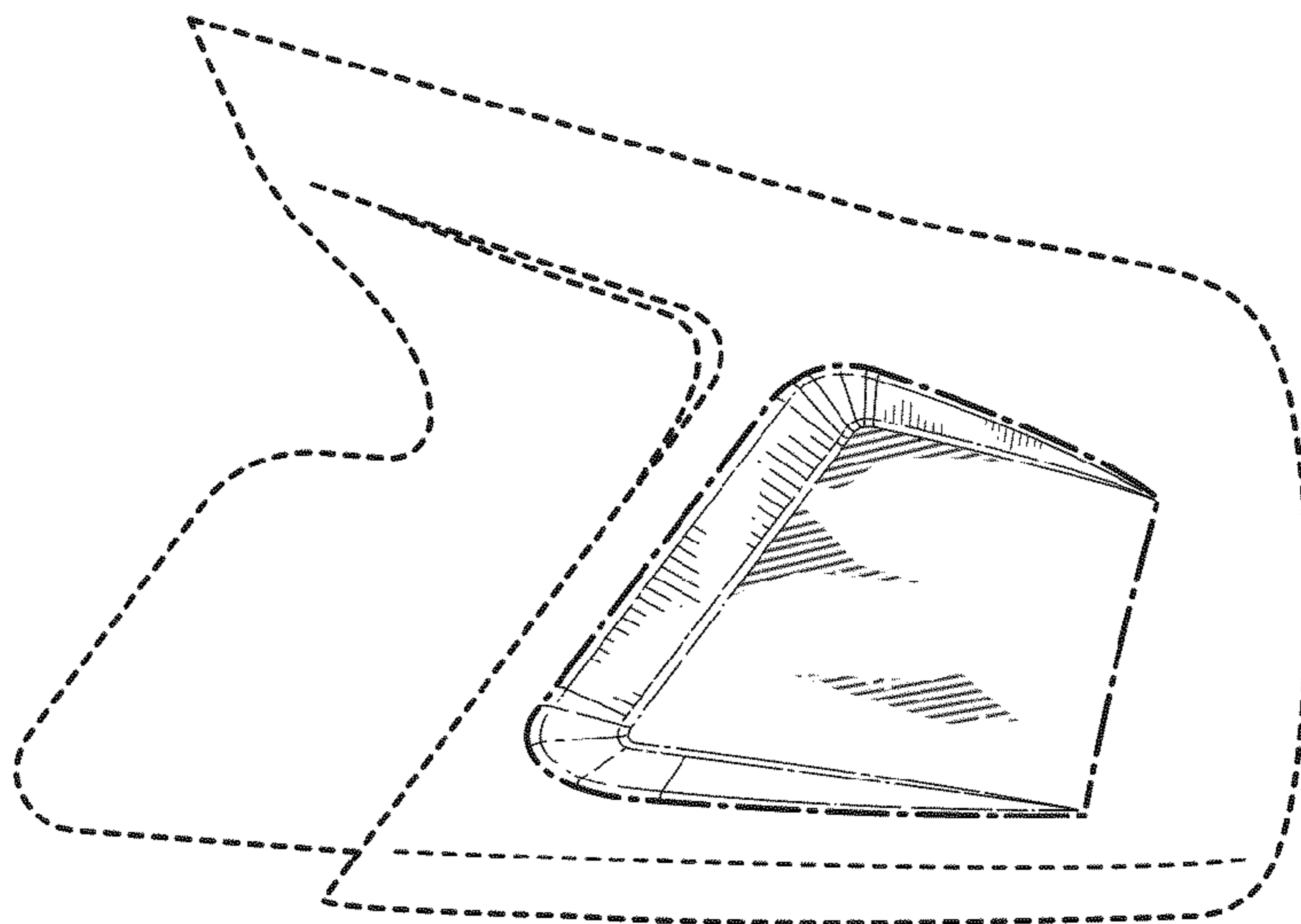


FIG. 3

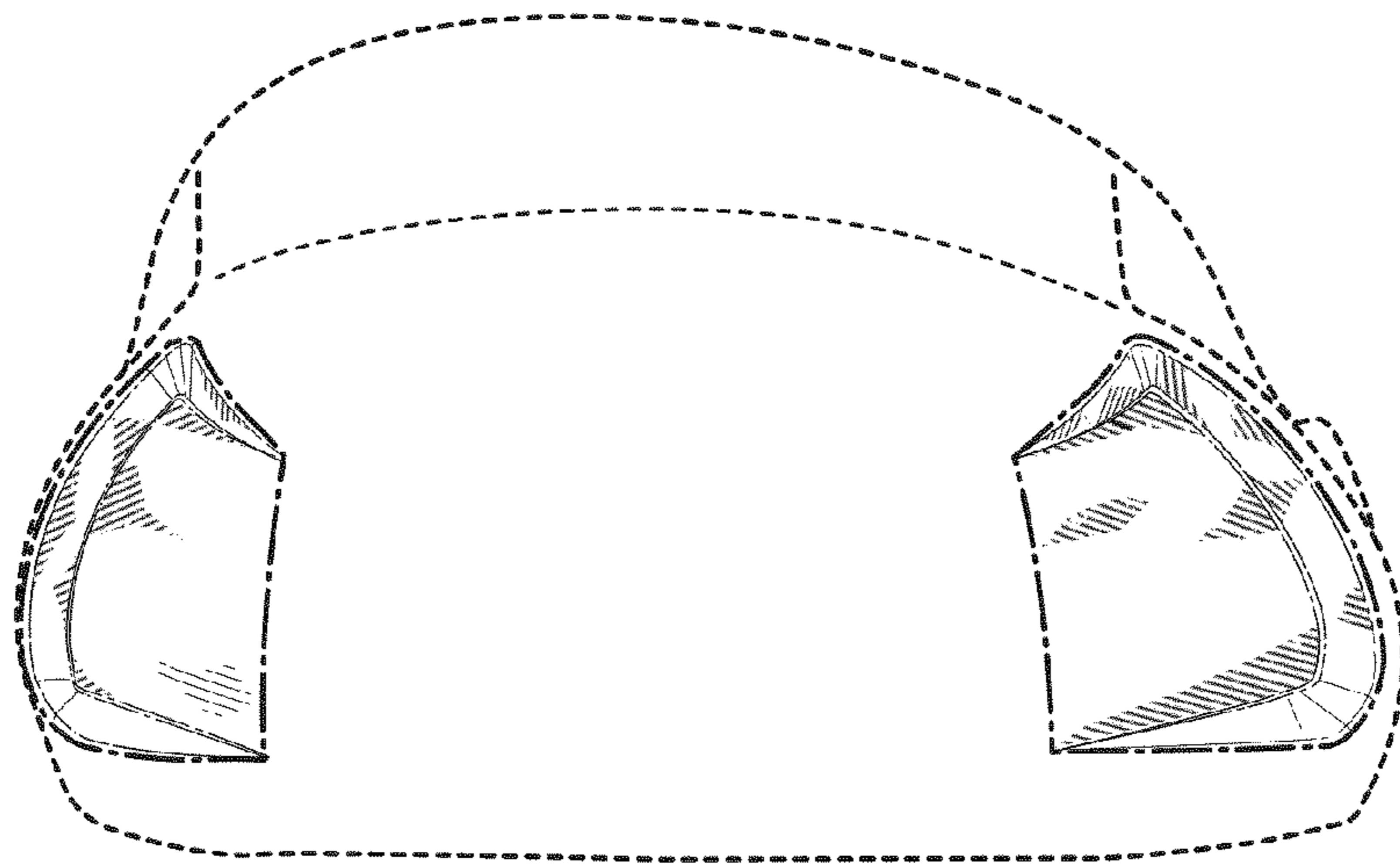


FIG. 4

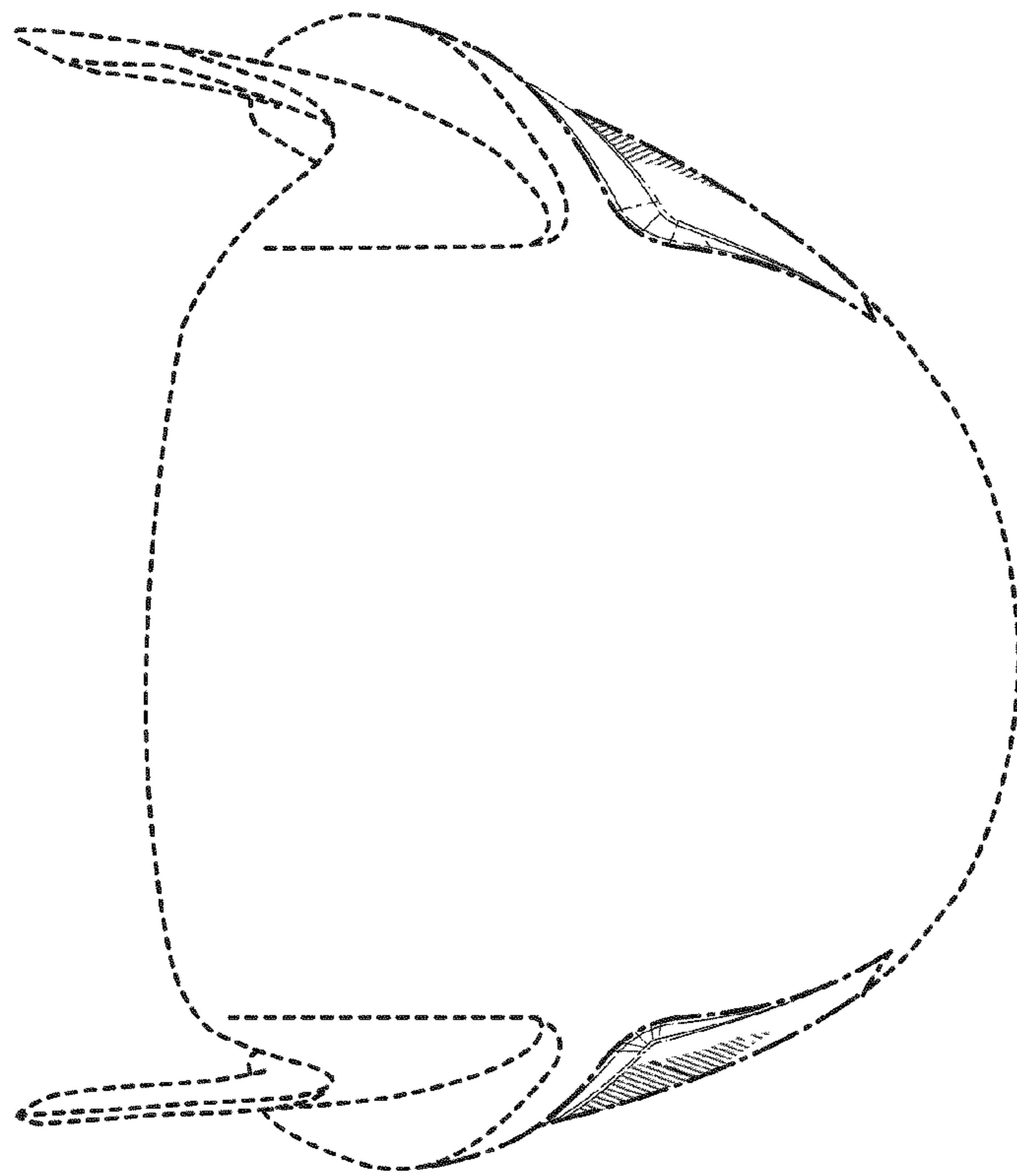


FIG. 5