



US00D654244S

(12) **United States Design Patent**  
**Kessler et al.**

(10) **Patent No.:** **US D654,244 S**

(45) **Date of Patent:** **\*\* Feb. 14, 2012**

(54) **PALLET SUPPORT**

(76) Inventors: **Robert R. Kessler**, Augusta, IL (US);  
**Eric Renteria**, Mediapolis, IA (US)

(\*\*) Term: **14 Years**

(21) Appl. No.: **29/348,731**

(22) Filed: **Feb. 2, 2010**

**Related U.S. Application Data**

(63) Continuation-in-part of application No. 29/305,558,  
filed on Mar. 24, 2008, now Pat. No. Des. 612,566.

(51) **LOC (9) Cl.** ..... **09-08**

(52) **U.S. Cl.** ..... **D34/38**

(58) **Field of Classification Search** ..... D34/38;  
108/51.11, 51.3, 53.1, 53.3, 53.5, 56.1, 573.18;  
206/386, 597, 599, 600

See application file for complete search history.

(56) **References Cited**

**U.S. PATENT DOCUMENTS**

3,940,101	A *	2/1976	Heidelberg	.....	248/346.4
4,509,433	A *	4/1985	Farr	.....	108/52.1
4,960,209	A *	10/1990	Tudor	.....	206/597
D416,782	S *	11/1999	Reinhardt	.....	D8/354
D453,057	S *	1/2002	Sewell	.....	D34/38
6,926,144	B1 *	8/2005	Schnaars et al.	.....	206/386
D547,024	S *	7/2007	Brefka et al.	.....	D34/38
D551,424	S *	9/2007	Meisen et al.	.....	D34/38
D612,566	S *	3/2010	Kessler	.....	D34/38

\* cited by examiner

*Primary Examiner* — Cynthia Ramirez

(74) *Attorney, Agent, or Firm* — Mathew R. P. Perrone, Jr.;  
Brie A. Crawford

(57) **CLAIM**

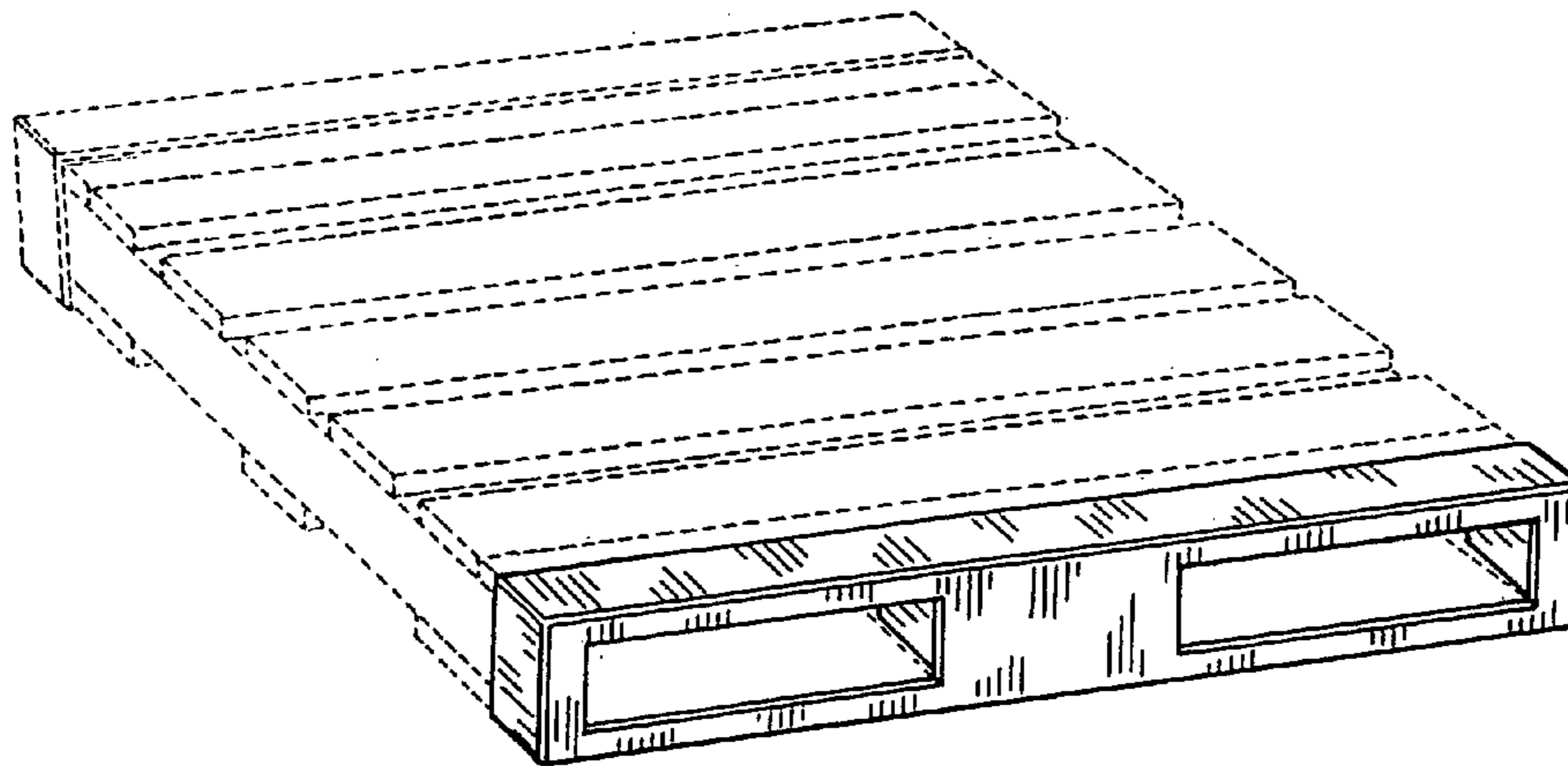
The ornamental design for a pallet support, as shown and described.

**DESCRIPTION**

FIG. 1 is a front perspective view of the first embodiment of a pallet support showing my new design; FIG. 2 is a front elevational view thereof; FIG. 3 is a rear elevational view thereof; FIG. 4 is a top plan view thereof; FIG. 5 is a bottom plan view thereof; FIG. 6 is an end view thereof; FIG. 7 is the other end view thereof; FIG. 8 is a rear perspective view thereof; FIG. 9 is a front perspective view of the second embodiment of a pallet support showing my new design; FIG. 10 is a front elevational view thereof; FIG. 11 is a rear elevational view thereof; FIG. 12 is a top plan view thereof; FIG. 13 is a bottom plan view thereof; FIG. 14 is an end view thereof; FIG. 15 is the other end view thereof; FIG. 16 is a rear perspective view thereof; FIG. 17 is a front perspective view of the third embodiment of a pallet support showing my new design; FIG. 18 is a front elevational view thereof; FIG. 19 is a rear elevational view thereof; FIG. 20 is a top plan view thereof; FIG. 21 is a bottom plan view thereof; FIG. 22 is an end view thereof; FIG. 23 is the other end view thereof; and, FIG. 24 is a rear perspective view thereof.

The broken lines shown in the figures are included for the purpose of illustrating environment and form no part of the claimed design.

**1 Claim, 6 Drawing Sheets**



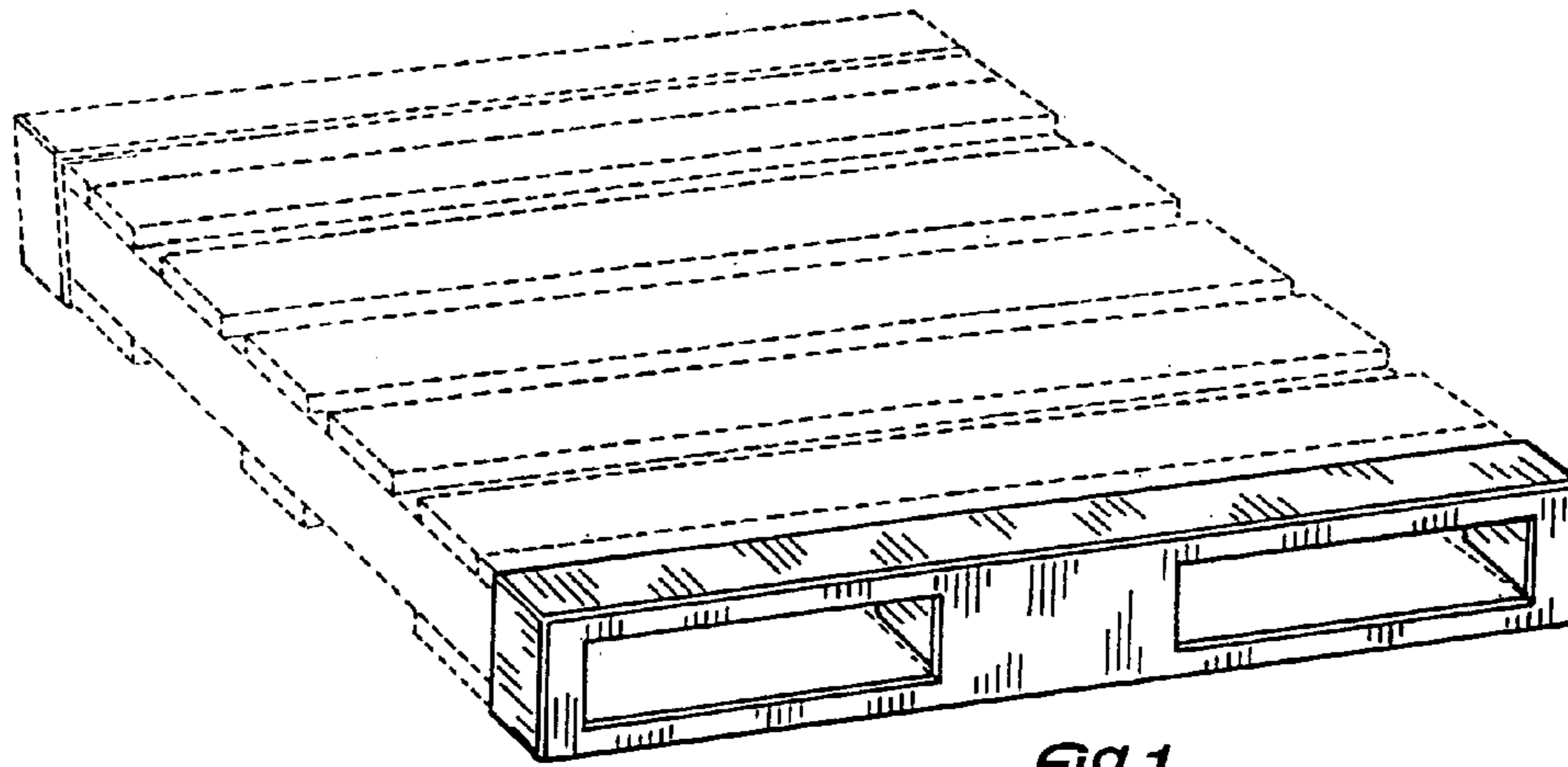


Fig. 1.

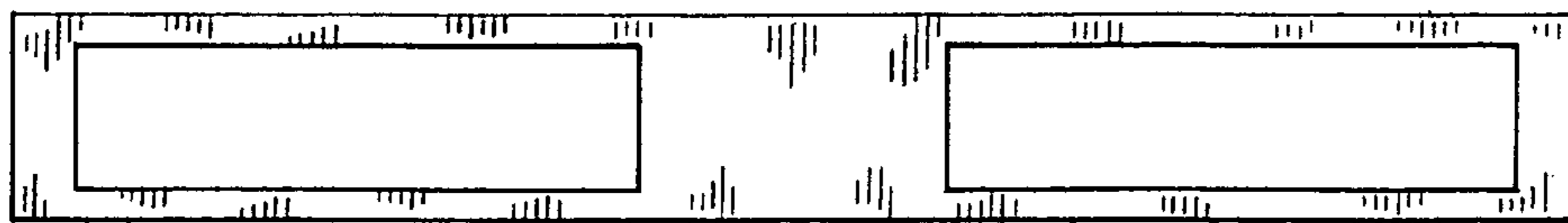


Fig. 2.

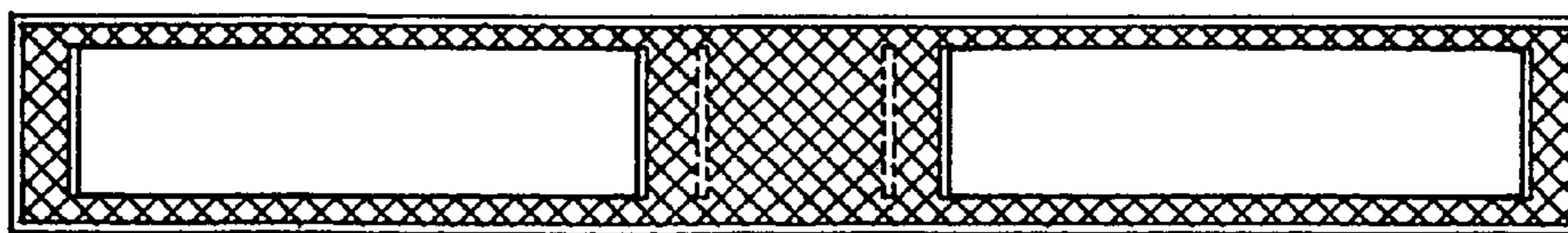
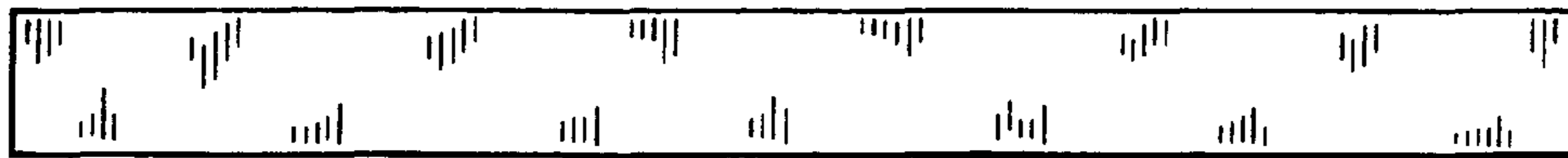
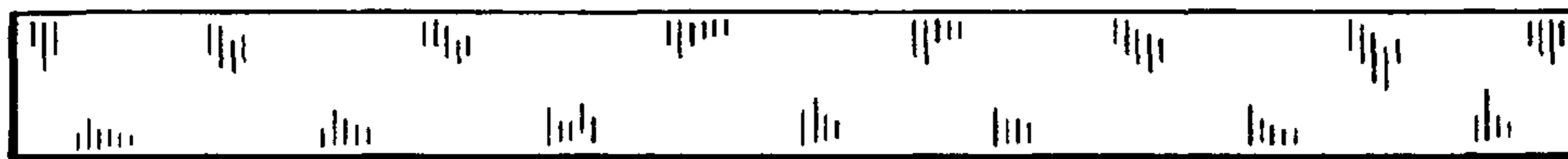


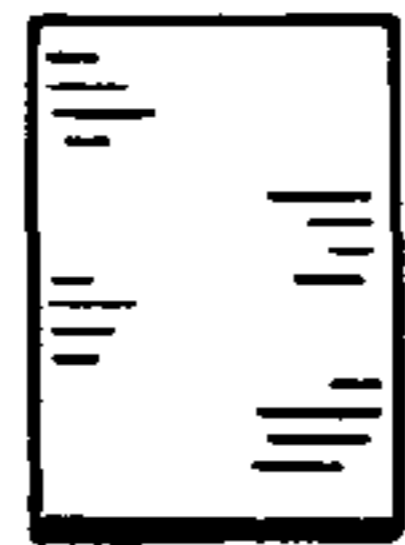
Fig. 3.



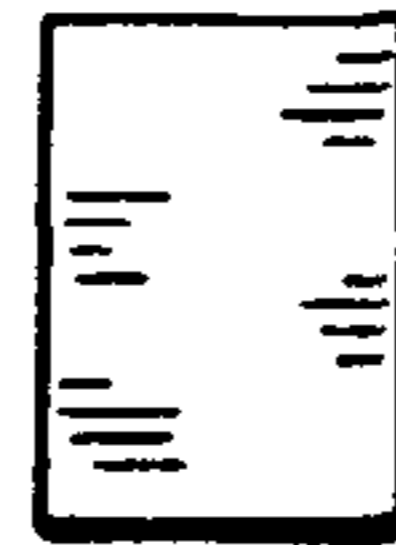
*Fig. 4.*



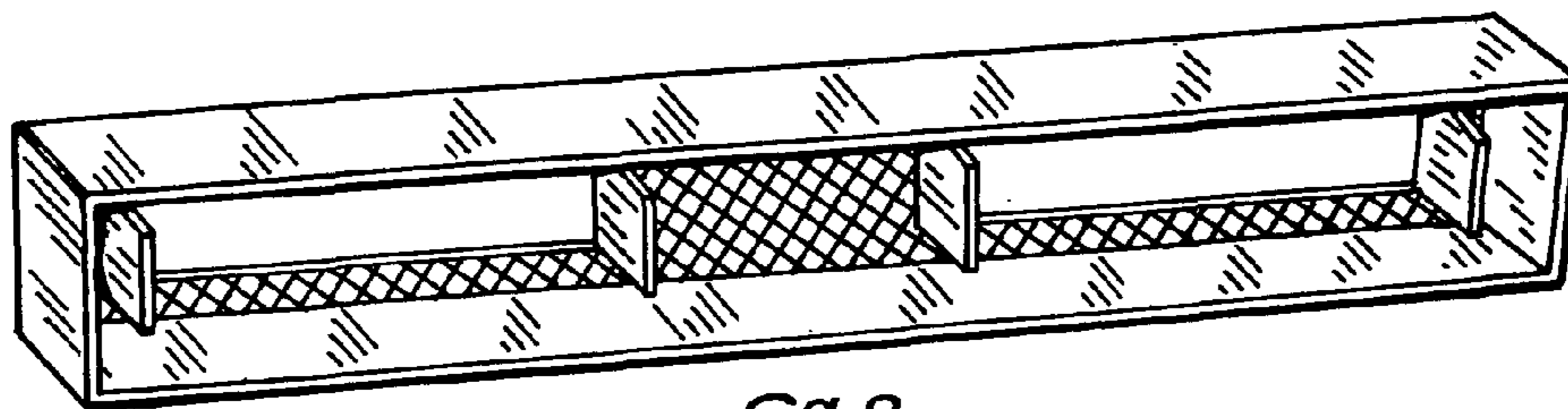
*Fig. 5.*



*Fig. 6.*



*Fig. 7.*



*Fig. 8.*

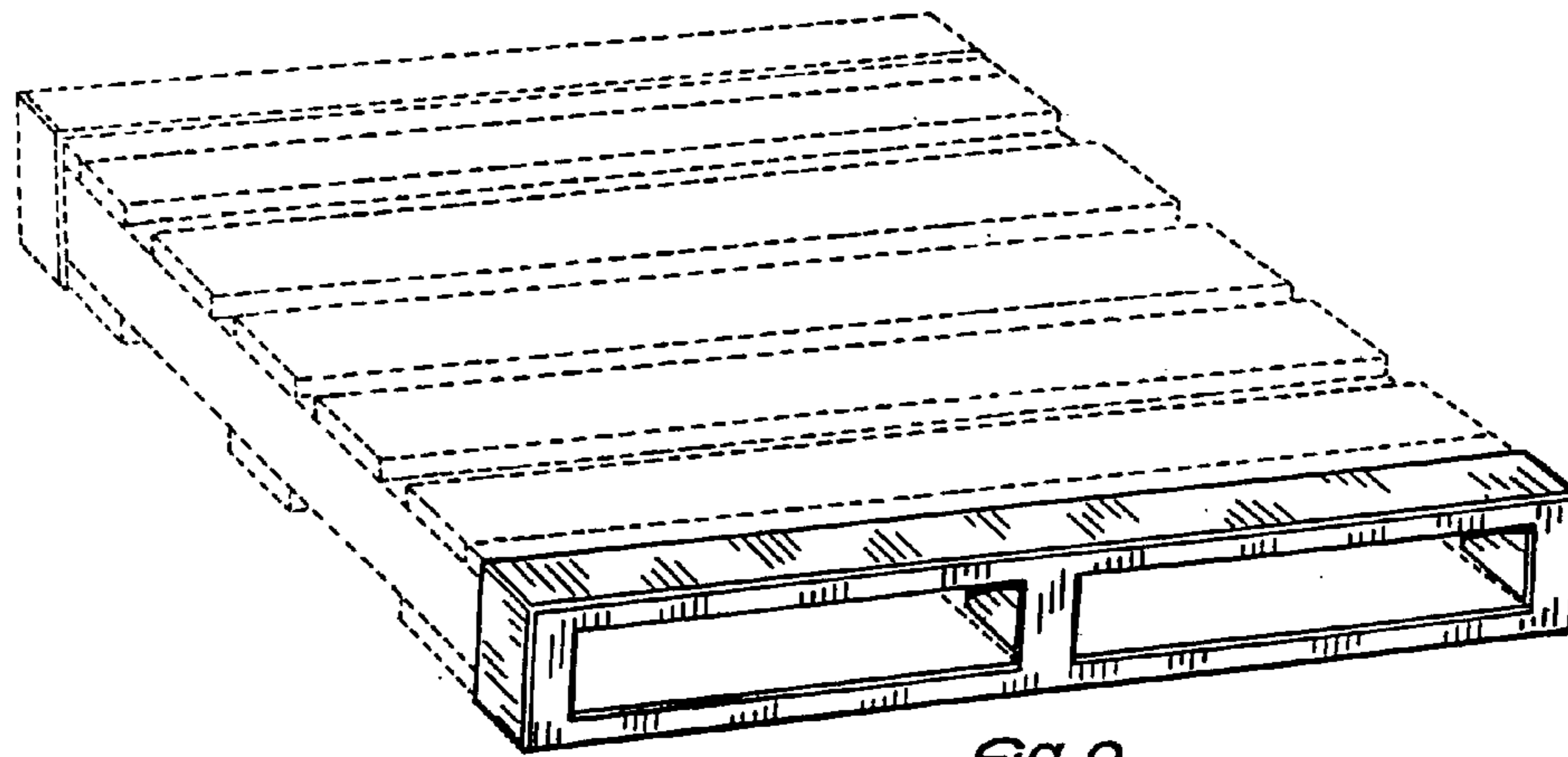


Fig. 9.

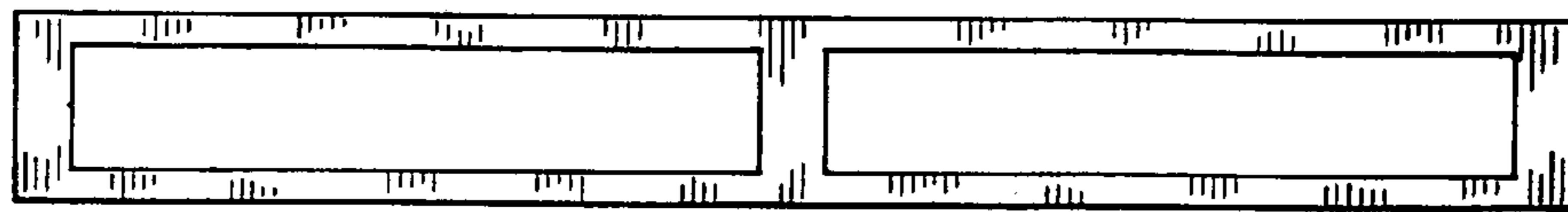


Fig. 10.

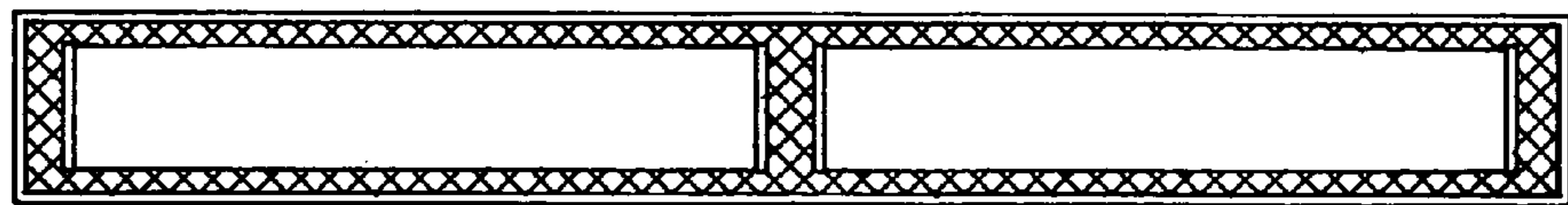


Fig. 11.



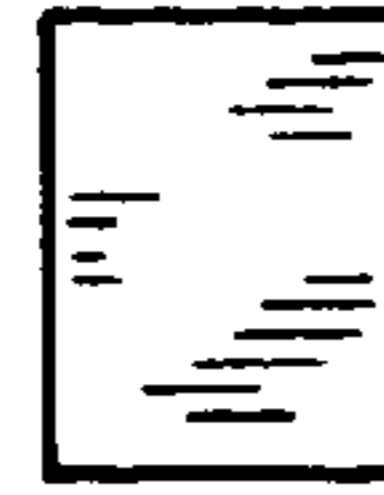
*FIG. 12.*



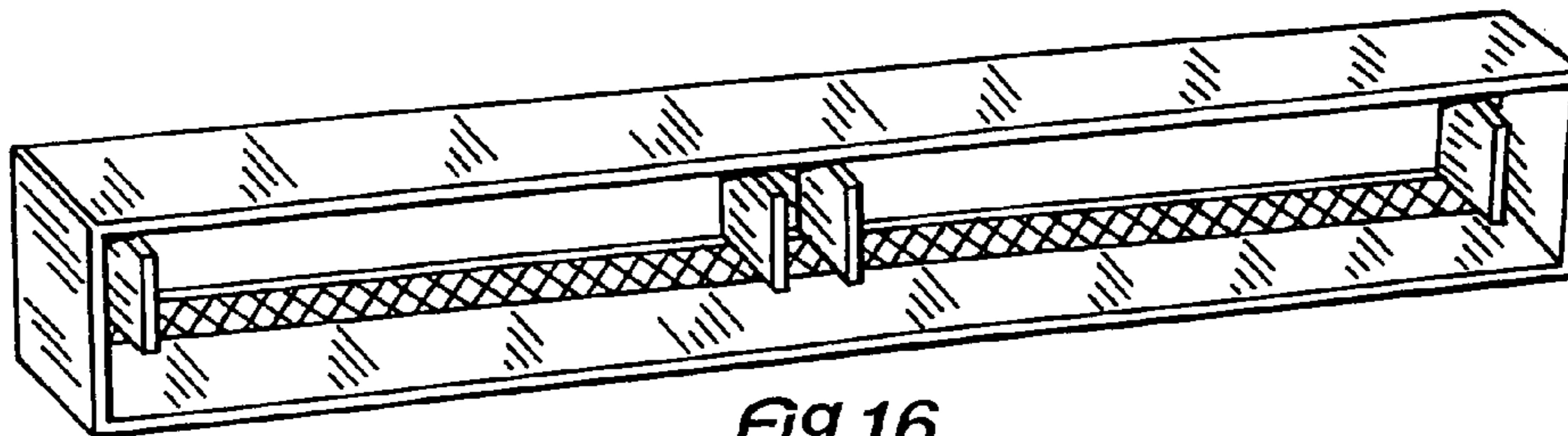
*FIG. 13.*



*FIG. 14.*



*FIG. 15.*



*FIG. 16.*

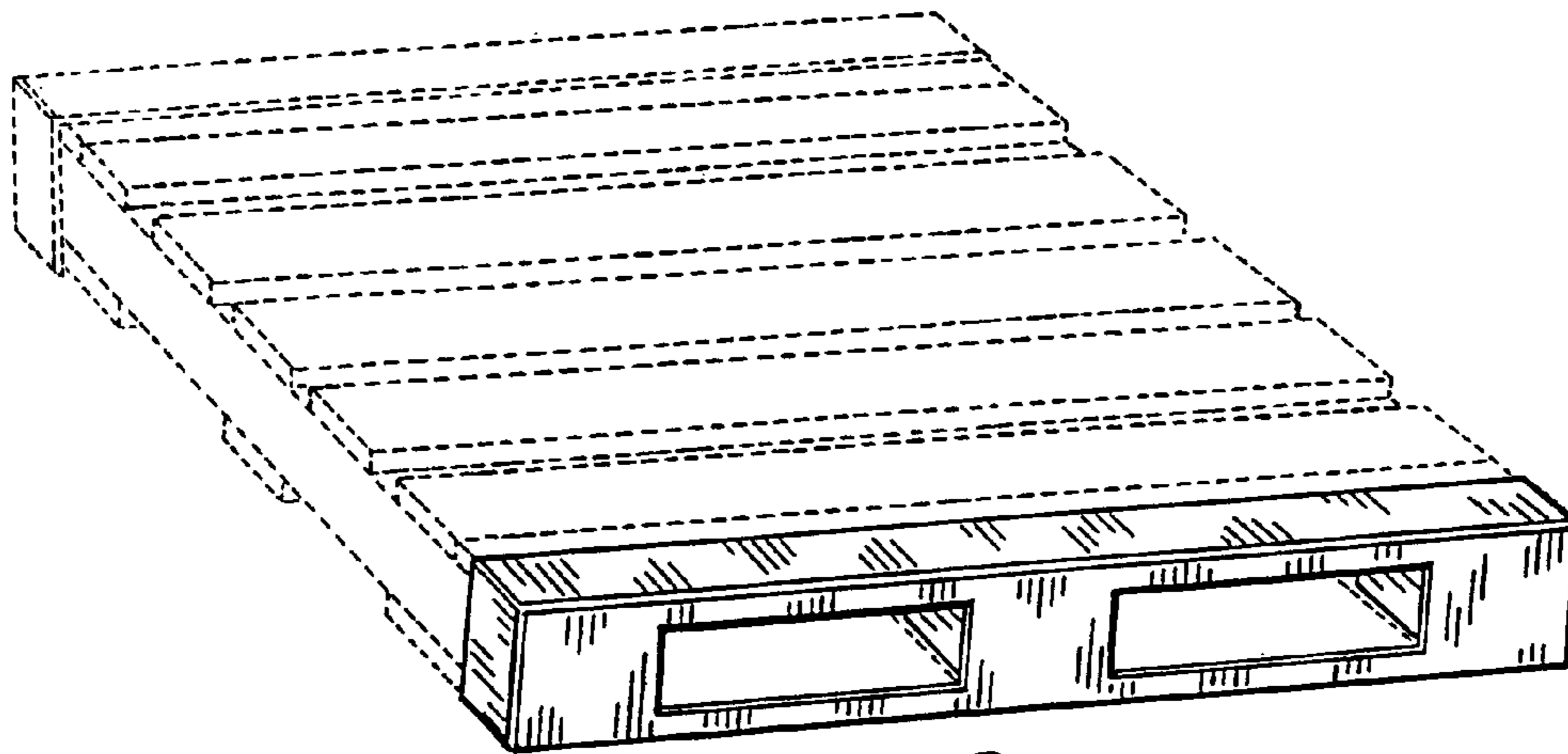


Fig.17.

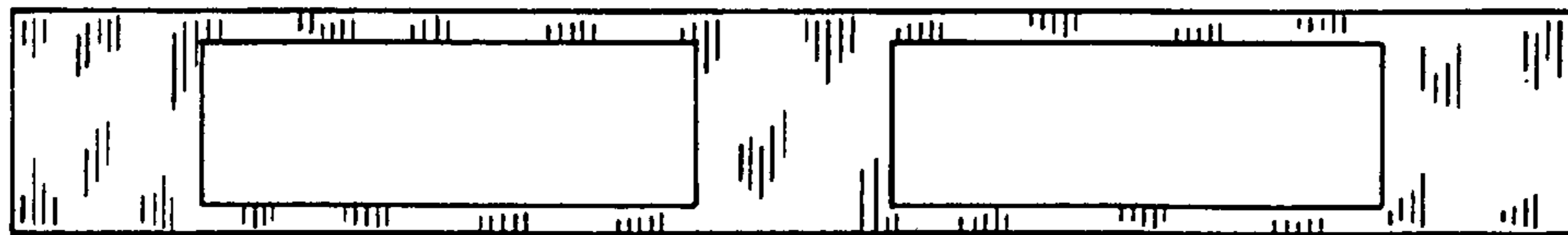


Fig.18.

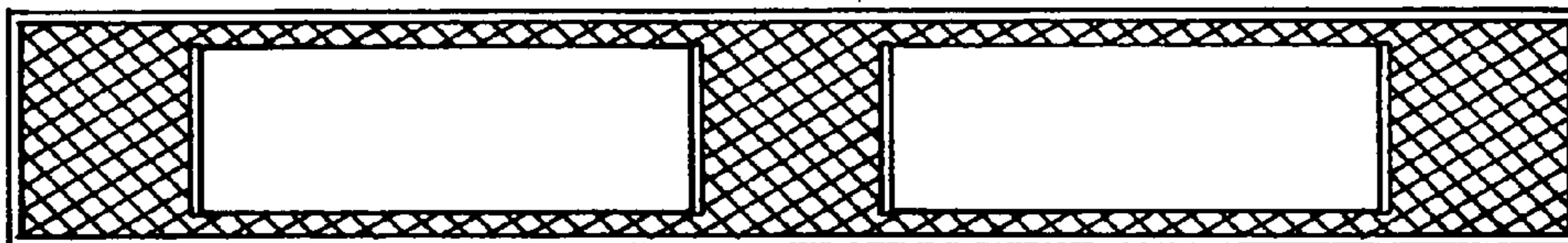
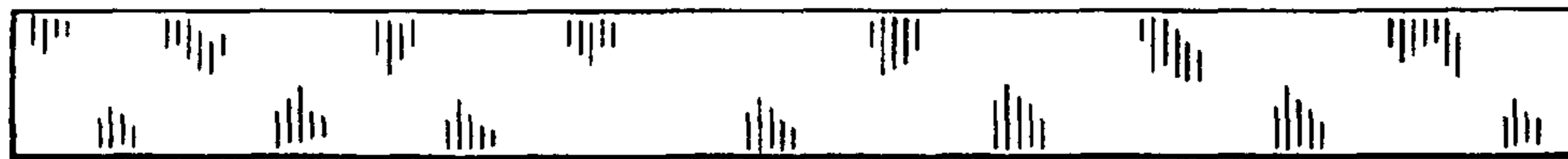
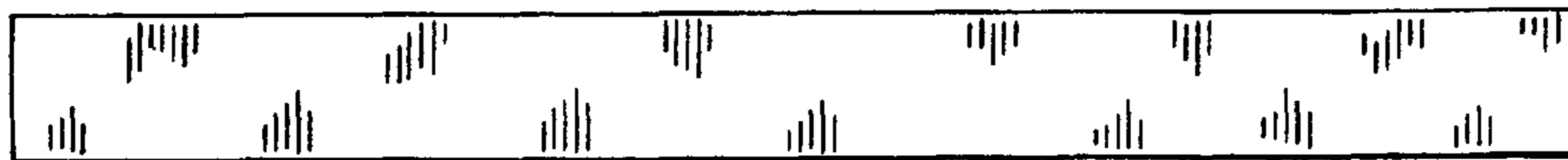


Fig.19.



*Fig. 20.*



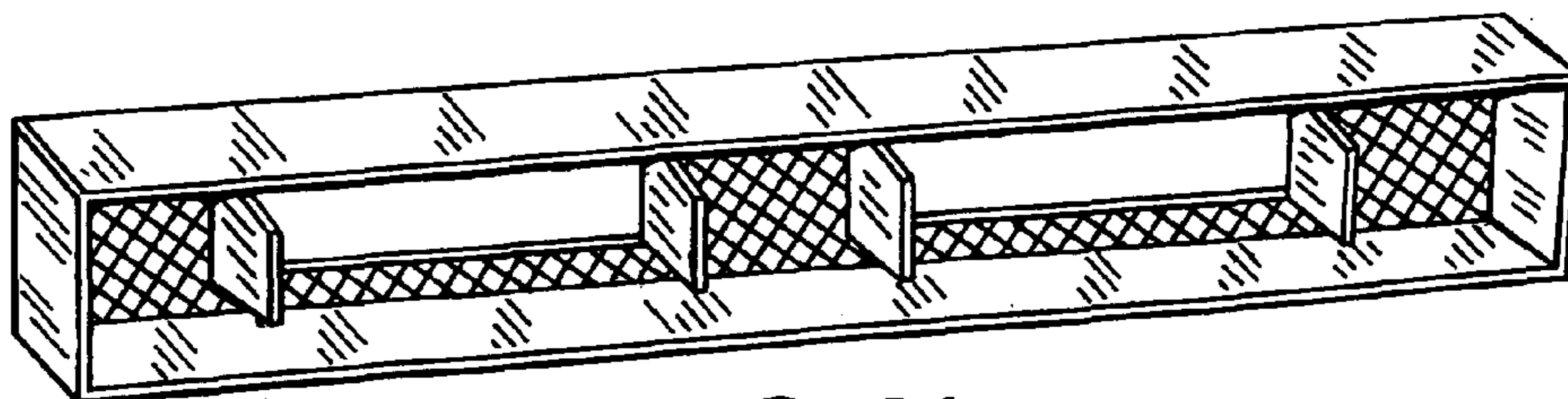
*Fig. 21.*



*Fig. 22.*



*Fig. 23.*



*Fig. 24.*