



US00D654243S

(12) **United States Design Patent**  
**Hancock et al.**

(10) **Patent No.:** **US D654,243 S**

(45) **Date of Patent:** **\*\* Feb. 14, 2012**

(54) **MOUNTING ASSEMBLY FOR AN ARTICLE HOLDER**

(76) Inventors: **Jeffrey D. Hancock**, Uintah, UT (US);  
**Christopher N. Schenck**, Uintah, UT (US)

(\*\*) Term: **14 Years**

(21) Appl. No.: **29/372,098**

(22) Filed: **Oct. 15, 2010**

(51) **LOC (9) Cl.** ..... **12-05**

(52) **U.S. Cl.** ..... **D34/35**

(58) **Field of Classification Search** ..... D34/29,  
D34/35, 28; 198/851, 838, 853, 825; 104/93,  
104/153, 106, 150; 271/99, 10.04, 10.01,  
271/11, 10.11

See application file for complete search history.

(56) **References Cited**

**U.S. PATENT DOCUMENTS**

D209,860	S	*	1/1968	Renfroe	.....	D8/394
4,299,381	A	*	11/1981	Smith	.....	271/96
4,570,543	A	*	2/1986	Ishikura et al.	.....	104/300
D291,138	S	*	7/1987	Arneteg	.....	D34/35
D301,179	S	*	5/1989	Miller	.....	D34/29
5,125,637	A	*	6/1992	Glaser	.....	271/11
D344,389	S	*	2/1994	McDonald et al.	.....	D34/35
D373,883	S	*	9/1996	Dillard	.....	D34/29
D459,047	S	*	6/2002	Tanaka	.....	D34/28

6,616,137	B2	*	9/2003	Kaya et al.	.....	271/101
D549,423	S	*	8/2007	Zimmermann	.....	D34/33
7,252,209	B2	*	8/2007	Julius	.....	221/33
D586,074	S	*	2/2009	Auf der Maur	.....	D34/35

\* cited by examiner

*Primary Examiner* — Cynthia Ramirez

(57) **CLAIM**

The ornamental design for a mounting assembly for an article holder, as shown and described.

**DESCRIPTION**

FIG. 1 is a perspective view taken from one corner of a mounting assembly for an article holder, and showing the mounting assembly supporting an article holder, said article holder being shown in phantom and not claimed herein;

FIG. 2, an exploded view taken from the bottom and one corner;

FIG. 3, a perspective view of the mounting assembly, taken from a corner;

FIG. 4, a similar perspective view, taken from above the corner;

FIG. 5, a top plan view;

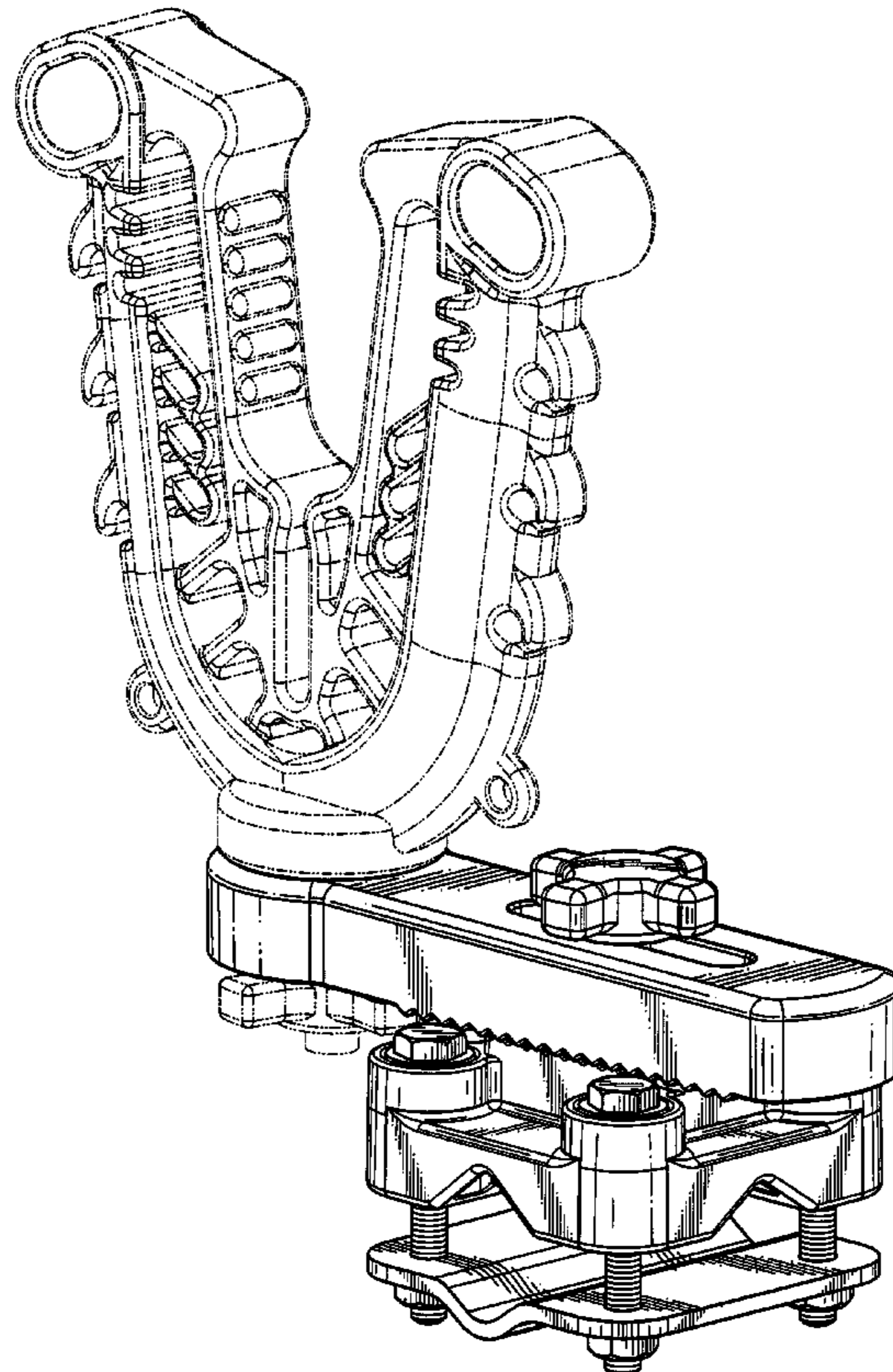
FIG. 6, a side elevation view;

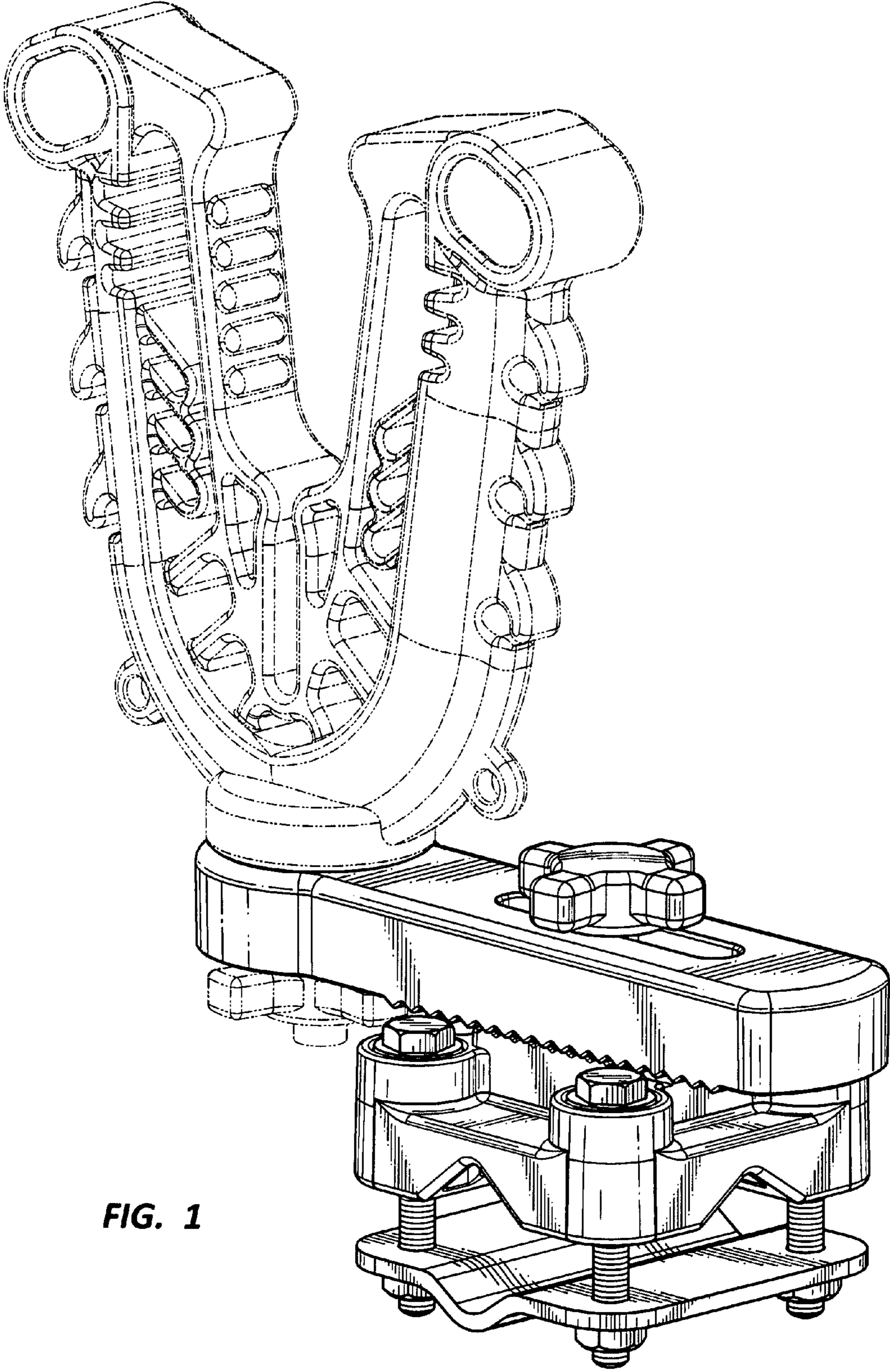
FIG. 7, a bottom plan view;

FIG. 8, a right end elevation view; and,

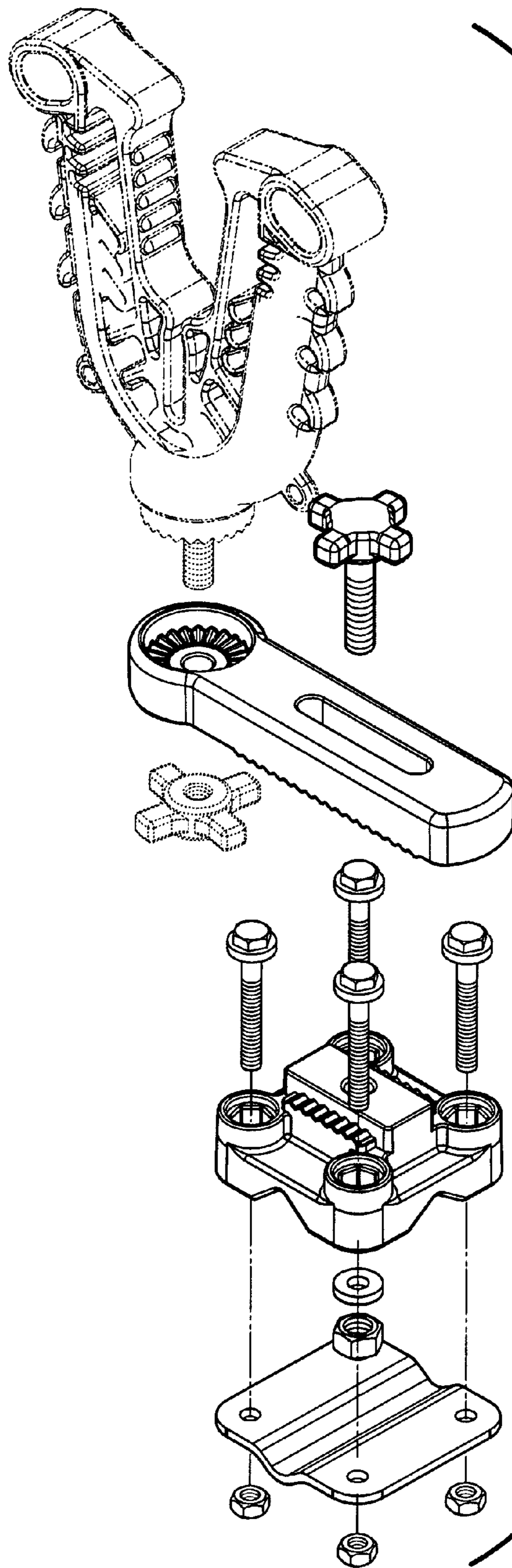
FIG. 9, a left side elevation view.

**1 Claim, 5 Drawing Sheets**

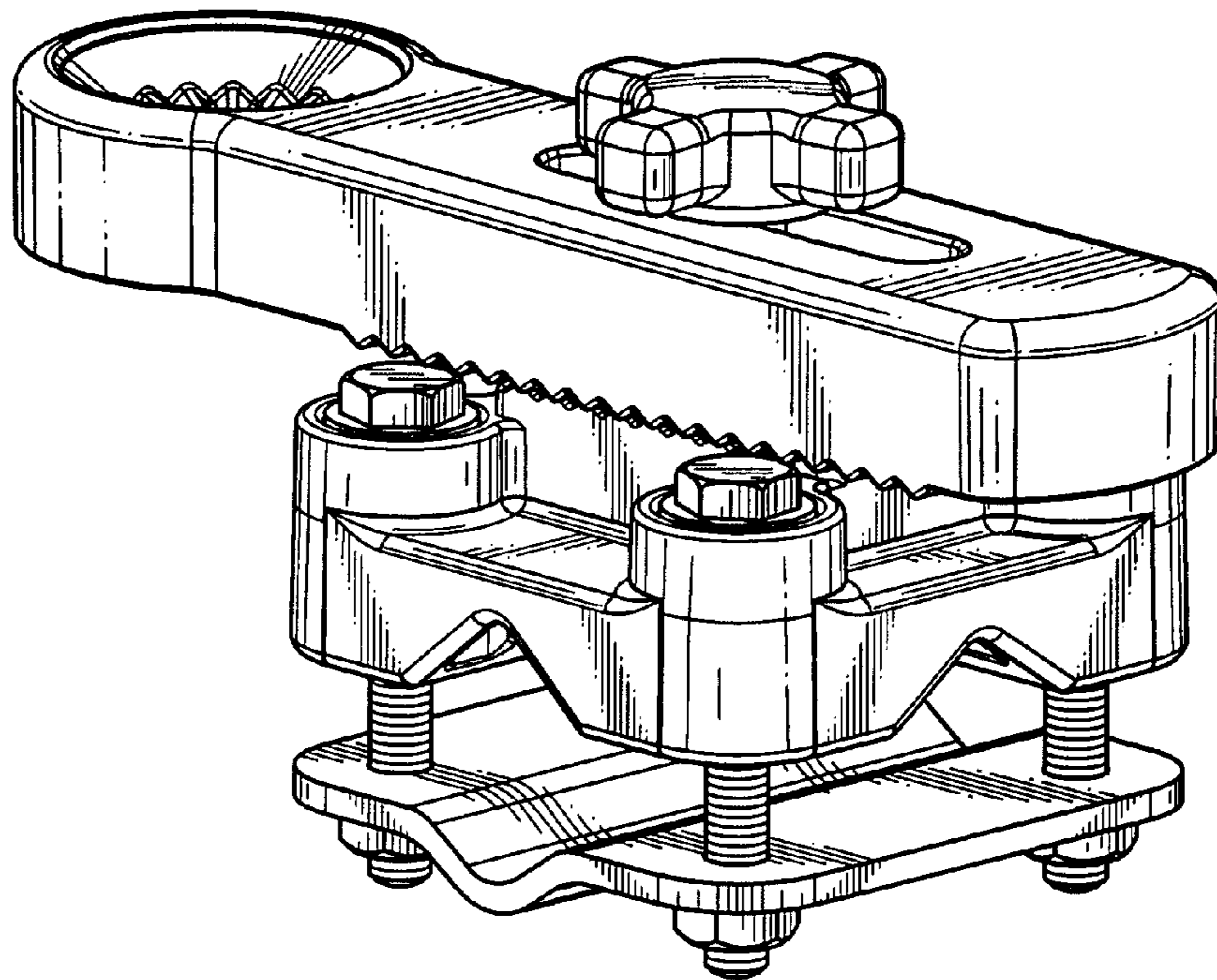




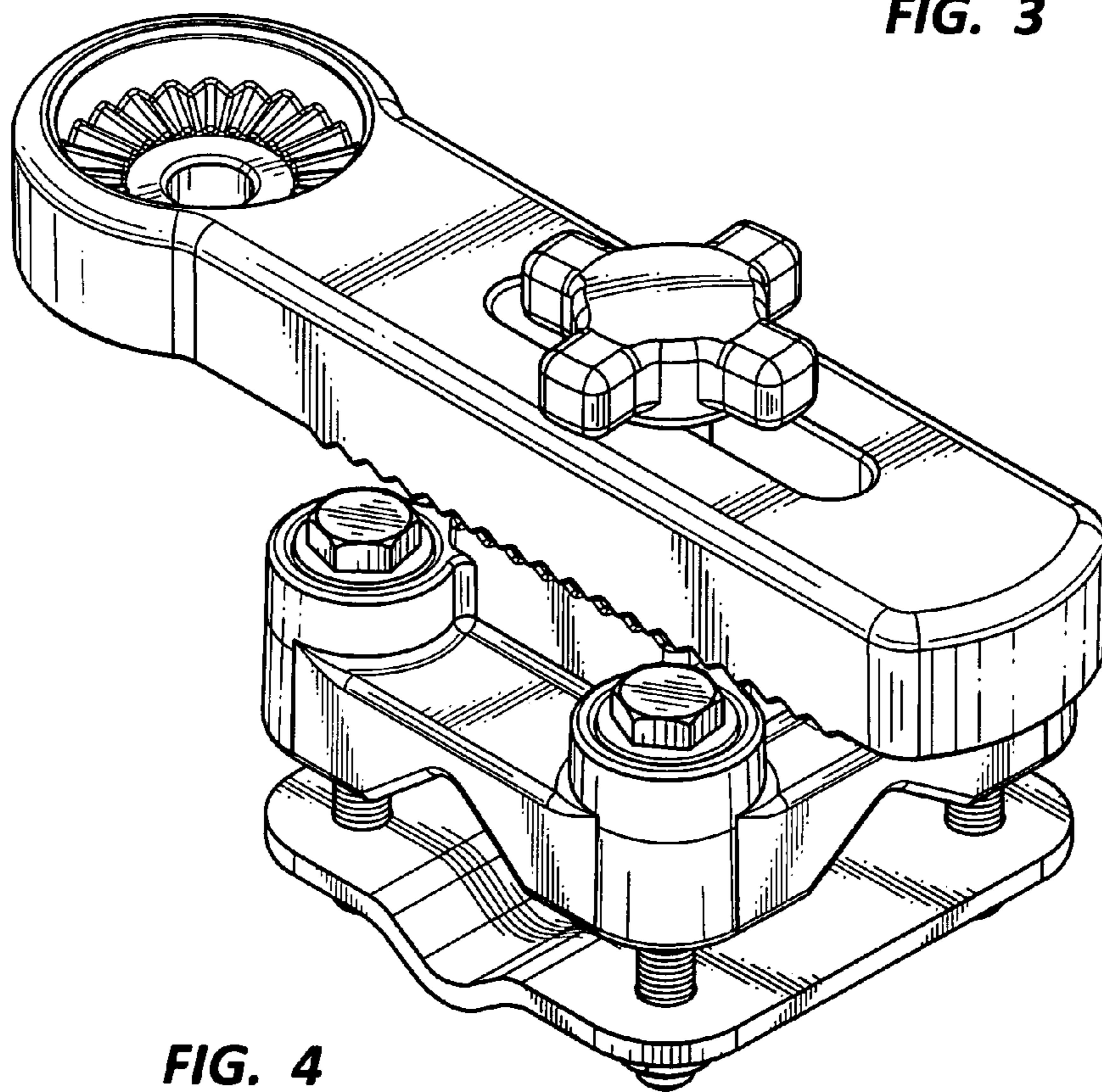
**FIG. 1**



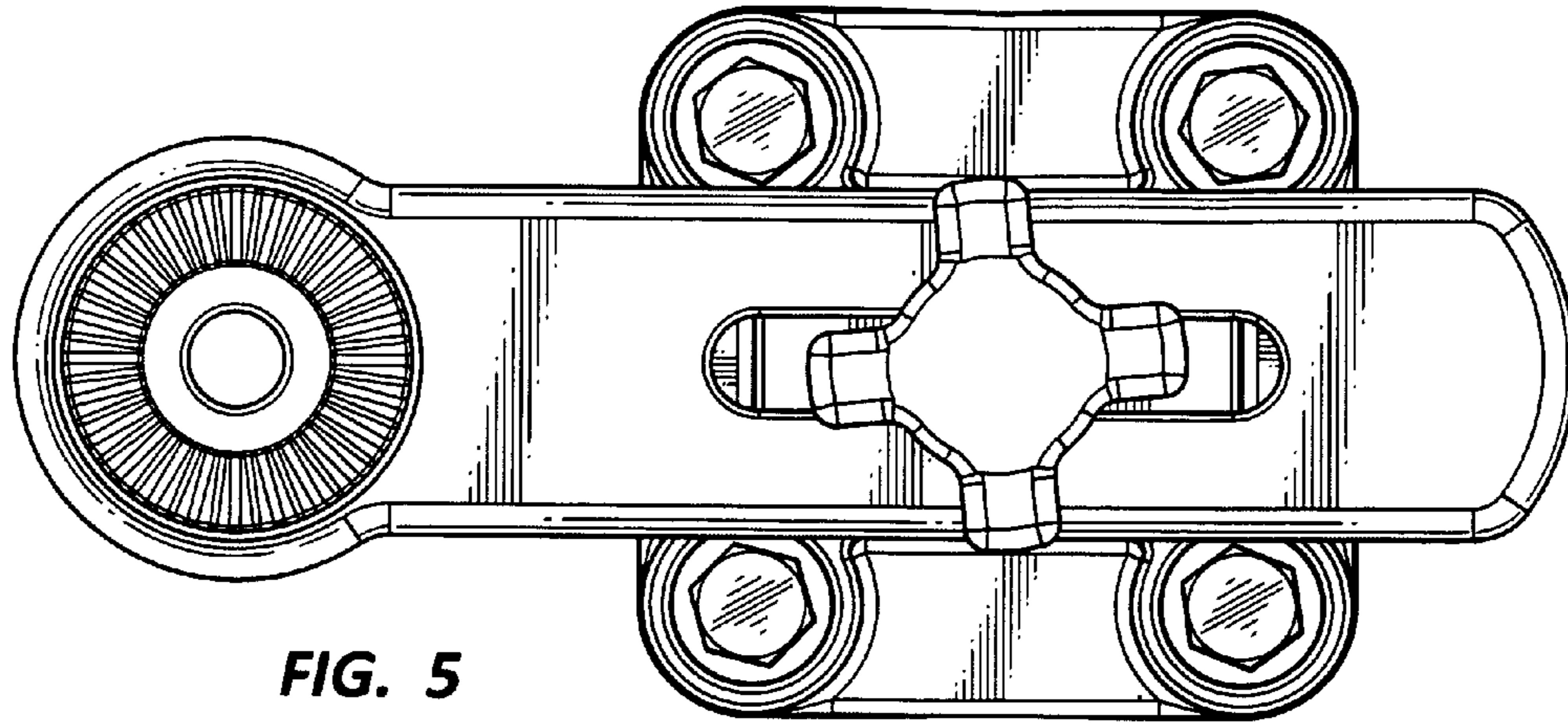
**FIG. 2**



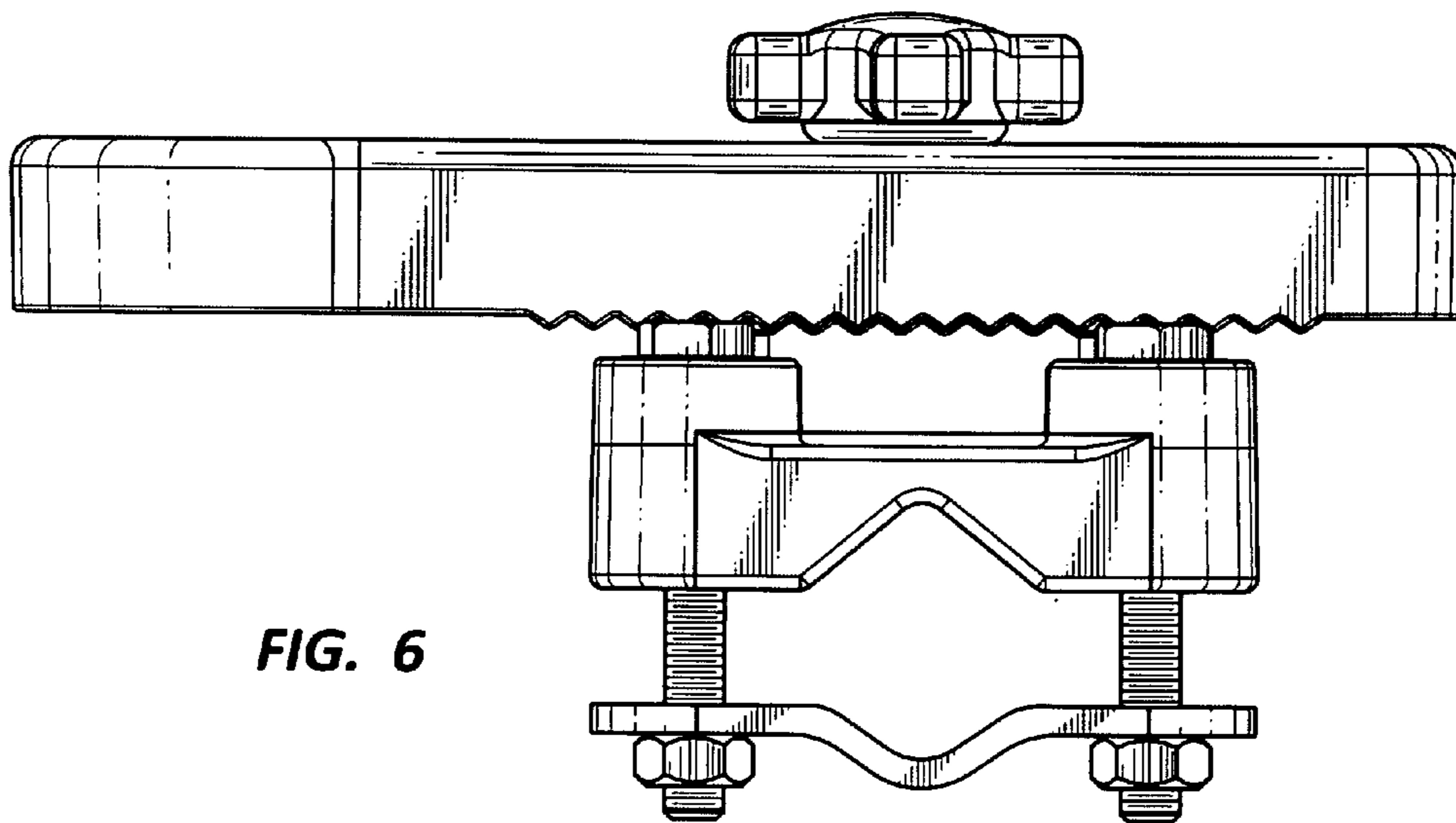
**FIG. 3**



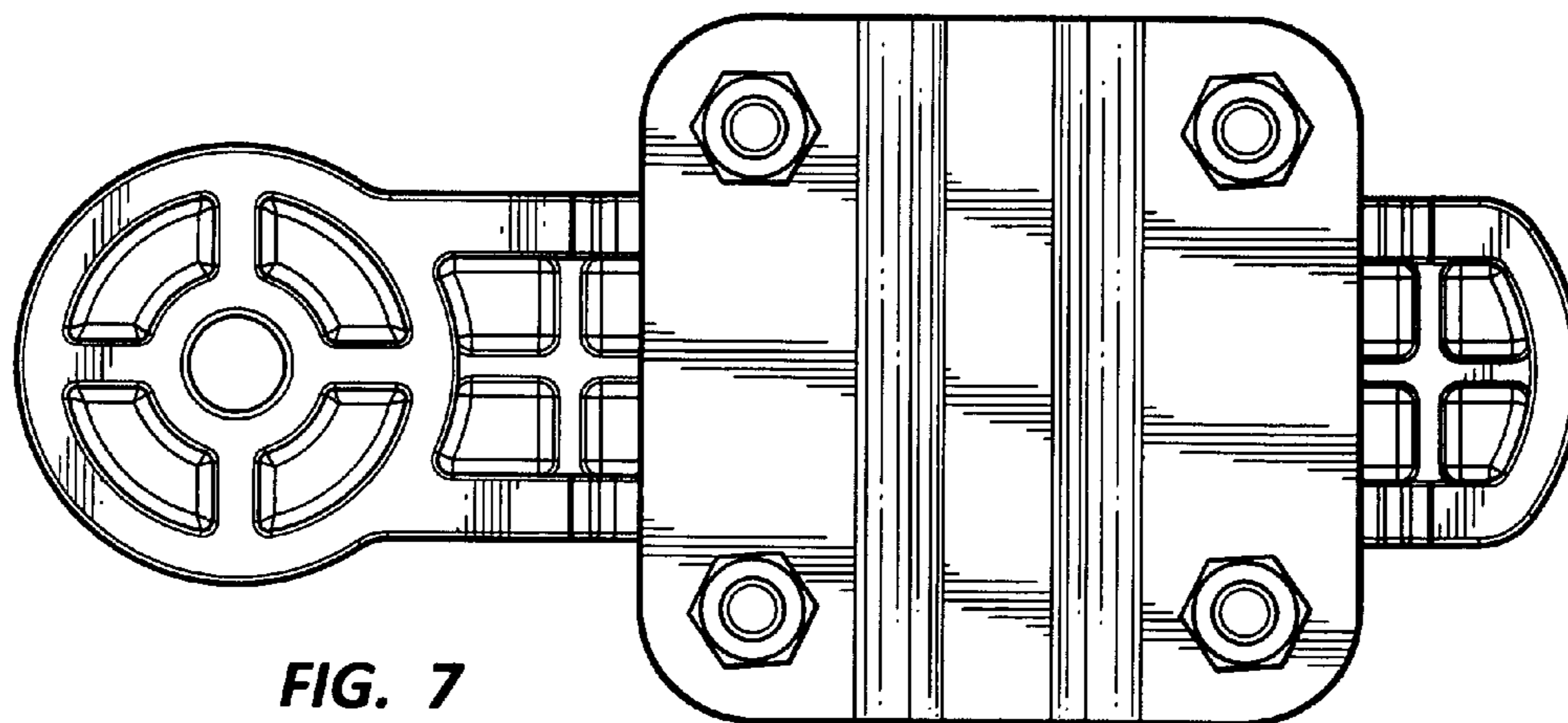
**FIG. 4**



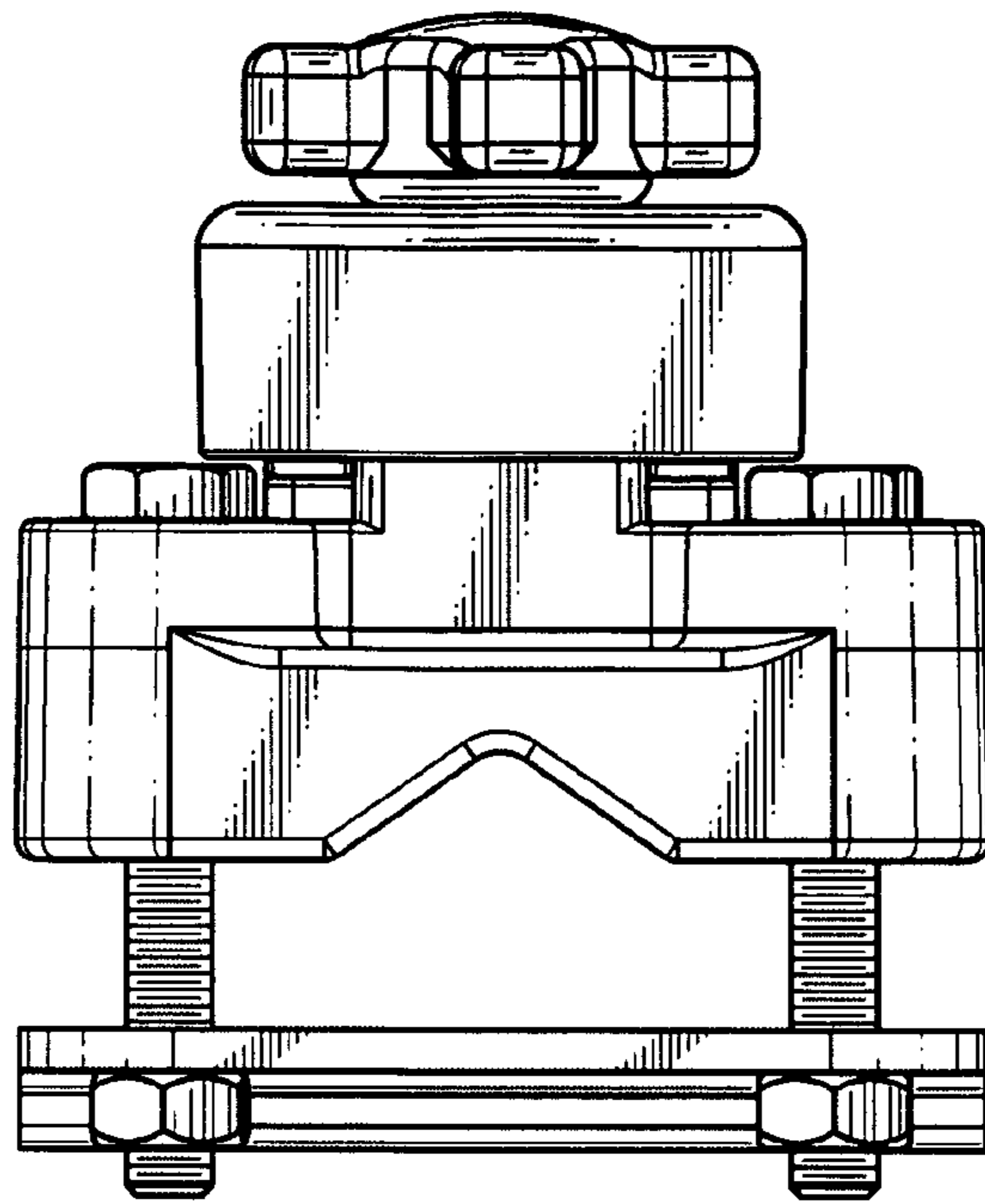
**FIG. 5**



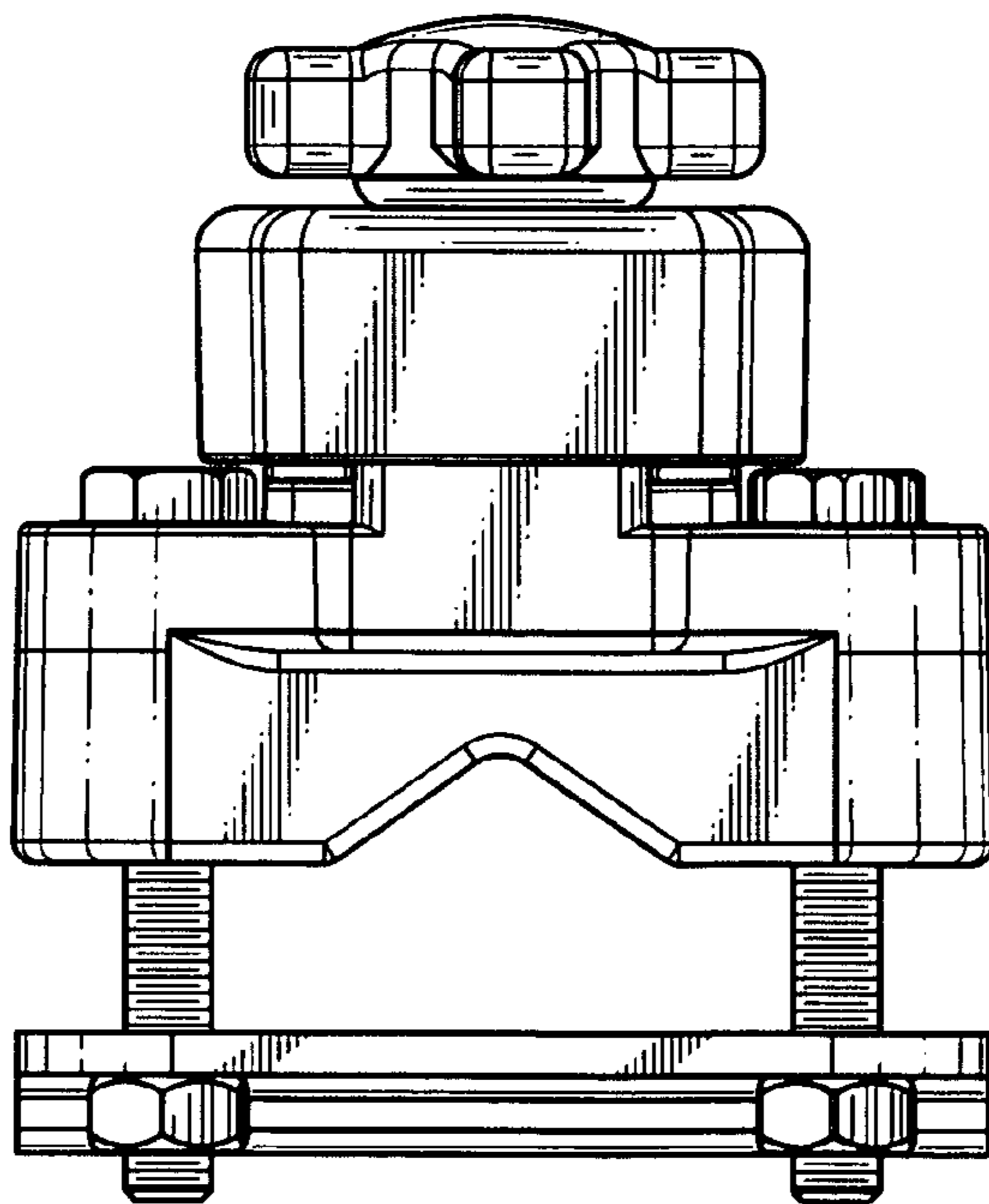
**FIG. 6**



**FIG. 7**



**FIG. 8**



**FIG. 9**