



US00D654241S

(12) **United States Design Patent**
Vilkomirski et al.

(10) **Patent No.:** **US D654,241 S**
(45) **Date of Patent:** **** Feb. 14, 2012**

(54) **STORAGE SYSTEM FRAME**

(75) Inventors: **Gil Vilkomirski**, Ein Vered (IL); **Zvika Fraiman**, Havazalet Hasharon (IL)

(73) Assignee: **The Stanley Works Israel Ltd.**, Rosh Ha' Ayin (IL)

(**) Term: **14 Years**

(21) Appl. No.: **29/388,802**

(22) Filed: **Apr. 1, 2011**

(51) **LOC (9) Cl.** **12-02**

(52) **U.S. Cl.** **D34/26**

(58) **Field of Classification Search** D34/12-27;
280/47.24, 47.17, 47.19, 47.26, 47.34, 47.35,
280/49.3, 79.6; D3/279, 276, 905; 312/108
See application file for complete search history.

(56) **References Cited**

U.S. PATENT DOCUMENTS

4,917,401	A *	4/1990	Iwaki	280/655
5,464,244	A *	11/1995	Tsai	280/655
5,931,484	A *	8/1999	Jones et al.	280/47.24
5,941,543	A *	8/1999	Kazmark, Jr.	280/47.29
5,951,037	A *	9/1999	Hsieh et al.	280/655
D593,722	S *	6/2009	Hailston	D34/27
7,686,260	B1 *	3/2010	Tetradis	248/98
D622,471	S *	8/2010	Hernandez	D34/12
2005/0087943	A1 *	4/2005	Babkes et al.	280/30

* cited by examiner

Primary Examiner — Cynthia Ramirez

(74) *Attorney, Agent, or Firm* — Pillsbury Winthrop Shaw Pittman LLP

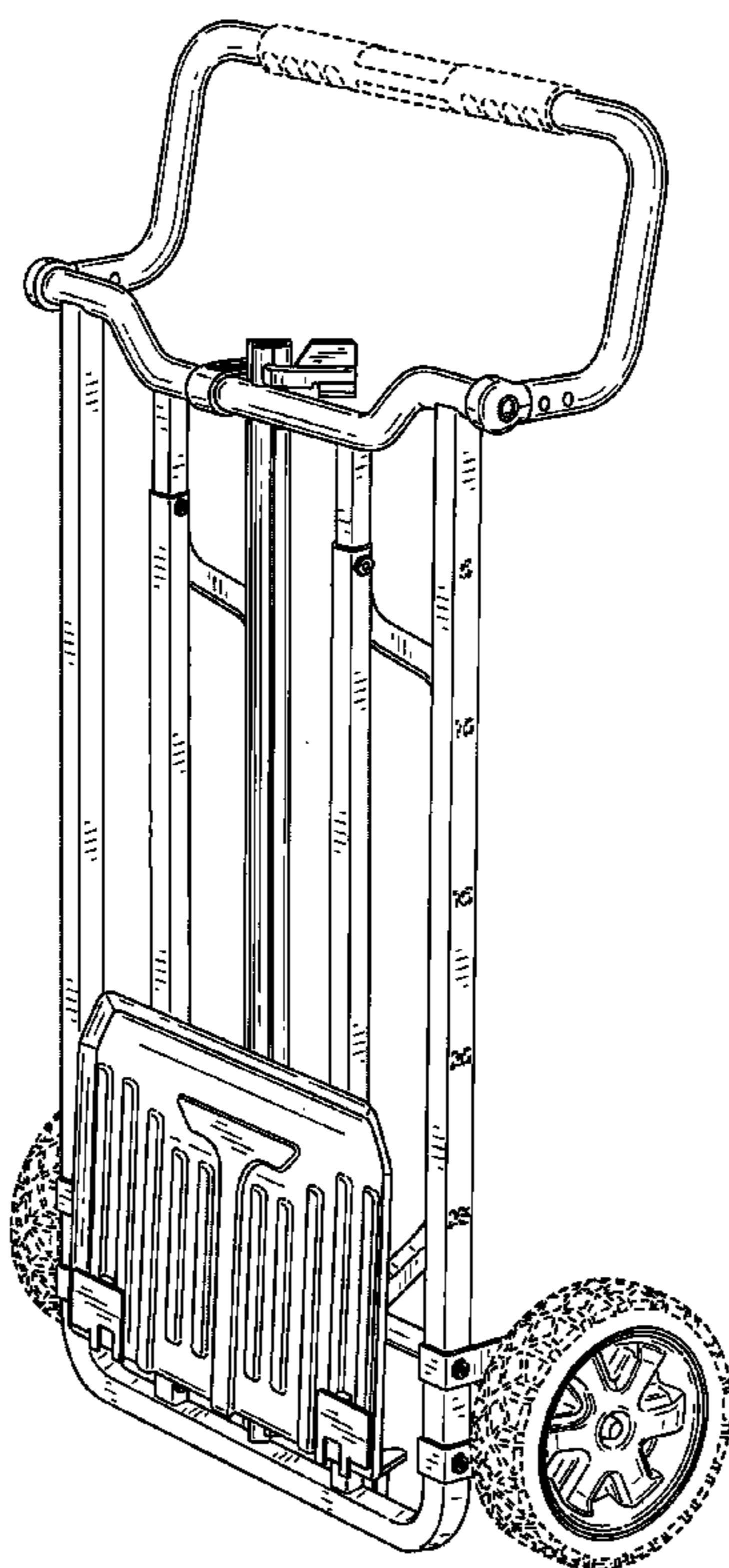
(57) **CLAIM**

The ornamental design for a storage system frame, as shown and described.

DESCRIPTION

FIG. 1 is an isometric view of a storage system frame according to our design;
FIG. 2 is a front elevational view thereof;
FIG. 3 is a rear elevational view thereof;
FIG. 4 is a left side elevational view thereof;
FIG. 5 is a right side elevational view thereof;
FIG. 6 is a top plan view thereof;
FIG. 7 is a bottom plan view thereof;
FIG. 8 is an isometric view of the storage system frame shown in an alternate position;
FIG. 9 is a front elevational view thereof;
FIG. 10 is a rear elevational view thereof;
FIG. 11 is a left side elevational view thereof;
FIG. 12 is a right side elevational view thereof;
FIG. 13 is a top plan view thereof; and,
FIG. 14 is a bottom plan view thereof.
Where included, broken lines showing environment or structure are for illustrative purposes only and form no part of the claimed design.

1 Claim, 11 Drawing Sheets



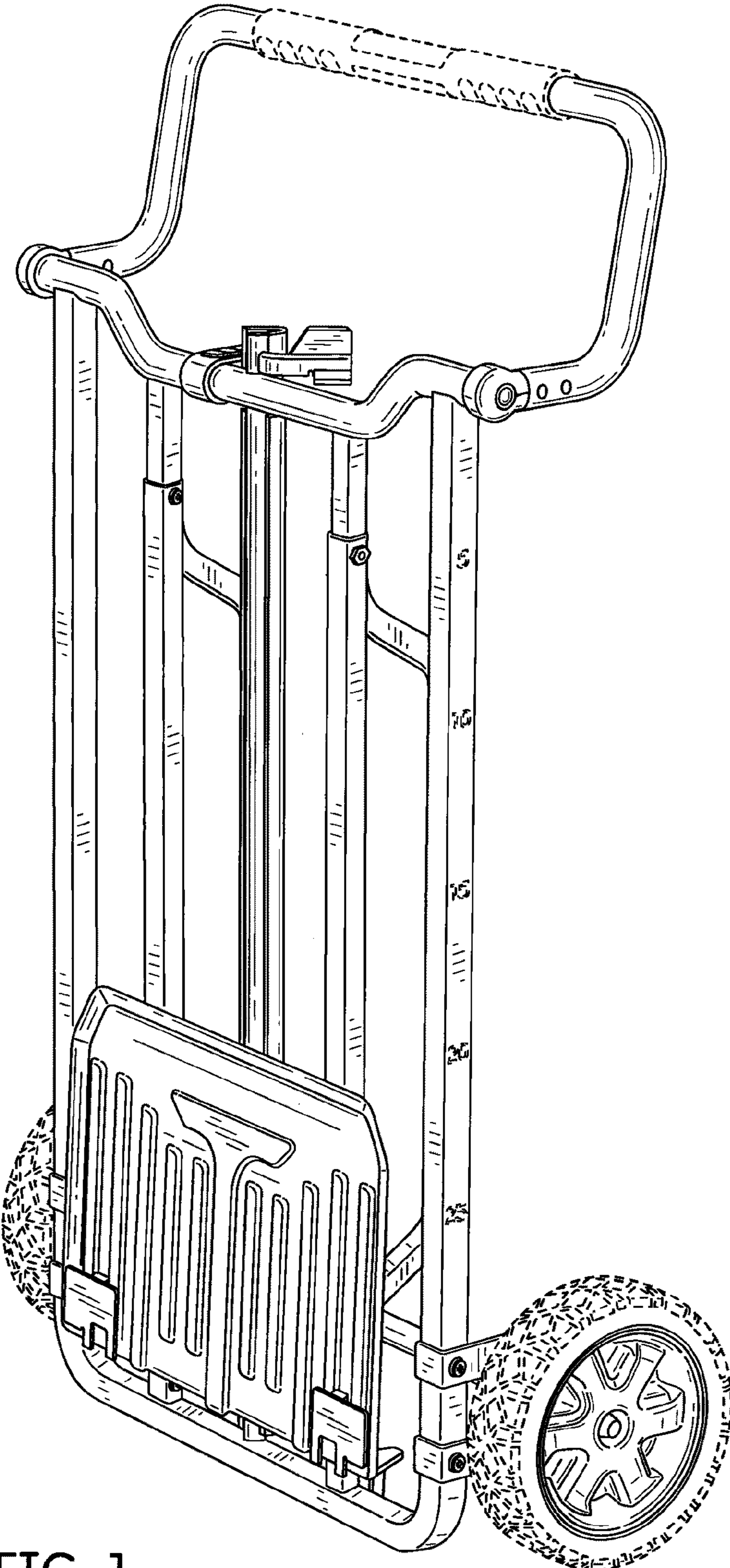


FIG. 1

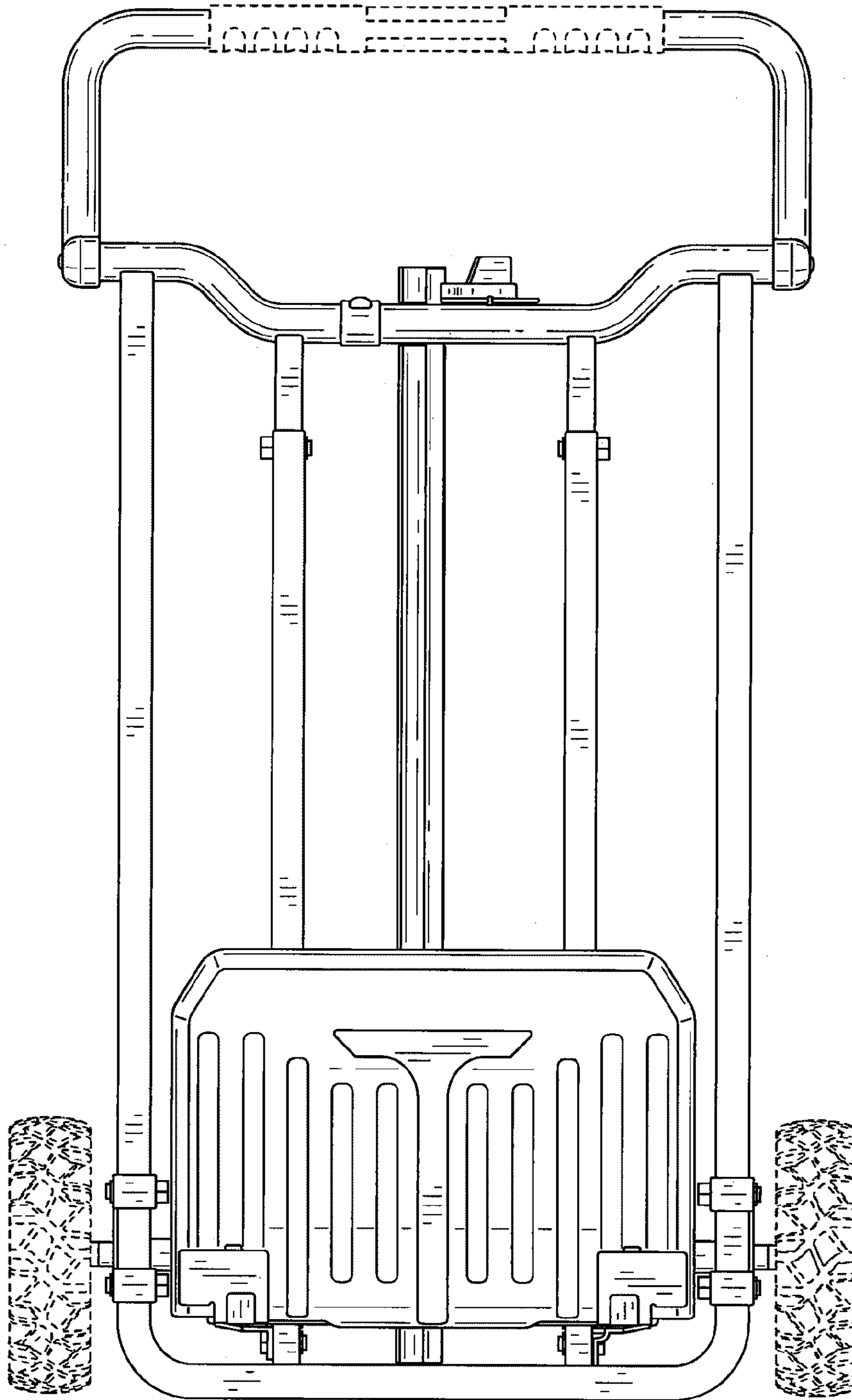


FIG. 2

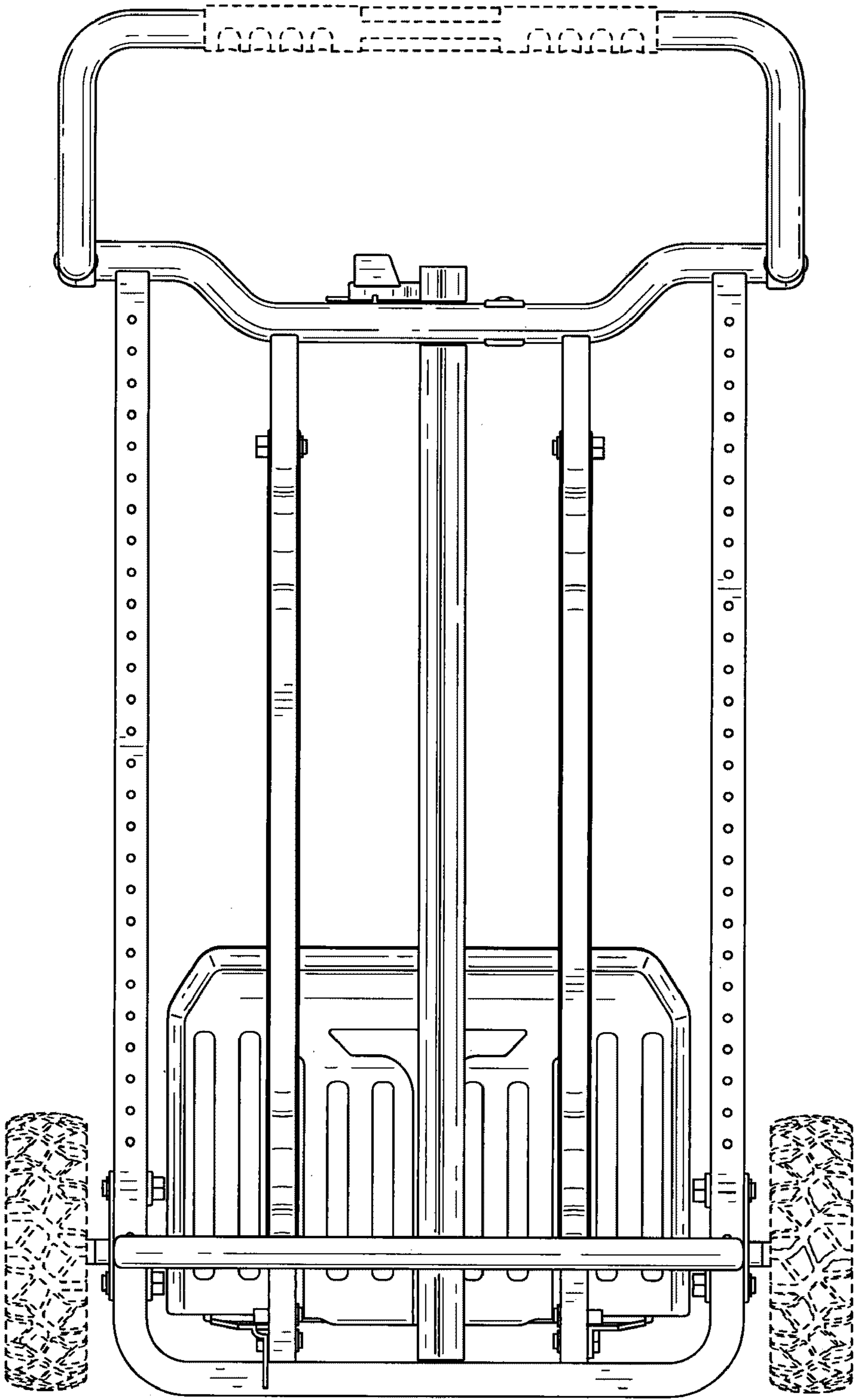


FIG. 3

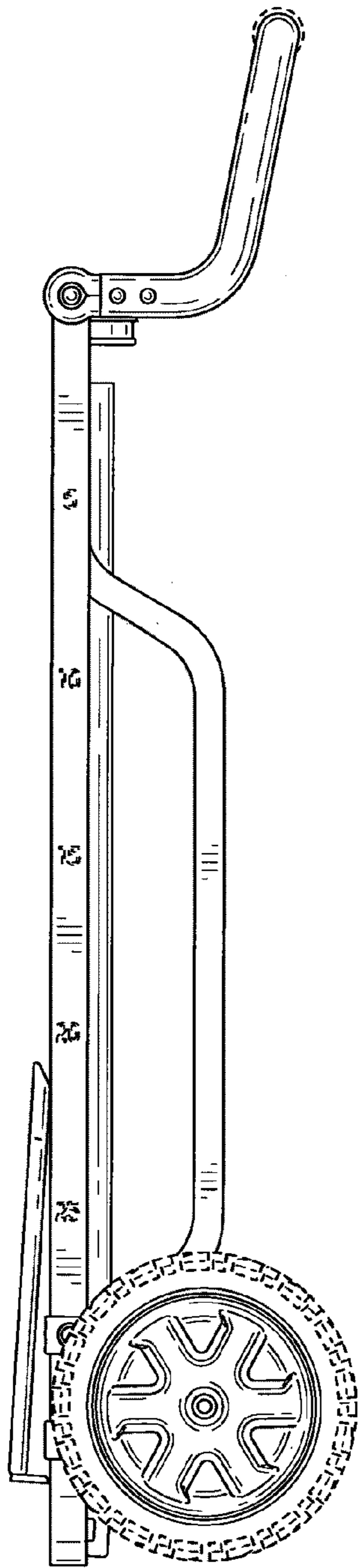


FIG. 4

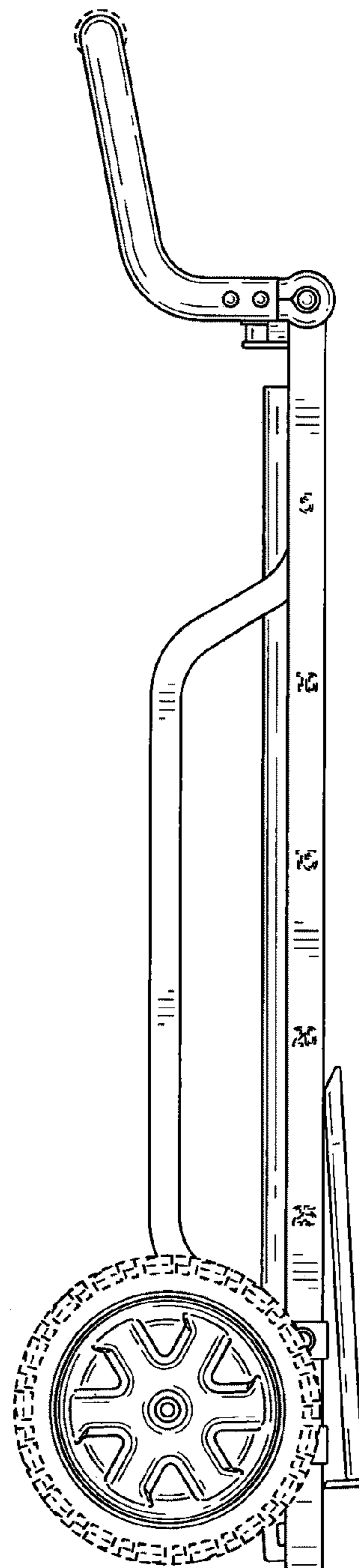


FIG. 5

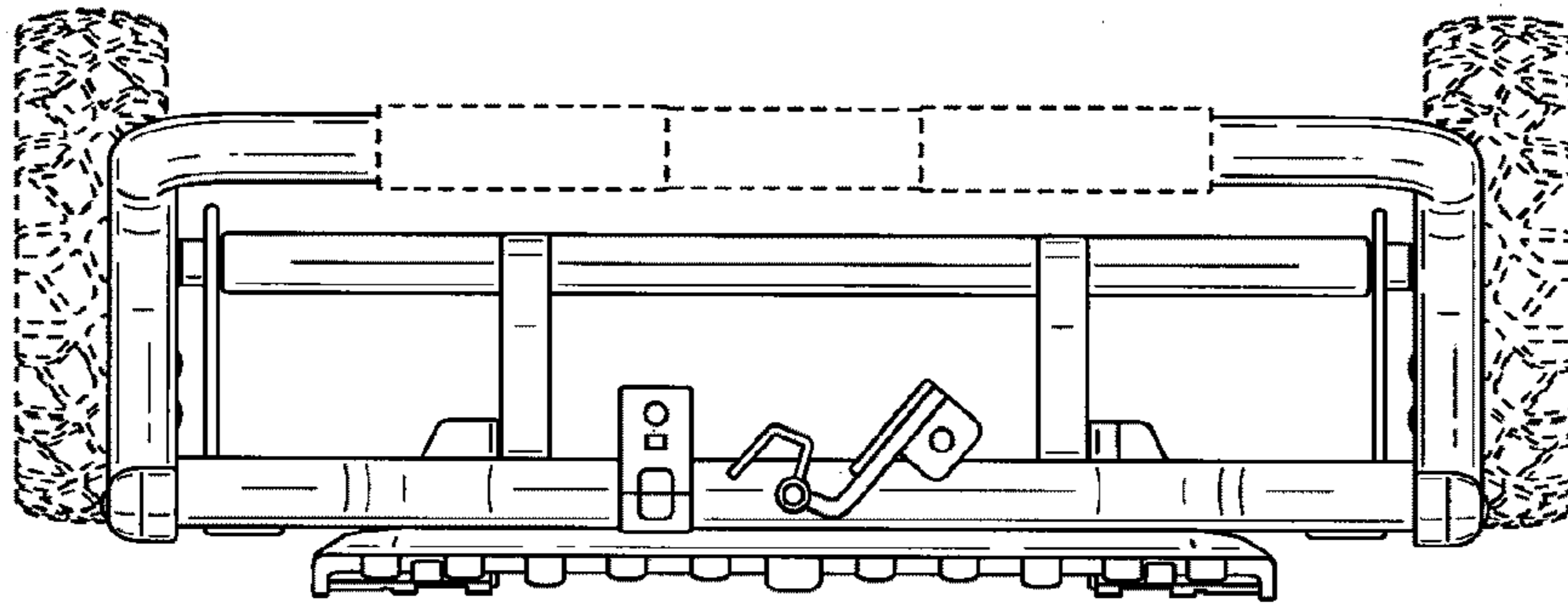


FIG. 6

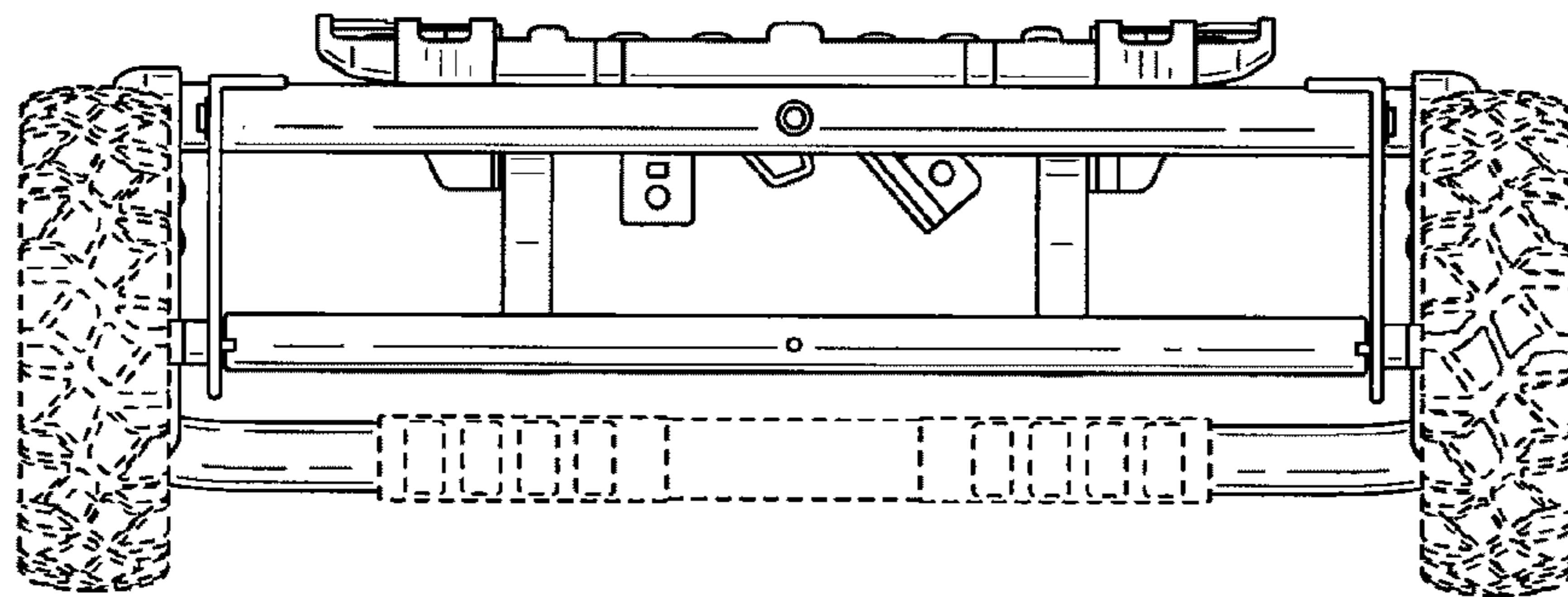


FIG. 7

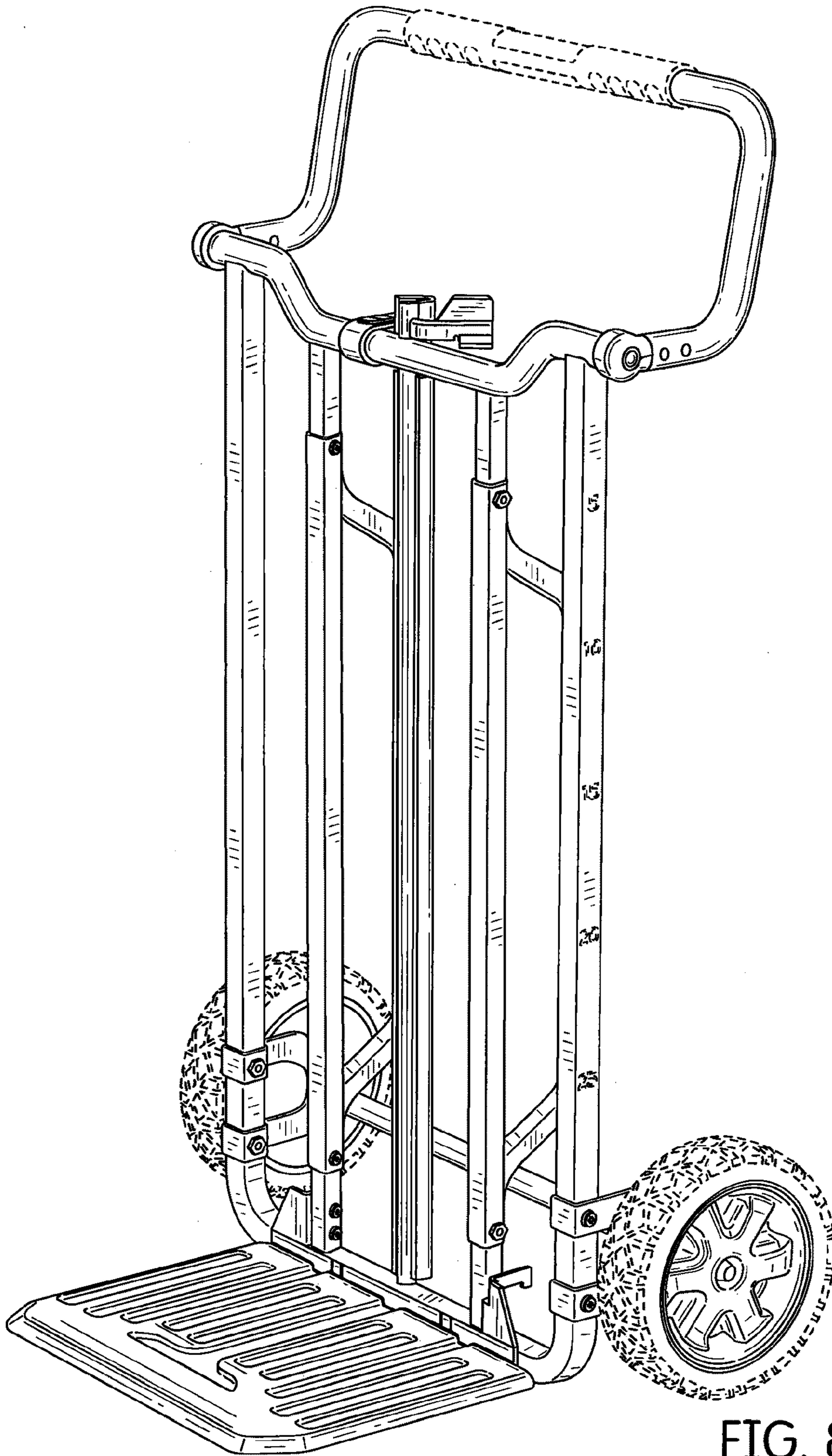


FIG. 8

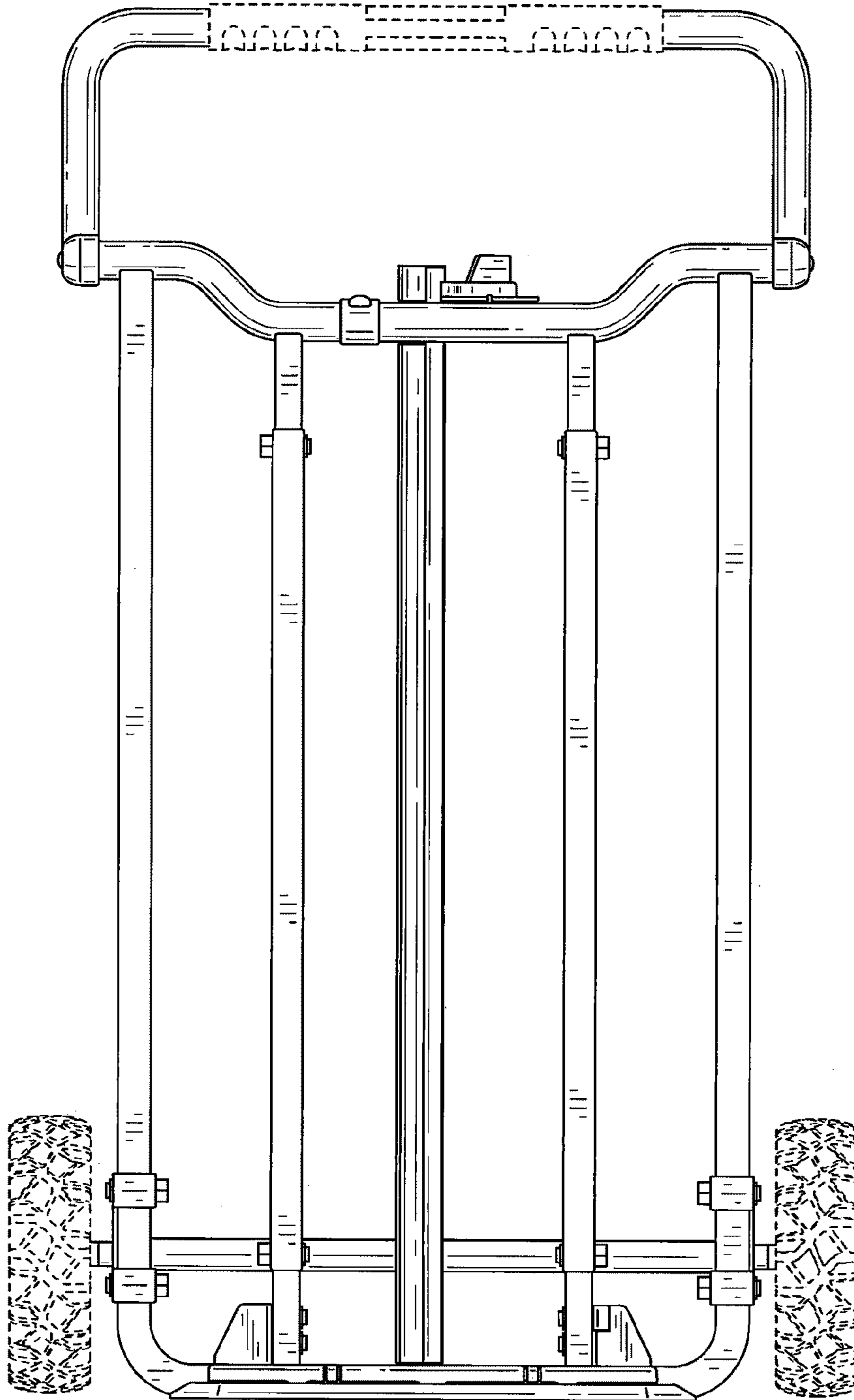


FIG. 9

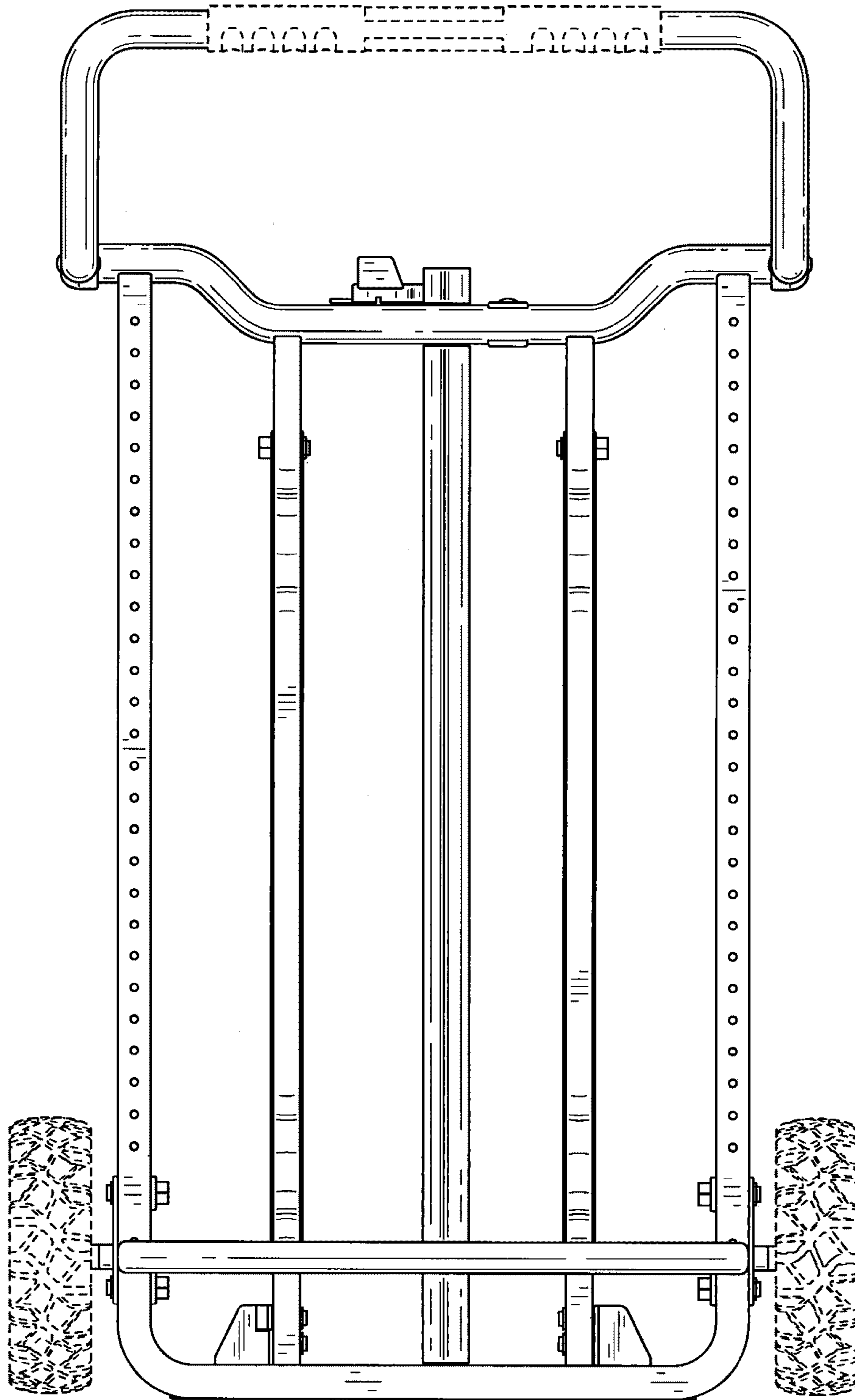


FIG. 10

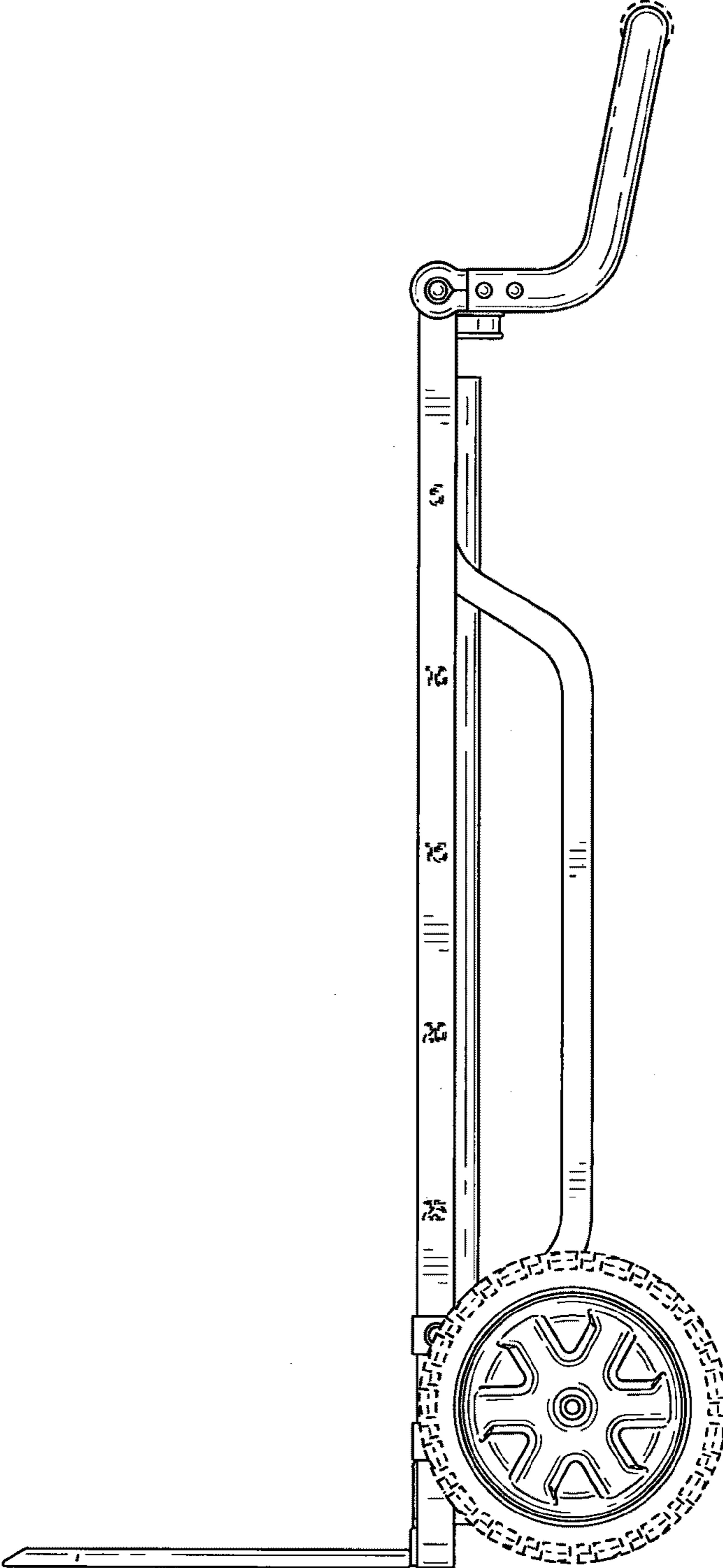


FIG. 11

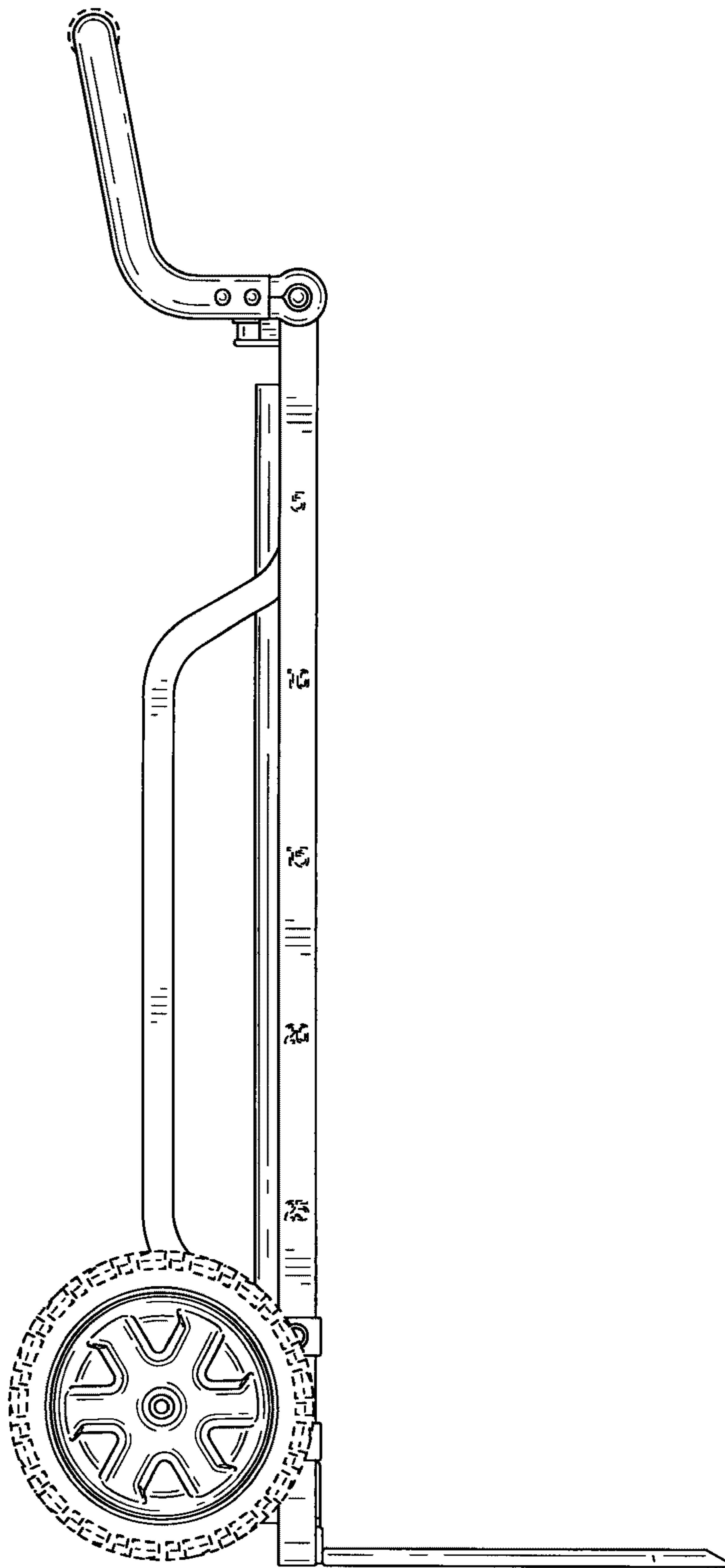


FIG. 12

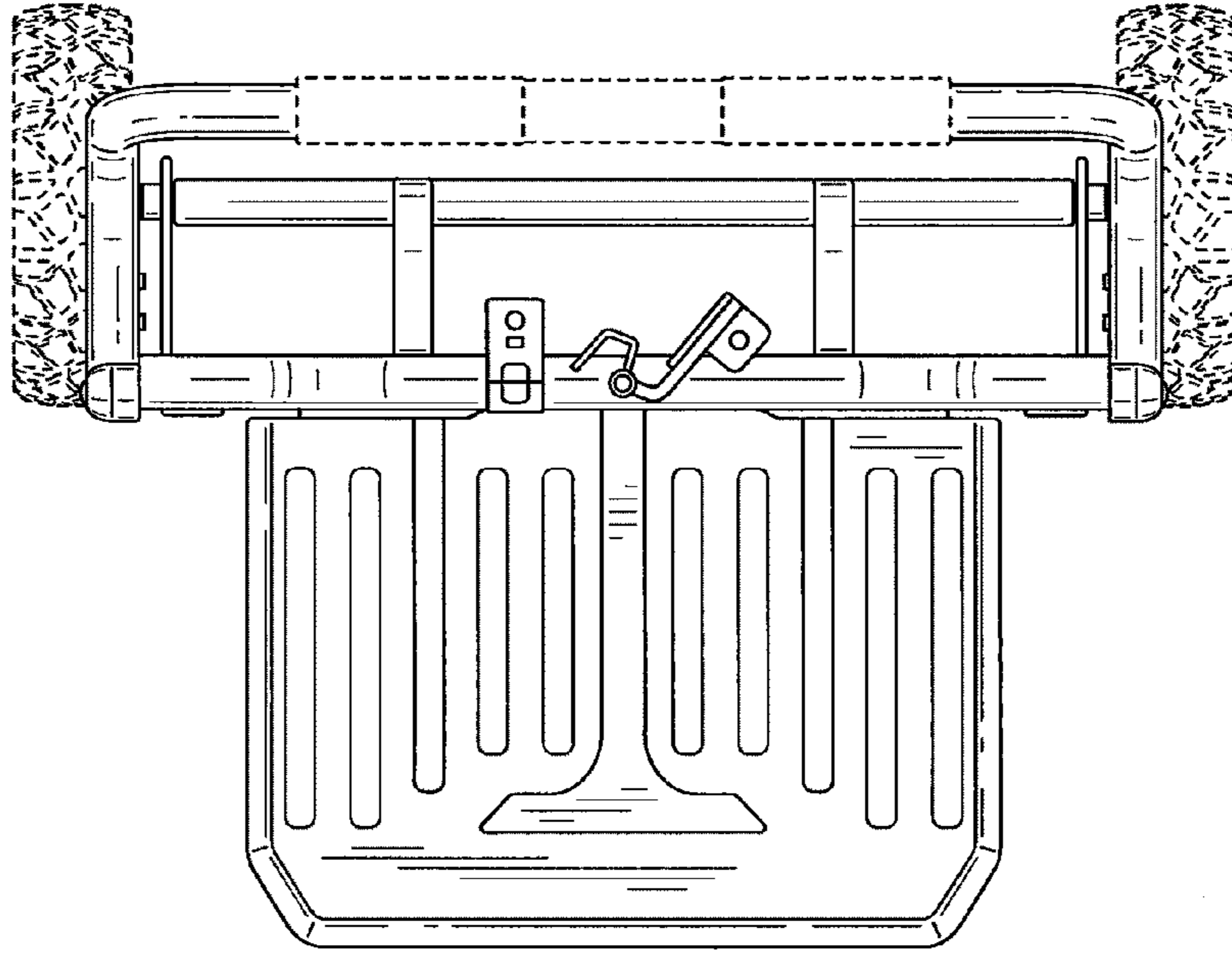


FIG. 13

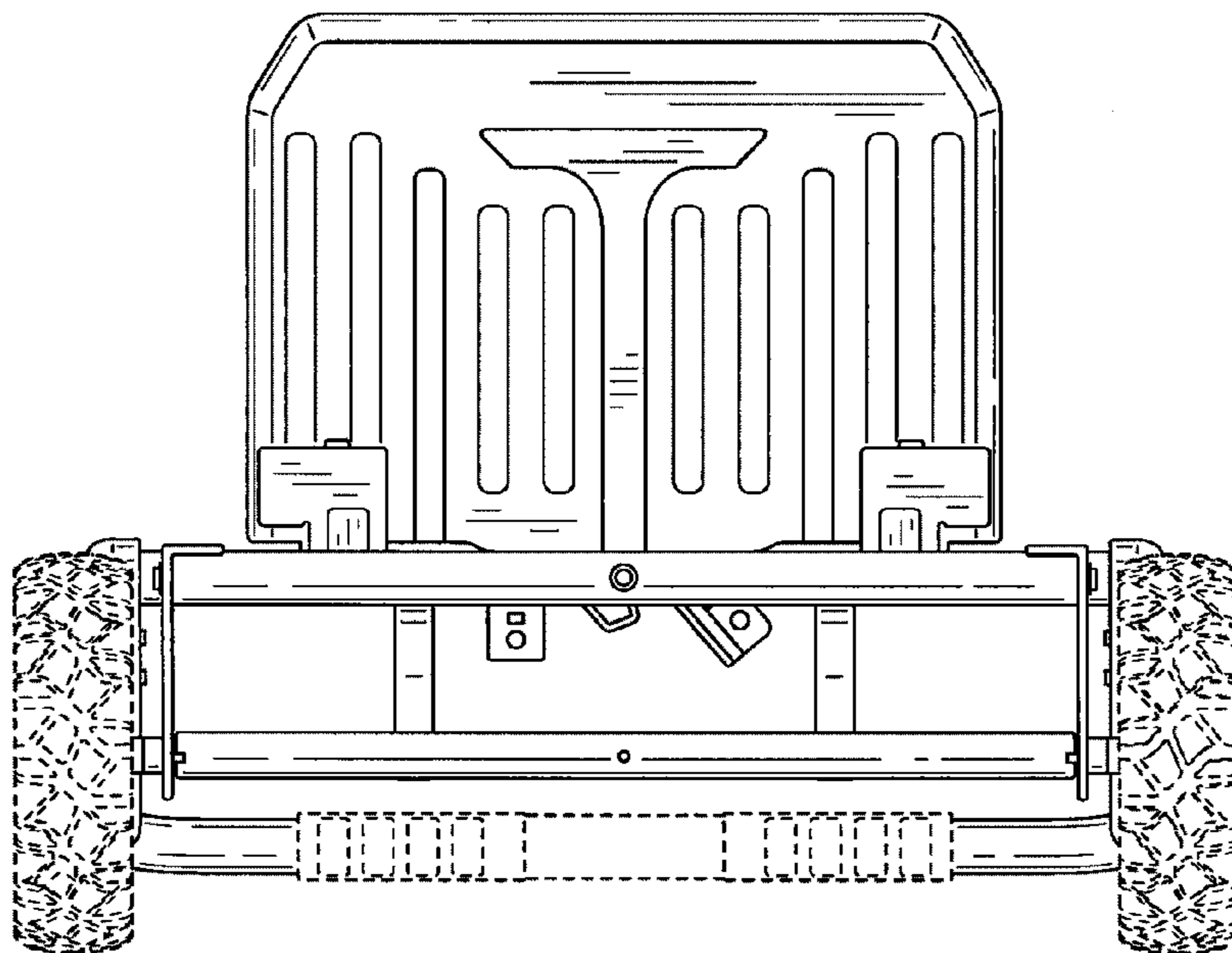


FIG. 14