



US00D654240S

(12) **United States Design Patent**
Choi et al.

(10) **Patent No.:** **US D654,240 S**

(45) **Date of Patent:** **** Feb. 14, 2012**

(54) **IRON**

(75) Inventors: **Charles Young Choi**, Chicago, IL (US);
Mark Richard Pavel, Downers Grove,
IL (US)

(73) Assignee: **Hamilton Beach Brands, Inc.**, Glen
Allen, VA (US)

(**) Term: **14 Years**

(21) Appl. No.: **29/398,702**

(22) Filed: **Aug. 3, 2011**

(51) **LOC (9) Cl.** **07-05**

(52) **U.S. Cl.** **D32/70**

(58) **Field of Classification Search** D32/73,
D32/72, 71, 70, 69, 68, 35; 392/404; 38/97,
38/96, 93, 88, 77.9, 77.83, 77.82, 77.81,
38/77.8, 77.7, 77.6, 77.5, 77.3, 77.1; 219/251,
219/245

See application file for complete search history.

(56) **References Cited**

U.S. PATENT DOCUMENTS

D340,329 S	*	10/1993	Barrault	D32/70
D386,863 S		11/1997	Lin		
D511,033 S	*	10/2005	Berthier	D32/70
D516,765 S		3/2006	Lee		
D519,699 S		4/2006	Lee		
D531,371 S	*	10/2006	Barquin Santillan et al.	..	D32/70
D537,595 S	*	2/2007	Picozza et al.	D32/70
D546,518 S	*	7/2007	Massip et al.	D32/70
D548,914 S	*	8/2007	Muller	D32/70
D555,315 S	*	11/2007	Poon	D32/70
D558,946 S	*	1/2008	Massip et al.	D32/70

D560,322 S		1/2008	Massip et al.		
D560,323 S		1/2008	Massip et al.		
D567,462 S	*	4/2008	Renault et al.	D32/70
D568,020 S	*	4/2008	Poon	D32/70
D582,620 S	*	12/2008	Brown	D32/70
D599,071 S		8/2009	Massip et al.		
D610,764 S	*	2/2010	Massip et al.	D32/70
D610,765 S	*	2/2010	Massip et al.	D32/70
D620,663 S	*	7/2010	Zabala	D32/70
D621,116 S		8/2010	Massip et al.		
D624,266 S		9/2010	Massip et al.		
D625,892 S	*	10/2010	Choi	D32/70
D629,988 S	*	12/2010	Kaiser et al.	D32/70
D629,991 S	*	12/2010	Day et al.	D32/70
D632,861 S	*	2/2011	Massip et al.	D32/70
D632,862 S	*	2/2011	Massip et al.	D32/70
D646,862 S	*	10/2011	Choi et al.	D32/70

* cited by examiner

Primary Examiner — Austin Murphy

(74) *Attorney, Agent, or Firm* — Alexander D. Raring

(57) **CLAIM**

The ornamental design for an iron, as shown and described.

DESCRIPTION

FIG. 1 is a perspective view as seen from the top, front and right side of an iron showing the new design;

FIG. 2 is a front view thereof;

FIG. 3 is a rear view thereof;

FIG. 4 is a left side view thereof;

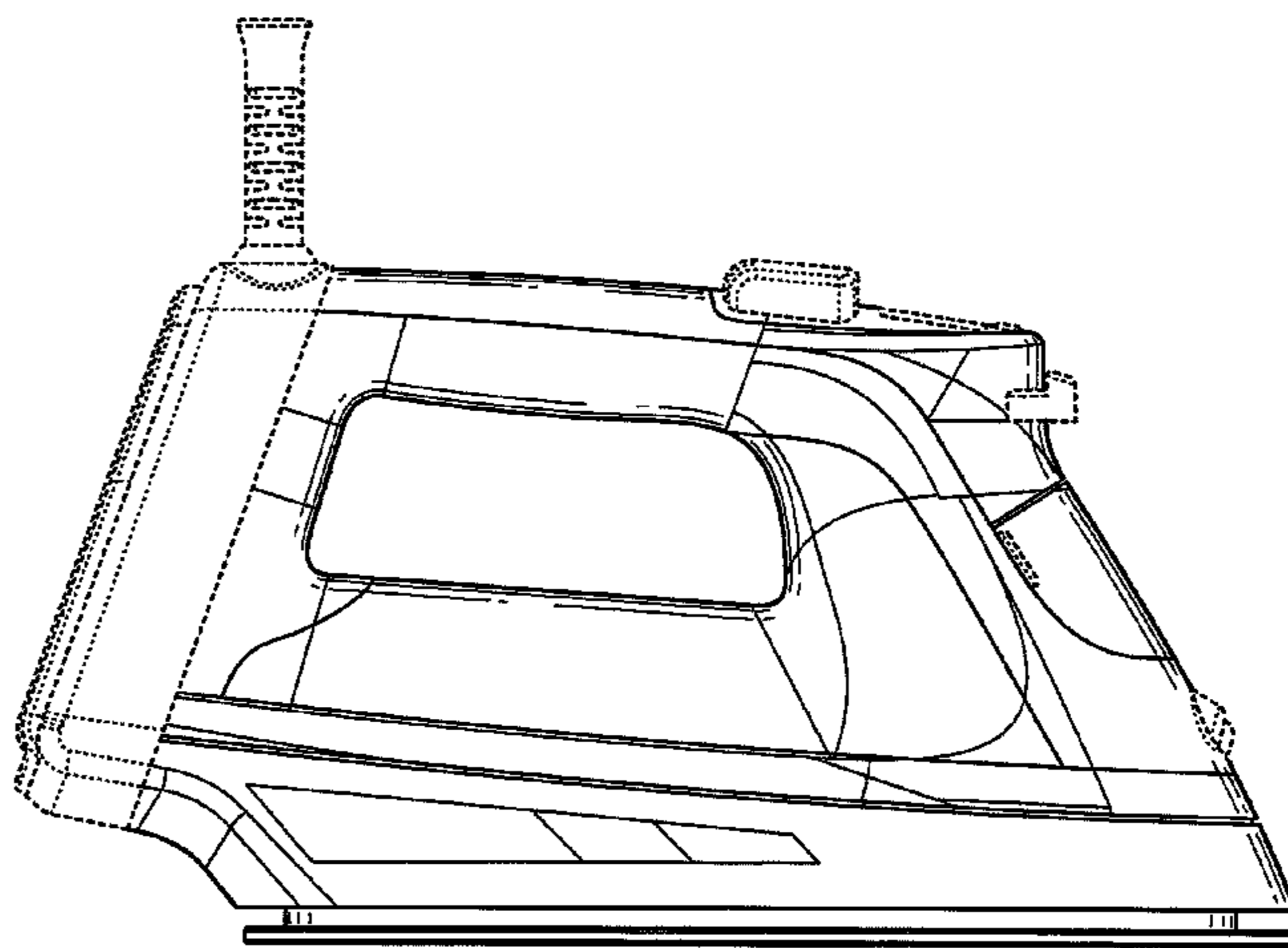
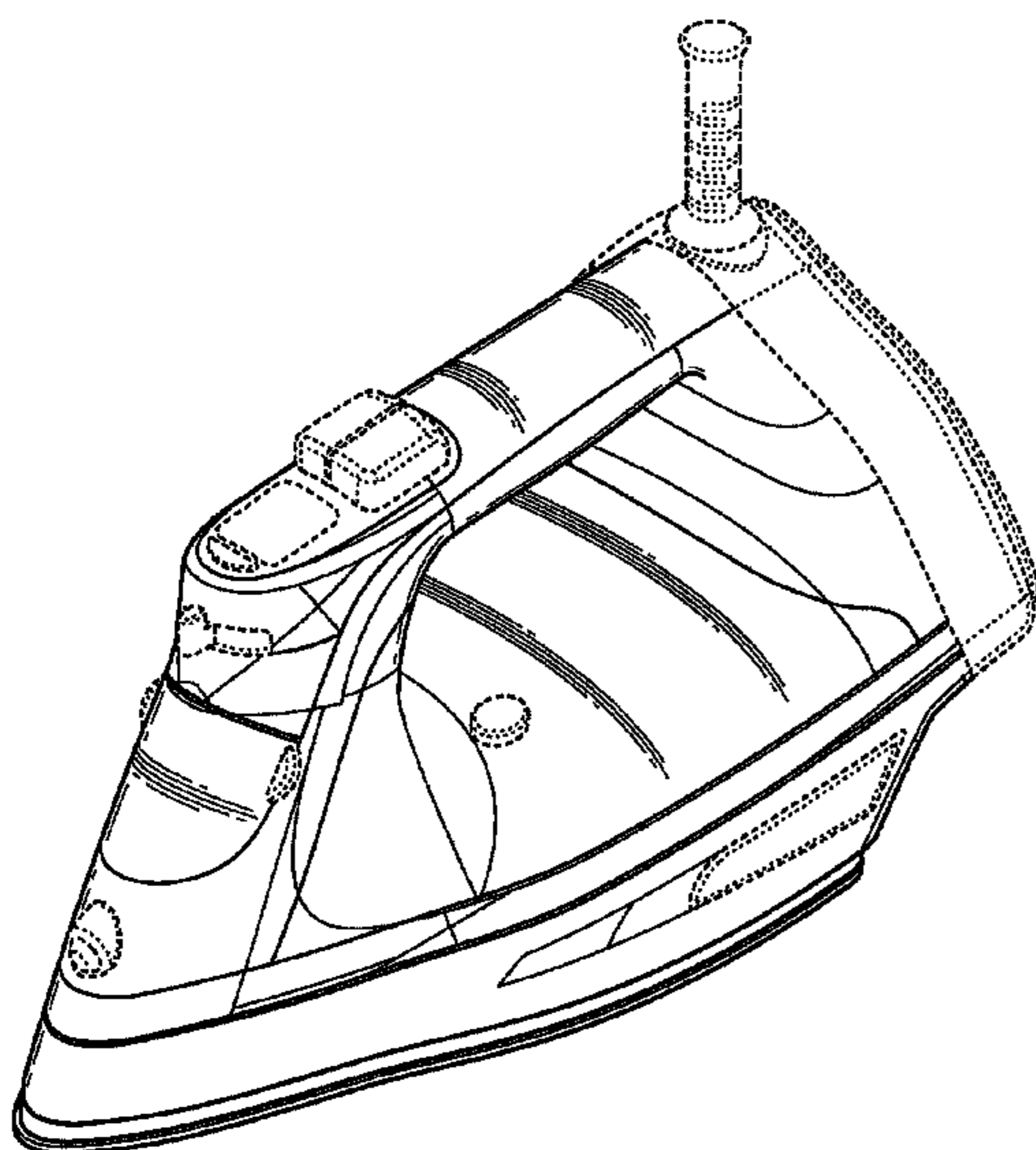
FIG. 5 is a right side view thereof;

FIG. 6 is a top view thereof; and,

FIG. 7 is a bottom view thereof.

The broken lines in the drawings are included for illustrative purposes only and form no part of the claimed design.

1 Claim, 7 Drawing Sheets



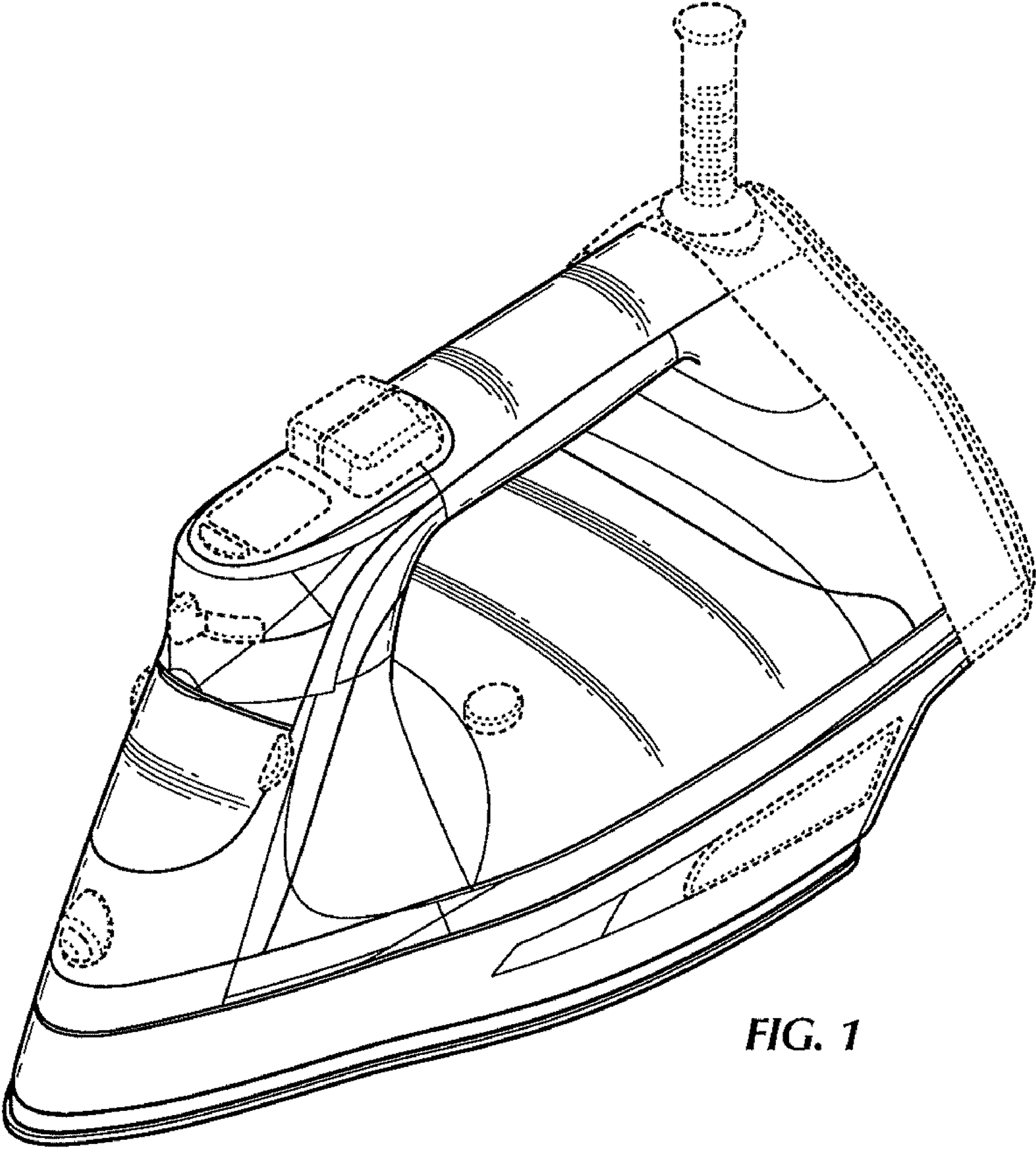


FIG. 1

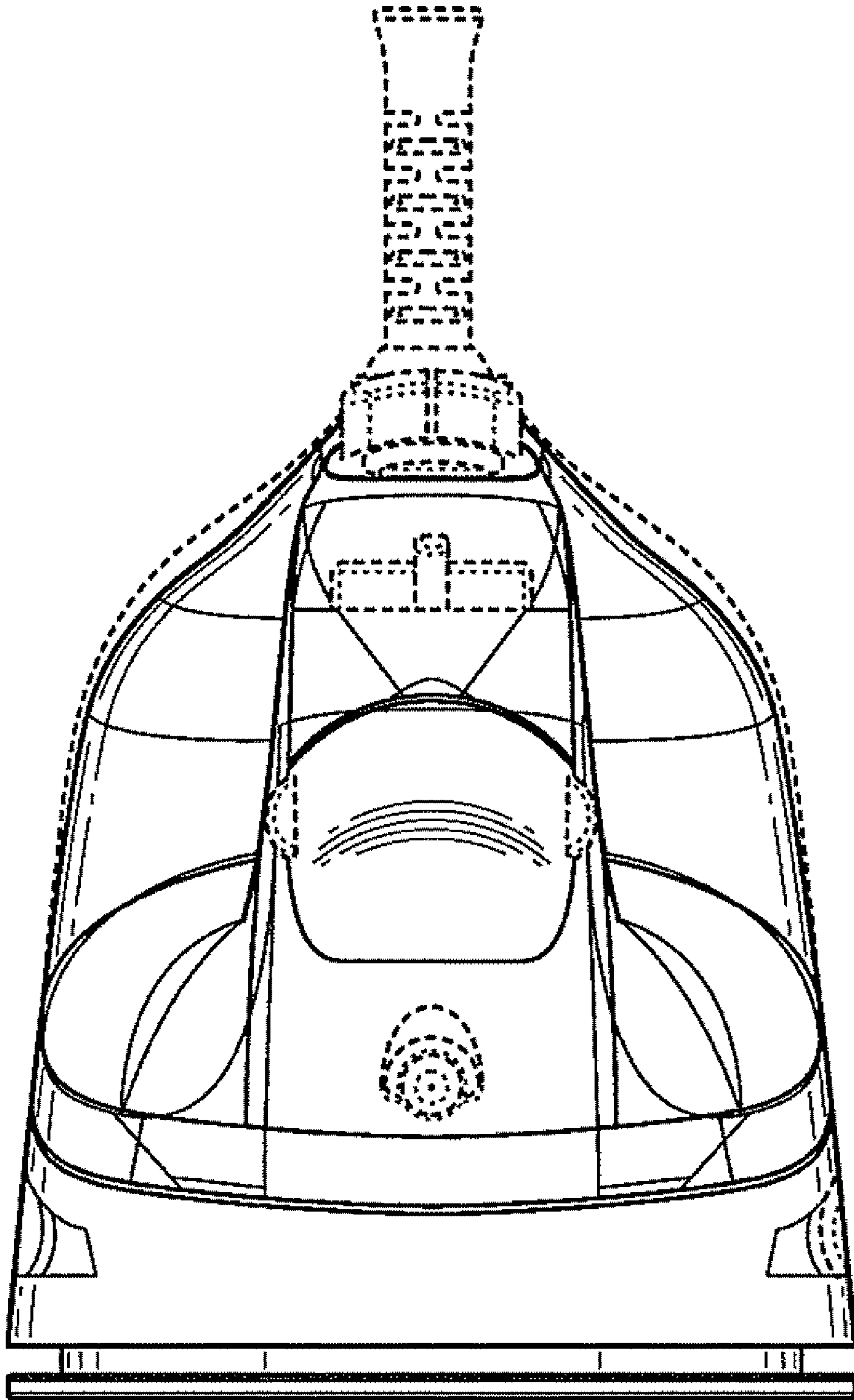


FIG. 2

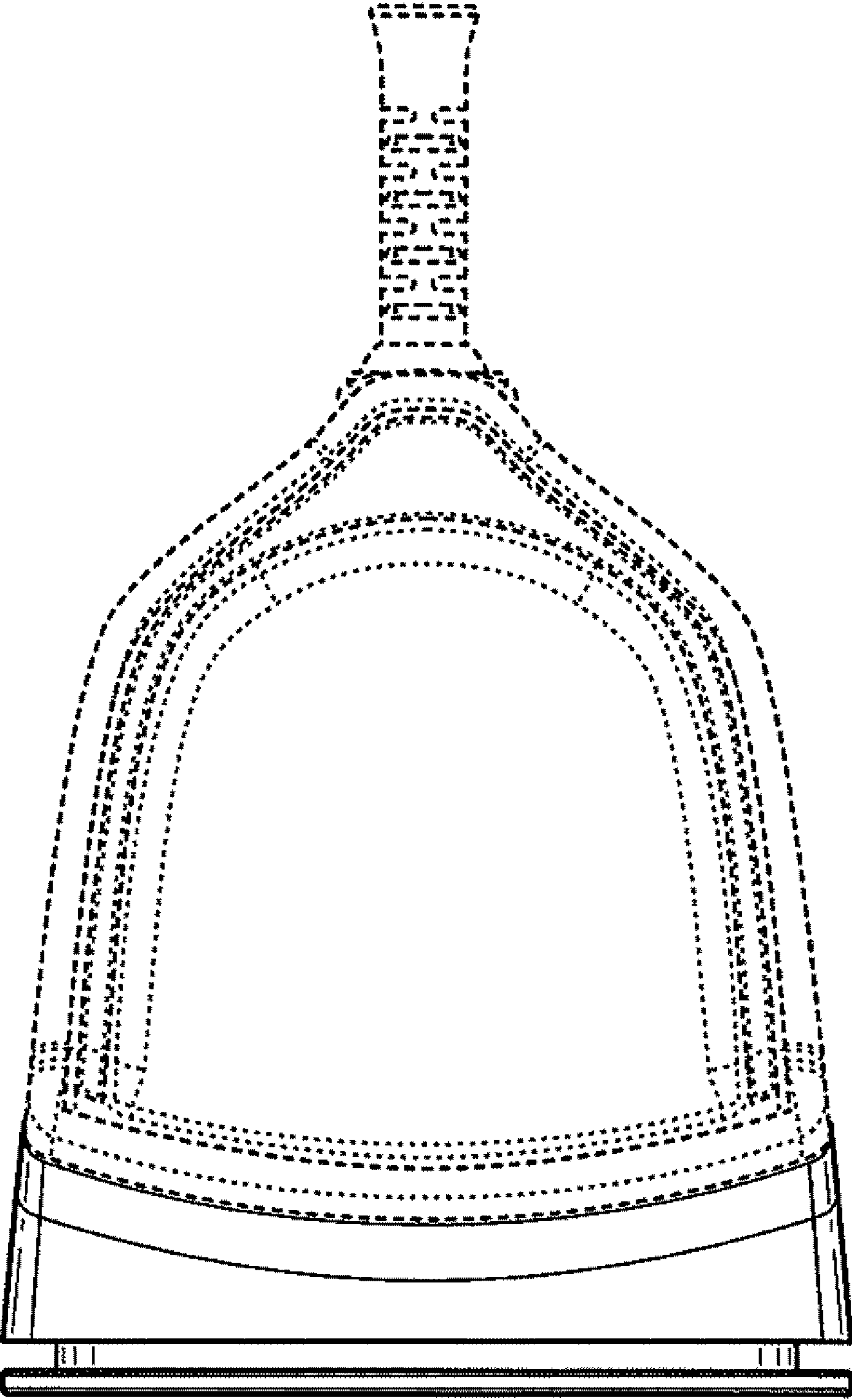


FIG. 3

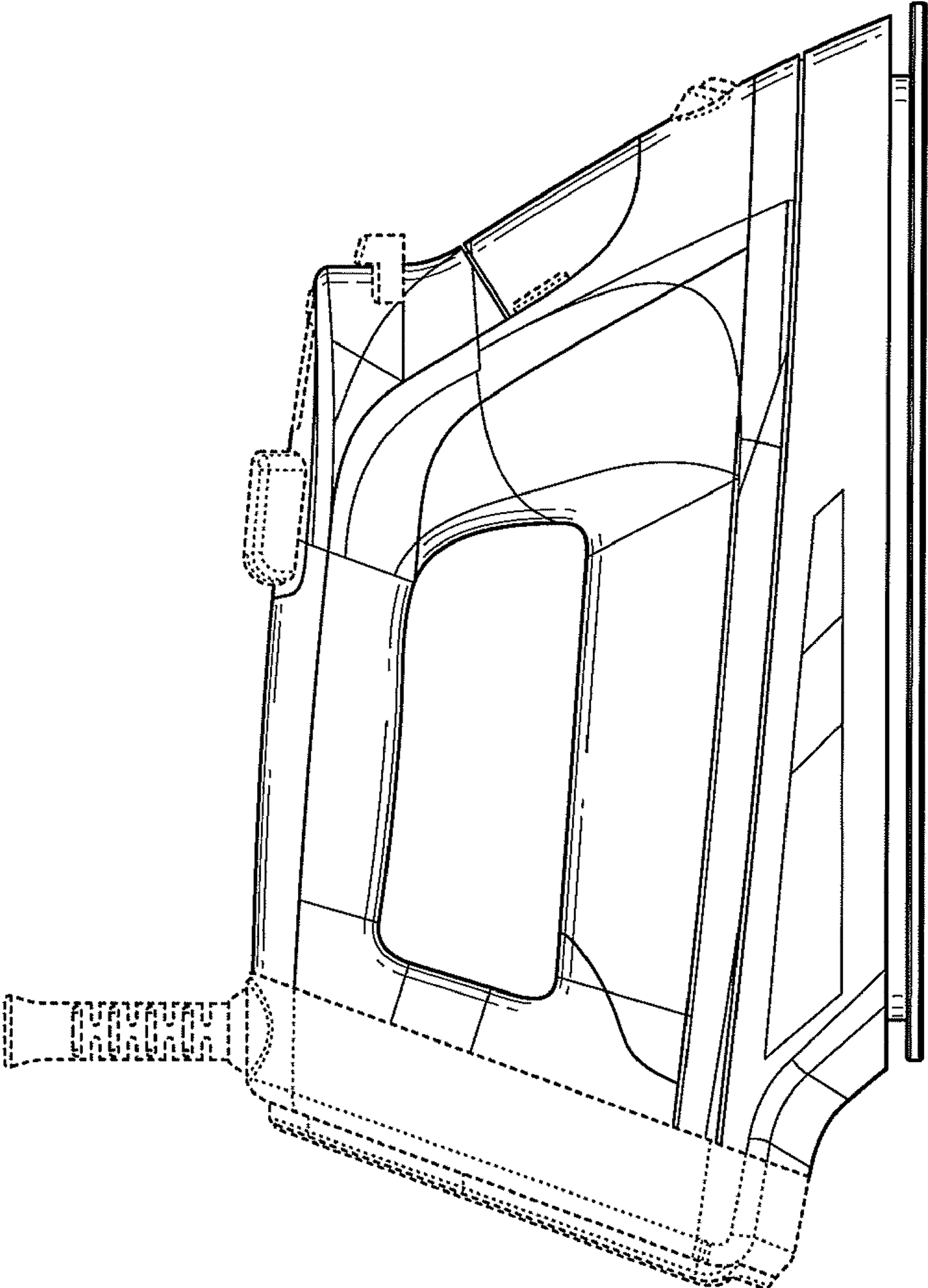


FIG. 4

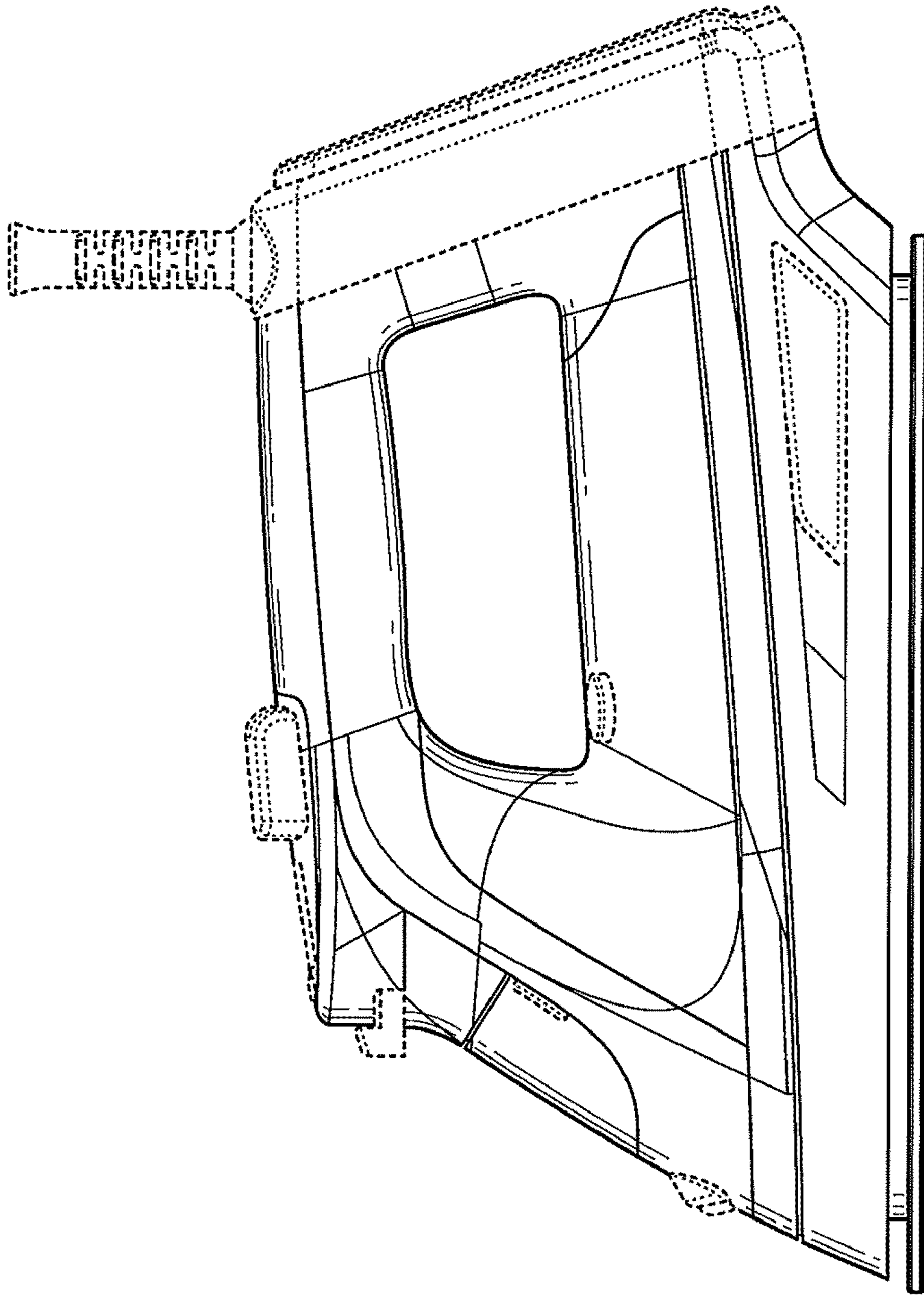


FIG. 5

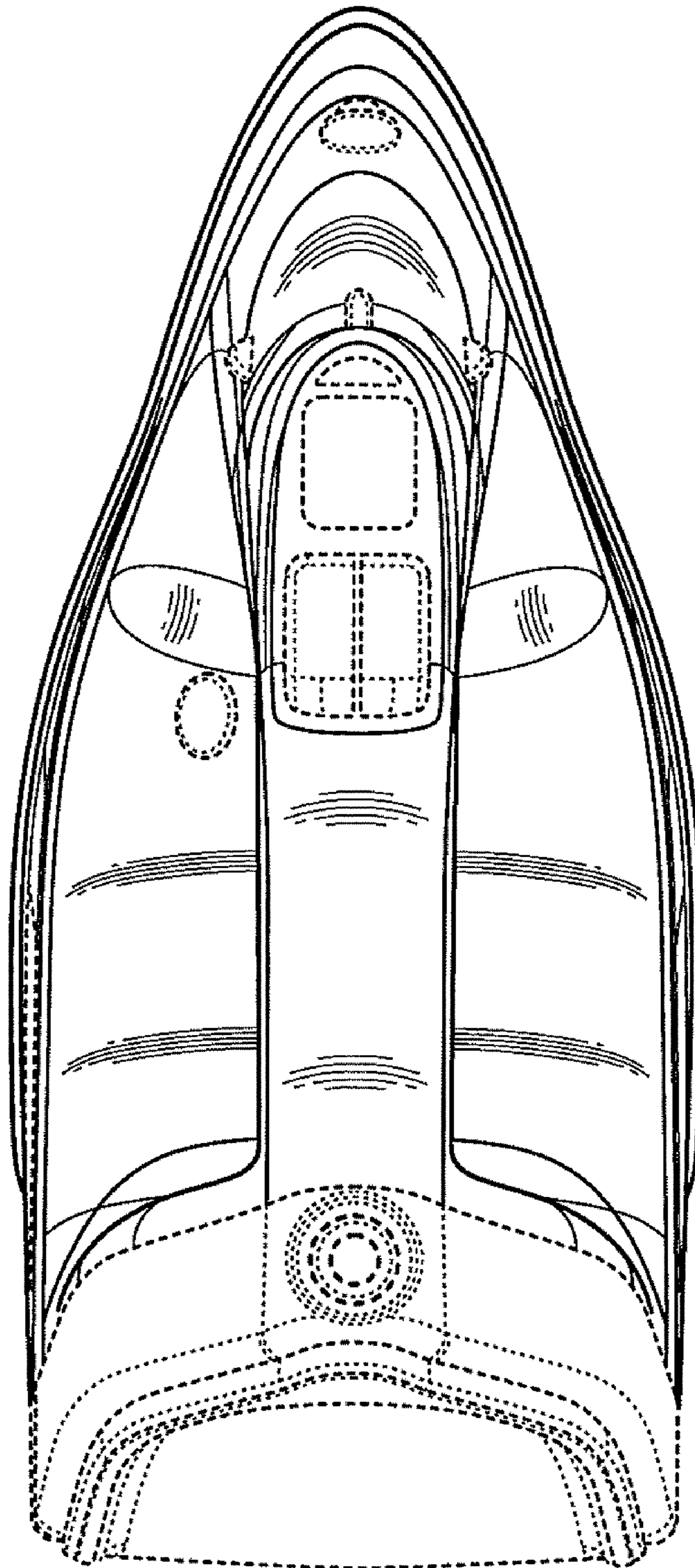


FIG. 6

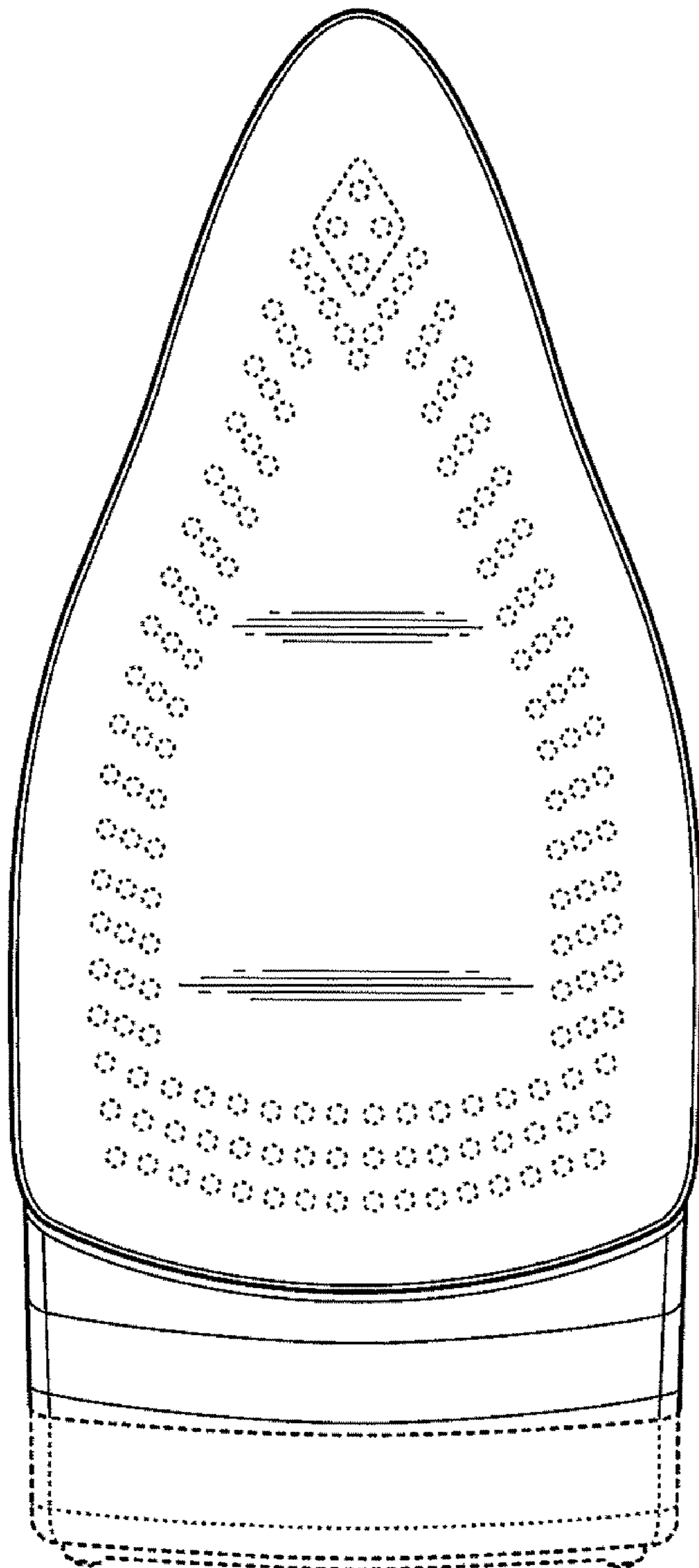


FIG. 7