



US00D654239S

(12) **United States Design Patent**
Hurttt

(10) **Patent No.:** **US D654,239 S**

(45) **Date of Patent:** **** Feb. 14, 2012**

(54) **UTILITY BUCKET WITH WHEELS AND HANDLE**

Primary Examiner — Robin V Webster

(74) *Attorney, Agent, or Firm* — David W. Carstens; Carstens & Cahoon, LLP

(76) Inventor: **Barry Hurttt**, Dallas, TX (US)

(**) Term: **14 Years**

(57) **CLAIM**

The ornamental design for a utility bucket with wheels and handle, as shown and described.

(21) Appl. No.: **29/384,304**

DESCRIPTION

(22) Filed: **Jan. 28, 2011**

(51) **LOC (9) Cl.** **07-07**

(52) **U.S. Cl.** **D32/53**

(58) **Field of Classification Search** D32/53,
D32/53.1, 54; D34/24; 15/206, 262, 264;
280/63, 79.5, 47.16, 47.34

See application file for complete search history.

FIG. 1 is a rear perspective view of the utility bucket with wheels and handle of the present invention, with the handle in a fully extended position;
FIG. 2 is a left side elevation view thereof;
FIG. 3 is a right side elevation view thereof;
FIG. 4 is a front elevation view thereof;
FIG. 5 is a rear elevation view thereof;
FIG. 6 is a top plan view thereof;
FIG. 7 is a bottom plan view thereof;
FIG. 8 is a rear elevation view thereof, with the handle in compressed position; and,
FIG. 9 is a right side elevation view thereof, with the handle in compressed position; the left side elevation view being a mirror image thereof.

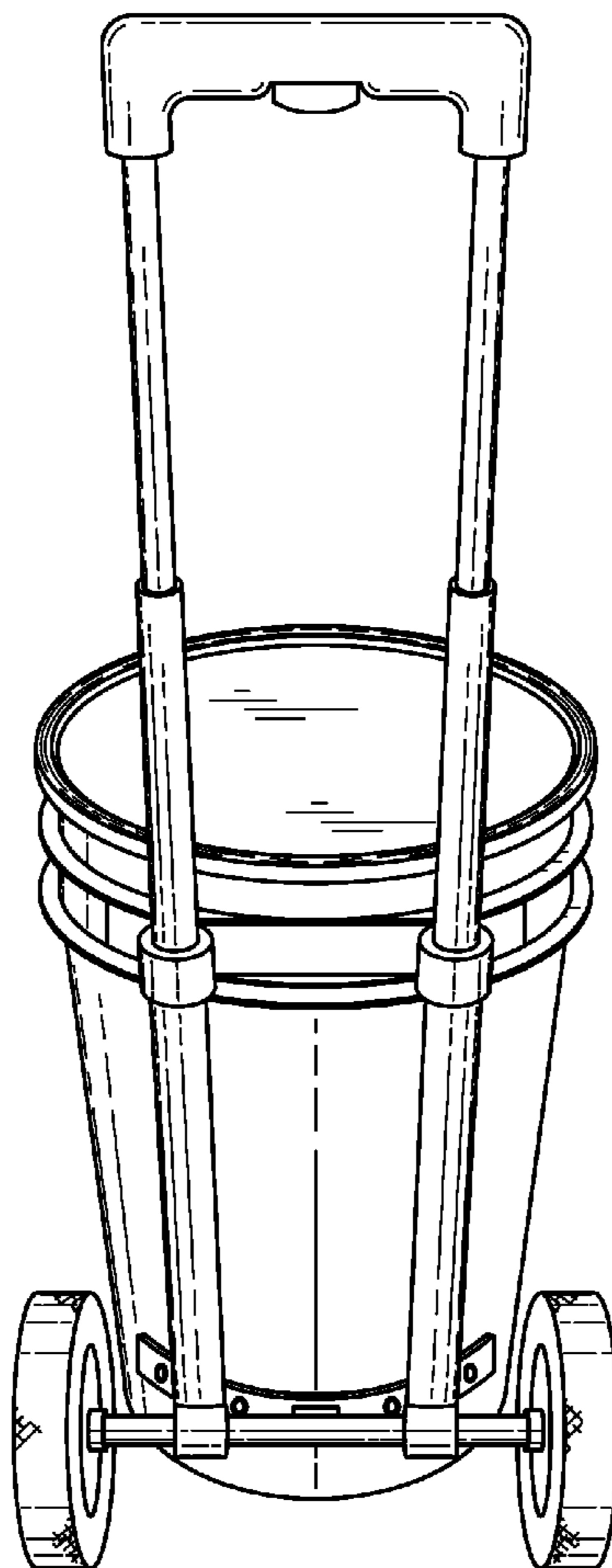
(56) **References Cited**

U.S. PATENT DOCUMENTS

5,433,463	A *	7/1995	Finley	280/47.16
7,431,313	B1 *	10/2008	Torres et al.	280/47.26
7,438,300	B1 *	10/2008	Zien et al.	280/79.5
D616,620	S *	5/2010	Carroll et al.	D32/53
7,857,328	B1 *	12/2010	Boss	280/47.25

* cited by examiner

1 Claim, 5 Drawing Sheets



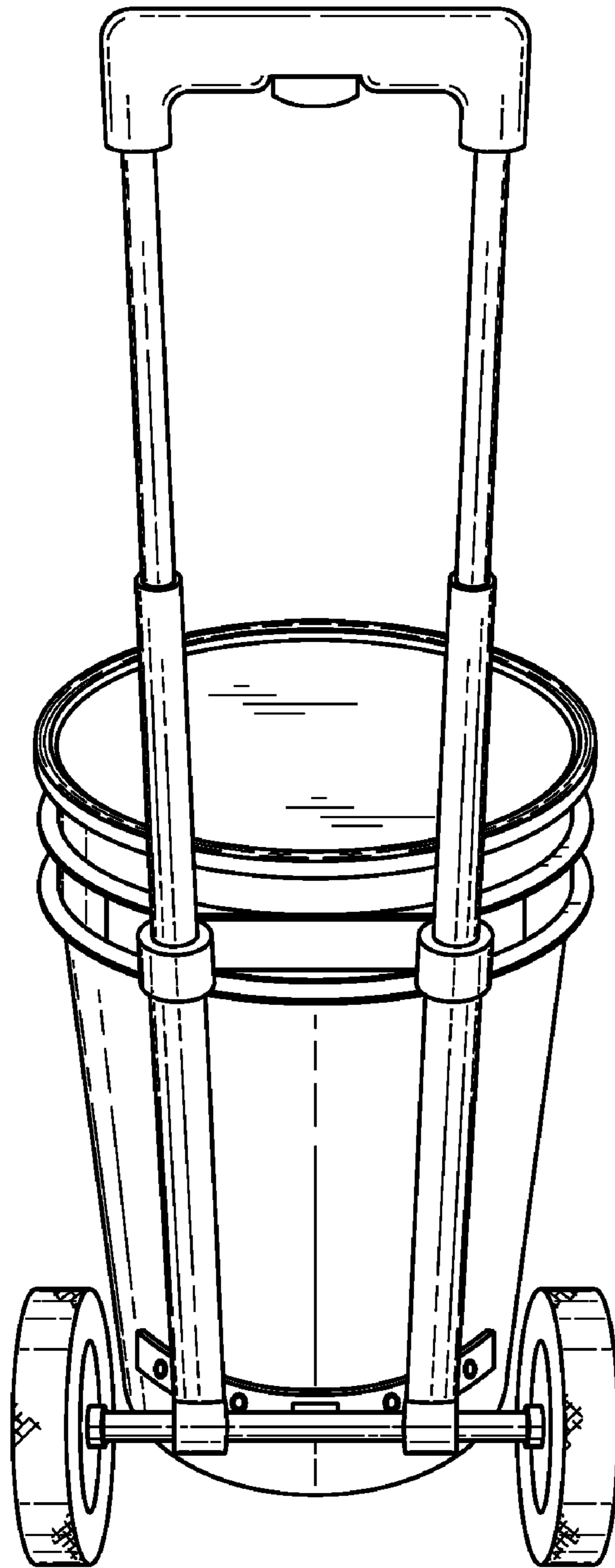


FIG. 1

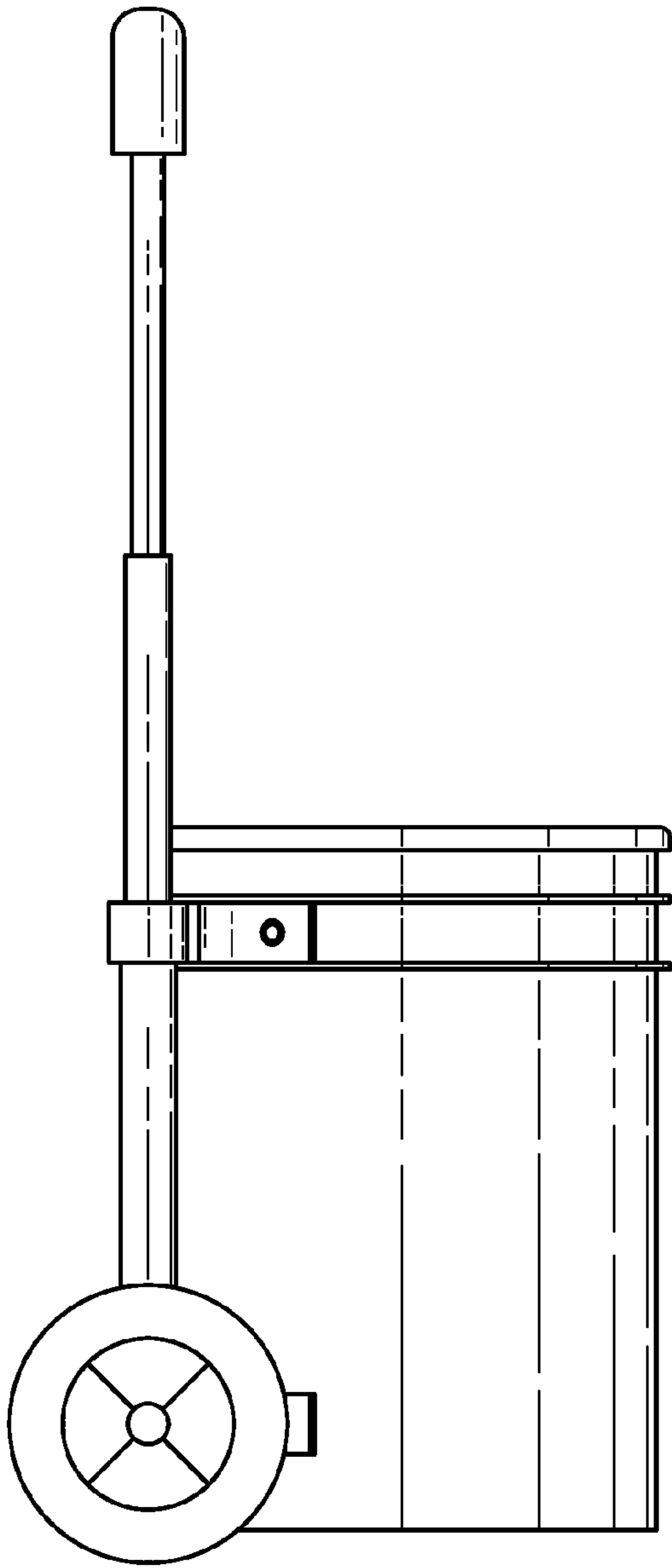


FIG. 2

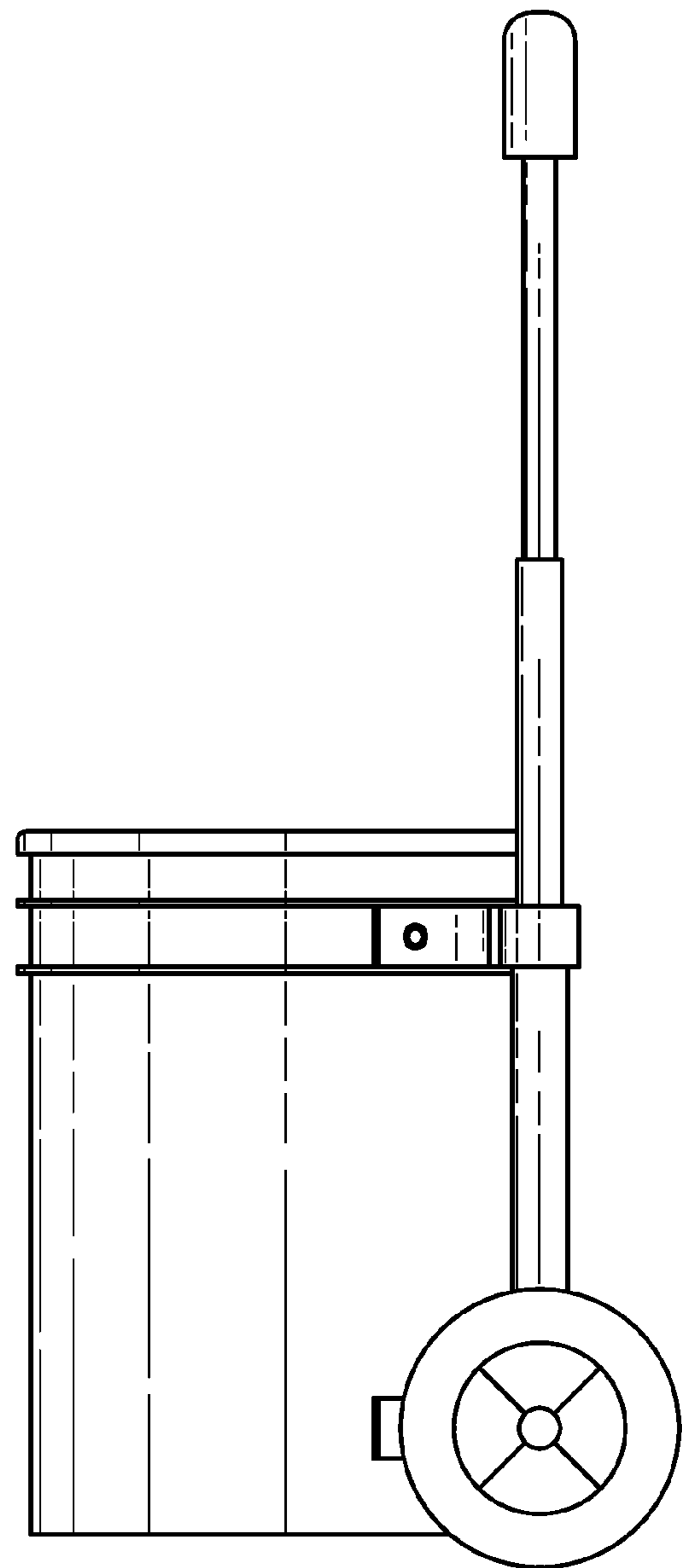


FIG. 3

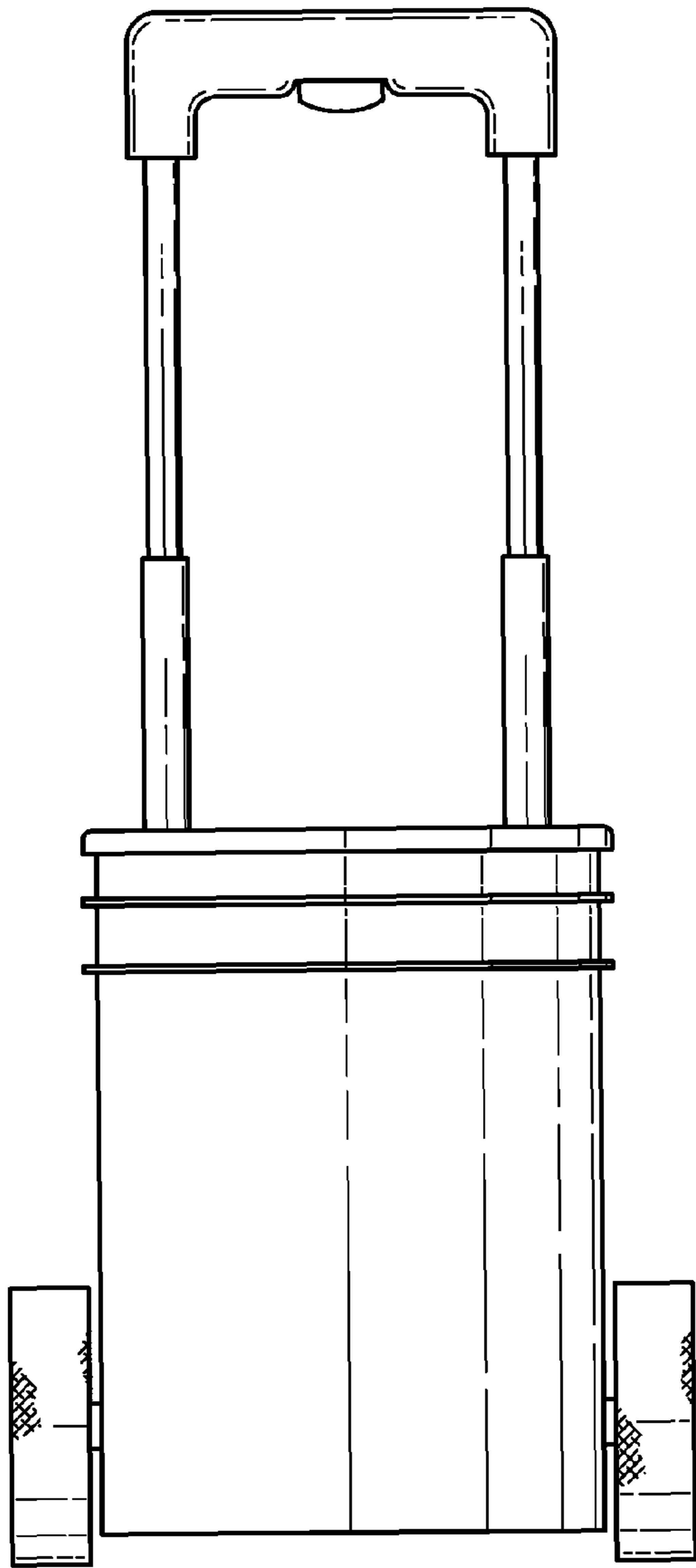


FIG. 4

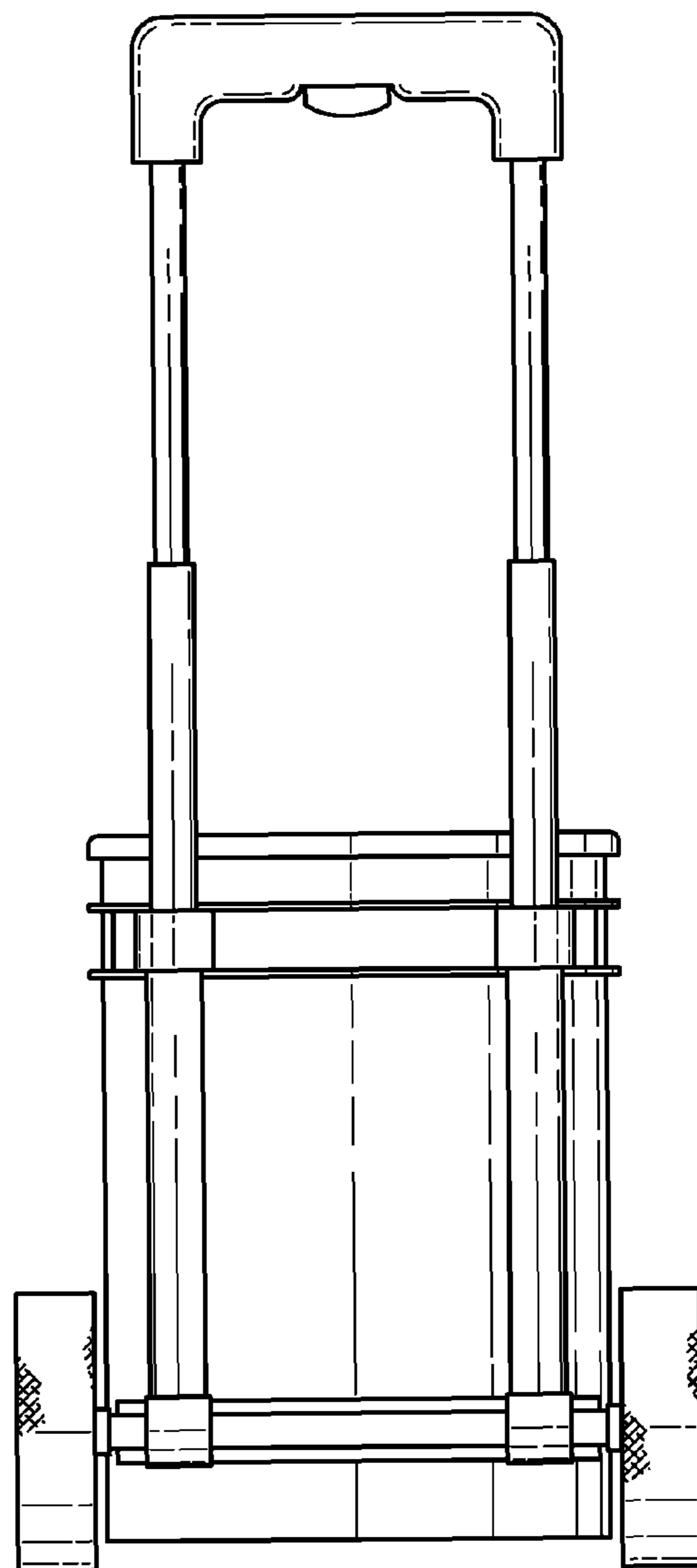


FIG. 5

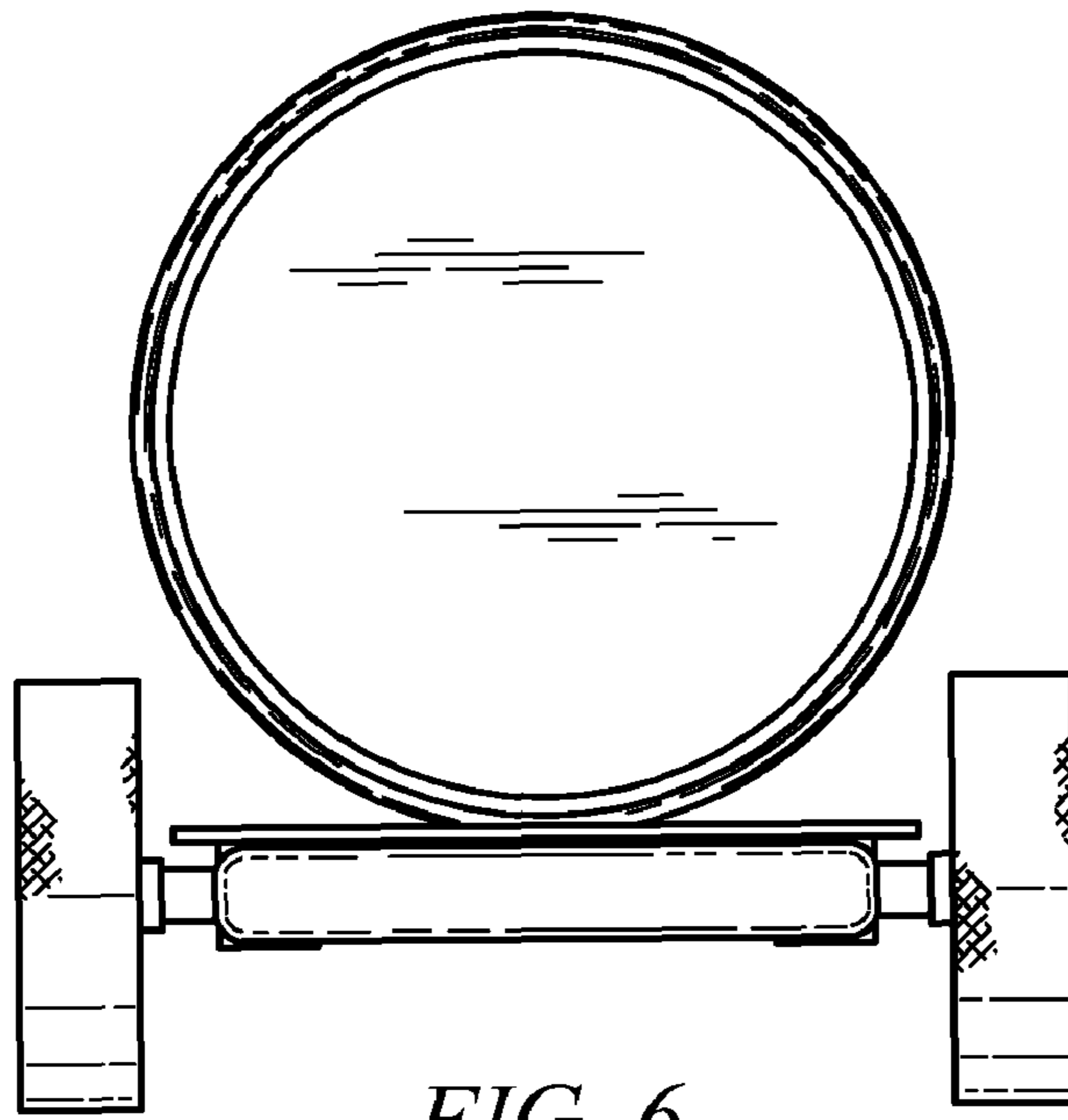


FIG. 6

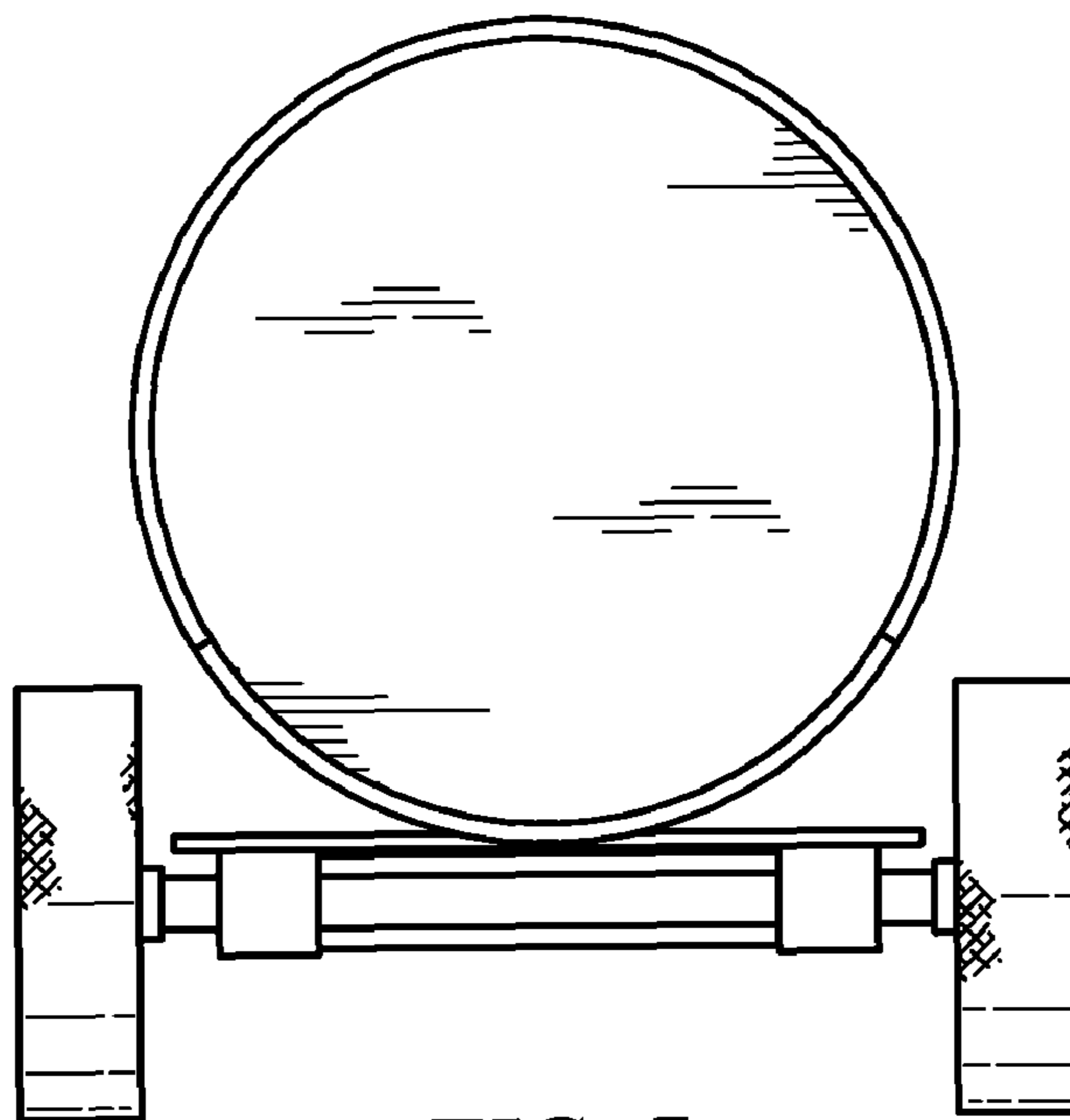


FIG. 7

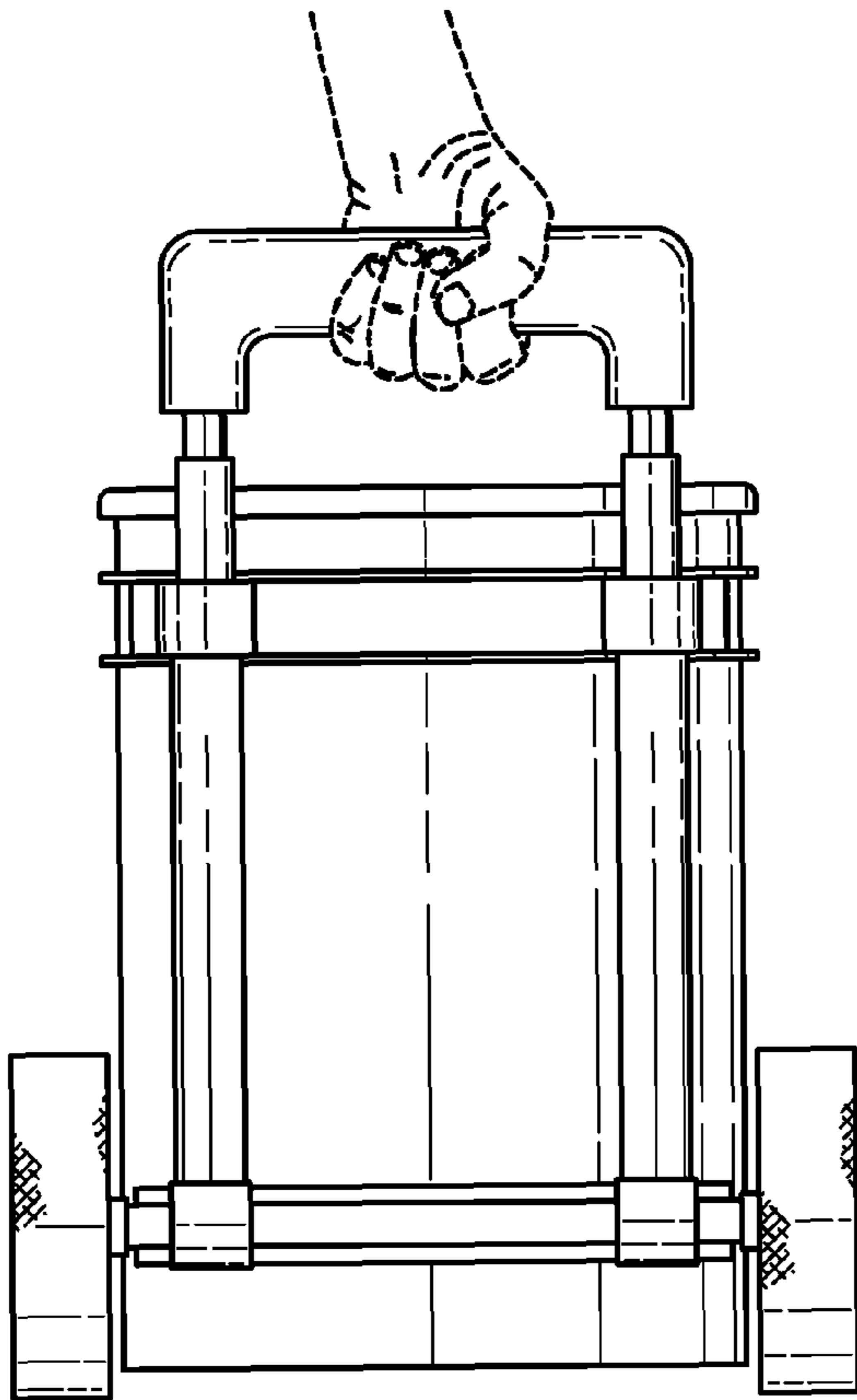


FIG. 8

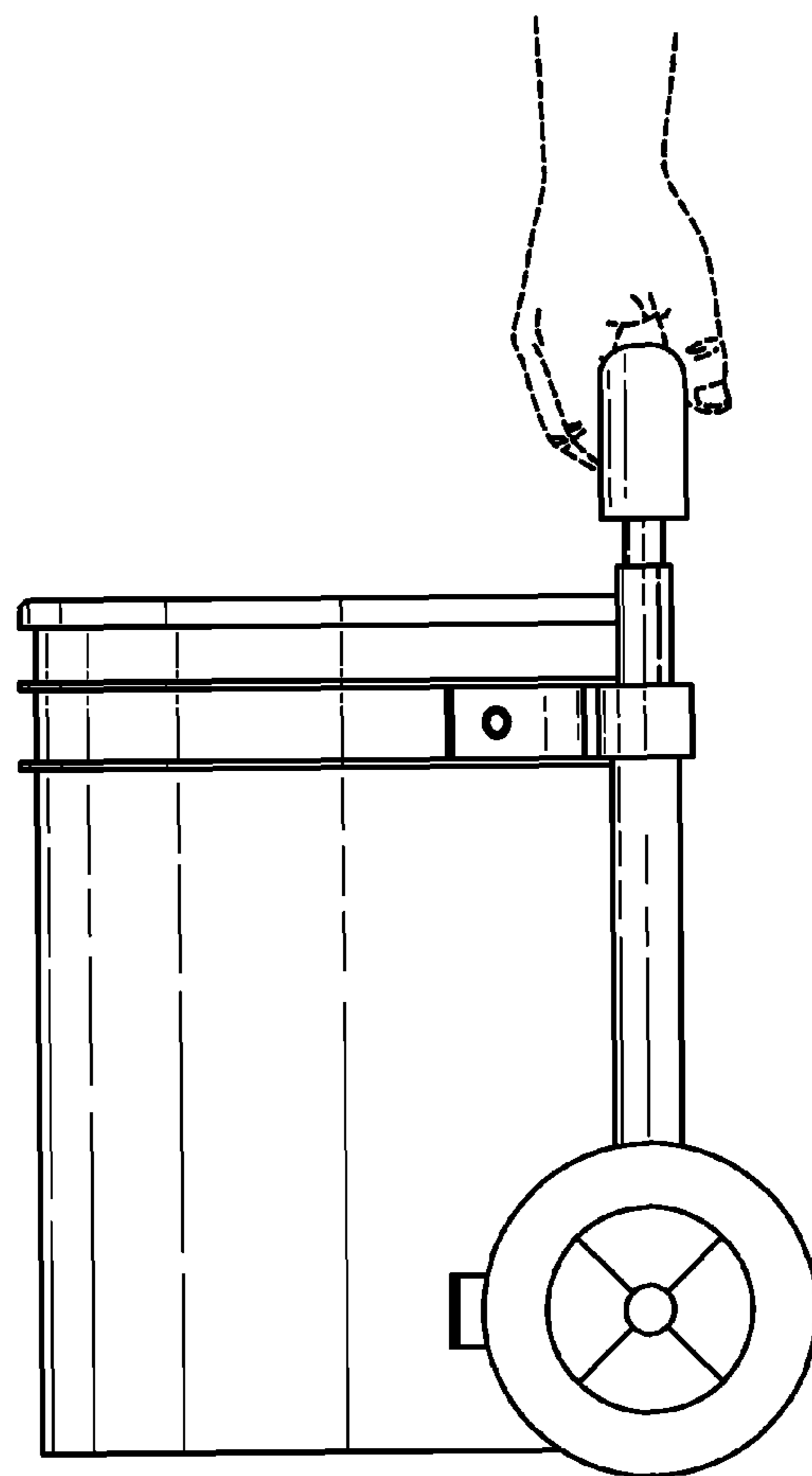


FIG. 9