



US00D654238S

(12) **United States Design Patent**
Lee

(10) **Patent No.:** **US D654,238 S**

(45) **Date of Patent:** **** Feb. 14, 2012**

(54) **MOP HEAD**

(75) Inventor: **In-Hwan Lee**, Gyeonggi-do (KR)

(73) Assignee: **3M Innovative Properties Company**,
St. Paul, MN (US)

(**) Term: **14 Years**

(21) Appl. No.: **29/390,604**

(22) Filed: **Apr. 27, 2011**

(51) **LOC (9) Cl.** **04-01**

(52) **U.S. Cl.** **D32/50**

(58) **Field of Classification Search** D32/50,
D32/51, 39-45; 15/116.1, 116.2, 119.2,
15/147.1, 147.2, 150, 208, 209.1, 210.1,
15/228; 401/137-140

See application file for complete search history.

(56) **References Cited**

U.S. PATENT DOCUMENTS

D233,400 S *	10/1974	North	D32/50
D365,181 S *	12/1995	Gray et al.	D32/50
D366,740 S *	1/1996	Clausen et al.	D32/50
D503,836 S *	4/2005	Hall et al.	D32/50
D506,050 S *	6/2005	Lalanne et al.	D32/45
D545,019 S *	6/2007	Harper et al.	D32/50
D552,315 S *	10/2007	Harper et al.	D32/40
D564,164 S *	3/2008	Harper et al.	D32/51
D574,566 S *	8/2008	Byrne	D32/50
D585,615 S *	1/2009	Enyuva	D32/50
D588,770 S *	3/2009	Koenig et al.	D32/50
7,552,499 B2 *	6/2009	James et al.	15/144.2

D597,718 S *	8/2009	McNeil et al.	D32/45
D597,719 S *	8/2009	McNeil et al.	D32/51
D599,517 S *	9/2009	Vrdoljak	D32/40
D609,920 S *	2/2010	Lee	D4/138
D620,214 S *	7/2010	Clemen	D32/50
2006/0048327 A1 *	3/2006	Lacotta et al.	15/228
2006/0070196 A1 *	4/2006	Lacotta et al.	15/118

* cited by examiner

Primary Examiner — John Windmuller

(74) *Attorney, Agent, or Firm* — Trisha D. Adamson

(57) **CLAIM**

The ornamental design for a mop head, as shown and described.

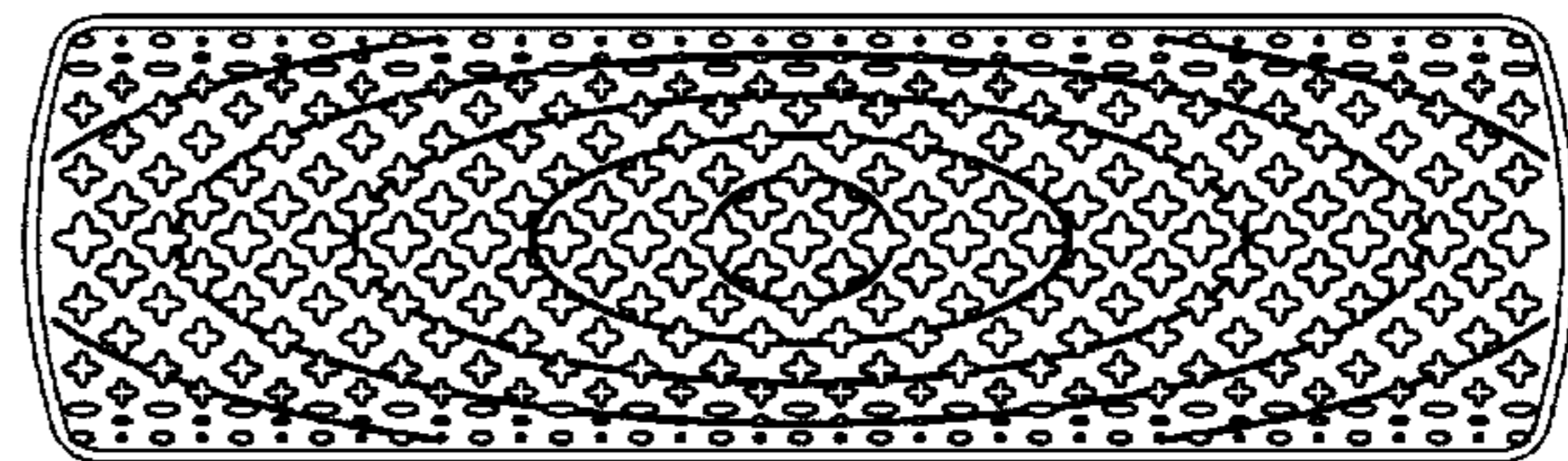
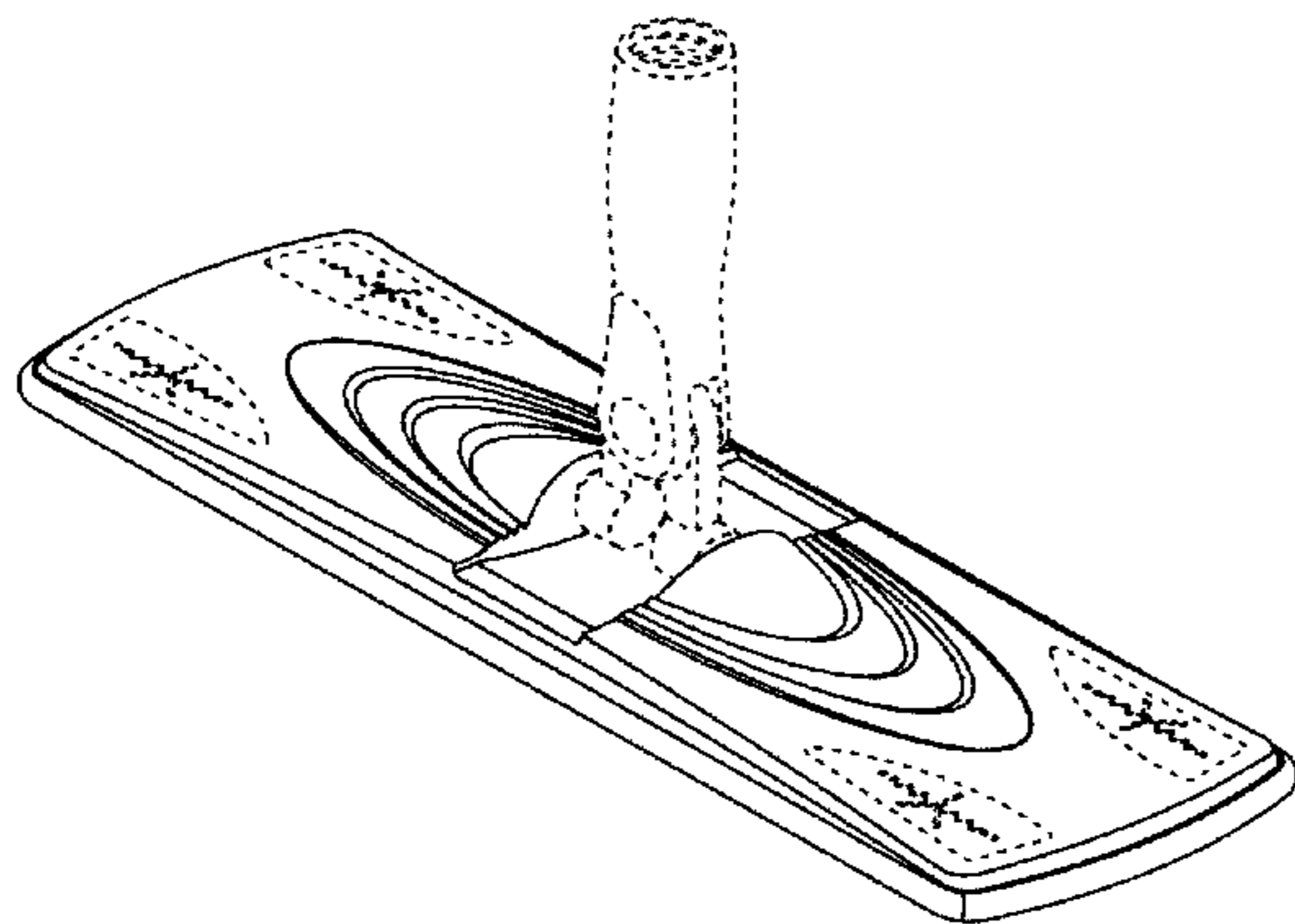
DESCRIPTION

FIG. 1 is a perspective view the new design for a mop;
FIG. 2 is a front view thereof, the rear view being a mirror image thereof;
FIG. 3 is a top view thereof;
FIG. 4 is a bottom view thereof;
FIG. 5 is a right side view thereof, the left side view being a mirror image thereof; and,
FIG. 6 is a perspective view thereof shown attached to a mop handle.

In FIG. 4, the base layer of the bottom is completely flat. In FIG. 4, the crosses and ovals are flat and coplanar with each other.

The broken lines in the drawings are shown for illustrative purposes only and form no part of the claimed design. In addition, the surface shading illustrated in the drawings is provided merely to highlight the contour of design; it is not intended to be illustrative of texture or gloss.

1 Claim, 3 Drawing Sheets



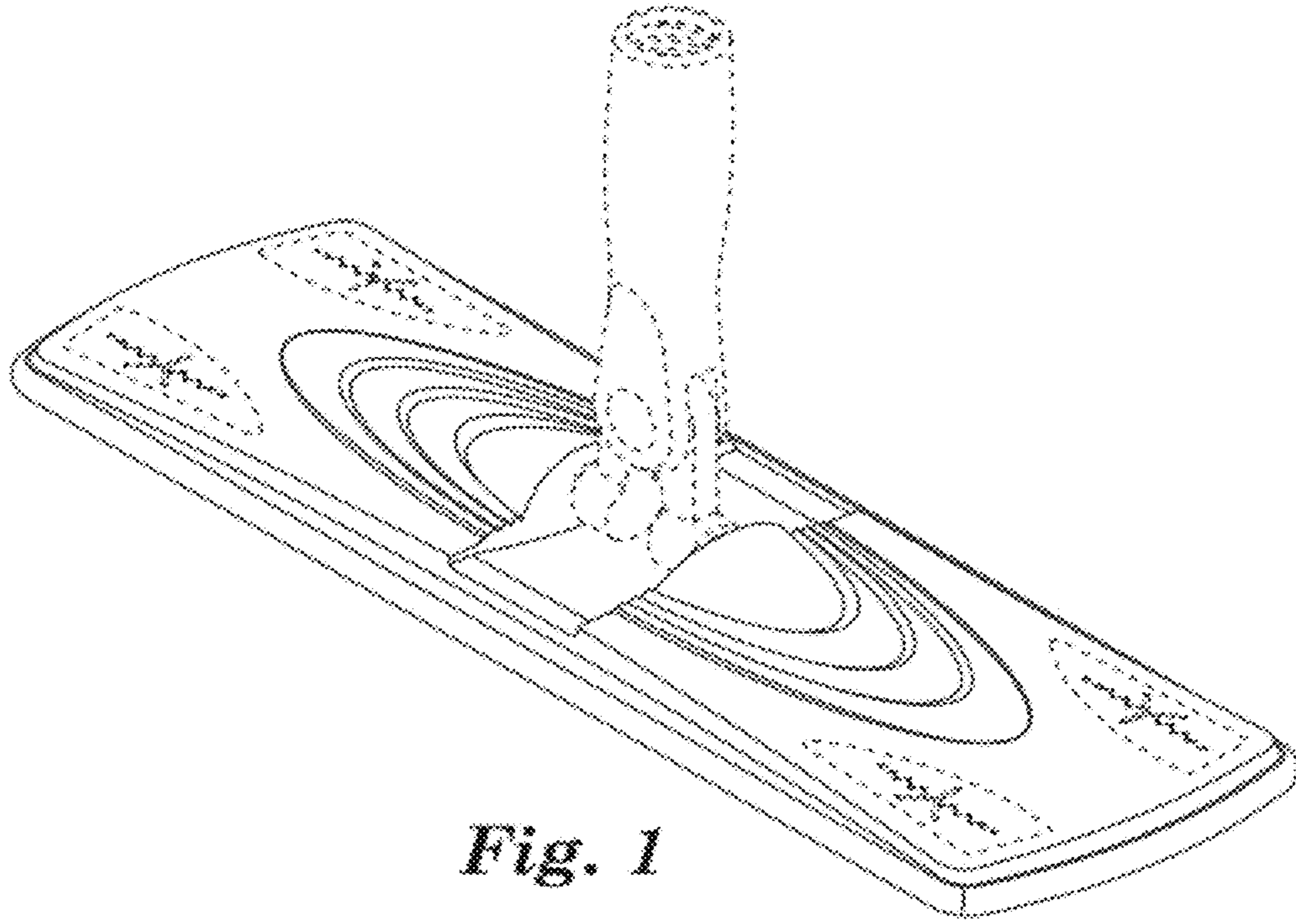


Fig. 1

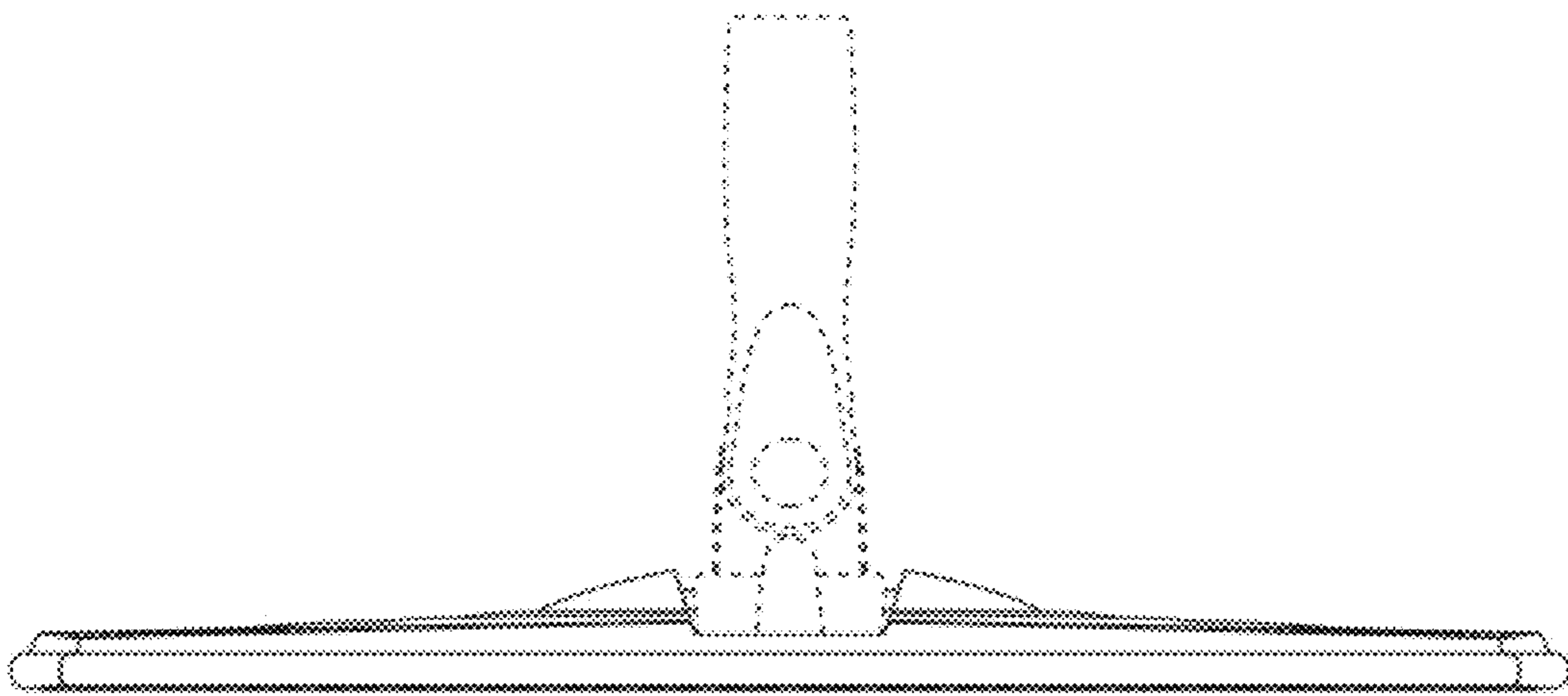


Fig. 2

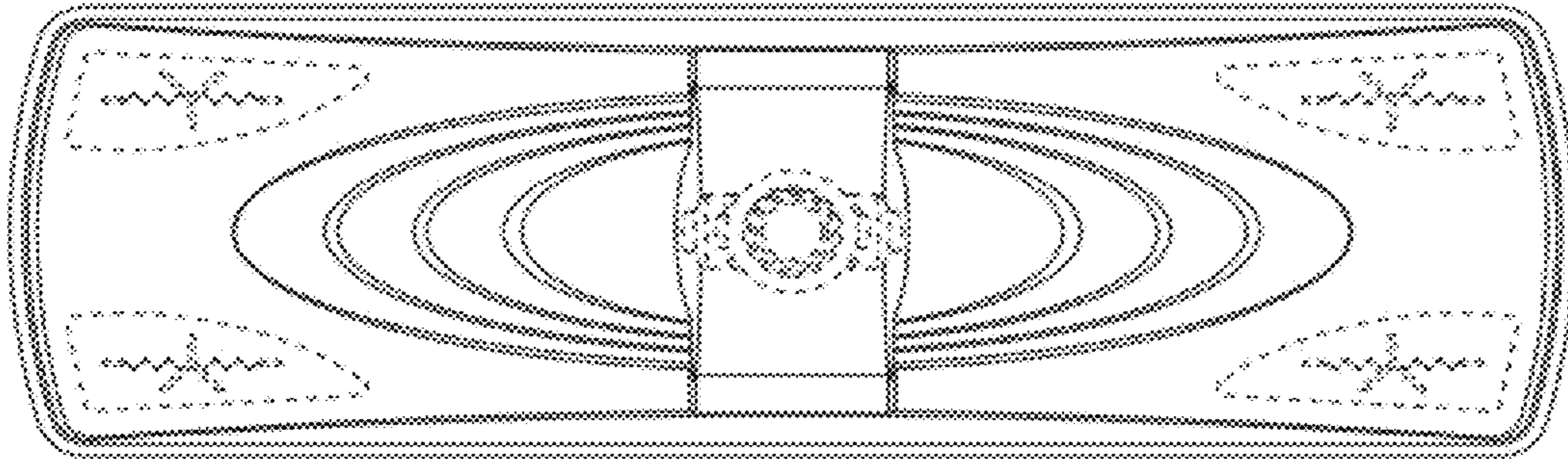


Fig. 3

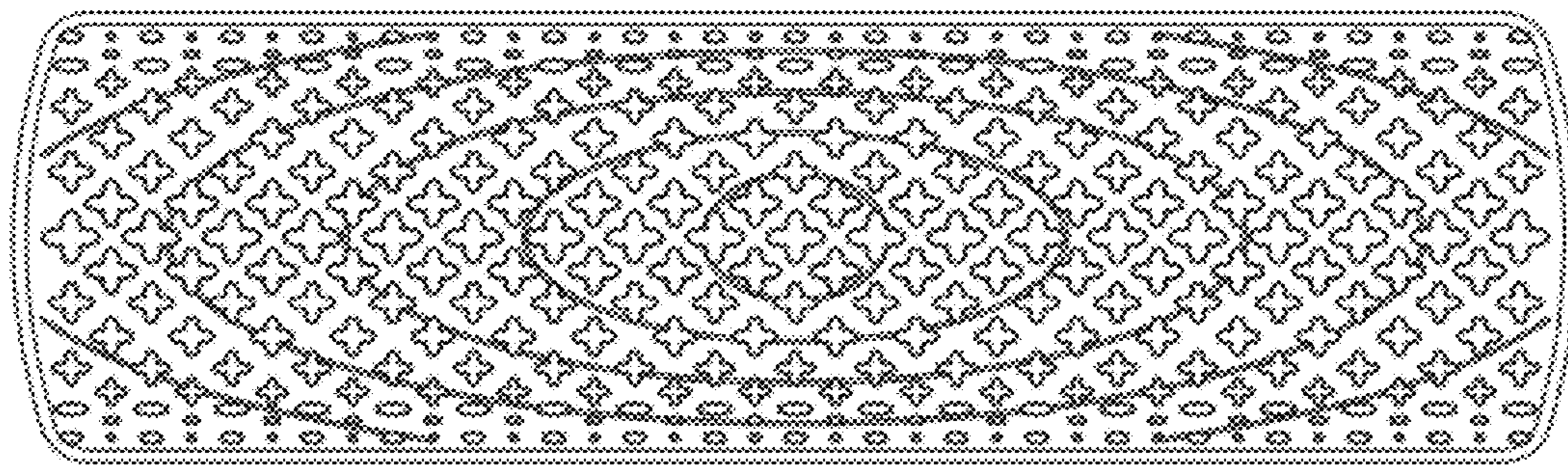


Fig. 4

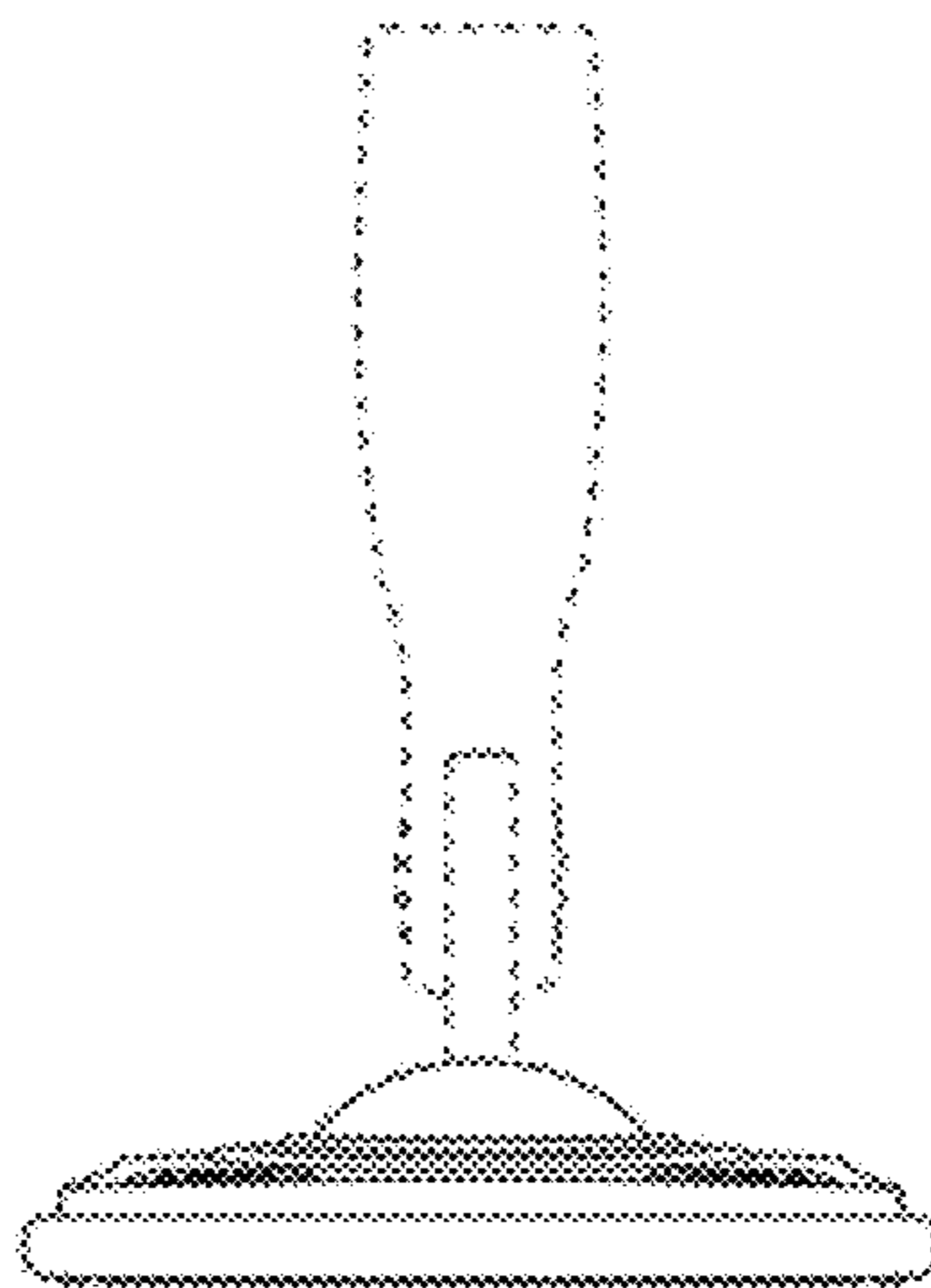


Fig. 5

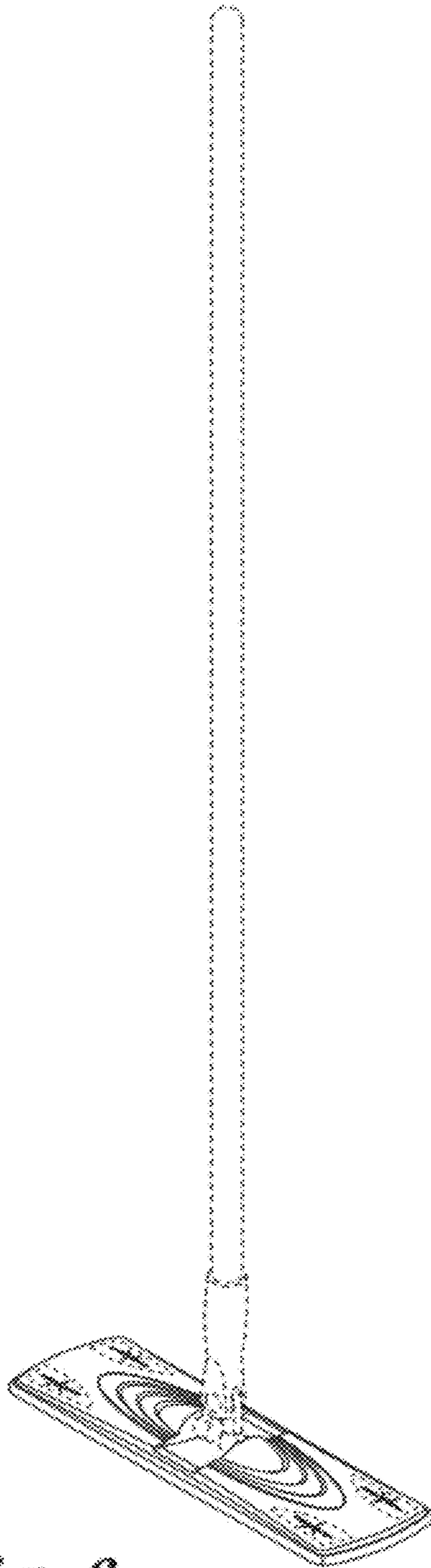


Fig. 6