



US00D654237S

(12) **United States Design Patent**  
**Vrdoljak**

(10) **Patent No.:** **US D654,237 S**

(45) **Date of Patent:** **\*\* Feb. 14, 2012**

(54) **CLEANING FRAME**

(75) Inventor: **Ognjen Vrdoljak**, Laval (CA)

(73) Assignee: **Euro-Pro Operating LLC**, Newton, MA (US)

(\*\*) Term: **14 Years**

(21) Appl. No.: **29/357,541**

(22) Filed: **Mar. 12, 2010**

(51) **LOC (9) Cl.** ..... **15-05**

(52) **U.S. Cl.** ..... **D32/32**

(58) **Field of Classification Search** ..... 15/231,  
15/233, 246.2, 353, 50.1, 98, 118, 302, 182,  
15/179, 168, 228, 319, 403, 209.1, 52.1,  
15/246.3, 320-322, 415.1-422.1, 414, 412,  
15/354, 362, 366, 374, 400, 327.1, 329, 41.1,  
15/42, 48, 171, 176.1, 459.1, 339, 208, 372,  
15/385, 115, 106; D32/45, 50-51, 17, 31-33,  
D32/22, 38-40, 25, 49; 401/138-139, 268;  
68/222; 134/198, 105; D8/349, 382; 248/684,  
248/686, 206.15; 392/404-406; 122/379  
See application file for complete search history.

(56) **References Cited**

**U.S. PATENT DOCUMENTS**

D228,231 S	8/1973	Tichy	
D334,880 S	4/1993	Davey	
D372,661 S	8/1996	Lucas	
D395,225 S	6/1998	Wilde	
6,289,551 B1 *	9/2001	Basile	15/320
D449,977 S	11/2001	Dembowiak et al.	
D468,498 S	1/2003	Santiago et al.	
6,571,421 B1	6/2003	Sham et al.	
D486,279 S	2/2004	Chen	
D487,324 S	3/2004	Santiago et al.	
D489,966 S	5/2004	Ho	
D514,267 S *	1/2006	Tsai	D32/45
D515,759 S *	2/2006	Fischer	D32/45
7,137,169 B2 *	11/2006	Murphy et al.	15/320

D560,469 S	1/2008	Bartol et al.	
D561,959 S	2/2008	Hahn	
D563,212 S	3/2008	Campbell	
D568,016 S	4/2008	Ponikvar et al.	
7,451,519 B2 *	11/2008	Nishinaka et al.	15/231
D590,702 S	4/2009	Giddings	
D615,260 S *	5/2010	Koenig	D32/45
7,722,273 B2 *	5/2010	Tanaka et al.	401/138
7,836,544 B2	11/2010	Jansen	
7,930,798 B2 *	4/2011	Zhou et al.	15/320
2004/0134016 A1 *	7/2004	Kisela et al.	15/320
2007/0130719 A1 *	6/2007	Zhou	15/320
2007/0209139 A1	9/2007	Carlucci et al.	
2008/0066789 A1 *	3/2008	Rosenzweig et al.	134/106
2009/0000051 A1 *	1/2009	Rosenzweig et al.	15/228
2009/0223540 A1	9/2009	Rosenzweig et al.	
2010/0107351 A1	5/2010	Rosenzweig et al.	
2010/0306939 A1 *	12/2010	Dingert	15/115

**OTHER PUBLICATIONS**

U.S. Appl. No. 29/357,576, filed Mar. 13, 2010, Hung.

\* cited by examiner

*Primary Examiner* — Ruth McInroy

(74) *Attorney, Agent, or Firm* — Wolf, Greenfield & Sacks, P.C.

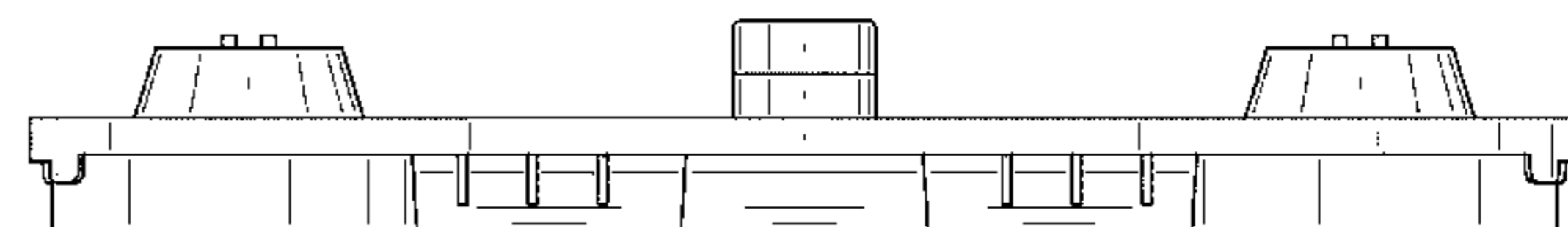
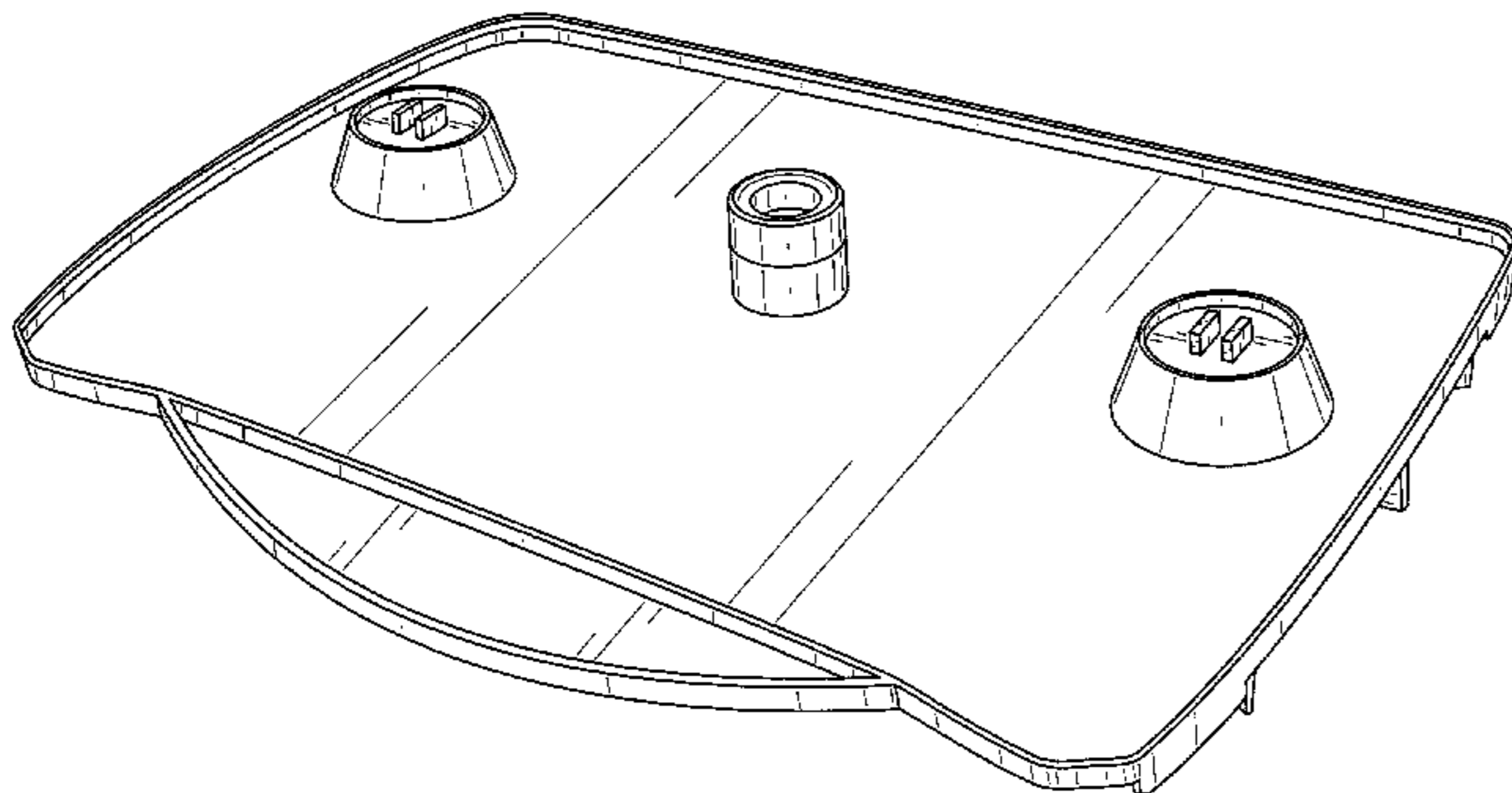
(57) **CLAIM**

The ornamental design for a cleaning frame, as shown and described.

**DESCRIPTION**

FIG. 1 is a top, rear and left side perspective view of a cleaning frame showing my new design;  
FIG. 2 is a rear elevational view thereof;  
FIG. 3 is a front elevational view thereof;  
FIG. 4 is a right side elevational view thereof;  
FIG. 5 is a left side elevational view thereof;  
FIG. 6 is a top plan view thereof; and,  
FIG. 7 is a bottom plan view thereof.

**1 Claim, 5 Drawing Sheets**



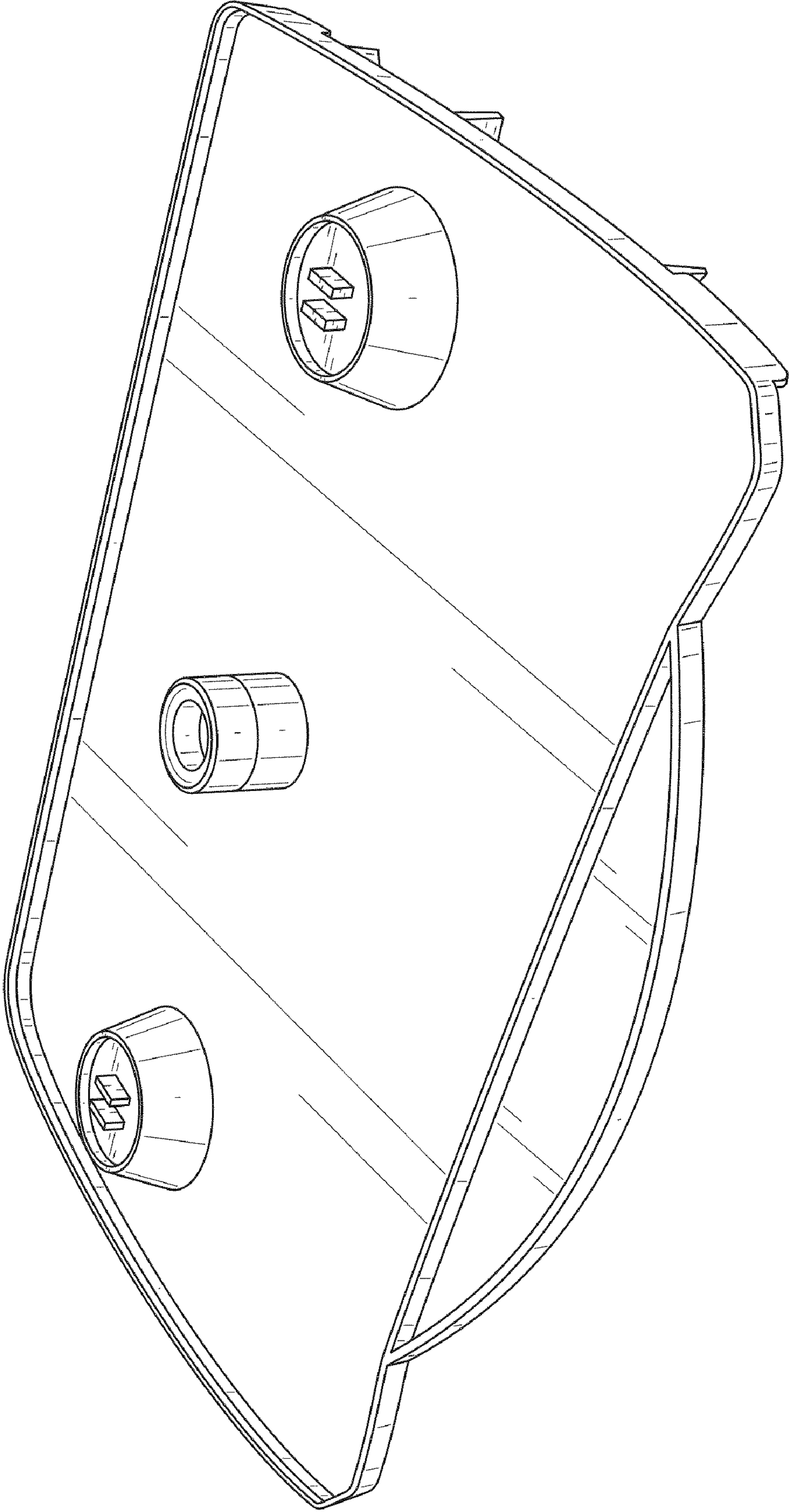


FIG. 1

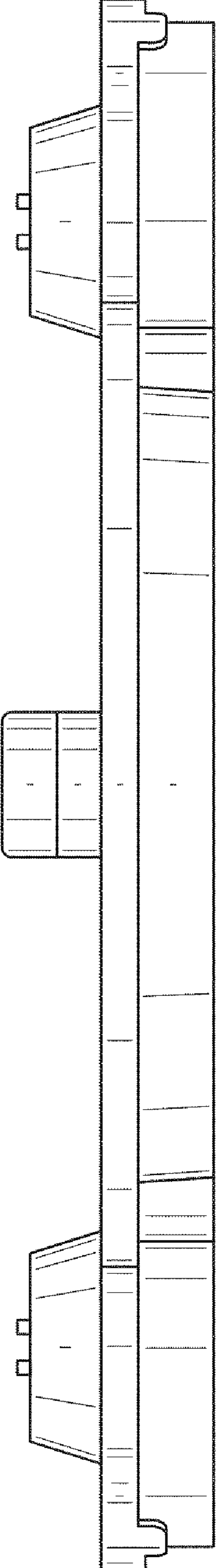


FIG. 2

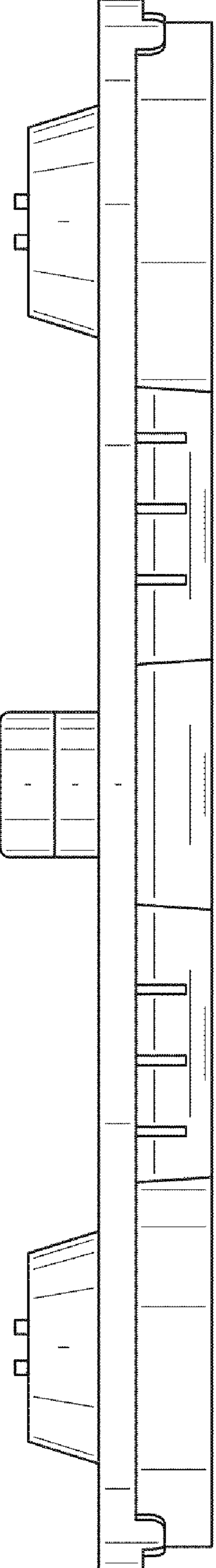


FIG. 3

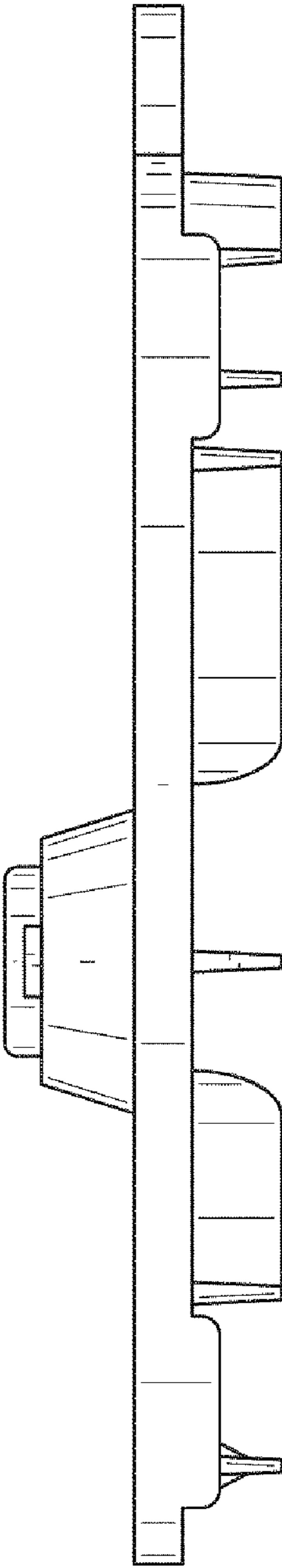


FIG. 4

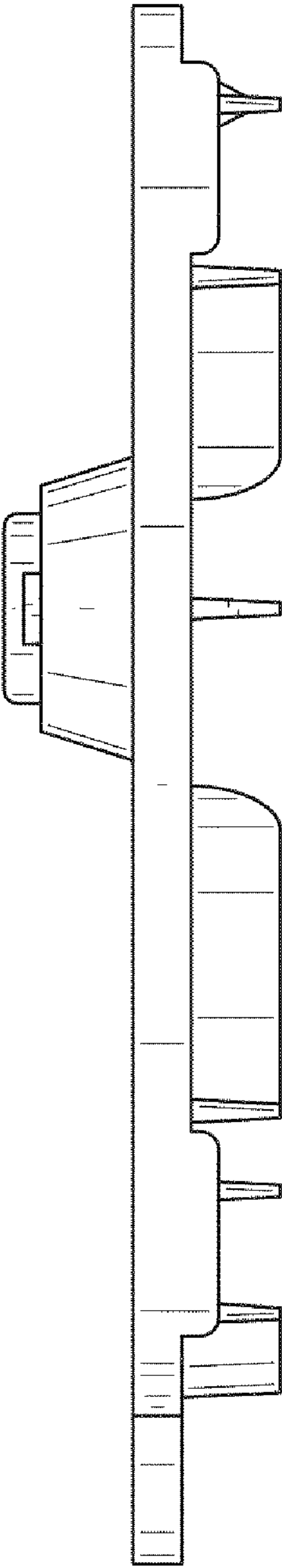


FIG. 5



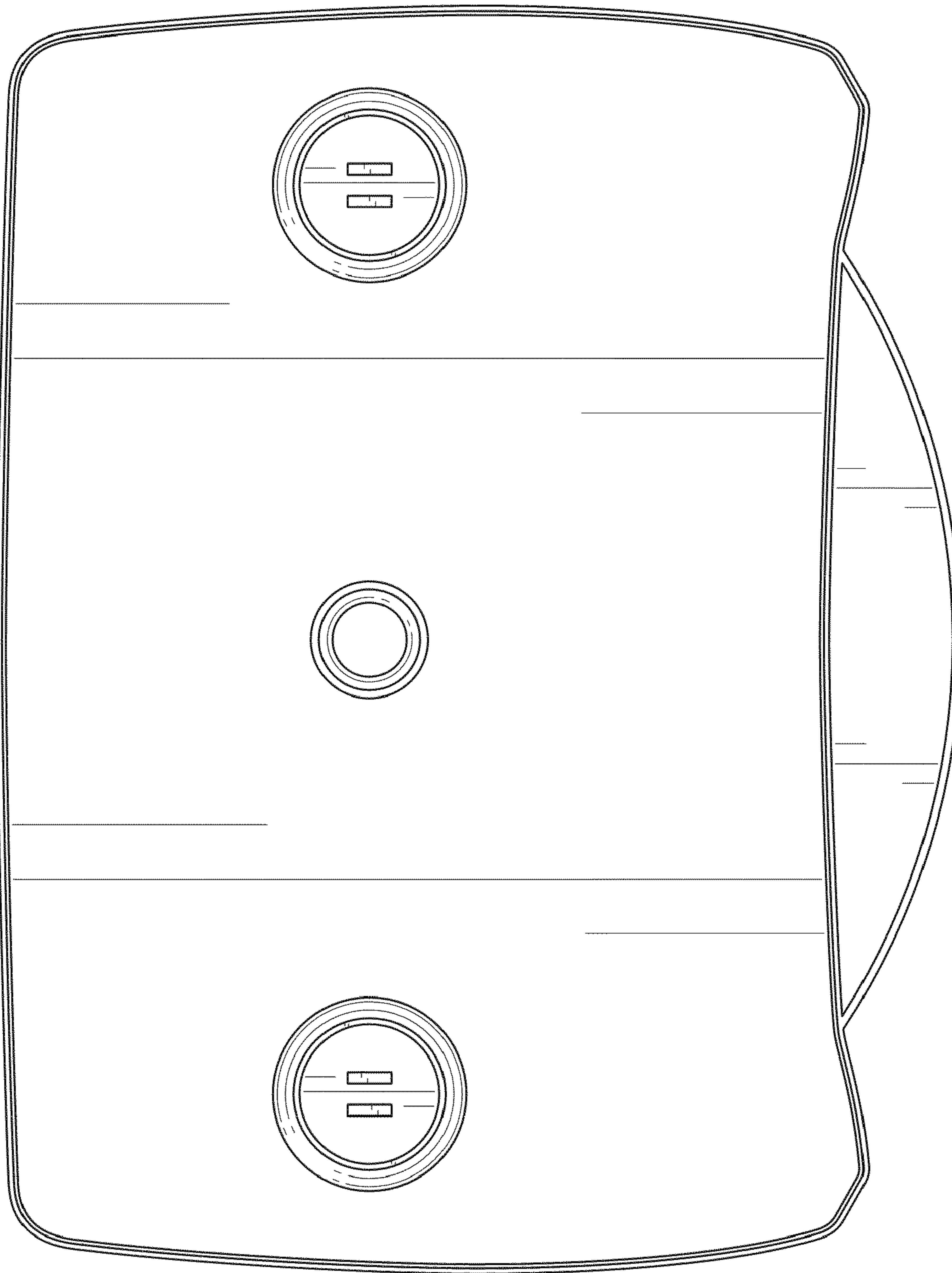


FIG. 6

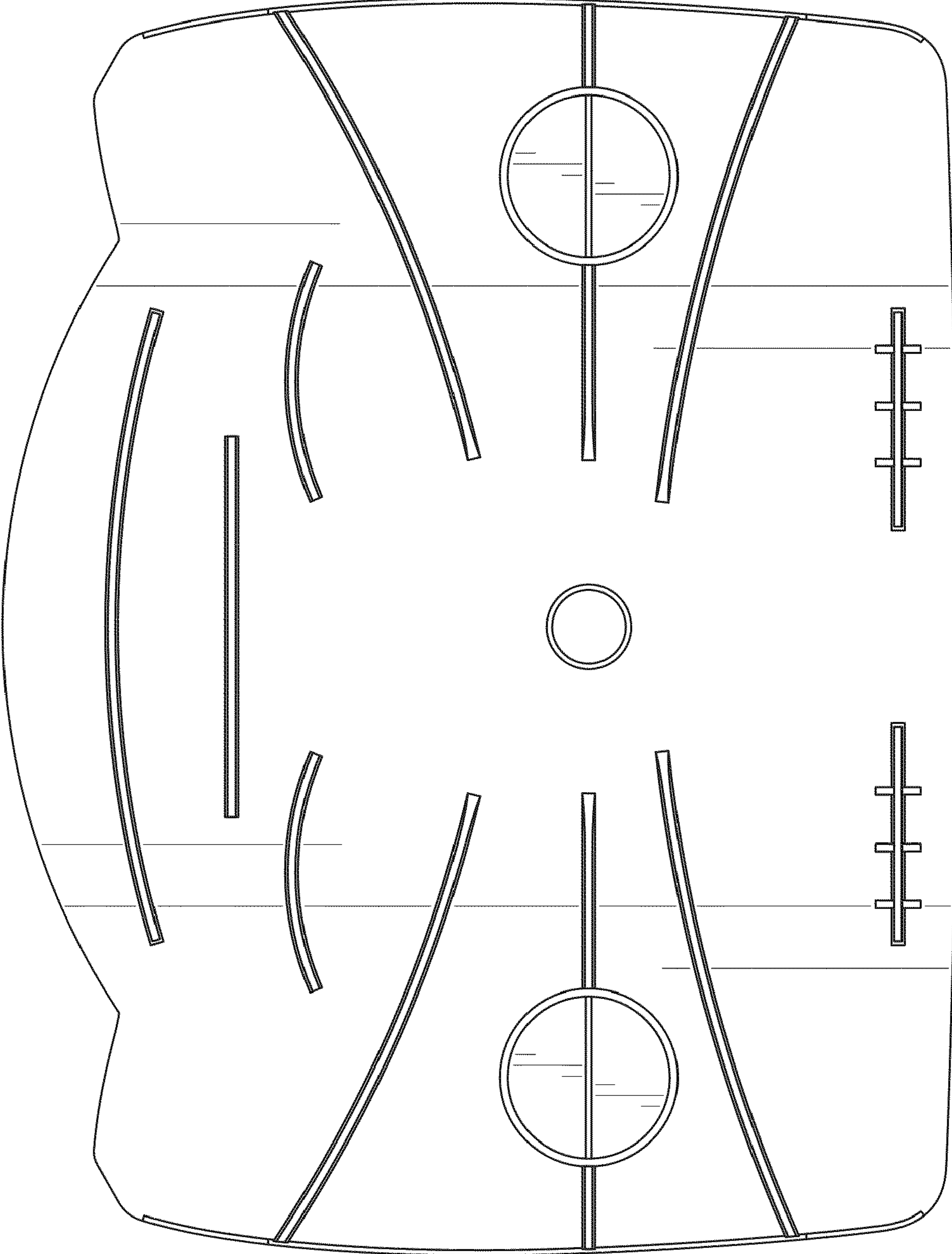


FIG. 7