



US00D654236S

(12) **United States Design Patent**
Hung

(10) **Patent No.:** **US D654,236 S**

(45) **Date of Patent:** **** Feb. 14, 2012**

(54) **PAIR OF SEATING MEMBERS FOR A
CLEANING APPLIANCE ATTACHMENT**

(75) Inventor: **Chow Hung**, Tai Po (HK)

(73) Assignee: **Euro-Pro Operating LLC**, Newton,
MA (US)

(**) Term: **14 Years**

(21) Appl. No.: **29/357,576**

(22) Filed: **Mar. 13, 2010**

(51) **LOC (9) Cl.** **15-05**

(52) **U.S. Cl.** **D32/31; D32/32**

(58) **Field of Classification Search** D32/50,
D32/17, 31-33, 22, 51, 38-40, 45, 25, 49;
15/182, 179, 168, 228, 319, 403, 209.1, 52,
15/1, 246.3, 320-322, 415.1-422.1, 414,
15/412, 354, 362, 366, 374, 400, 327.1, 329,
15/41.1, 42, 48, 171, 176.1, 159.1, 339, 208,
15/372, 385, 115, 106, 246.2; 401/138-139;
68/222; 134/198, 105; D8/349, 382; 248/684,
248/686, 206.15; 392/403-404

See application file for complete search history.

(56) **References Cited**

U.S. PATENT DOCUMENTS

D228,231	S	*	8/1973	Tichy	D8/382
D334,880	S	*	4/1993	Davey	D8/352
D372,661	S	*	8/1996	Lucas	D8/352
D395,225	S	*	6/1998	Wilde	D8/346
D449,977	S	*	11/2001	Dembowiak et al.	D8/367
D468,498	S	*	1/2003	Santiago et al.	D32/31
6,571,421	B1	*	6/2003	Sham et al.	15/320
D486,279	S	*	2/2004	Chen	D32/17
D487,324	S	*	3/2004	Santiago et al.	D32/32

D489,966	S	*	5/2004	Ho	D8/382
7,137,169	B2	*	11/2006	Murphy et al.	15/320
D560,469	S	*	1/2008	Bartol et al.	D8/349
D561,959	S	*	2/2008	Hahn	D32/22
D563,212	S	*	3/2008	Campbell	D8/382
D568,016	S	*	4/2008	Ponikvar et al.	D32/32
D590,702	S	*	4/2009	Giddings	D8/382
7,836,544	B2	*	11/2010	Jansen	15/320
2007/0209139	A1	*	9/2007	Carlucci et al.	15/322
2009/0223540	A1	*	9/2009	Rosenzweig et al.	134/105
2010/0107351	A1	*	5/2010	Rosenzweig et al.	15/209.1

OTHER PUBLICATIONS

U.S. Appl. No. 29/357,541, filed Mar. 12, 2010, Ognjen Vrdoljak.

* cited by examiner

Primary Examiner — Ruth McInroy

(74) *Attorney, Agent, or Firm* — Wolf, Greenfield & Sacks, P.C.

(57) **CLAIM**

The ornamental design for a pair of seating members for a cleaning appliance attachment, as shown and described.

DESCRIPTION

FIG. 1 is a top, rear and left side view of a pair of seating members for a cleaning appliance attachment showing my new design;

FIG. 2 is a rear elevational view thereof;

FIG. 3 is a front elevational view thereof;

FIG. 4 is a right side elevational view thereof;

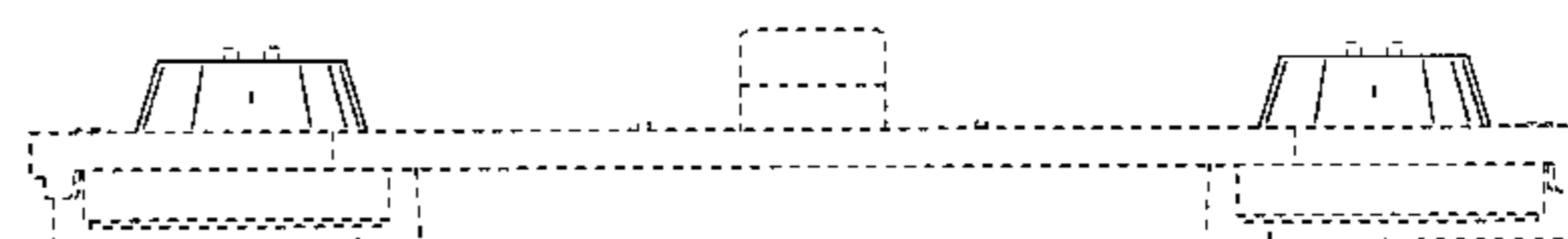
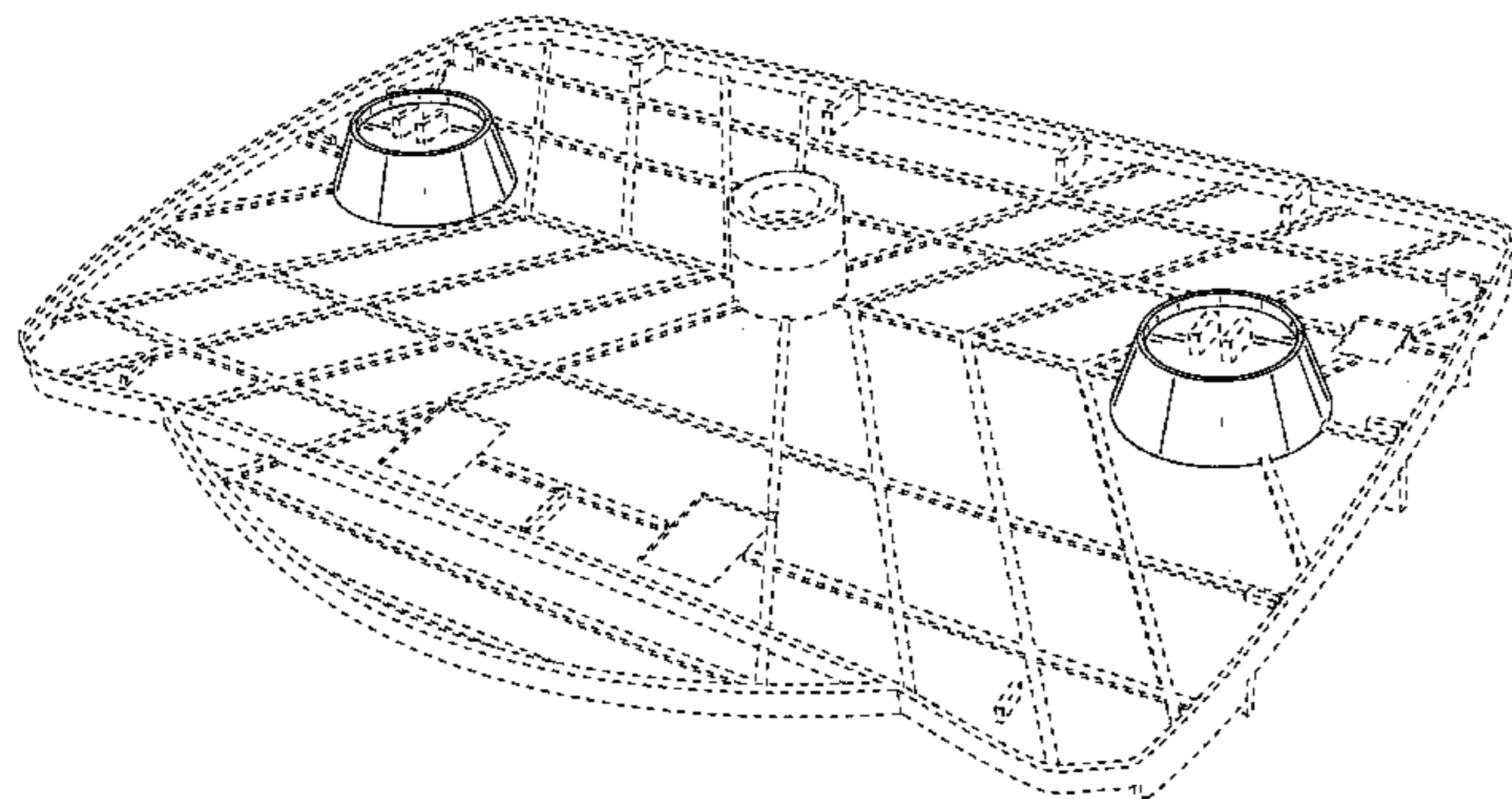
FIG. 5 is a left side elevational view thereof;

FIG. 6 is a top plan view thereof; and,

FIG. 7 is a bottom plan view thereof.

The details shown in broken lines shown are for illustrative purposes only and form no part of the claimed design.

1 Claim, 5 Drawing Sheets



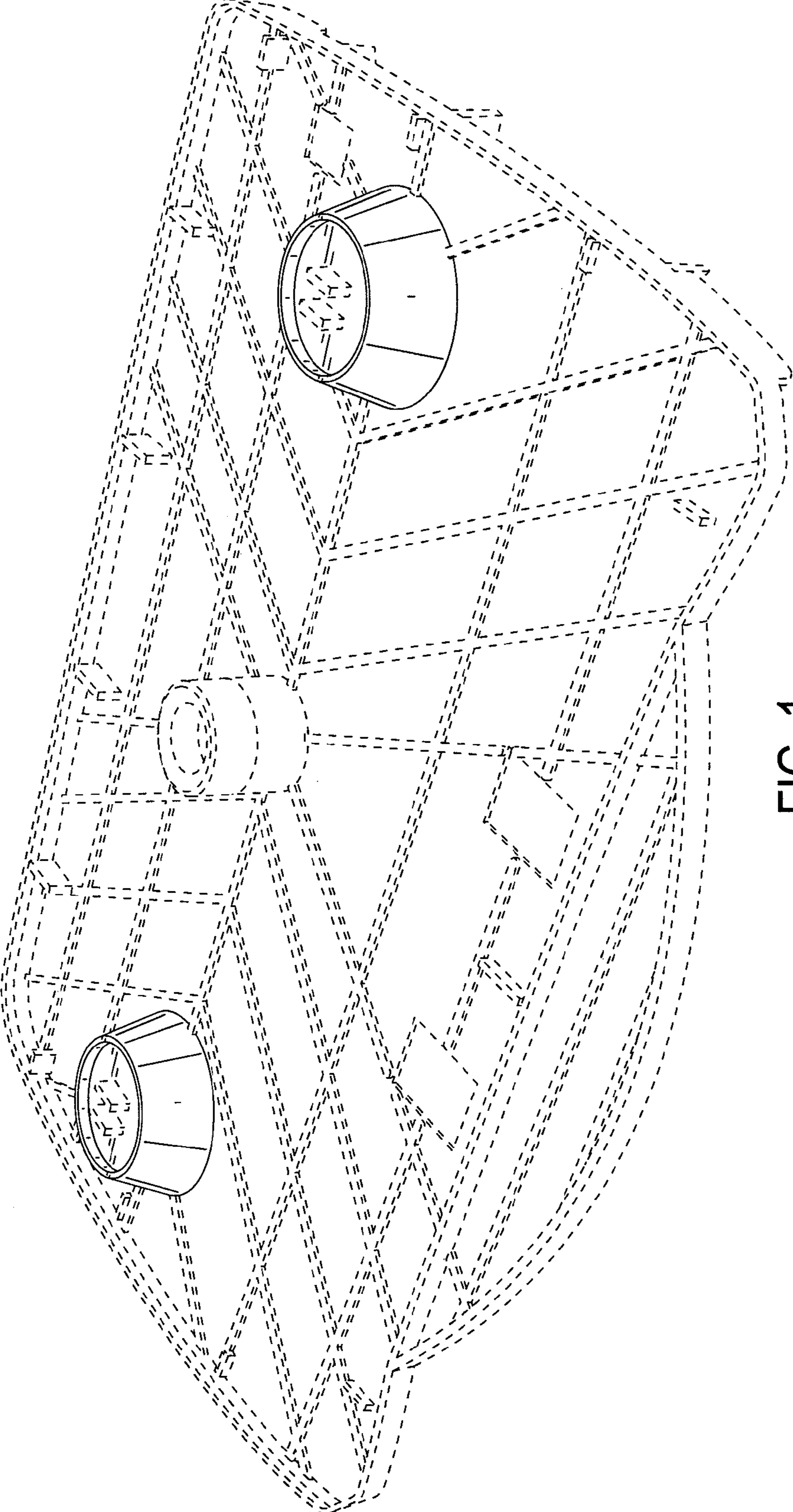


FIG. 1

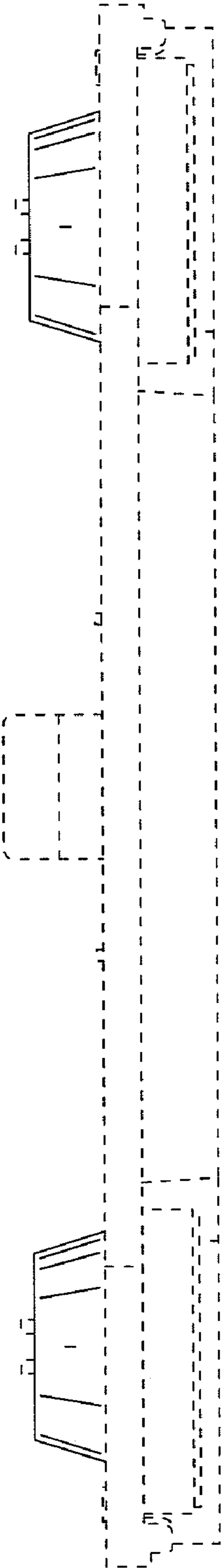


FIG. 2

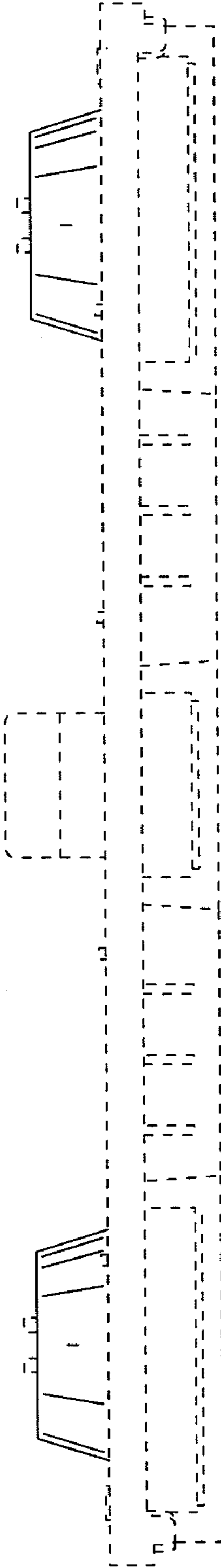


FIG. 3

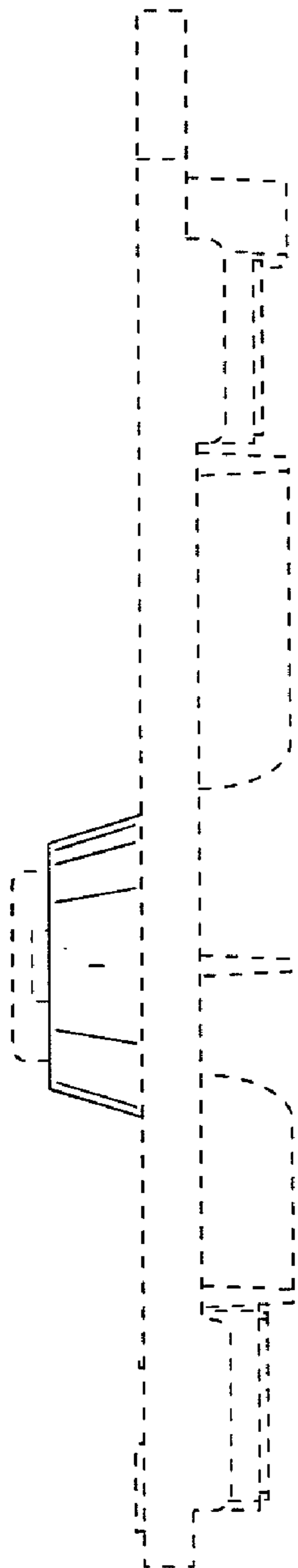


FIG. 4

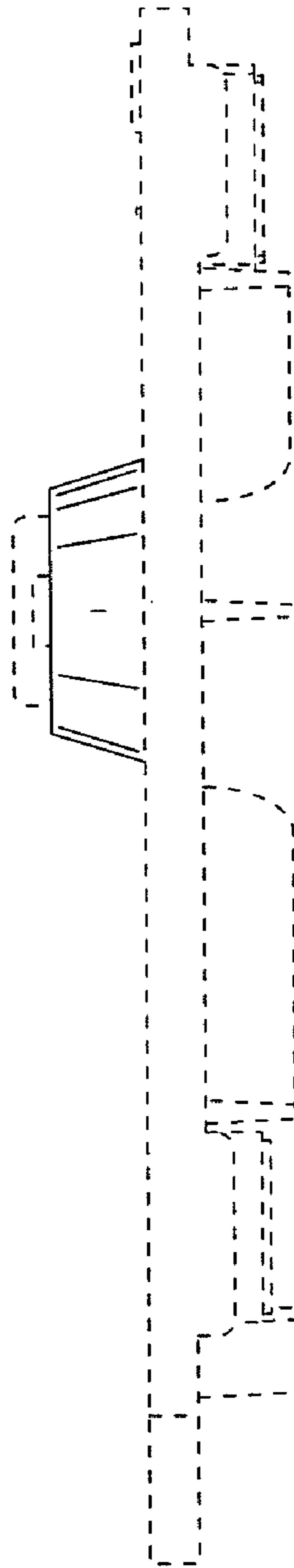


FIG. 5

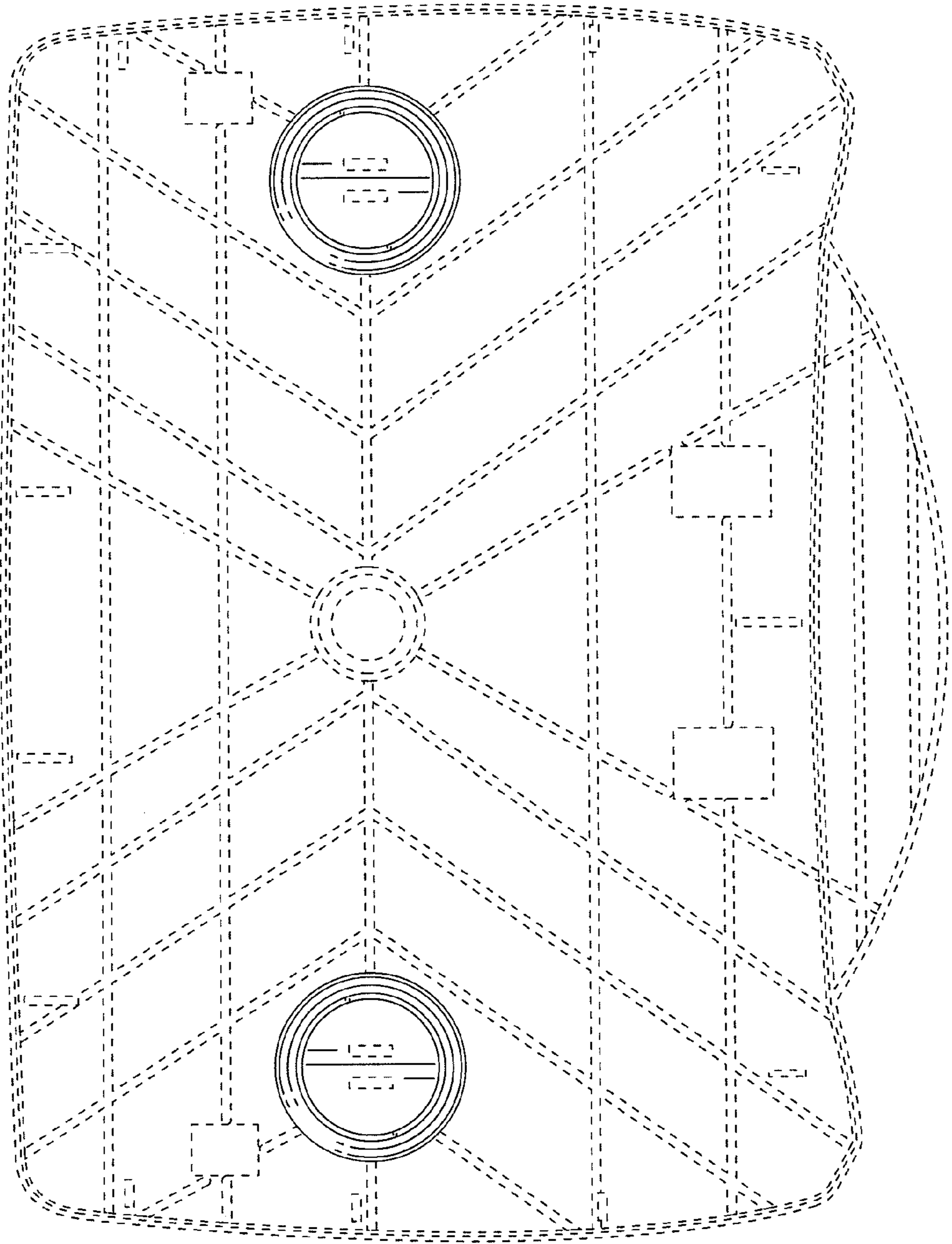


FIG. 6

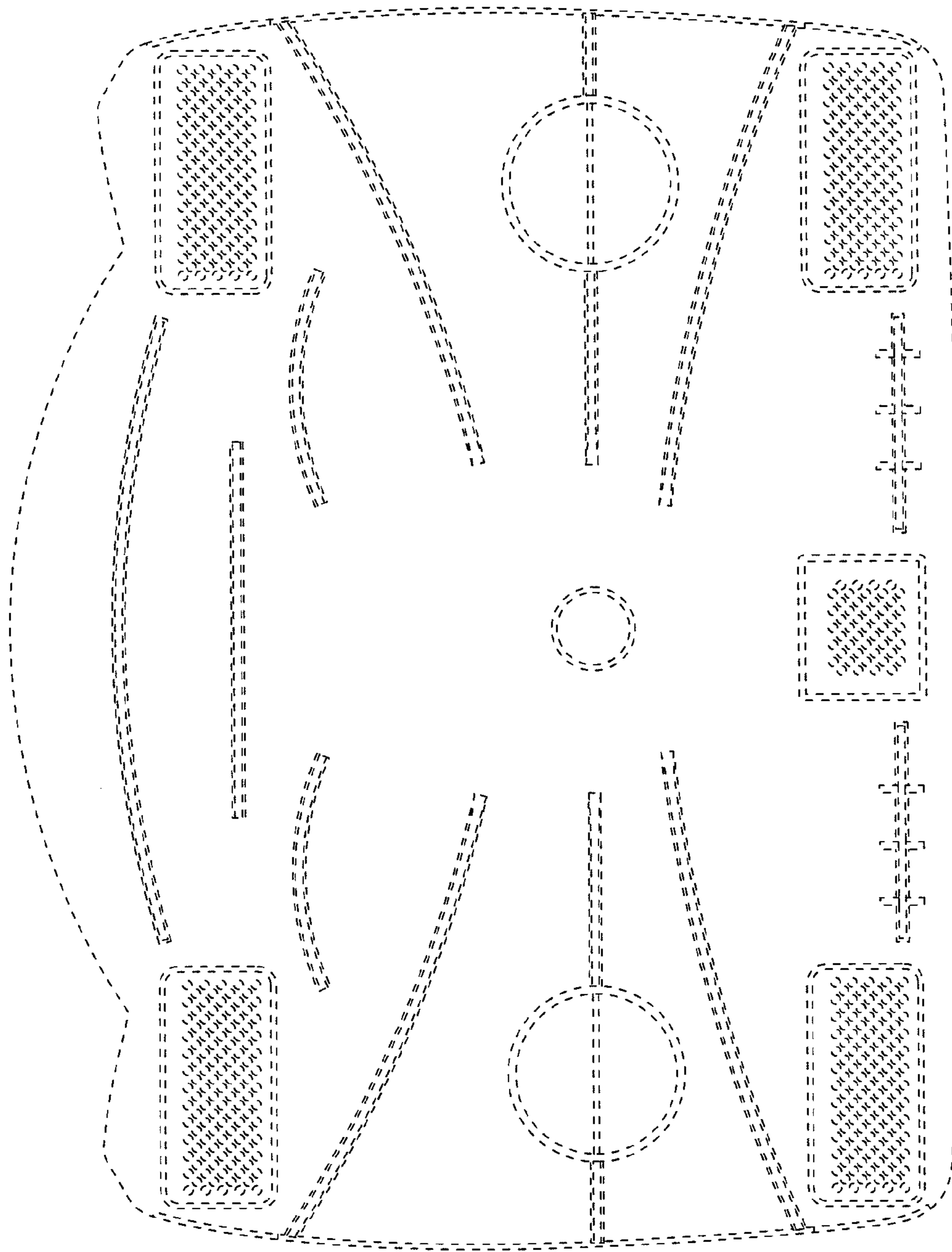


FIG. 7