



US00D654234S

(12) **United States Design Patent**
Hein

(10) **Patent No.:** **US D654,234 S**

(45) **Date of Patent:** **** Feb. 14, 2012**

(54) **VACUUM BAG**

(75) Inventor: **Robin Hein**, Littleton, CO (US)

(73) Assignee: **Karcher North America, Inc.**,
Englewood, CO (US)

(**) Term: **14 Years**

(21) Appl. No.: **29/380,623**

(22) Filed: **Dec. 8, 2010**

(51) **LOC (9) Cl.** **15-05**

(52) **U.S. Cl.** **D32/30**

(58) **Field of Classification Search** D32/25,
D32/30-31; 55/367, 373-374, 376-378,
55/DIG. 2, DIG. 3; 15/347-353
See application file for complete search history.

(56) **References Cited**

U.S. PATENT DOCUMENTS

1,596,041 A	8/1926	Young	
1,632,665 A	6/1927	Mitchell	
1,639,959 A	8/1927	Owen	
1,888,339 A	11/1932	White	
1,900,889 A	3/1933	Becker	
1,995,084 A	3/1935	Wichle	
1,999,696 A	4/1935	Kitto	
2,192,397 A	3/1940	Carlson	
2,263,762 A	11/1941	Dow et al.	
2,668,979 A	2/1954	MacFarland	
2,709,070 A	5/1955	Bielstein	
2,864,462 A *	12/1958	Brace	55/367
3,005,224 A	10/1961	Magarian	
3,020,576 A	2/1962	Gerber	
3,040,363 A	6/1962	Krammes et al.	
3,065,490 A	11/1962	Arones	
3,093,853 A	6/1963	Tamny	
3,186,021 A	6/1965	Krier et al.	
3,189,931 A	6/1965	Krier et al.	
3,193,862 A	7/1965	Lyon	
3,204,280 A	9/1965	Campbell	
3,206,787 A	9/1965	Daniels et al.	
3,233,274 A	2/1966	Kroll	
3,284,830 A	11/1966	Kroll	
3,322,350 A	5/1967	Heinicke	
D213,586 S *	3/1969	Howard et al.	D32/30
3,436,788 A	4/1969	Tamny	

3,461,479 A	8/1969	Tierney
3,504,858 A	4/1970	Liddiard
RE26,950 E	9/1970	Hays
3,584,439 A	6/1971	Gronholz
3,604,051 A	9/1971	Wendall et al.
3,631,558 A	1/1972	Kovacevoc

(Continued)

FOREIGN PATENT DOCUMENTS

AT 0231900 2/1964
(Continued)

OTHER PUBLICATIONS

“Minky 16,” FIMAP, Italian Customized Cleaning, 2007, 8 pages.
(Continued)

Primary Examiner — T. Chase Nelson
Assistant Examiner — Kathleen M Sims
(74) *Attorney, Agent, or Firm* — Sheridan Ross P.C.

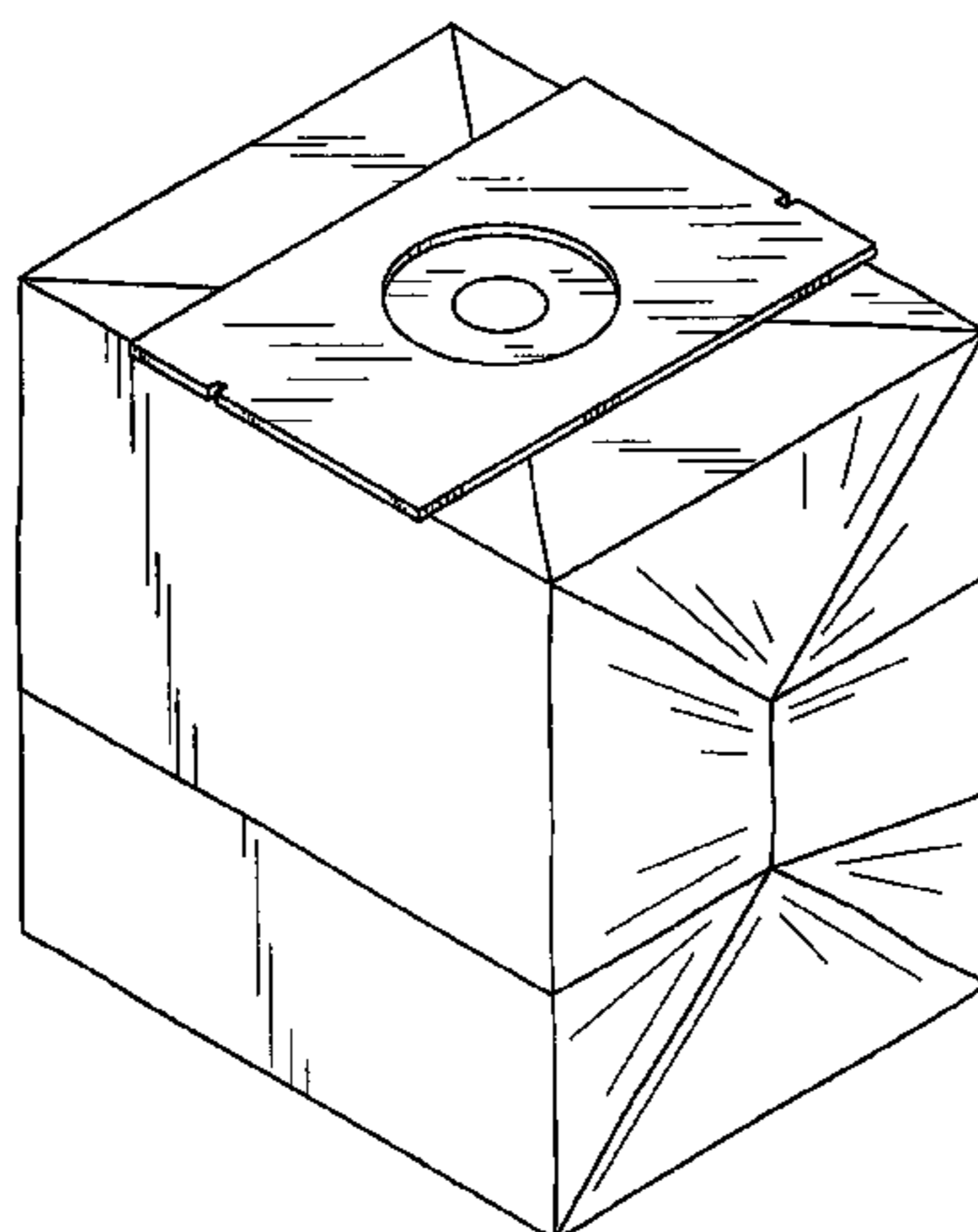
(57) **CLAIM**

The ornamental design for a vacuum bag, as shown and described.

DESCRIPTION

FIG. 1 is a perspective view of a the vacuum bag showing the new design;
FIG. 2 is a top plan view thereof;
FIG. 3 is a front elevation view thereof;
FIG. 4 is a bottom plan view thereof;
FIG. 5 is a left elevation view thereof;
FIG. 6 is a right elevation view thereof;
FIG. 7 is a rear elevation view thereof;
FIG. 8 is a perspective view thereof in a second position of use wherein the vacuum bag is partially folded;
FIG. 9 is a perspective view thereof in a third position of use wherein the vacuum bag is folded;
FIG. 10 is a top plan view thereof;
FIG. 11 is a left elevation view thereof;
FIG. 12 is a front elevation view thereof;
FIG. 13 is a bottom plan view thereof;
FIG. 14 is a rear elevation view thereof; and,
FIG. 15 is a right elevation view thereof.

1 Claim, 6 Drawing Sheets



US D654,234 S

U.S. PATENT DOCUMENTS					
3,639,936 A	2/1972	Ashton	4,991,254 A	2/1991	Roden et al.
3,701,177 A	10/1972	Meyer et al.	5,005,597 A	4/1991	Popelier et al.
3,705,437 A	12/1972	Rukauina, Jr. et al.	5,026,488 A	6/1991	Mesheau
3,705,746 A	12/1972	McLeod	5,027,464 A	7/1991	Knowlton
3,755,993 A *	9/1973	Cote 55/370	5,044,043 A	9/1991	Field et al.
3,797,744 A	3/1974	Smith	5,054,150 A	10/1991	Best et al.
3,833,961 A	9/1974	Fortman et al.	5,054,158 A	10/1991	Williams et al.
3,837,029 A	9/1974	Kasper	5,075,921 A	12/1991	Gleadall
3,846,865 A	11/1974	Holman	5,090,083 A	2/1992	Wulff
3,871,826 A	3/1975	Bakay	5,093,955 A	3/1992	Blehert et al.
3,879,789 A	4/1975	Kasper	5,109,566 A	5/1992	Kobayashi et al.
3,883,301 A	5/1975	Emrick et al.	5,127,124 A	7/1992	Palmer et al.
3,886,623 A	6/1975	Landesman et al.	5,135,080 A	8/1992	Haston
3,892,003 A	7/1975	Peabody	5,174,730 A	12/1992	Nieuwkamp et al.
3,896,520 A	7/1975	Williams	5,184,372 A	2/1993	Mache
3,927,899 A	12/1975	Bough	5,212,848 A	5/1993	Geyer
3,933,451 A *	1/1976	Johansson 55/367	5,217,166 A	6/1993	Schulze et al.
3,955,236 A	5/1976	Mekelburg	5,221,026 A	6/1993	Williams
4,010,507 A	3/1977	Johnson	5,226,941 A *	7/1993	Uibel et al. 55/367
4,019,218 A	4/1977	Cyphert	5,239,720 A	8/1993	Wood et al.
4,037,289 A	7/1977	Dojan	5,245,144 A	9/1993	Stammen
4,041,567 A	8/1977	Burgoon	5,279,672 A	1/1994	Betker et al.
4,046,321 A	9/1977	Hewett	5,303,448 A	4/1994	Hennessey et al.
4,108,268 A	8/1978	Block	5,307,538 A	5/1994	Rench et al.
4,109,342 A	8/1978	Vermillion	5,311,892 A	5/1994	Adelt et al.
4,135,669 A	1/1979	Bridges et al.	5,349,718 A	9/1994	Gibbon
4,173,052 A	11/1979	Burgoon et al.	5,364,114 A	11/1994	Petersen
4,196,492 A	4/1980	Johnson et al.	5,377,376 A	1/1995	Wood et al.
4,200,952 A	5/1980	Smies et al.	5,377,382 A	1/1995	Bores et al.
4,200,953 A	5/1980	Overton	5,383,605 A	1/1995	Teague
4,210,978 A	7/1980	Johnson et al.	5,390,690 A	2/1995	Blaga
4,214,338 A	7/1980	Kyle et al.	5,403,473 A	4/1995	Moorehead et al.
4,219,901 A	9/1980	Burgoon et al.	5,416,949 A	5/1995	Jute
4,293,971 A	10/1981	Block	5,419,006 A	5/1995	Duthie
4,310,944 A	1/1982	Kroll et al.	5,426,805 A	6/1995	Fisher
4,314,385 A	2/1982	Wimsatt et al.	5,435,038 A	7/1995	Sauers
4,328,014 A	5/1982	Burgoon et al.	5,455,985 A	10/1995	Hamline et al.
4,339,841 A	7/1982	Walhauser et al.	5,465,451 A	11/1995	Stegens
4,348,783 A	9/1982	Swanson et al.	5,465,456 A	11/1995	Fellhauer et al.
4,354,569 A	10/1982	Eichholz	5,467,500 A	11/1995	O'Hara et al.
4,363,152 A	12/1982	Karpanty	5,485,653 A	1/1996	Knowlton et al.
4,383,551 A	5/1983	Lynch et al.	5,500,979 A	3/1996	Worwag
4,429,433 A	2/1984	Burgoon	5,502,868 A	4/1996	Braeendle
D273,621 S	4/1984	Haub et al.	5,509,162 A	4/1996	Burgoon
4,457,036 A	7/1984	Carlson et al.	D370,320 S	5/1996	Hachtmann
4,457,043 A	7/1984	Oeberg et al.	5,524,320 A	6/1996	Zachhuber
4,467,494 A	8/1984	Jones	5,537,712 A	7/1996	Weber et al.
4,492,002 A	1/1985	Waldhauser et al.	5,555,595 A	9/1996	Ligman
4,499,624 A	2/1985	Bloom et al.	5,555,596 A	9/1996	Knowlton et al.
4,532,667 A	8/1985	Komesker et al.	5,607,178 A	3/1997	Legatt et al.
4,538,695 A	9/1985	Bradt	5,608,947 A	3/1997	Knowlton et al.
4,554,701 A	11/1985	Van Raaij	5,611,108 A	3/1997	Knowlton et al.
4,572,023 A	2/1986	Euler	5,620,309 A	4/1997	Todden et al.
4,580,313 A	4/1986	Blehert	5,628,086 A	5/1997	Knowlton et al.
4,586,208 A	5/1986	Trevarthen	D381,480 S *	7/1997	Linville et al. D32/30
4,596,061 A	6/1986	Henning	5,653,261 A	8/1997	Dalhart et al.
4,611,363 A	9/1986	Samuelsson	5,742,975 A	4/1998	Knowlton et al.
4,654,918 A	4/1987	Cooper	5,785,453 A	7/1998	Marty et al.
D290,053 S	5/1987	Block	5,802,665 A	9/1998	Knowlton et al.
D290,054 S	5/1987	Block	5,898,970 A	5/1999	Straiton
4,675,935 A	6/1987	Kasper et al.	5,901,409 A	5/1999	Schick et al.
4,696,593 A	9/1987	Bayless	5,943,733 A	8/1999	Tagliaferri
4,715,087 A	12/1987	Todd et al.	5,984,031 A	11/1999	Velke et al.
4,759,094 A	7/1988	Palmer et al.	6,023,813 A	2/2000	Thatcher et al.
4,773,113 A	9/1988	Russell	6,030,465 A	2/2000	Marcussen et al.
4,787,646 A	11/1988	Kamlukin et al.	6,041,471 A	3/2000	Charky et al.
4,799,286 A	1/1989	Rubin	6,059,055 A	5/2000	Velke et al.
4,805,258 A	2/1989	Sitarski et al.	6,088,873 A	7/2000	Pacchini et al.
4,809,397 A	3/1989	Jacobs et al.	6,145,855 A	11/2000	Bellis, Jr. et al.
4,819,676 A	4/1989	Blehert et al.	6,158,084 A	12/2000	Weber et al.
4,821,958 A	4/1989	Shaffer	6,158,673 A	12/2000	Toetschinger
4,839,037 A	6/1989	Bertelsen et al.	6,206,980 B1	3/2001	Robinson
4,847,944 A	7/1989	Lackner	6,212,731 B1	4/2001	Eckerlein
4,850,077 A	7/1989	Venturini	6,230,363 B1	5/2001	Kawai et al.
4,879,784 A	11/1989	Shero	6,266,892 B1	7/2001	Haynie
4,884,313 A	12/1989	Zoni	6,283,170 B1	9/2001	Robinson
4,920,997 A	5/1990	Vetter et al.	6,338,013 B1	1/2002	Ruffner
4,922,575 A	5/1990	Riemann	6,367,120 B2	4/2002	Beauchamp
			6,397,429 B1	6/2002	Legatt et al.

US D654,234 S

				FOREIGN PATENT DOCUMENTS
6,425,958	B1	7/2002 Giddings et al.		
6,428,590	B1	8/2002 Lehman et al.		
6,431,217	B2	8/2002 Robinson	AU	226251 6/1959
6,442,789	B1	9/2002 Legatt et al.	BR	PI 0511488 1/2008
6,450,867	B1	9/2002 Legatt	CA	2242793 5/1999
6,453,506	B1	9/2002 Sumner	CA	2268234 10/1999
6,464,025	B1	10/2002 Koepfer et al.	DE	1023867 2/1958
6,484,353	B2	11/2002 Rau	DE	1270066 6/1968
6,490,849	B1	12/2002 Scag et al.	DE	1658384 4/1971
6,497,422	B1	12/2002 Bellis, Jr. et al.	DE	69011648 12/1994
6,502,017	B2	12/2002 Ruffner	DE	4440202 5/1995
6,519,808	B2	2/2003 Legatt et al.	DE	9421472 1/1996
6,530,821	B2	3/2003 Legatt et al.	DE	4429996 2/1996
6,533,871	B2	3/2003 Zahuranec et al.	DE	9421625 3/1996
6,535,793	B2	3/2003 Allard	DE	19539350 4/1997
6,553,609	B2	4/2003 Tremmel et al.	DE	19745887 4/2000
6,554,207	B2	4/2003 Ebberts	DE	19851681 5/2000
6,571,805	B2	6/2003 Hoenisch et al.	DE	19851666 9/2000
6,585,827	B2	7/2003 Field et al.	DE	69608989 11/2000
6,594,844	B2	7/2003 Jones	DE	19927593 4/2001
6,600,981	B2	7/2003 Ruffner	DE	10029691 4/2002
6,625,843	B2	9/2003 Kim et al.	DE	10030725 4/2002
6,629,333	B2	10/2003 Bolden et al.	DE	10062329 7/2002
6,647,585	B1	11/2003 Robinson	DE	20204485 10/2002
6,650,975	B2	11/2003 Ruffner	DE	10142192 3/2003
6,671,925	B2	1/2004 Field et al.	DE	10204118 10/2003
6,681,433	B1	1/2004 Ruuska et al.	DE	10218244 11/2003
6,684,452	B2	2/2004 Lehman et al.	DE	10221349 11/2003
6,705,332	B2	3/2004 Field et al.	DE	10221351 11/2003
6,721,990	B2	4/2004 Zahuranec et al.	DE	10221352 11/2003
6,725,512	B2	4/2004 Carter et al.	DE	10307150 9/2004
6,735,811	B2	5/2004 Field et al.	DE	10324825 12/2004
6,735,812	B2	5/2004 Hekman et al.	DE	10324826 12/2004
6,760,947	B2	7/2004 Stuchlik	EP	0017913 4/1983
6,772,475	B2	8/2004 Weber et al.	EP	0282850 3/1988
6,789,290	B2	9/2004 Kent et al.	EP	0281976 9/1988
6,842,940	B2	1/2005 Christopher et al.	EP	0283022 9/1988
6,845,829	B2	1/2005 Hafendorfer	EP	0176696 4/1989
6,880,199	B1	4/2005 Huffman et al.	EP	0176697 5/1990
6,918,156	B2	7/2005 Joo et al.	EP	0569430 11/1994
6,918,603	B2	7/2005 Boyd	EP	0421194 6/1995
6,941,614	B2	9/2005 Montgomery	EP	0792615 9/1997
6,945,261	B2	9/2005 Wadsworth et al.	EP	0189617 8/1998
6,948,527	B2	9/2005 Ragner et al.	EP	0867331 9/1998
6,981,338	B2	1/2006 Jensen et al.	EP	1023867 6/1999
7,025,835	B2	4/2006 Pedlar et al.	EP	0951857 10/1999
7,048,805	B2	5/2006 Kent et al.	EP	1108092 6/2001
7,055,201	B2	6/2006 Buchegger et al.	EP	1164074 12/2001
7,287,299	B2	10/2007 Joynt	EP	1260129 11/2002
7,302,734	B2	12/2007 Nowak et al.	EP	1265713 12/2002
7,328,758	B2	2/2008 Ruffo	EP	1108091 10/2004
7,350,264	B2	4/2008 Bedard et al.	EP	1335869 10/2004
7,370,386	B2	5/2008 Lehman et al.	EP	1604605 12/2005
7,430,782	B2	10/2008 Ruffo	GB	1112147 5/1968
7,533,435	B2	5/2009 Pedlar et al.	GB	2338686 12/1999
7,555,801	B2	7/2009 Peters et al.	JP	08-182638 12/1994
7,611,555	B2 *	11/2009 Wattenberg et al. 55/369	JP	08-196496 1/1995
8,002,862	B2 *	8/2011 Schultink 55/367	JP	07-047039 7/1996
2001/0002500	A1	6/2001 Kasen et al.	JP	09-094201 4/1997
2002/0116783	A1	8/2002 Giddings et al.	JP	2001-258807 9/2001
2003/0159225	A1	8/2003 Kuo	JP	2002-078650 3/2002
2003/0192963	A1	10/2003 Ebberts	JP	2005/324020 11/2005
2004/0040102	A1	3/2004 Field et al.	WO	WO 86/01240 2/1986
2004/0172769	A1	9/2004 Giddings et al.	WO	WO 89/06624 7/1989
2004/0187895	A1	9/2004 Field et al.	WO	WO 90/10416 9/1990
2004/0221407	A1	11/2004 Field et al.	WO	WO 92/13480 8/1992
2004/0226578	A1	11/2004 Guest et al.	WO	WO 86/02394 4/1996
2004/0226584	A1	11/2004 Guest et al.	WO	WO 97/15730 5/1997
2005/0251937	A1	11/2005 Ruffo	WO	WO 97/15731 5/1997
2005/0251948	A1	11/2005 Ruffo	WO	WO 00/28149 5/2000
2005/0252186	A1	11/2005 Ruffo	WO	WO 00/79058 12/2000
2006/0064844	A1	3/2006 Venard et al.	WO	WO 01/05216 1/2001
2006/0124770	A1	6/2006 Venard et al.	WO	WO 01/41935 6/2001
2006/0156498	A1	7/2006 Venard et al.	WO	WO 02/42184 5/2002
2009/0094784	A1	4/2009 Pedlar et al.	WO	WO 05/079468 9/2005
2011/0023248	A1	2/2011 Tucker et al.		

OTHER PUBLICATIONS

"Schmidt Produkte: Kleinkehrfahrzeug Galopio," Photo of Galopio device, available at <http://database.schmidgroup.net/loader.php/en/>

schmidt/swk/products/00011/picture1.html, as early as Apr. 29, 2003, printed on Jan. 29, 2007, 1 page.

“Schmidt Produkte: Kleinkehrfahrzeug Galopio,” Photo of Galopio device with description, available at <http://database.schmidtgroup.net/loader.php/de/schmidt/swk/00011/>, as early as May 29, 2003, printed on Jan. 29, 2007, p. 1.

“The Science of Floor Care: Profi™ Rubber Floor Cleaner/Degreaser,” Taski, <http://www.johnsondiversey.com/Cultures/en-US-OpCo/Products+and+Systems/Categori...>, accessed Nov. 12, 2008, 2 pages.

Fantomat Sale Sheet, Buzili-Werk Wagner GmbH & Co., date unknown, 4 pages.

Galopio Cleaning Device, www.schmidt-holding.com, accessed Feb. 23, 2005, 4 pages.

Galopio Operating Instructions, Schmidt Winterdienst-Und Kommunaltechnik, Jan. 17, 2005, Issue 5, pp. 1-84.

Hefter Cleantech, Convert 82, May 19, 2006, 3 pages, accessed Jun. 1, 2007.

Kärcher, MC600 Multicleaner Brochure, date unknown, 2 pages.

Kärcher, MC600 Multicleaner Brochure, date unknown, 4 pages.

Kärcher, Multicleaner MC600 Manual, date unknown, 44 pages.

Kärcher, Multicleaner MC600, Mar. 1990, 7 pages.

Kärcher, NT301 Brochure, date unknown, 2 pages.

Kärcher, Worldwide Cleaning Expertise Programme 91/92, published more than one year prior to the filing date of U.S. Patent 6,425,958, which was filed Feb. 2001, 50 pages.

Nobles Typhoon 161OP/1612 Wet/Dry Vacuum Operator and Parts Manual, Jan. 2000, 22 pages Kaivac, Inc.

No-Touch Cleaning Brochure, Kaivac, Inc., dated 2003, 8 pages.

Photo and information related to Galopio device sold on Mascus website, available at http://www.mascus.com/product_card.asp?br=Broddway&catn=Groundscare&page=1&location=EN&pr..., indicates that device was registered in 2000, printed on Jan. 29, 2007, p. 1.

Photo of Galopio device, available at <http://www.bassewitz.de/fahrzeuge/schmidt.htm>, as early as Jan. 26, 2002, printed on Jan. 29, 2007, pp. 1-2.

Print out of Kaivac No-Touch Clean System, www.Kaivac.com, dated Jan. 23, 2003, 3 pages.

Print out of Nilfisk Aquatron 8 machine, www.mn.nilfisk-advance.com, dated Jan. 30, 2003, 1 page.

Service Master, Boss 2000E Manual, Aug. 1997, 32 pages.

Service Master, Boss 2000LE Manual, Mar. 1998, 30 pages.

ServiceMaster Carpet Care 2000 Boss 2000B Operator & Parts List Manual, Oct. 1995, 45 pages.

Tennant Model 1465 and 1480 Manual, 1988, pp. 3-18 and 6-34.

Warning: Your Competitor has a KaiVac, Sep. 1998, 10 pages.

* cited by examiner

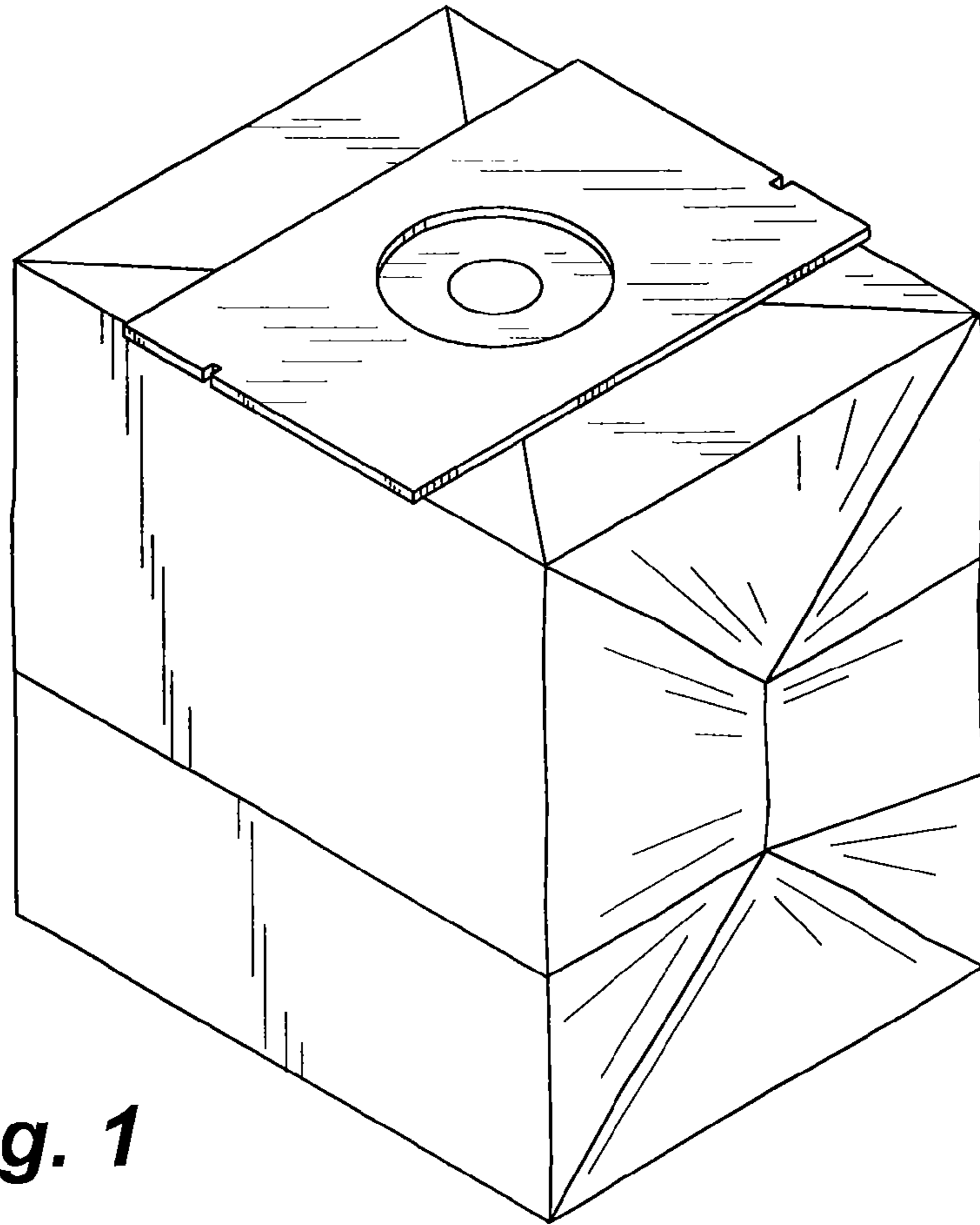


Fig. 1

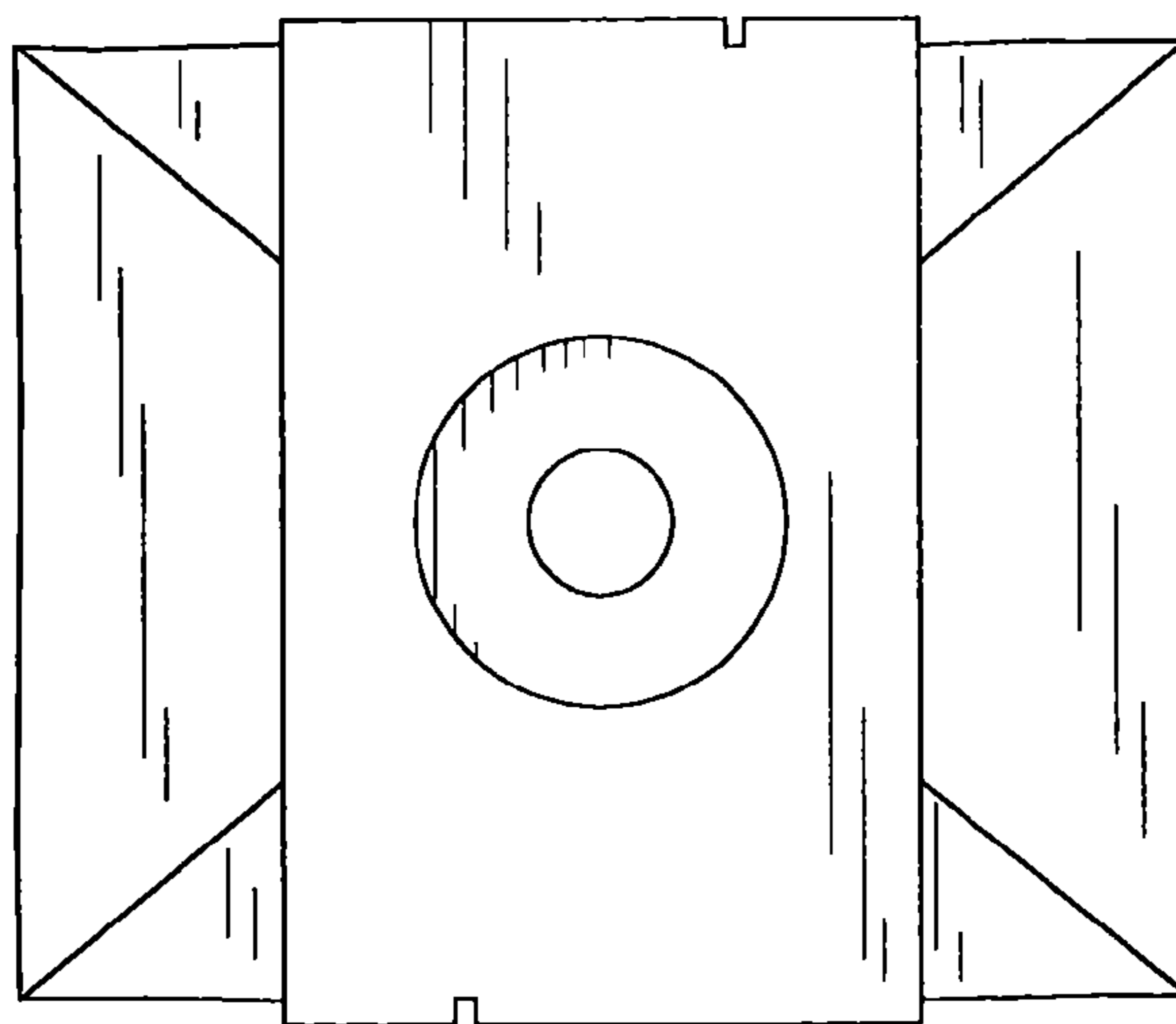


Fig. 2

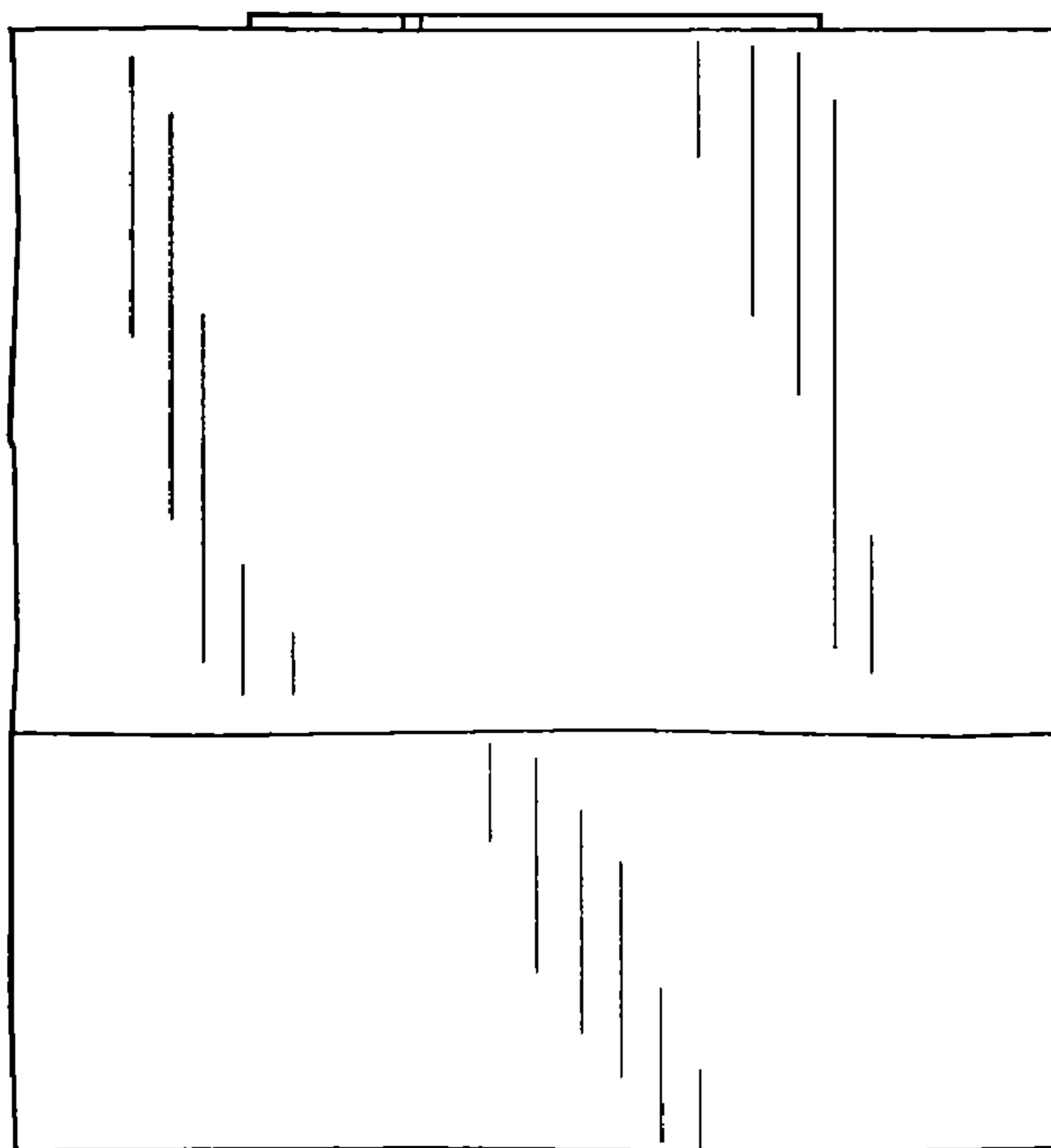


Fig. 3

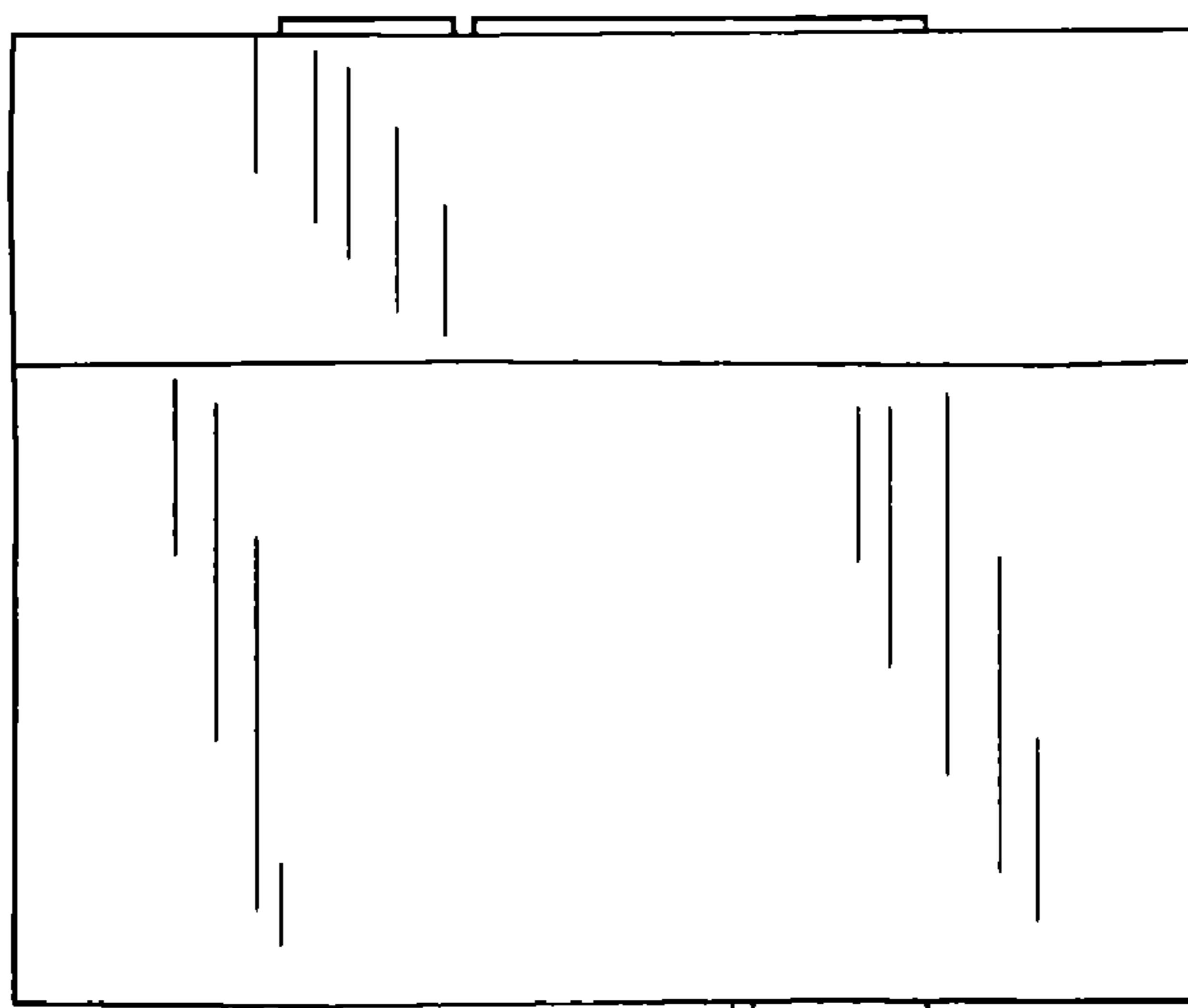


Fig. 4

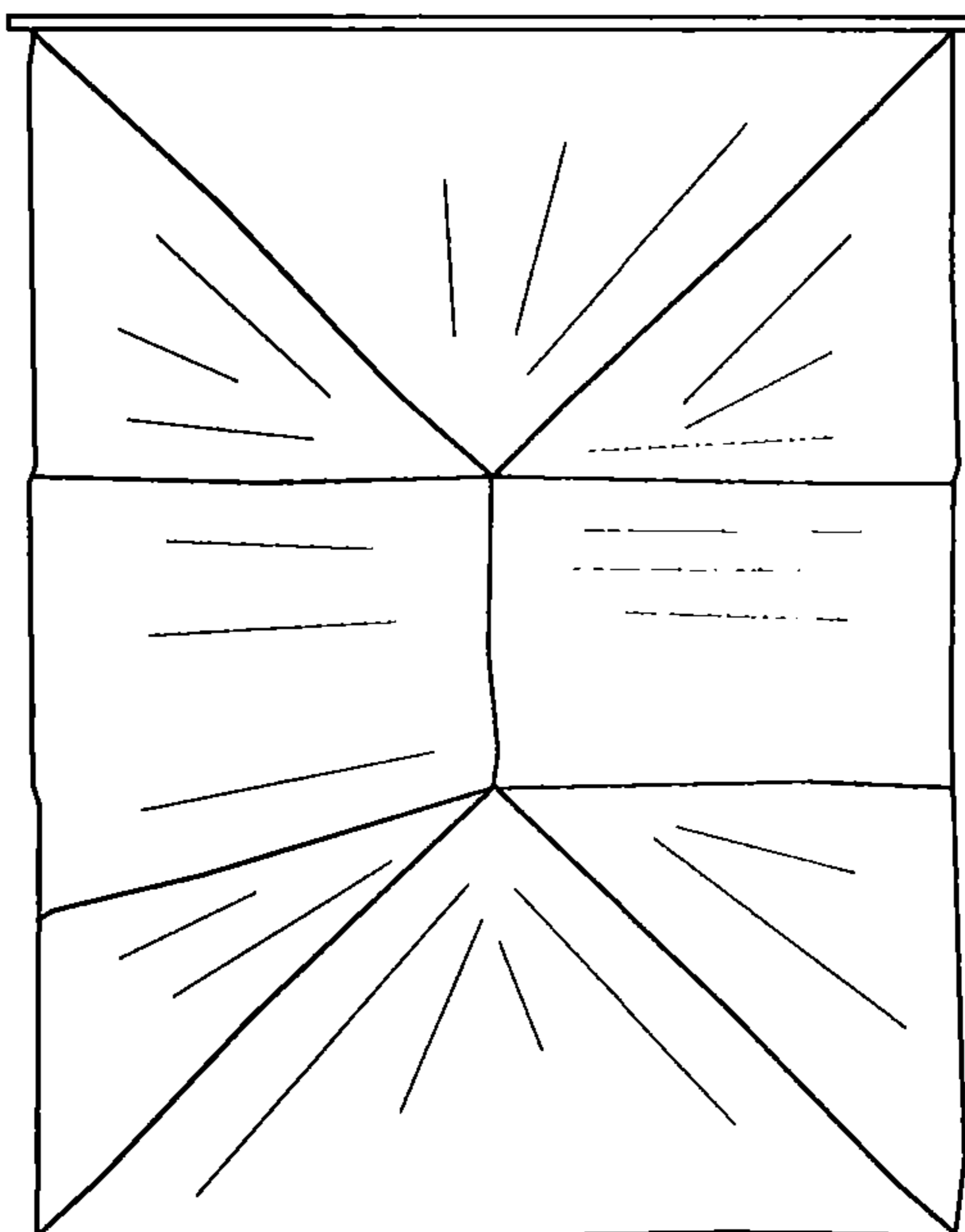


Fig. 5

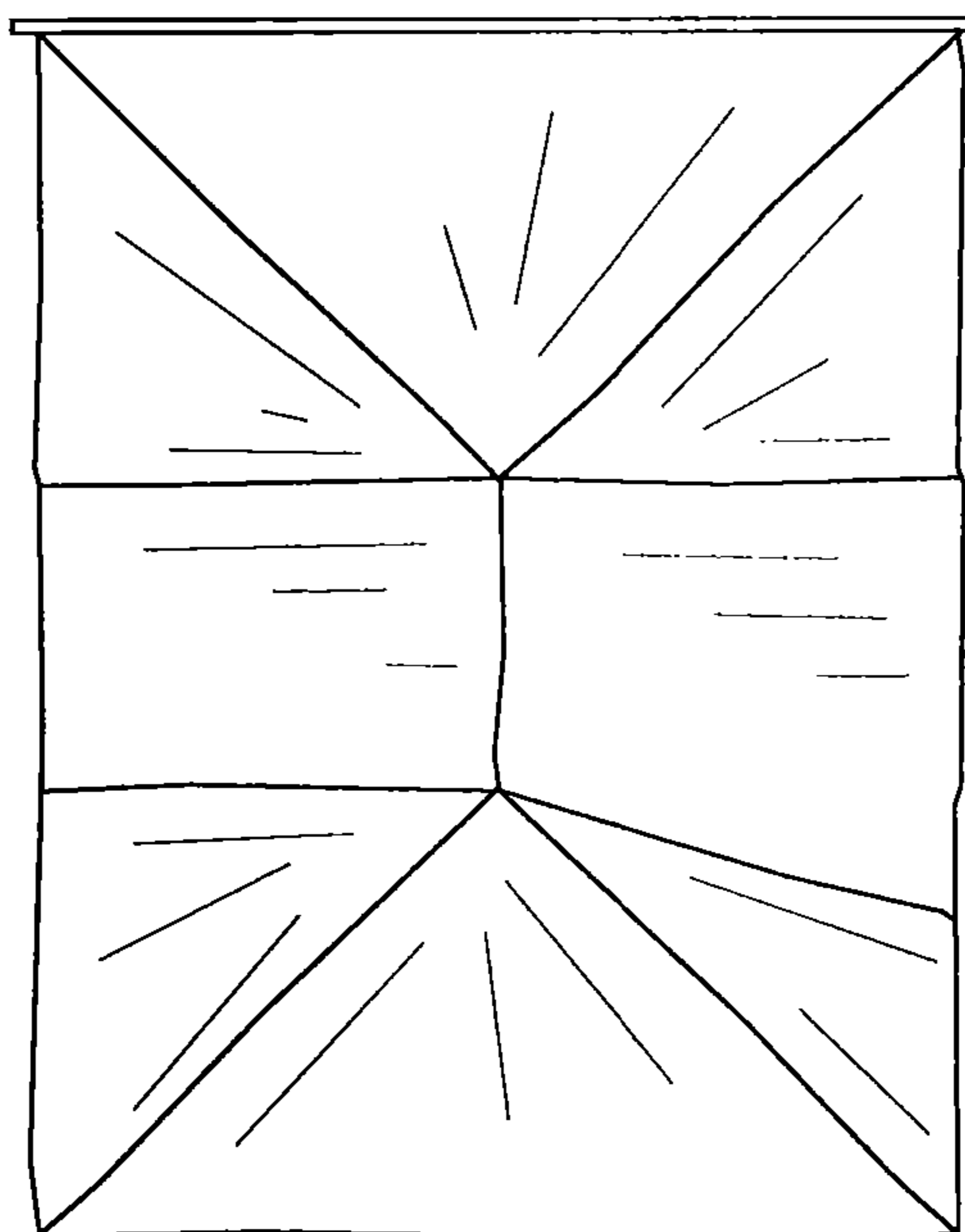


Fig. 6

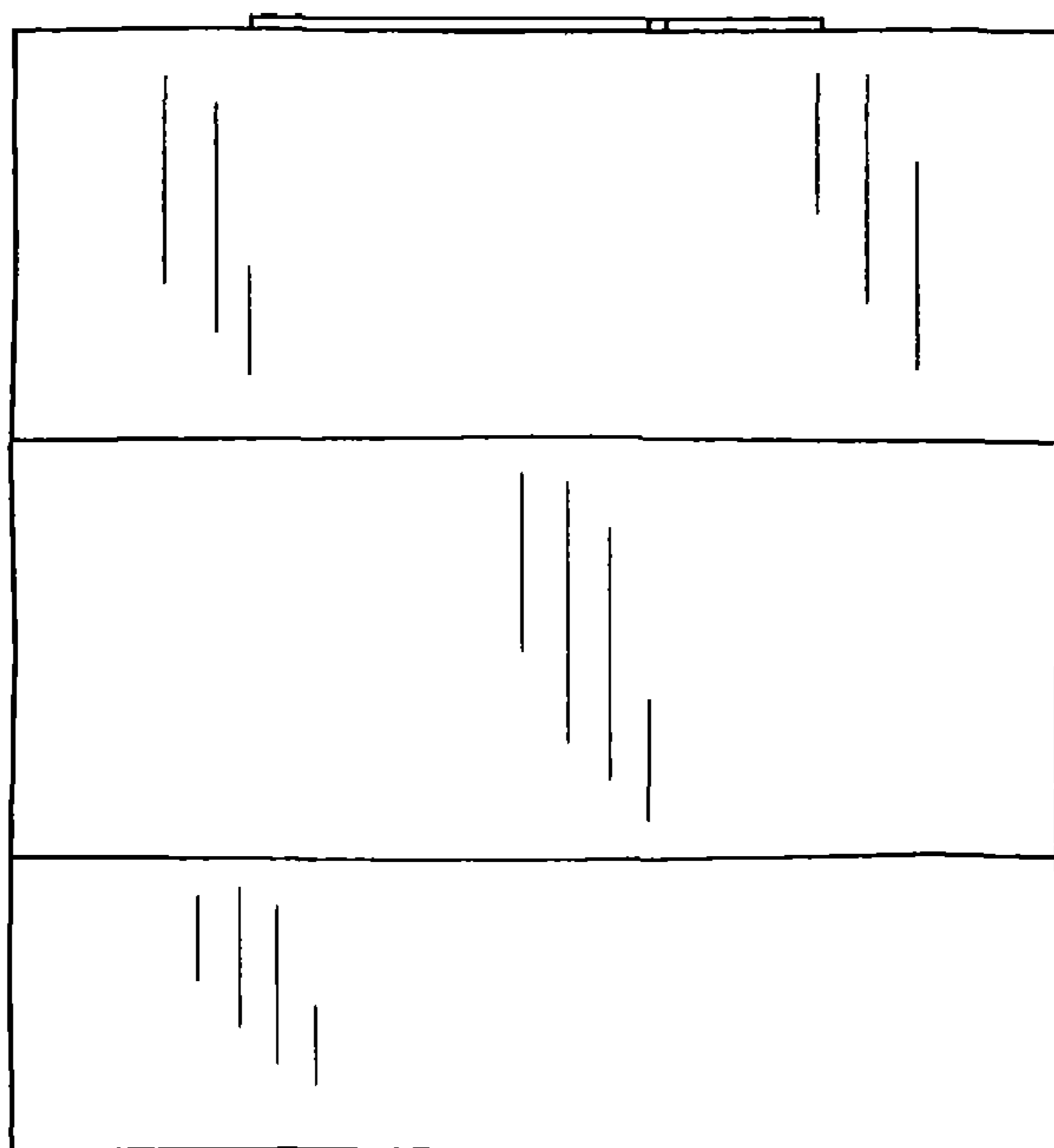


Fig. 7

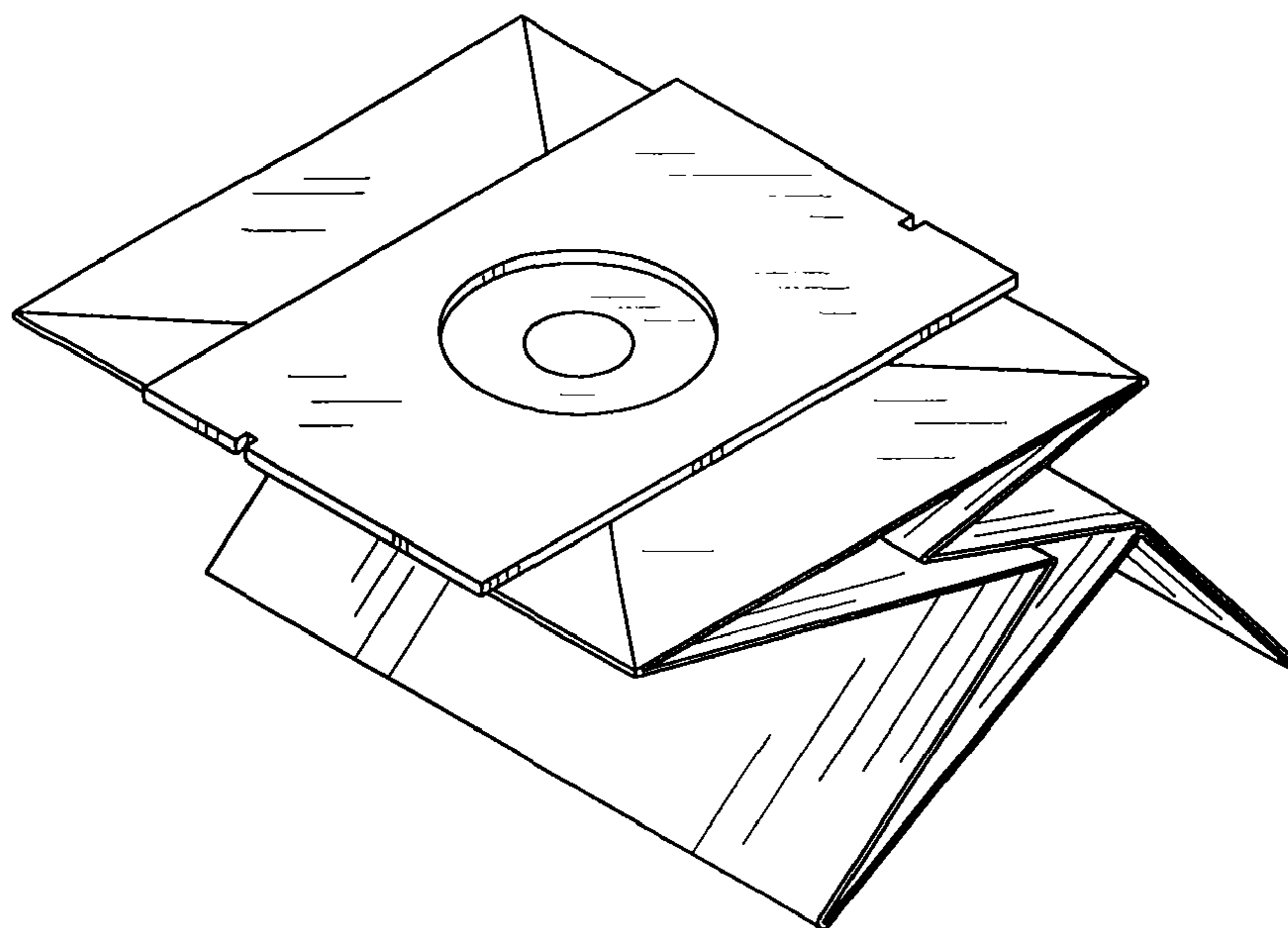


Fig. 8

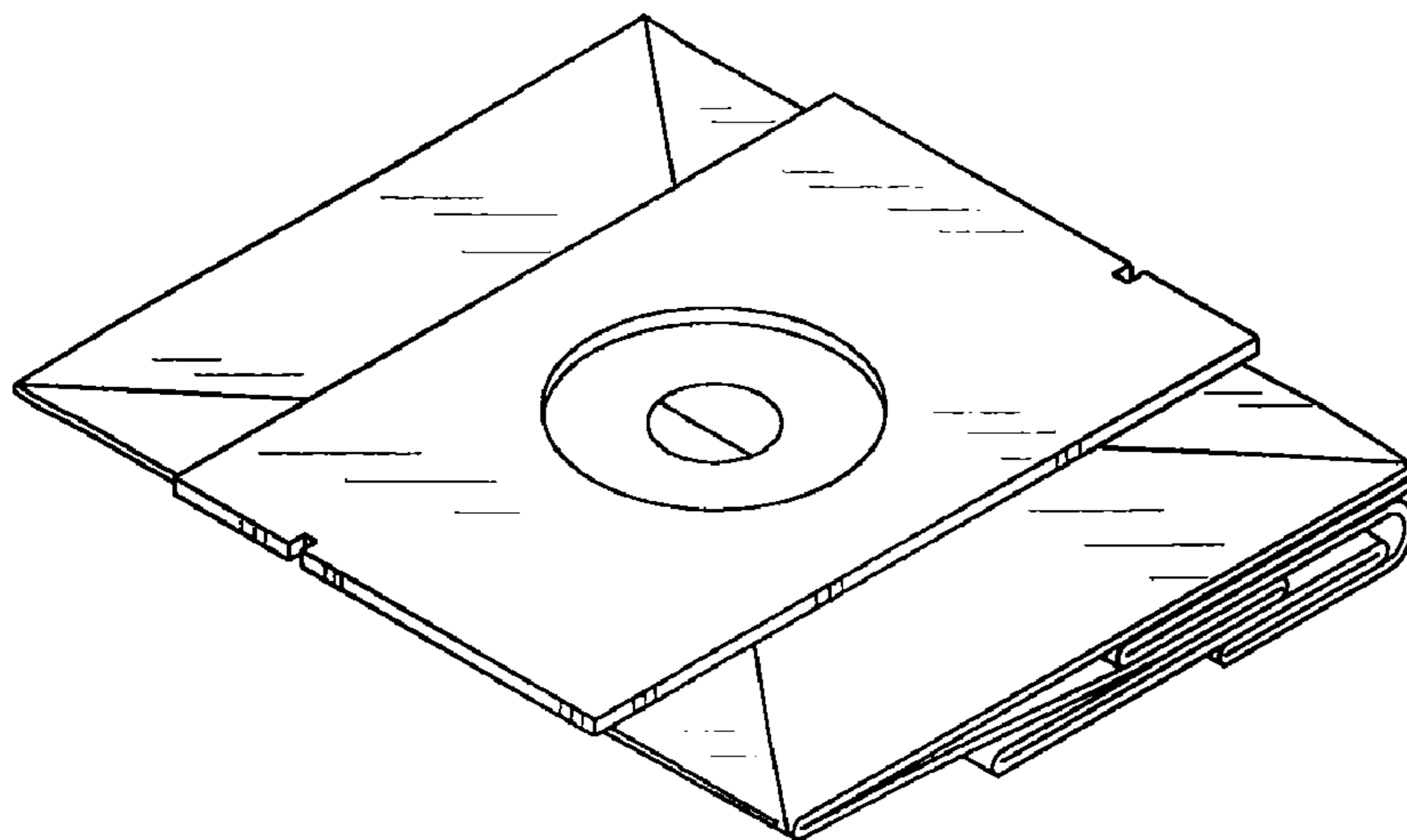


Fig. 9

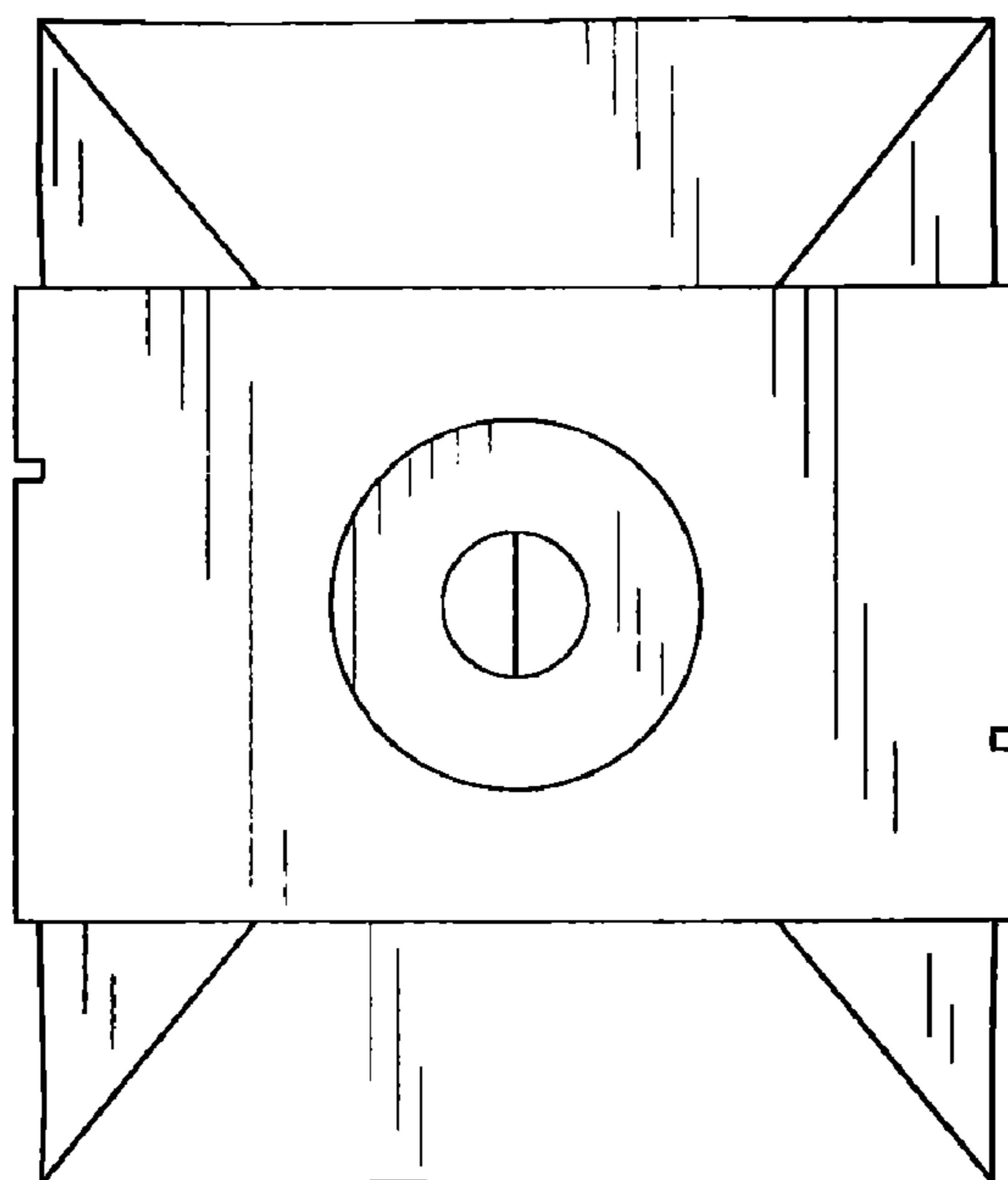


Fig. 10

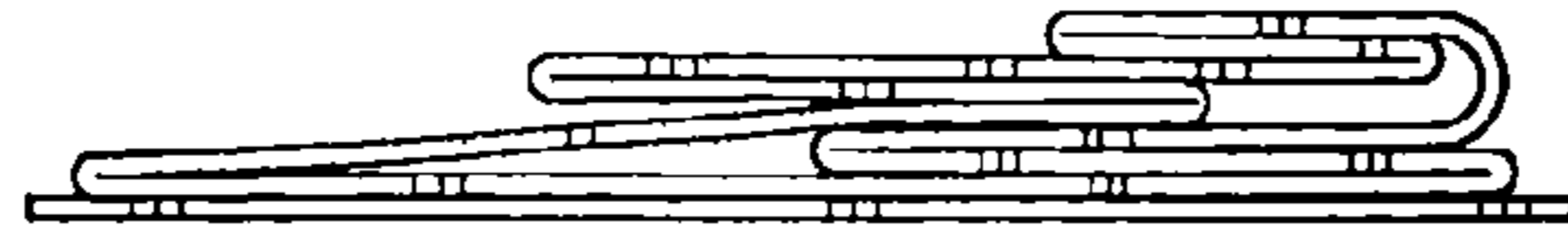


Fig. 11



Fig. 12

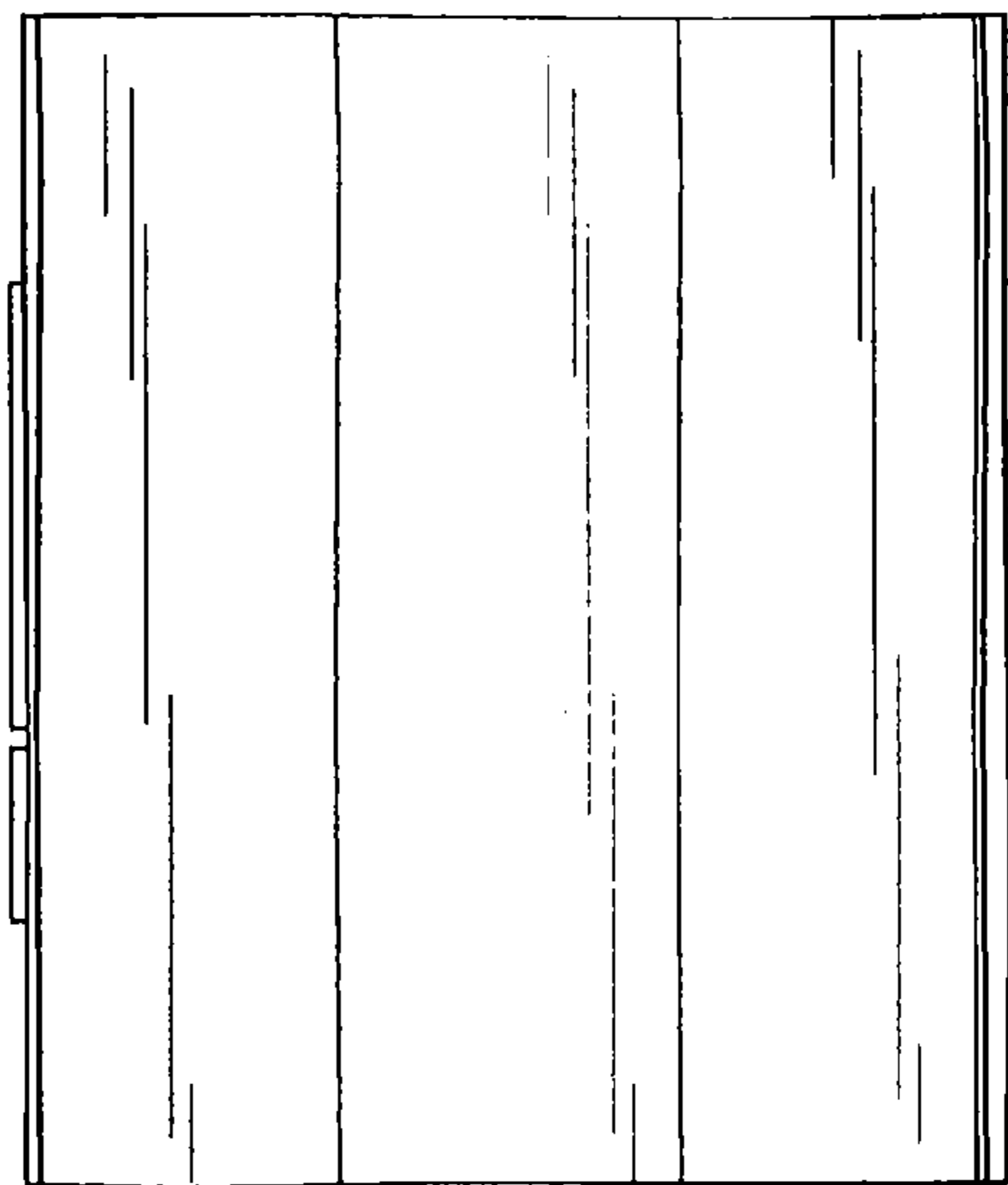


Fig. 13



Fig. 14



Fig. 15