



US00D654232S

(12) **United States Design Patent**  
**Mjelde et al.**

(10) **Patent No.:** **US D654,232 S**

(45) **Date of Patent:** **\*\* Feb. 14, 2012**

(54) **SWIMMING POOL CLEANER HOUSING**

(76) Inventors: **Olaf W. Mjelde**, San Diego, CA (US);  
**Wade H. Arens**, Rancho Santa  
Margarita, CA (US)

(\*\*) Term: **14 Years**

(21) Appl. No.: **29/379,151**

(22) Filed: **Nov. 15, 2010**

(51) **LOC (9) Cl.** ..... **15-05**

(52) **U.S. Cl.** ..... **D32/21**

(58) **Field of Classification Search** ..... D32/1,  
D32/21, 31; 417/46; 210/167.16, 416.2;  
134/168 R, 167 R, 169 R, 172, 21, 18; 15/1.7  
See application file for complete search history.

(56) **References Cited**

U.S. PATENT DOCUMENTS

5,351,355	A *	10/1994	Chiniara	.....	15/1.7
5,454,129	A *	10/1995	Kell	.....	15/1.7
D384,782	S	10/1997	Gefter		
D408,104	S *	4/1999	Adam	.....	D32/1
D417,322	S *	11/1999	Hollinger	.....	D32/1
D433,545	S *	11/2000	Hollinger et al.	.....	D32/1
6,212,725	B1 *	4/2001	Porat	.....	15/1.7
D489,150	S *	4/2004	Campbell	.....	D32/15

6,842,931	B2 *	1/2005	Porat et al.	.....	15/1.7
D529,669	S *	10/2006	Blanc-Tailleur	.....	D32/1
D598,168	S *	8/2009	Sumonthee	.....	D32/21
D599,967	S *	9/2009	Blanc-Tailleur	.....	D32/1
D630,808	S *	1/2011	Dye et al.	.....	D32/21
D630,809	S *	1/2011	Dye et al.	.....	D32/21
2002/0104790	A1 *	8/2002	Lincke	.....	210/169
2004/0025268	A1 *	2/2004	Porat et al.	.....	15/1.7
2009/0255069	A1 *	10/2009	Hui	.....	15/1.7
2010/0122422	A1 *	5/2010	Hui	.....	15/1.7
2011/0088182	A1 *	4/2011	Hui	.....	15/1.7

\* cited by examiner

*Primary Examiner* — Ruth McInroy

(74) *Attorney, Agent, or Firm* — Robert J. Lauson; Lauson & Tarver LLP

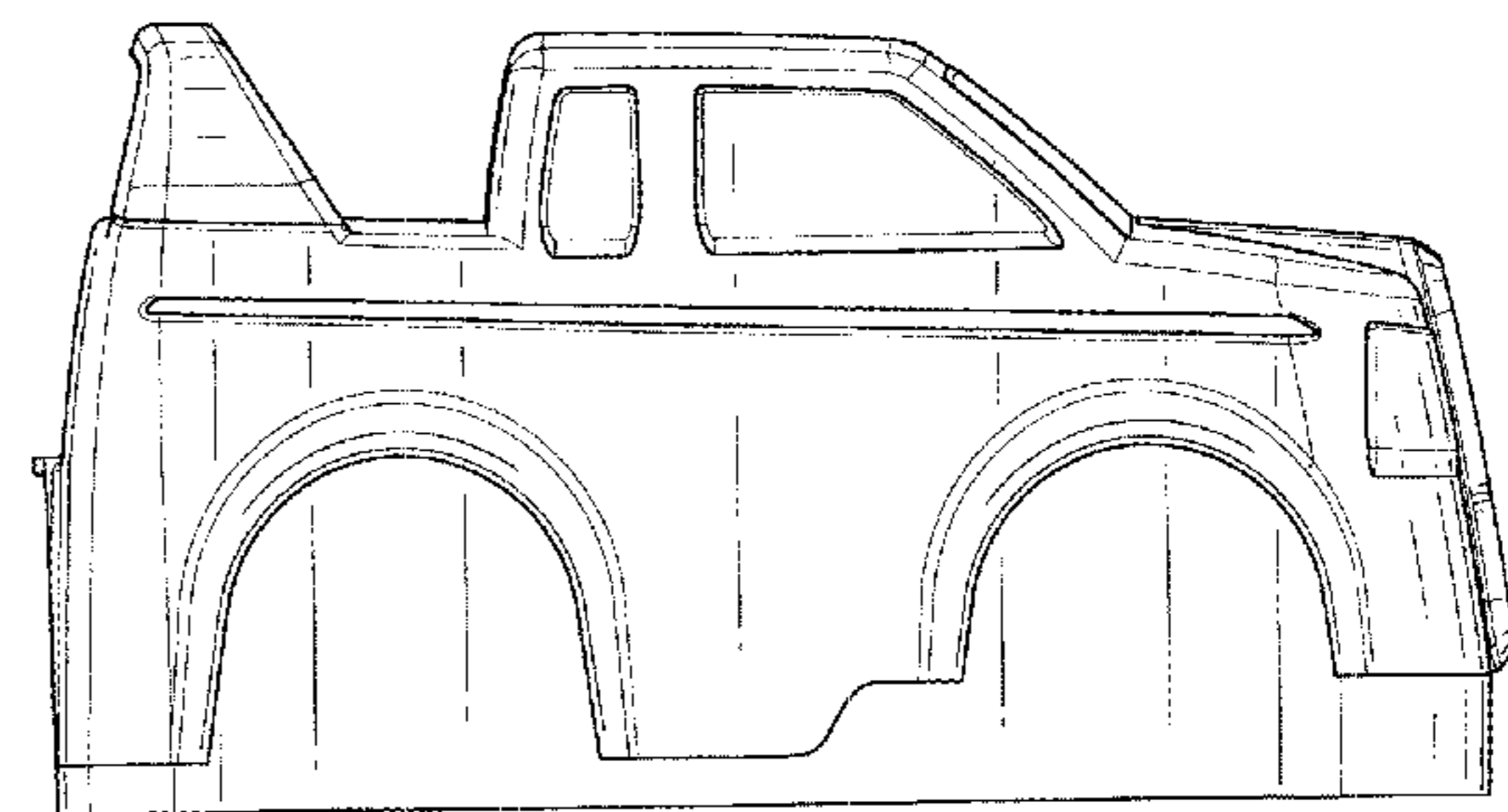
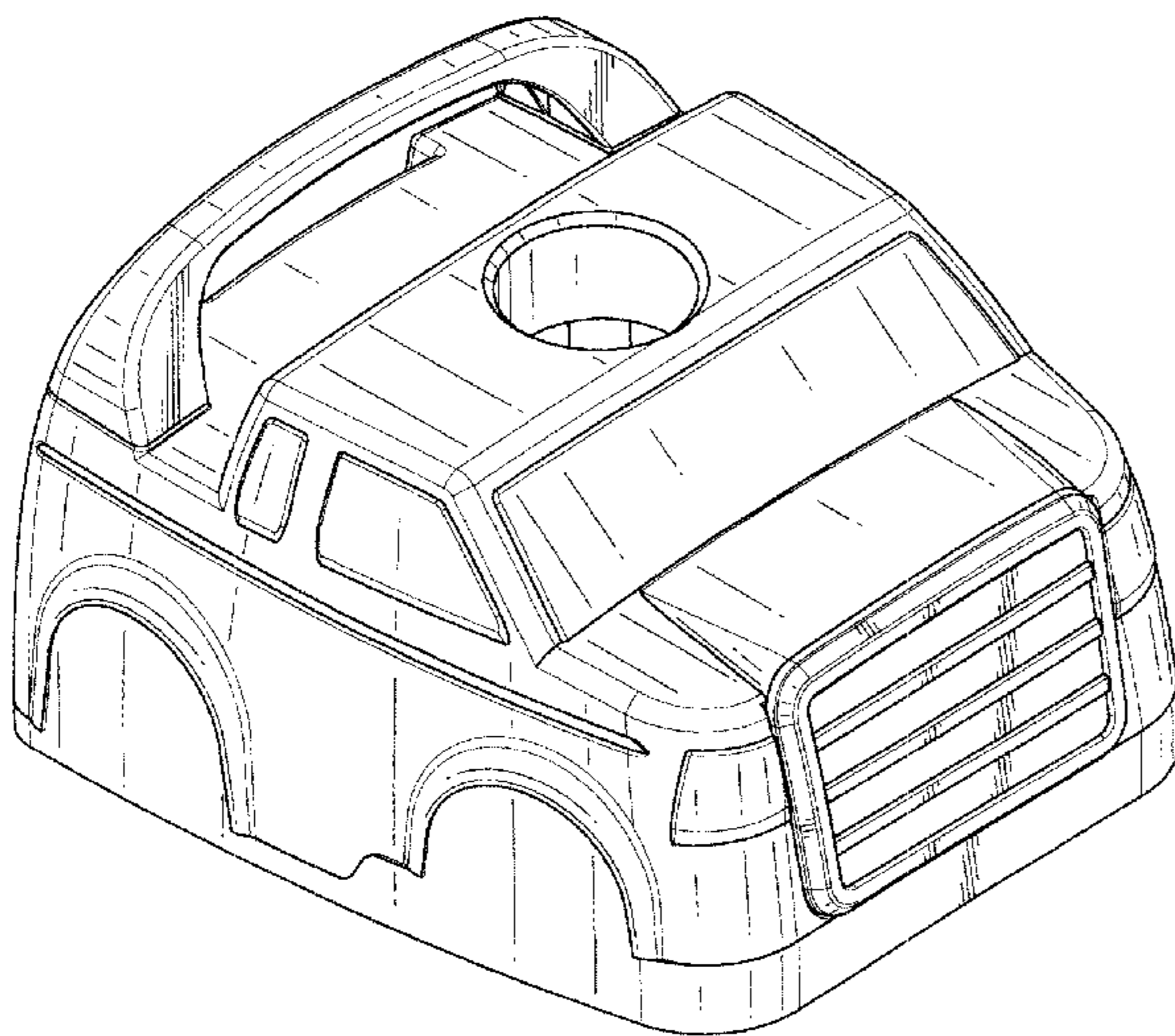
(57) **CLAIM**

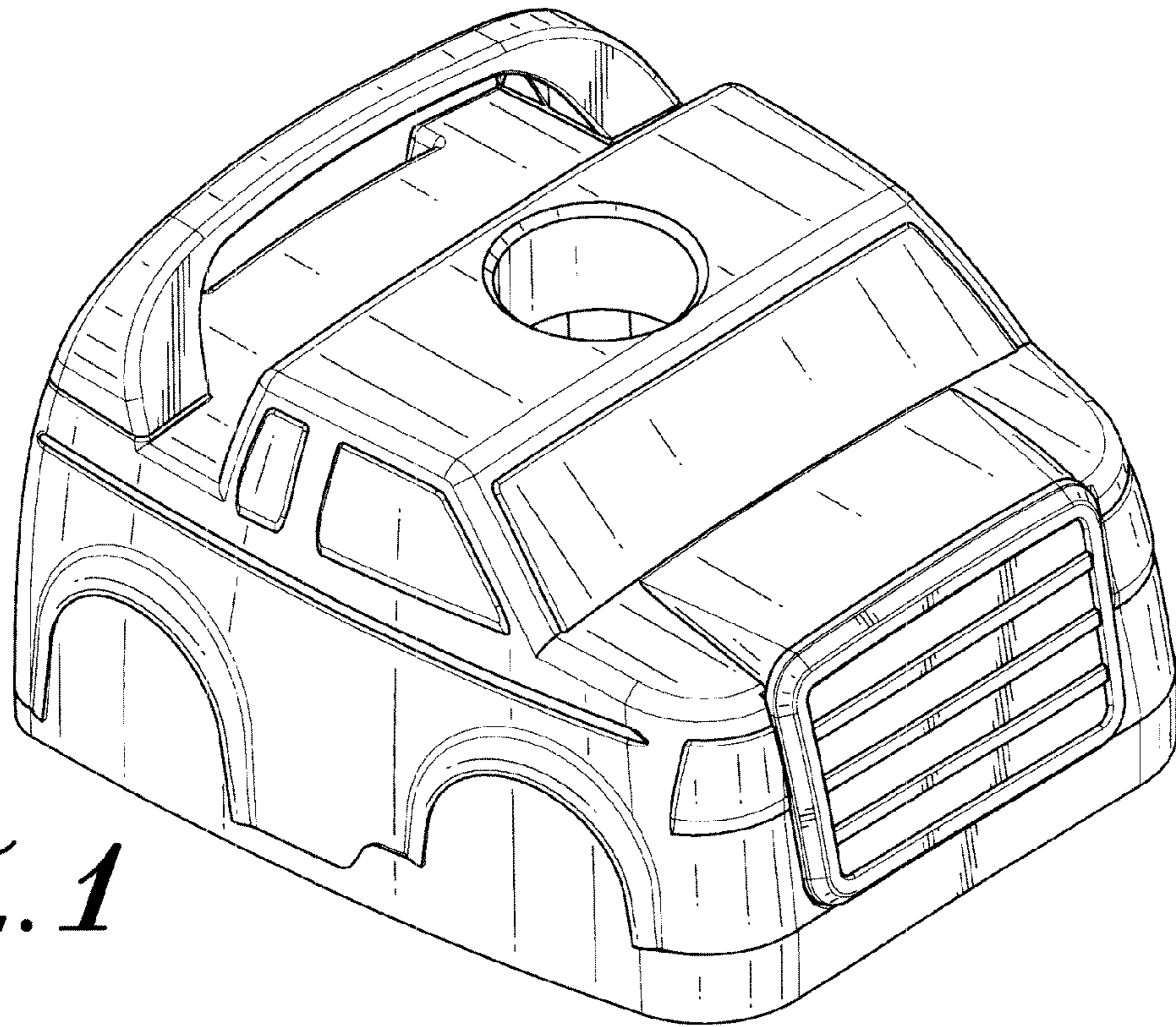
We claim the ornamental design for a swimming pool cleaner housing, as shown and described.

**DESCRIPTION**

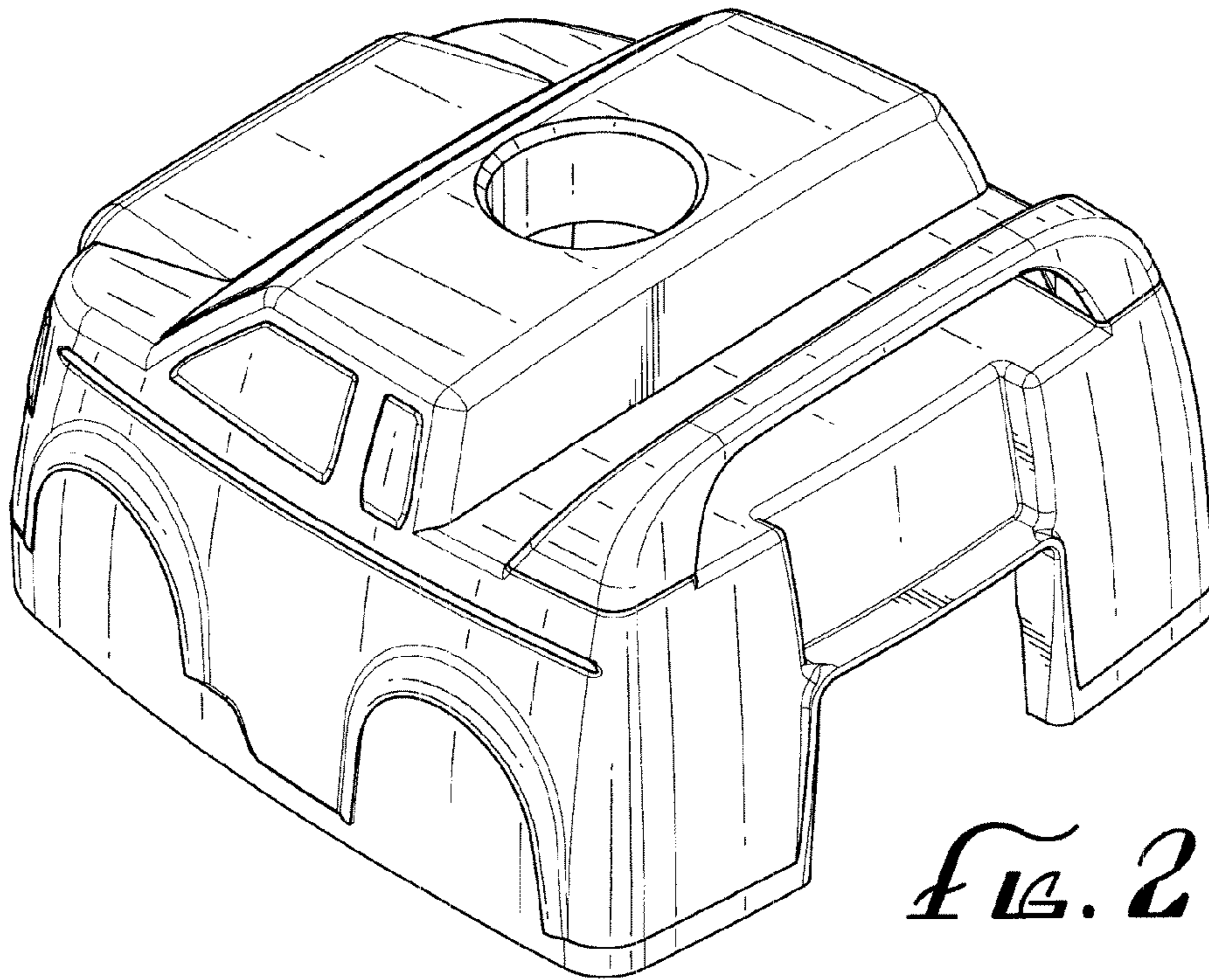
FIG. 1 is a top, front and left side perspective view of a swimming pool cleaner housing showing our new design; FIG. 2 is a top, rear and right side perspective view thereof; FIG. 3 is a left side view thereof; FIG. 4 is a top view thereof; FIG. 5 is a front view thereof; and, FIG. 6 is a rear view thereof.

**1 Claim, 3 Drawing Sheets**

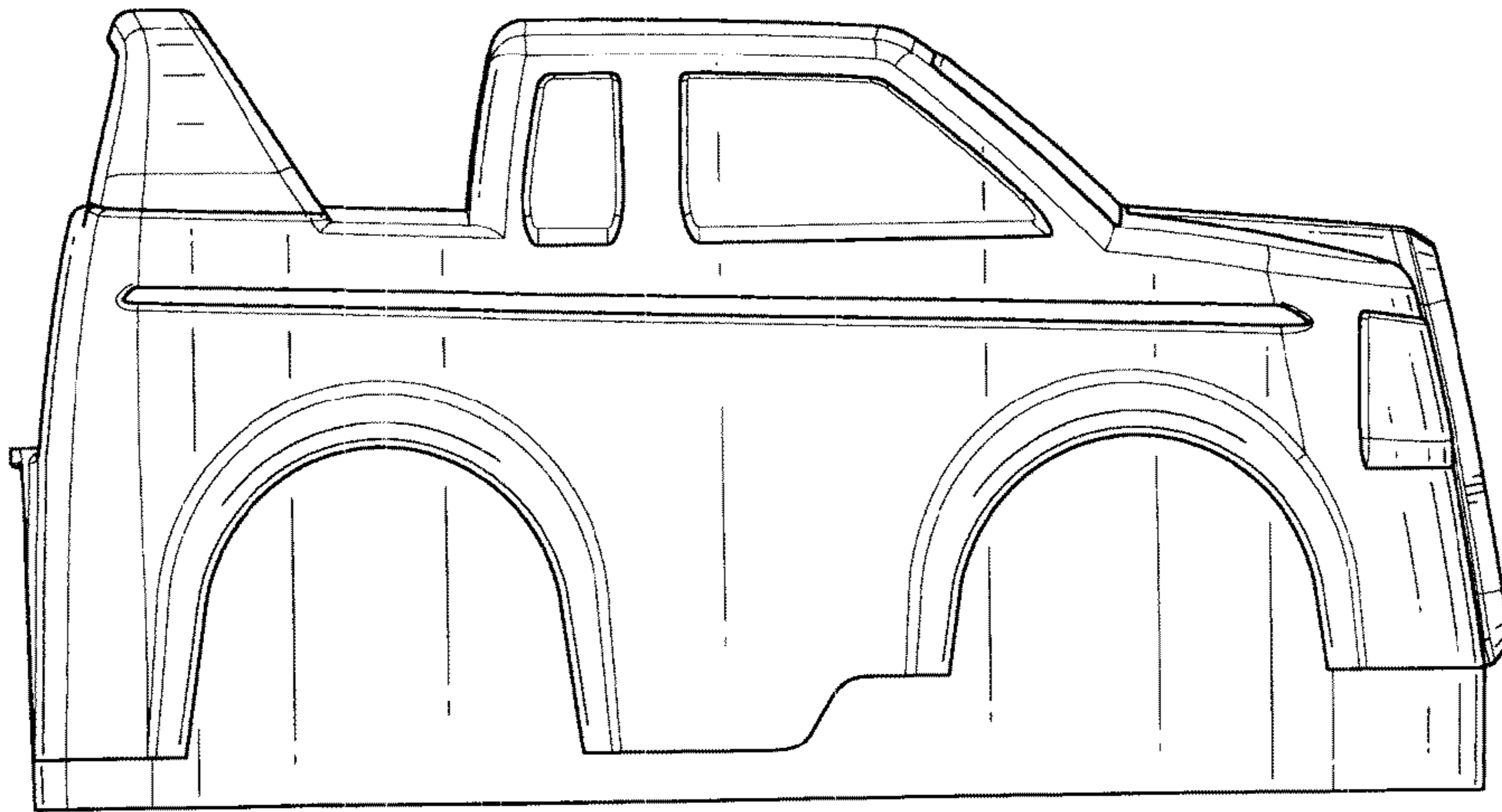




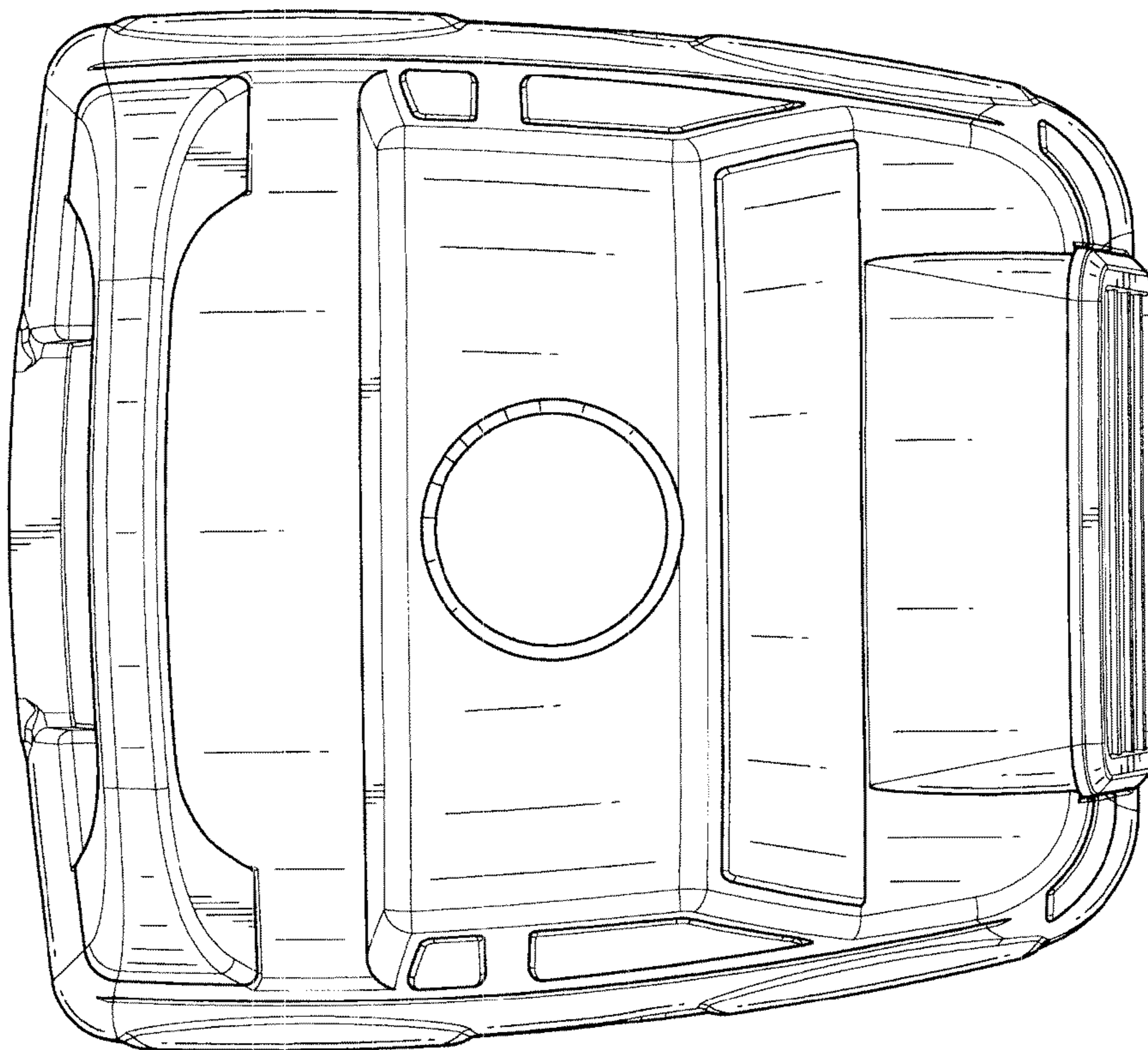
*FIG. 1*



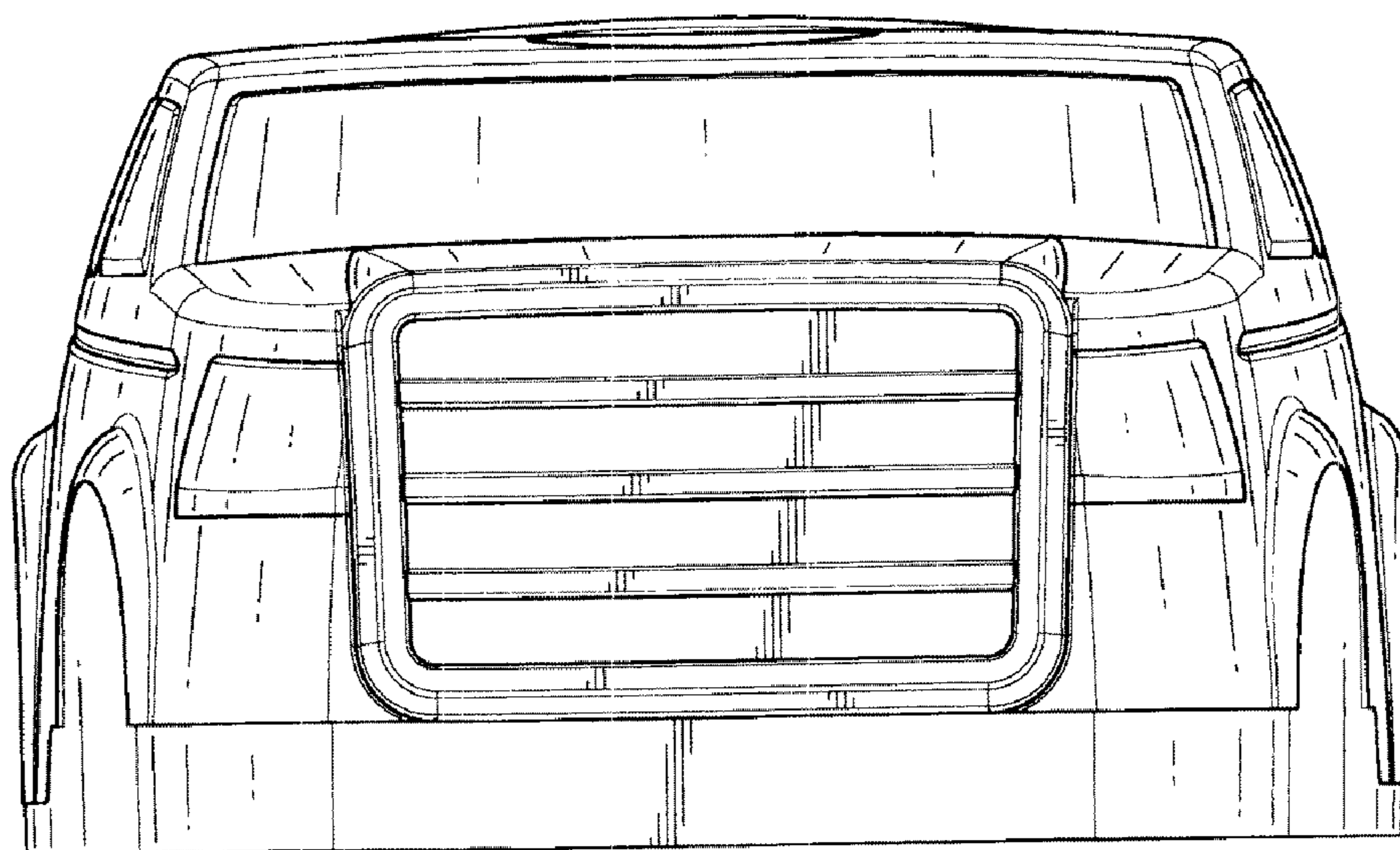
*FIG. 2*



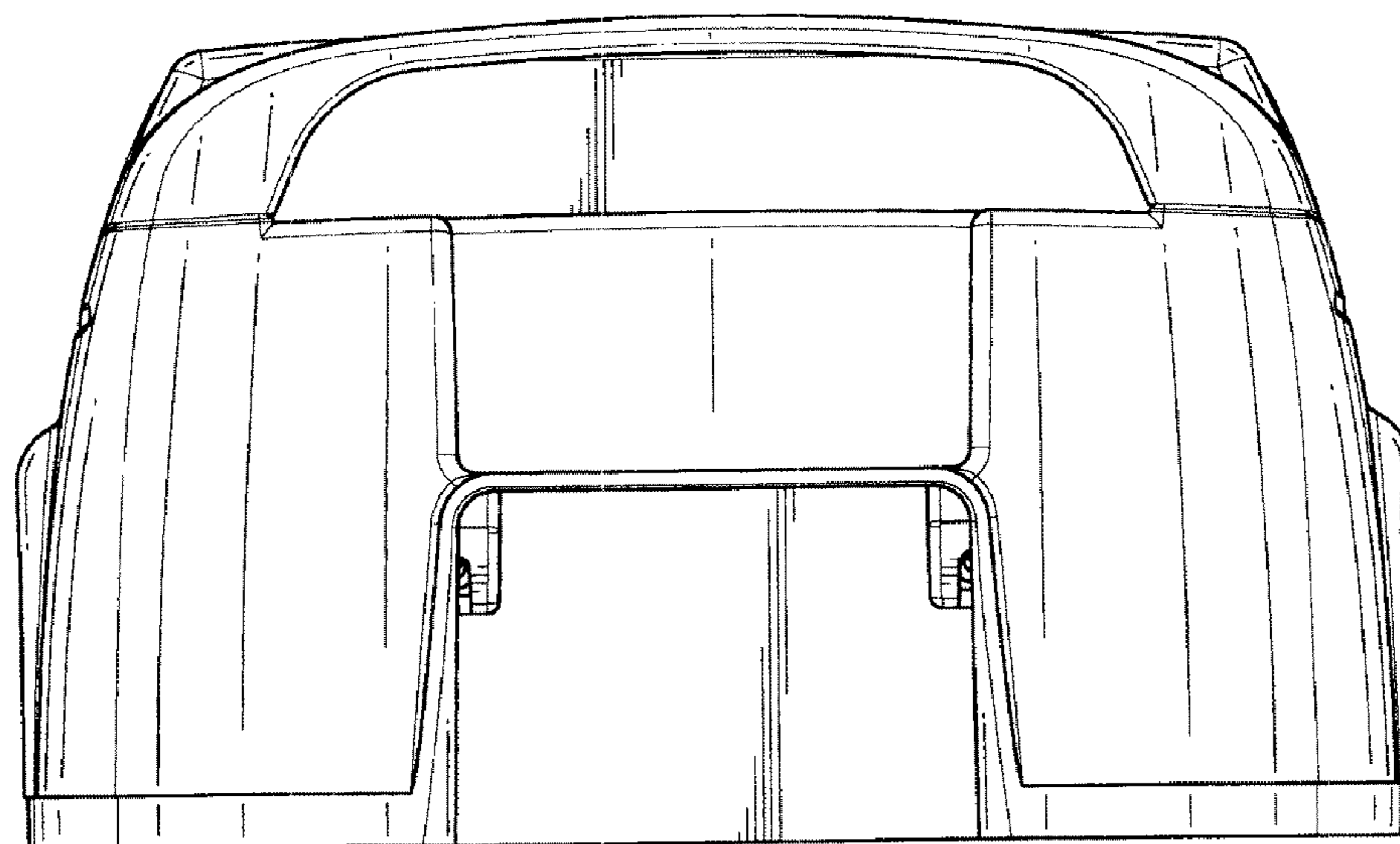
*FIG. 3*



*FIG. 4*



*FIG. 5*



*FIG. 6*