



US00D654230S

(12) **United States Design Patent**
Tedaldi et al.

(10) **Patent No.:** **US D654,230 S**
(45) **Date of Patent:** **** Feb. 14, 2012**

- (54) **PET BOWL**
- (75) Inventors: **Denise Tedaldi**, Danvers, MA (US);
Brooks Rorke, Guilford, CT (US)
- (73) Assignee: **Petedge, Inc.**, Beverly, MA (US)
- (**) Term: **14 Years**
- (21) Appl. No.: **29/383,549**
- (22) Filed: **Jan. 19, 2011**
- (51) **LOC (9) Cl.** **30-03**
- (52) **U.S. Cl.** **D30/129; D30/130**
- (58) **Field of Classification Search** D30/121,
D30/122, 129-133; 119/61.5, 51.01, 61.56,
119/51.03, 59, 62, 63, 51.5, 57.8, 74, 61.54,
119/61.55; 312/204; 248/151, 188; 108/156,
108/153.1-157; 220/23.87, 630, 737, 743,
220/9.4, 495.01, 574, 212, 255, 23.83; 206/515;
D7/586, 543, 550.1, 587, 505, 584, 545, 500,
D7/553.1-553.8, 546, 555, 556, 504, 565,
D7/562, 602; D9/429; 43/109; D22/122;
99/430, DIG. 15
See application file for complete search history.

(56) **References Cited**

U.S. PATENT DOCUMENTS

472,316 A	4/1892	Smith	
D156,331 S *	12/1949	French	D30/129
2,553,377 A	5/1951	Loventhal	
2,592,638 A *	4/1952	Andrew	119/61.1
D201,670 S *	7/1965	Moore	D30/130
3,491,724 A *	1/1970	Sunner	119/61.54
4,085,706 A *	4/1978	Evans	119/61.54
D296,020 S *	5/1988	McCarroll	D30/130
5,094,032 A *	3/1992	Byland et al.	47/73
5,125,184 A *	6/1992	Anderson	47/81
5,341,596 A *	8/1994	Kao	47/79
5,467,738 A *	11/1995	Cass	119/61.53

5,628,276 A *	5/1997	Raposa	119/61.54
5,979,361 A	11/1999	Willinger	
6,311,640 B1 *	11/2001	Mercado	119/51.01
6,330,956 B1	12/2001	Willinger	
D453,488 S *	2/2002	McCauley	D11/152
6,516,747 B1	2/2003	Willinger	
6,520,114 B1	2/2003	Chun	
6,644,241 B2 *	11/2003	Brown	119/61.5
D485,208 S *	1/2004	Fan	D11/143
D488,741 S *	4/2004	Moya	D11/143
D490,577 S *	5/2004	Steinbacher et al.	D30/130
D490,745 S *	6/2004	Fan	D11/143
6,860,229 B1 *	3/2005	Craft	119/61.5
D504,581 S *	5/2005	Kim et al.	D6/457
D522,809 S	6/2006	Kusuma et al.	

(Continued)

OTHER PUBLICATIONS

EntirelyPets®, Brake Fast Food Bowl, obtained at <http://www.entirelypets.com/brakefastmed.html> on Apr. 27, 2011.

(Continued)

Primary Examiner — Susan Moon Lee

(74) *Attorney, Agent, or Firm* — McCarter & English, LLP

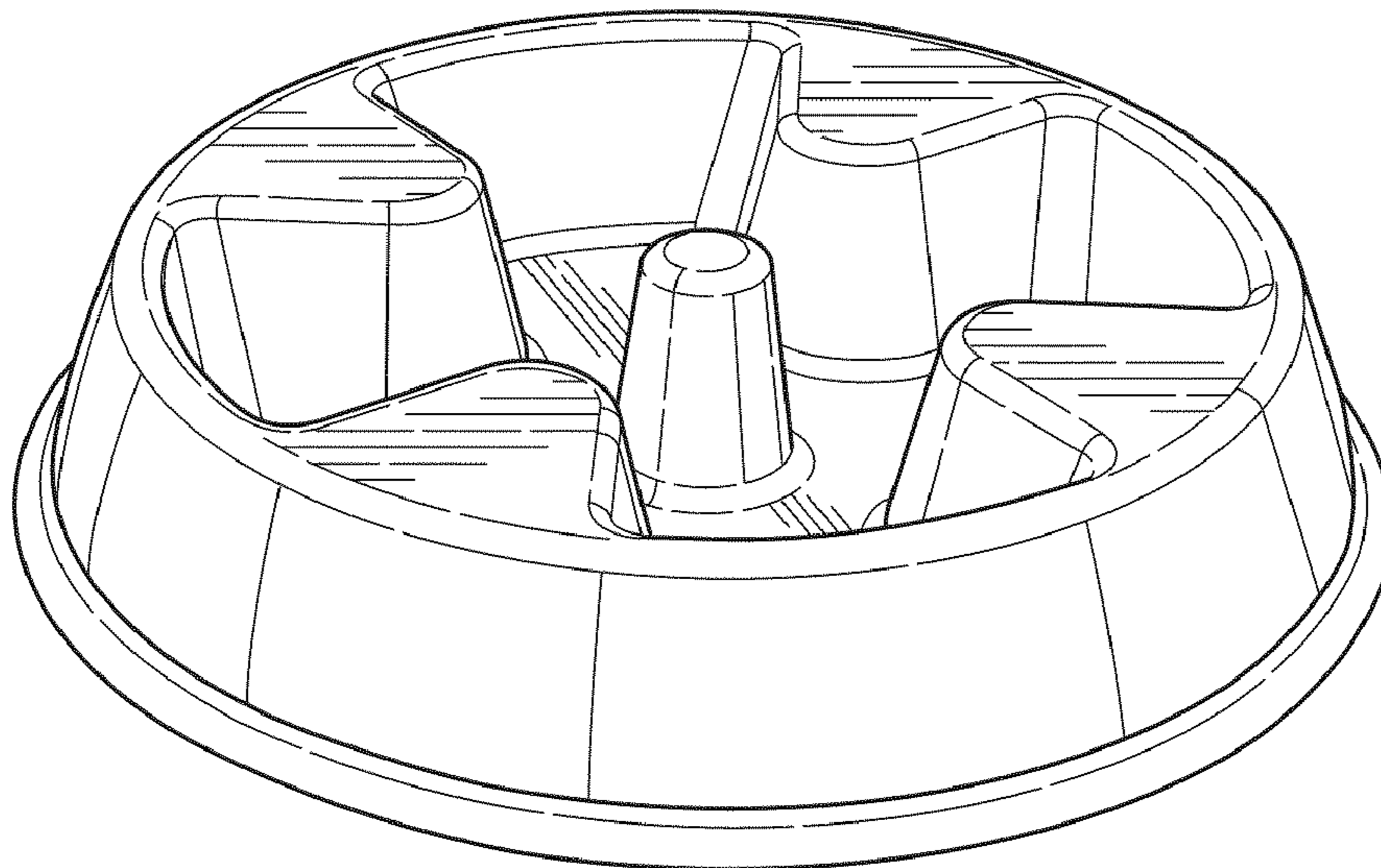
(57) **CLAIM**

The ornamental design for a pet bowl, as shown and described.

DESCRIPTION

FIG. 1 is a front perspective view of a pet bowl showing the design;
 FIG. 2 is a front elevational of a pet bowl, the rear being a mirror image thereof;
 FIG. 3 is a left side elevational of a pet bowl, the right side elevation being a mirror image thereof;
 FIG. 4 is a top plan view of a pet bowl; and,
 FIG. 5 is a bottom plan view of a pet bowl.

1 Claim, 4 Drawing Sheets



US D654,230 S

Page 2

U.S. PATENT DOCUMENTS

D529,838 S * 10/2006 Boling D11/164
7,207,291 B1 4/2007 Watts
D545,137 S 6/2007 Furlong et al.
D559,472 S * 1/2008 Abinanti et al. D30/129
D563,608 S 3/2008 Kitchen
D571,614 S 6/2008 Curtin
D590,109 S * 4/2009 Anderson et al. D30/129
D600,861 S * 9/2009 Sin D30/129
7,678,271 B2 3/2010 Curtin
D623,806 S 9/2010 Modi et al.
D636,944 S * 4/2011 Anderson et al. D30/129
D648,904 S * 11/2011 Tedaldi et al. D30/129
2002/0017056 A1 * 2/2002 Fan 47/66.6
2002/0185073 A1 * 12/2002 Fullerton et al. 119/51.01

2003/0033986 A1 * 2/2003 Brown 119/61
2005/0039689 A1 * 2/2005 Mossmer 119/61.5
2006/0005774 A1 * 1/2006 Newman Bornhofen 119/61.5
2006/0213447 A1 * 9/2006 Kitchen et al. 119/61.5
2008/0053374 A1 * 3/2008 Kerrigan et al. 119/51.03
2008/0072829 A1 * 3/2008 Kerrigan et al. 119/61.5
2008/0141945 A1 6/2008 Markham
2009/0126641 A1 * 5/2009 Anderson et al. 119/61.5
2010/0012042 A1 * 1/2010 Lee 119/61.5

OTHER PUBLICATIONS

OurPet's®, DuraPet® Premium Stainless Steel Bowls, obtained at
http://ourpets.com/products_durapet.html on Apr. 27, 2011.

* cited by examiner

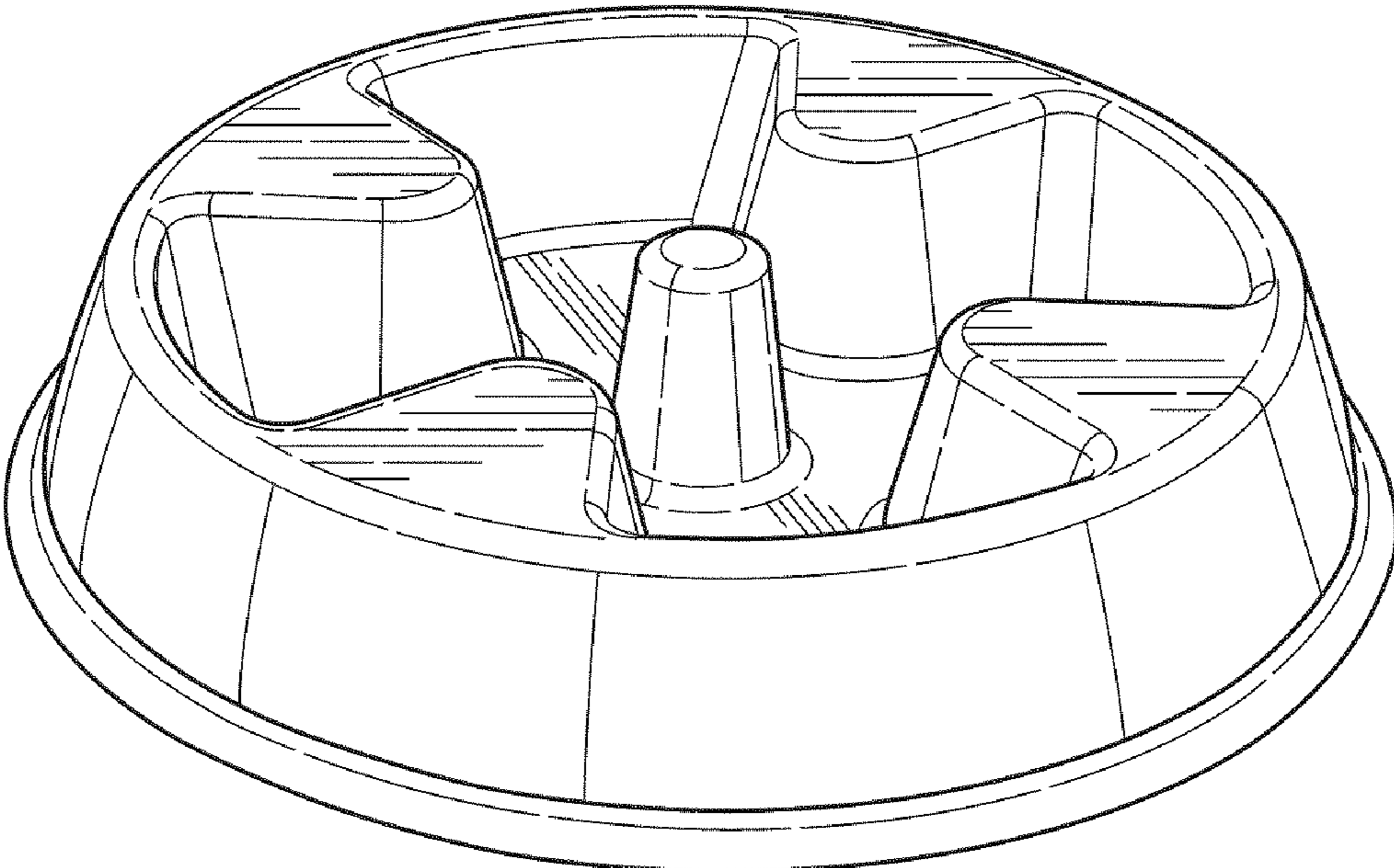


FIG. 1

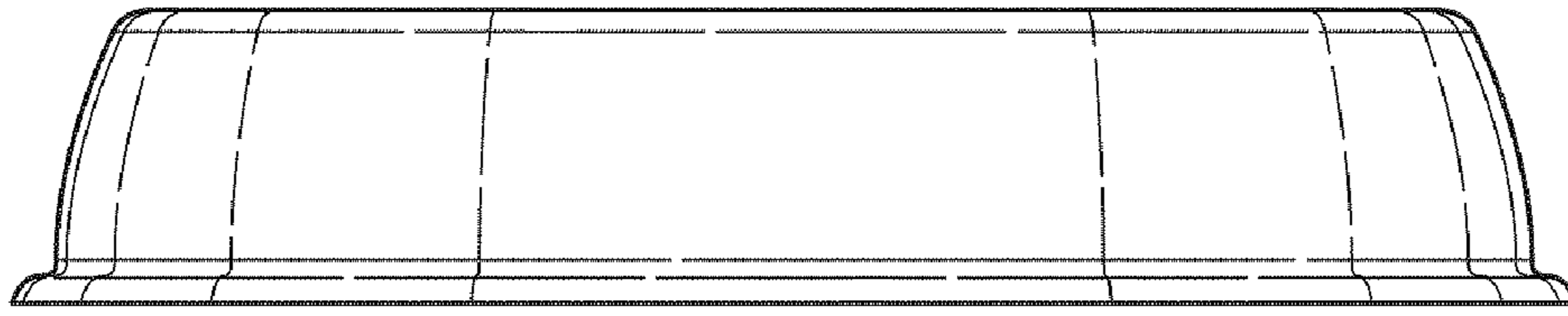


FIG. 2

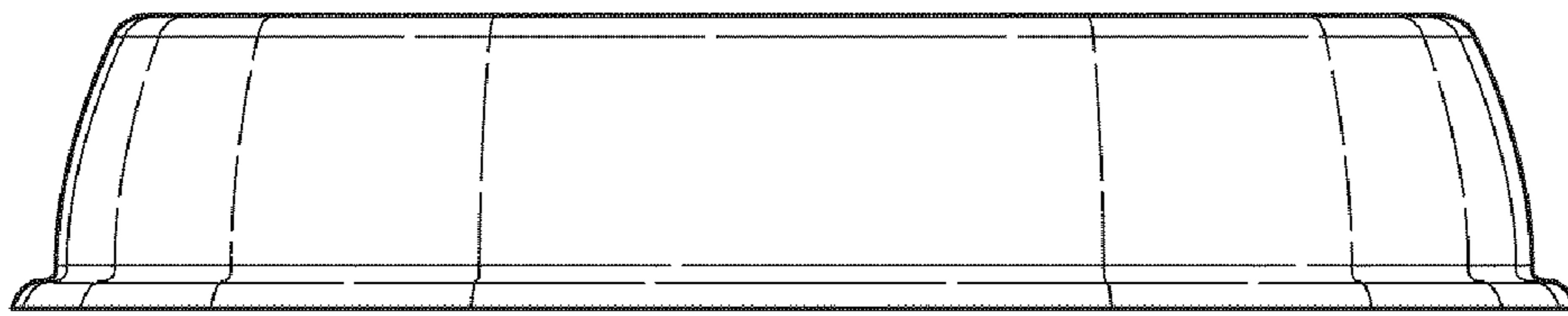


FIG. 3

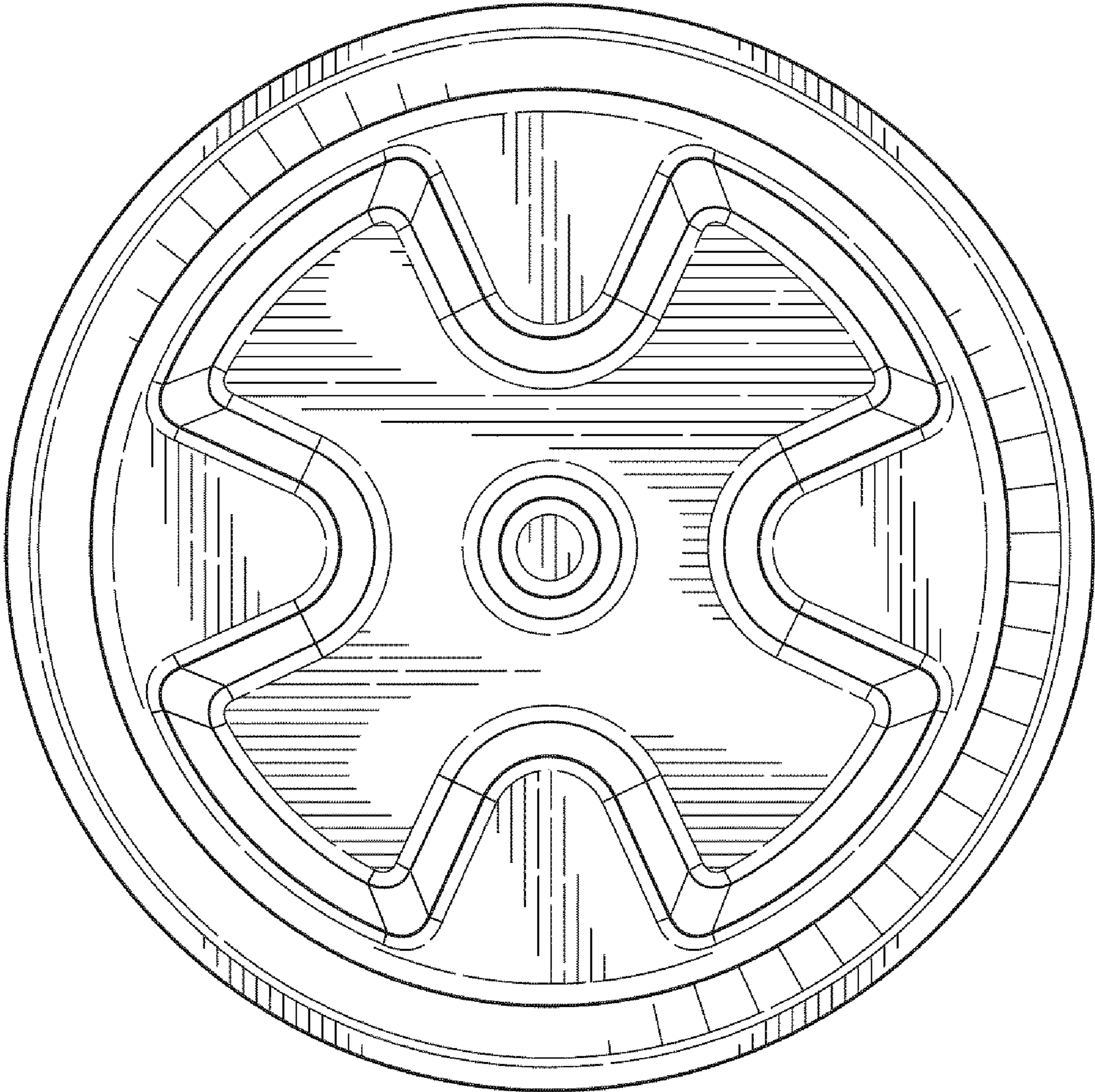


FIG. 4



FIG. 5