



US00D654224S

(12) **United States Design Patent**
Wu

(10) **Patent No.:** **US D654,224 S**
(45) **Date of Patent:** **** Feb. 14, 2012**

(54) **WELDING HELMET**

(75) Inventor: **Ziqian Wu**, NanJing (CN)

(73) Assignee: **Tecmen Electronics Co., Ltd.**, NanJing (CN)

(**) Term: **14 Years**

(21) Appl. No.: **29/397,930**

(22) Filed: **Jul. 22, 2011**

(51) **LOC (9) Cl.** **29-02**

(52) **U.S. Cl.** **D29/110**

(58) **Field of Classification Search** D29/100,
D29/102, 104, 105, 106, 107, 108, 109, 110,
D29/111, 122; D2/865, 866, 878, 879, 882,
D2/891, 892; D24/110.1, 110.2, 110.3; 2/455,
2/456, 410, 5, 6.6, 6.3, 6.5, 6.7, 7, 8.1-8.8,
2/206, 417, 418, 419, 15, 9, 424, 171, 205,
2/431, 432, 426; 128/206.12, 206.13, 206.16,
128/206.19, 206.28, 201.24, 857

See application file for complete search history.

(56) **References Cited**

U.S. PATENT DOCUMENTS

5,571,217	A *	11/1996	Del Bon et al.	2/9
D394,732	S *	5/1998	Huh	D29/110
D398,421	S *	9/1998	Crafoord et al.	D29/110
5,857,215	A *	1/1999	Ferguson et al.	2/8.3
6,185,739	B1 *	2/2001	Verkic et al.	2/8.1
D444,919	S *	7/2001	Kramer et al.	D29/110
D481,832	S *	11/2003	Huh	D29/110
D482,502	S *	11/2003	Huh	D29/110
D499,215	S *	11/2004	Cheng	D29/110
D521,190	S *	5/2006	Wu	D29/110
D524,991	S *	7/2006	Martin et al.	D29/110
D527,849	S *	9/2006	Huh	D29/110
D530,864	S *	10/2006	Huh	D29/110
D540,989	S *	4/2007	Huh	D29/110
D540,990	S *	4/2007	Huh	D29/110
7,308,719	B2 *	12/2007	Huh	2/8.2

D565,800	S *	4/2008	Wang	D29/110
D565,801	S *	4/2008	Curci et al.	D29/110
7,409,723	B2 *	8/2008	Huh	2/8.2
D584,006	S *	12/2008	Juhlin	D29/122
D584,858	S *	1/2009	Wang	D29/110
D586,956	S *	2/2009	Huh	D29/110
D594,600	S *	6/2009	Huh	D29/110
D628,750	S *	12/2010	Schwanz	D29/110
D635,721	S *	4/2011	Cheng	D29/110
D636,129	S *	4/2011	Wu	D29/110
D637,353	S *	5/2011	Wang	D29/110
D640,419	S *	6/2011	Wright	D29/110
2007/0079417	A1 *	4/2007	Huh	2/8.2
2008/0060102	A1 *	3/2008	Matthews et al.	2/8.2

* cited by examiner

Primary Examiner — Elizabeth J Oswecki

(74) *Attorney, Agent, or Firm* — Leydig, Voit & Mayer, Ltd.

(57) **CLAIM**

The ornamental design for a welding helmet, as shown and described.

DESCRIPTION

FIG. 1 is a top, front, right side perspective view of a welding helmet showing my new design;

FIG. 2 is a top plan view of the welding helmet shown in FIG. 1;

FIG. 3 is a bottom plan view of the welding helmet shown in FIG. 1;

FIG. 4 is a front elevational view of the welding helmet shown in FIG. 1;

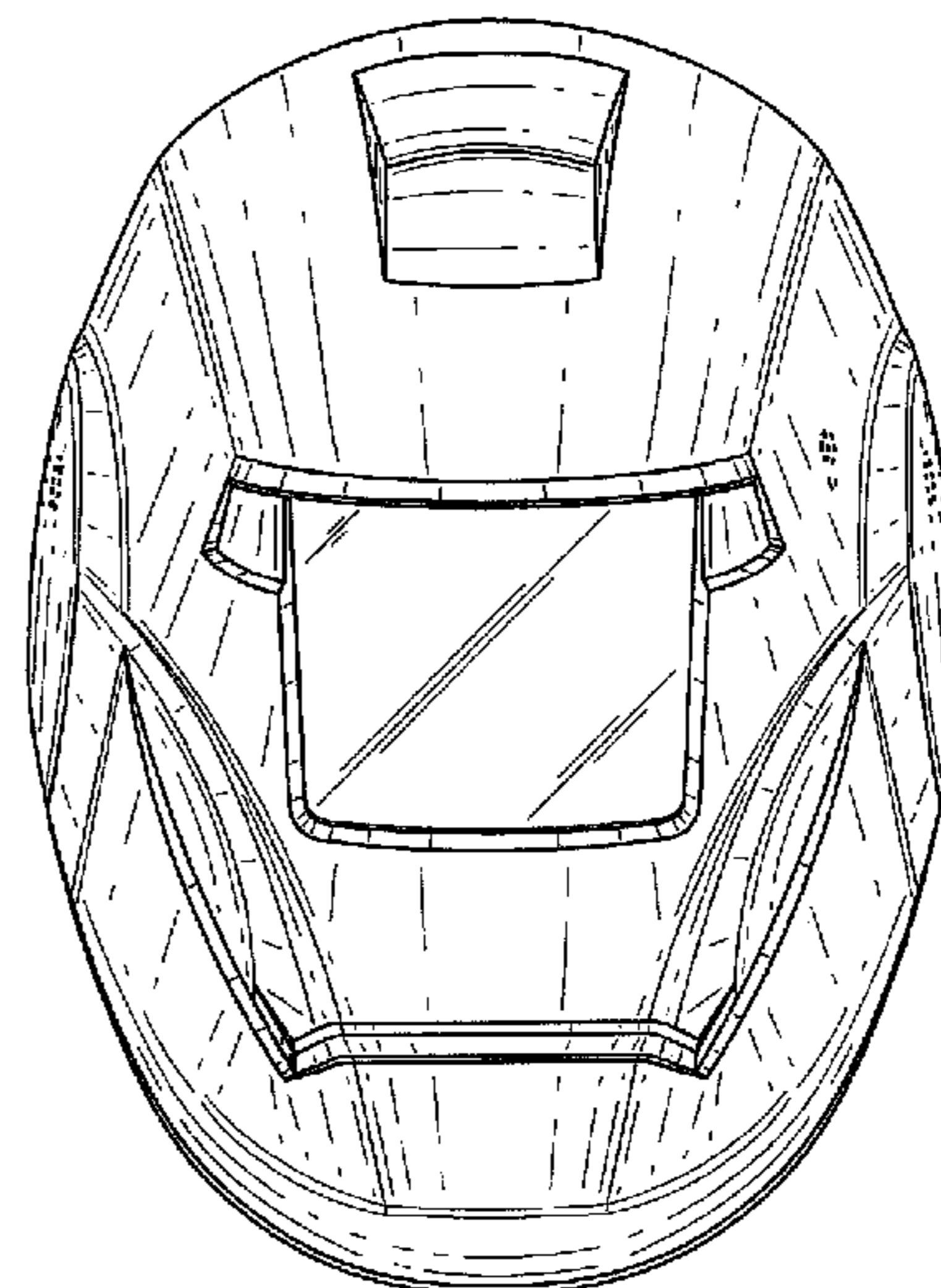
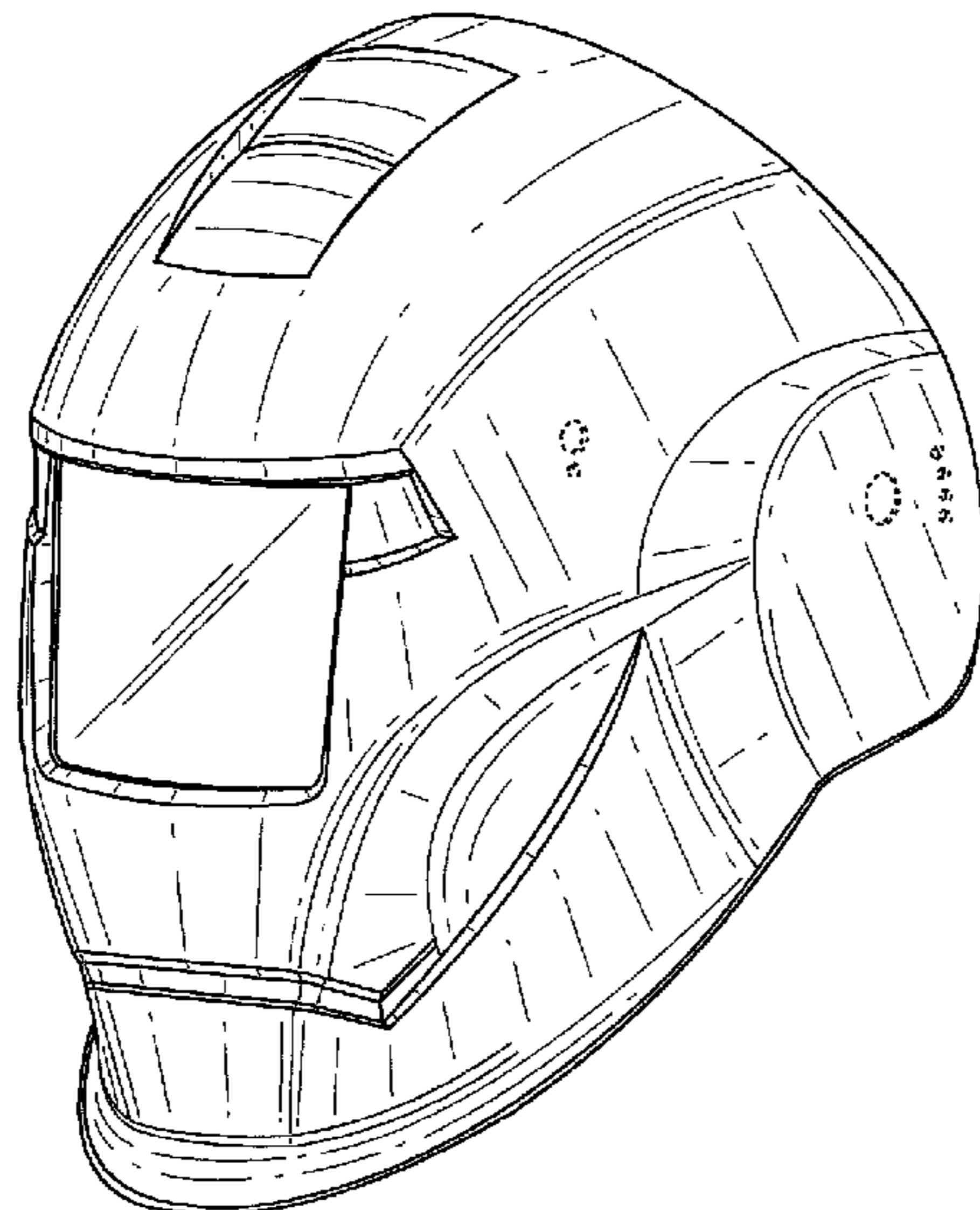
FIG. 5 is a rear elevational view of the welding helmet shown in FIG. 1;

FIG. 6 is a left side elevational view of the welding helmet shown in FIG. 1; and,

FIG. 7 is a right side elevational view of the welding helmet shown in FIG. 1.

In the drawings, the broken lines in FIGS. 1-7 depict portions of the design that form no part of the claim.

1 Claim, 7 Drawing Sheets



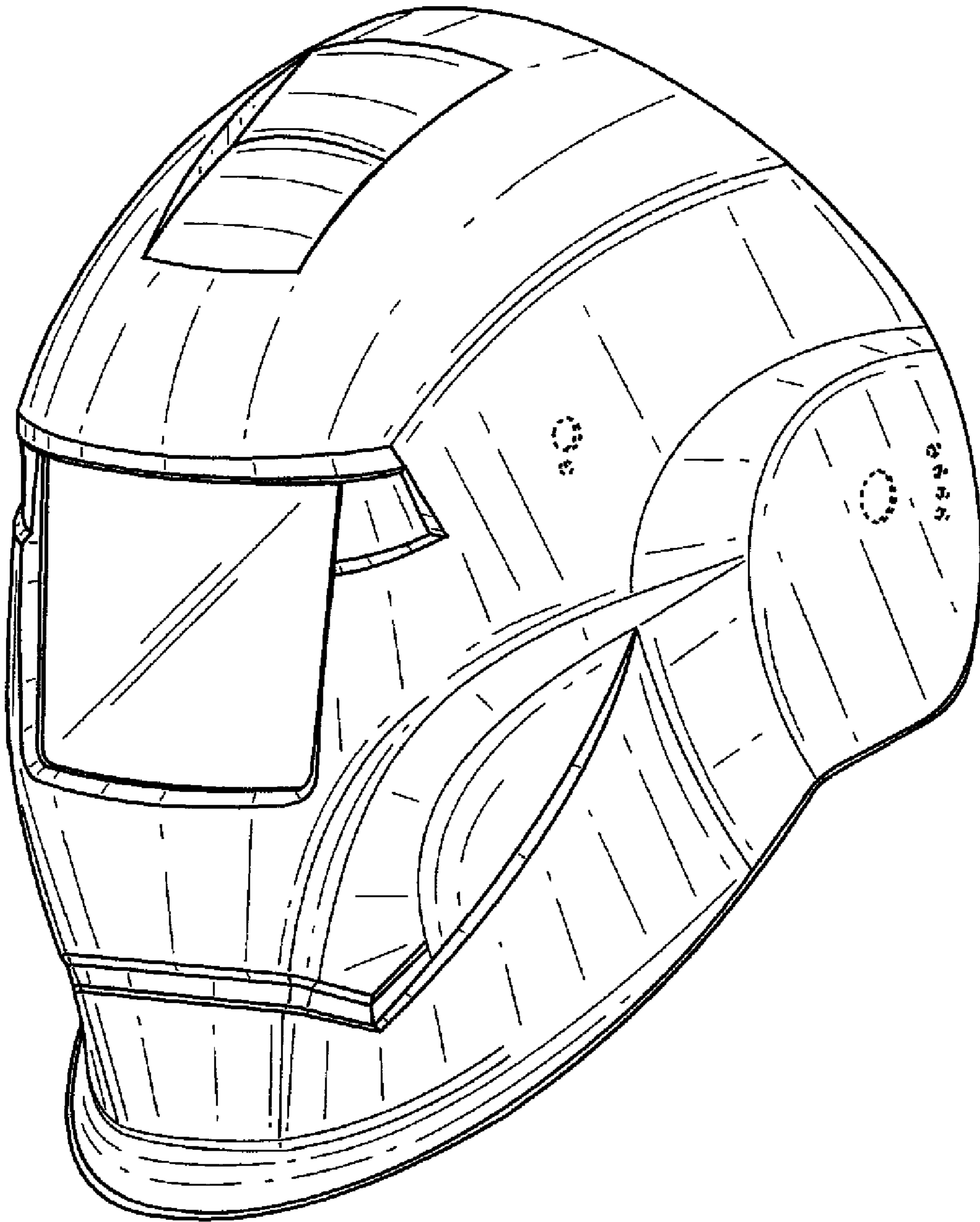


FIG. 1

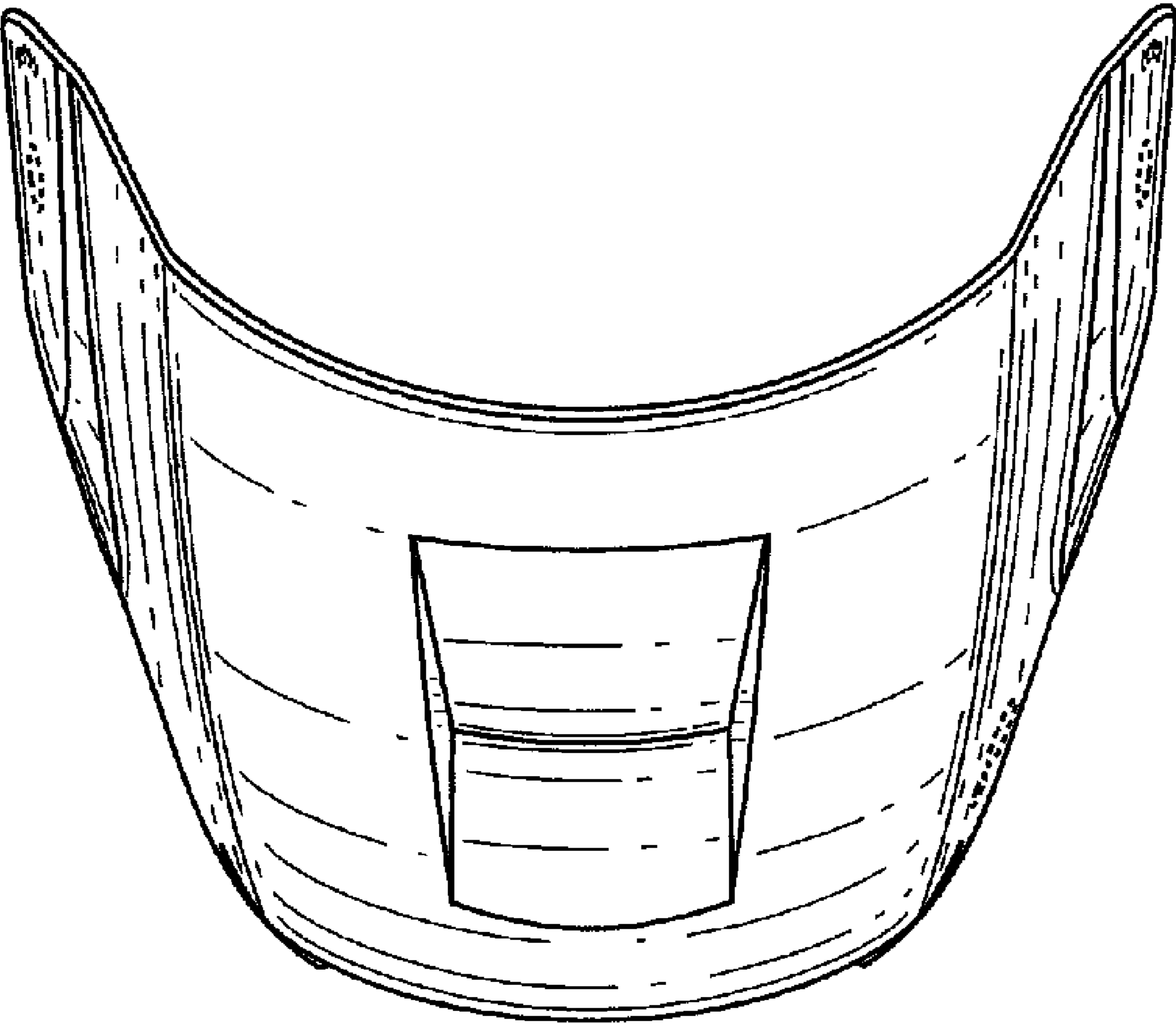


FIG. 2

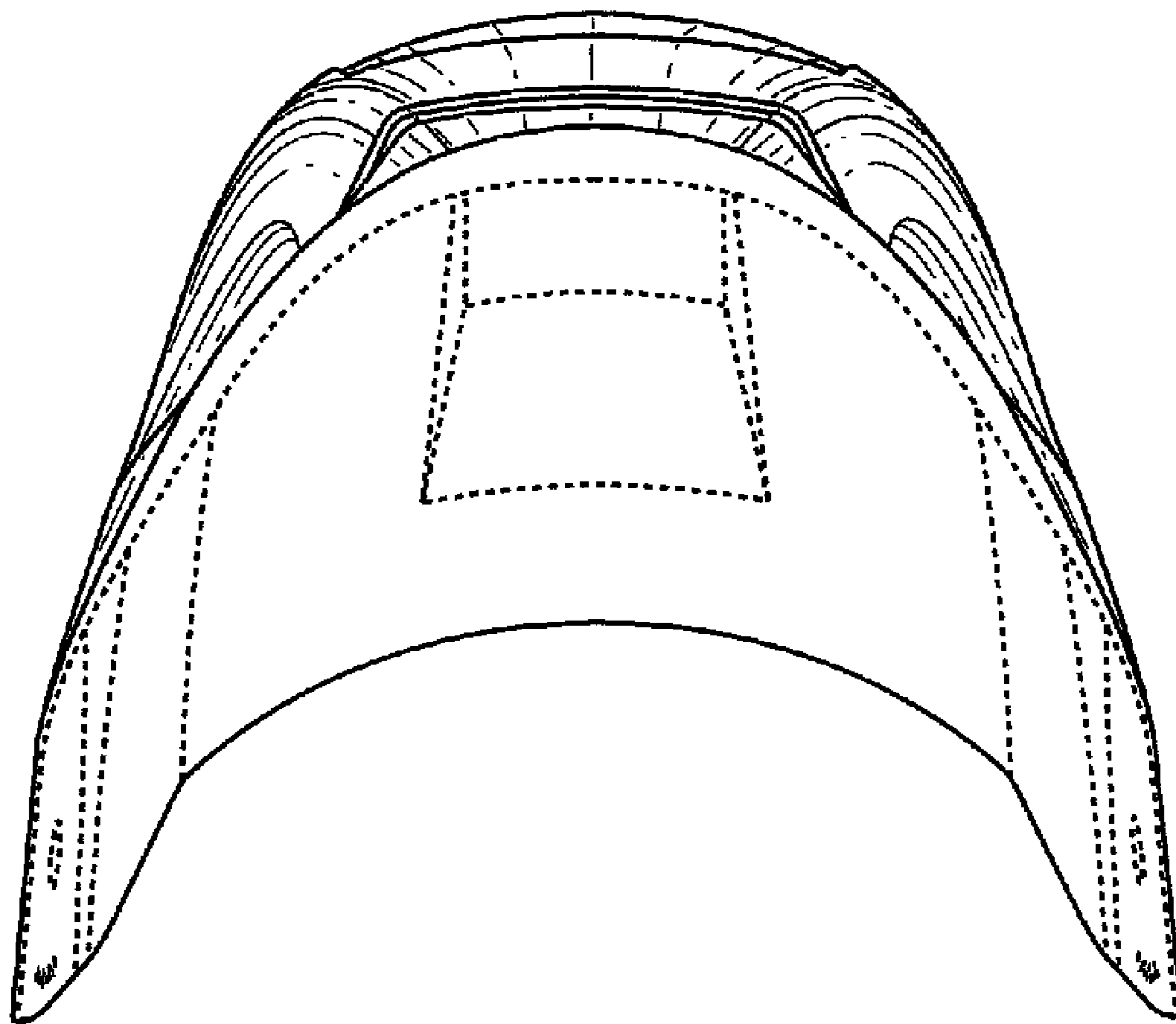


FIG. 3

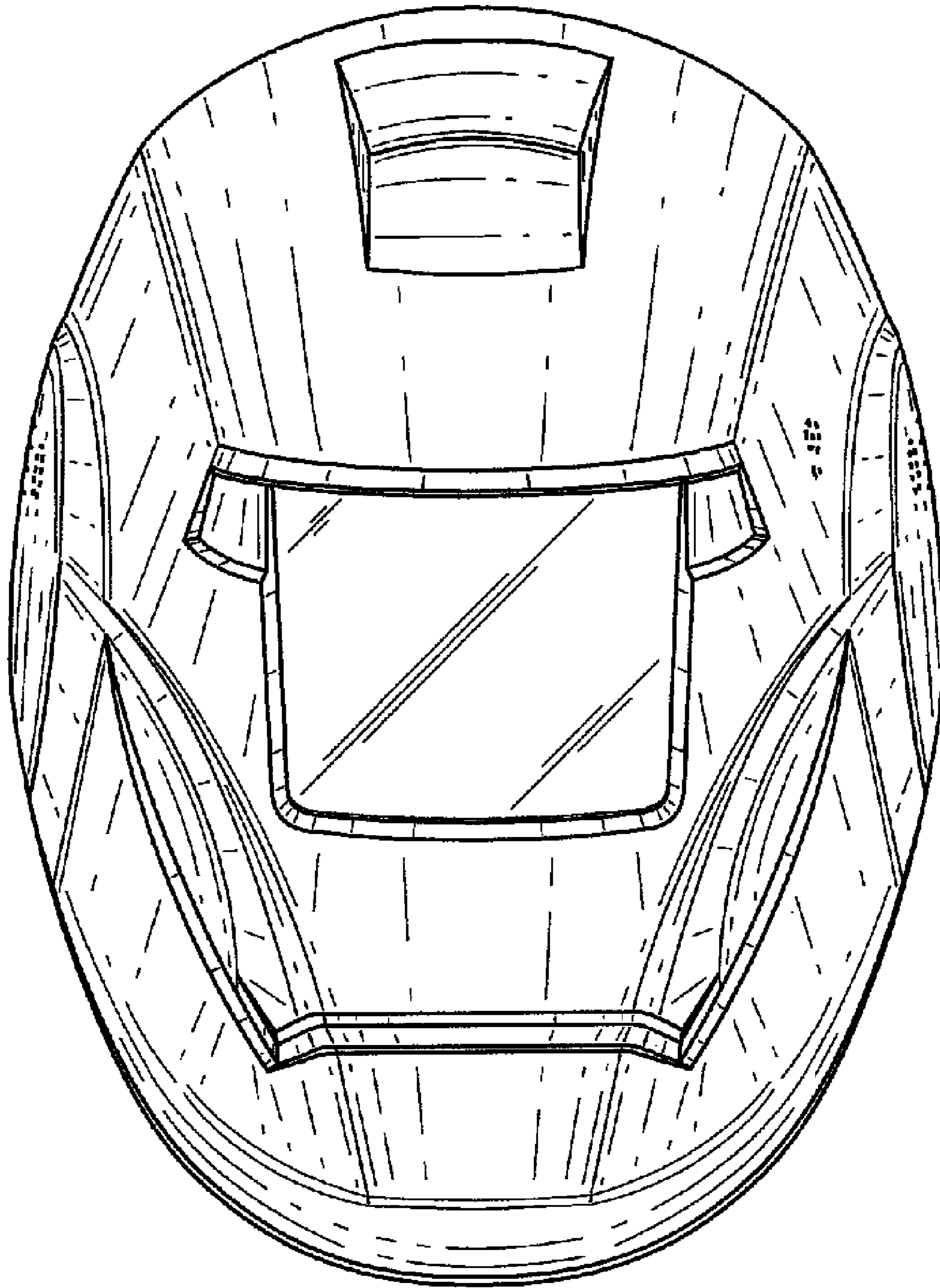


FIG. 4

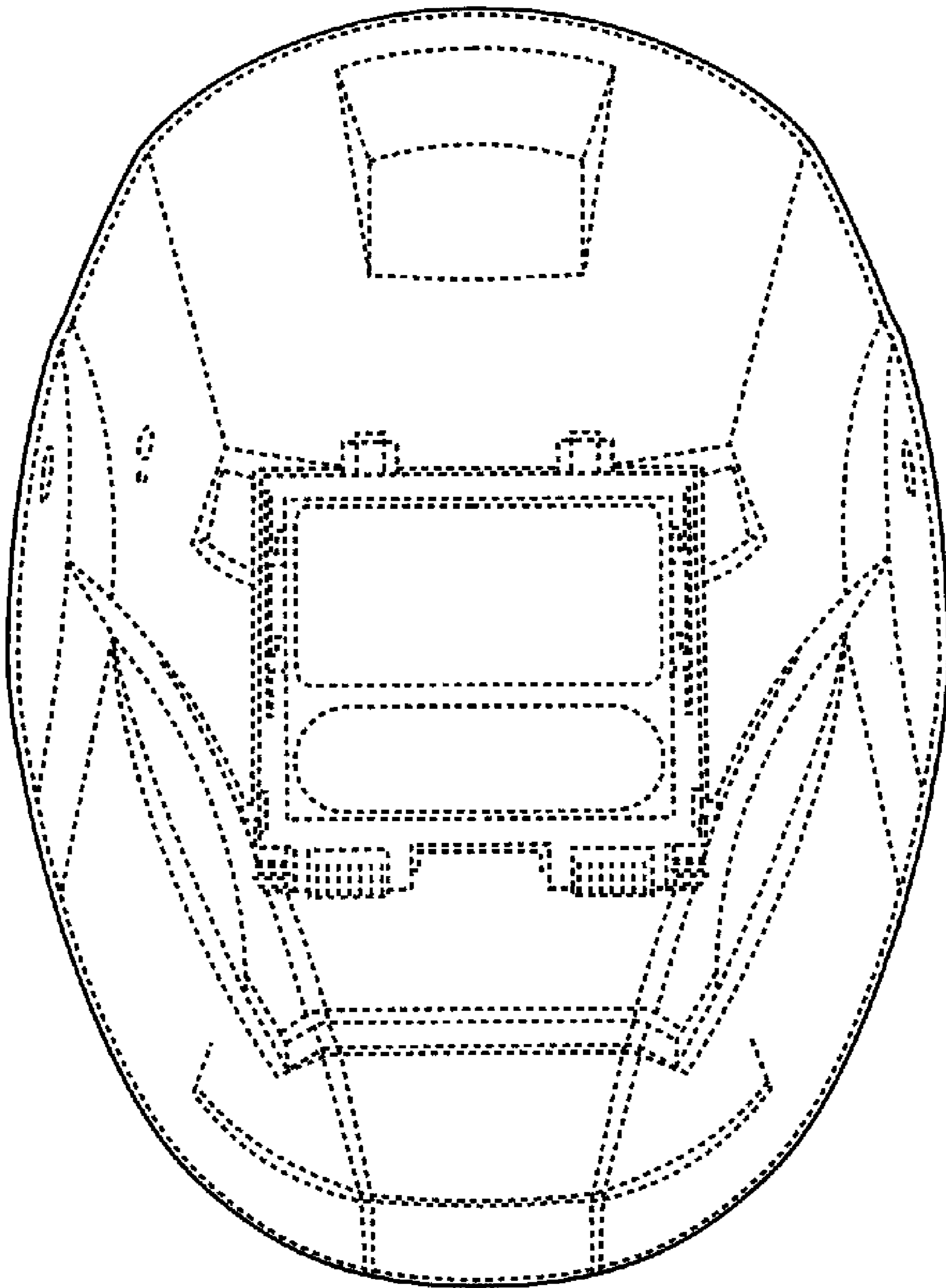


FIG. 5

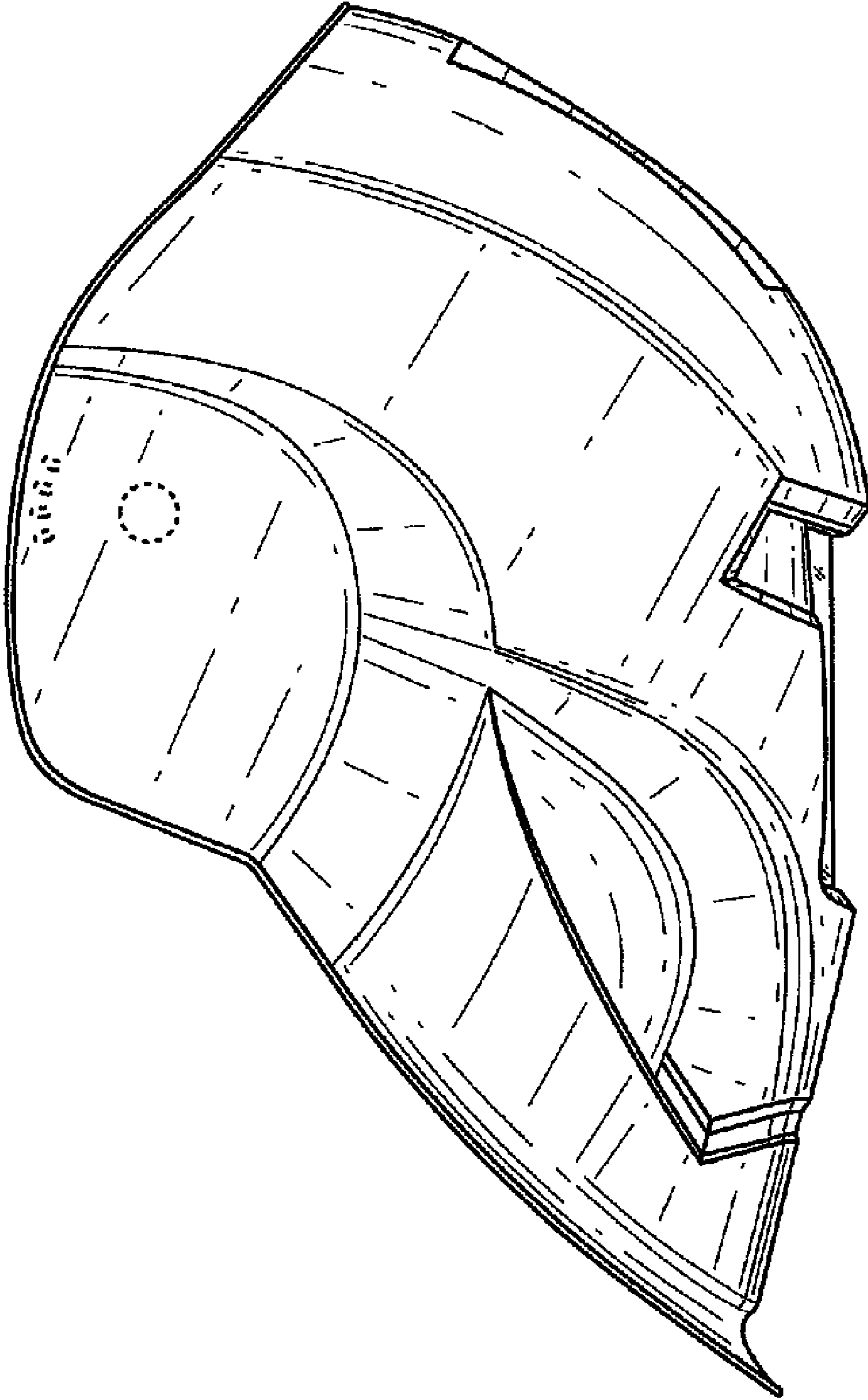


FIG. 6

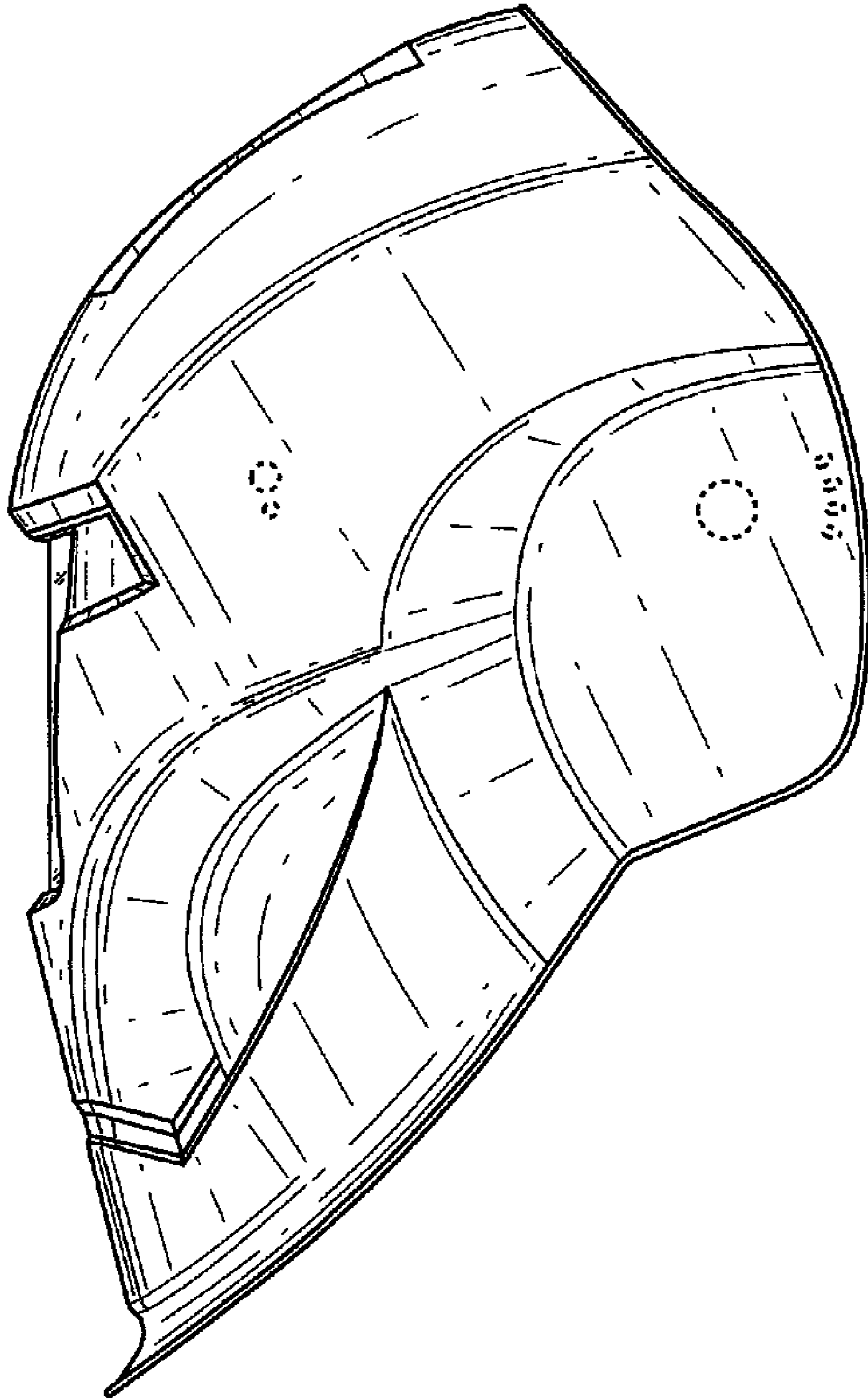


FIG. 7