



US00D654223S

(12) **United States Design Patent**  
**Aulwes et al.**

(10) **Patent No.:** **US D654,223 S**  
(45) **Date of Patent:** **\*\* Feb. 14, 2012**

(54) **ROTARY SHAVER**

(75) Inventors: **Chad Aulwes**, Sterling, IL (US); **Steve Yde**, Sterling, IL (US); **Brian Fagan**, Oregon, IL (US); **Robert N. Buck, Jr.**, Rock Falls, IL (US)

(73) Assignee: **Wahl Clipper Corporation**, Sterling, IL (US)

(\*\*) Term: **14 Years**

(21) Appl. No.: **29/384,877**

(22) Filed: **Feb. 4, 2011**

(51) **LOC (9) Cl.** ..... **28-03**

(52) **U.S. Cl.** ..... **D28/50**

(58) **Field of Classification Search** ..... 30/32, 34.05, 30/34.1-34.2, 30-31, 43-43.92, 44-45, 47-51, 30/77-84, 526-541, 346.5-346.61, 194-196, 30/198-205, 208-216, 233-233.5; D28/44-44.1, D28/45-54

See application file for complete search history.

(56) **References Cited**

U.S. PATENT DOCUMENTS

D326,735	S *	6/1992	Mauro	.....	D28/50
6,502,309	B2	1/2003	De Vries et al.		
6,938,344	B2	9/2005	Zuidervaart et al.		
7,269,902	B2	9/2007	Van Der Meer		
D563,599	S *	3/2008	Prat-Pfister	.....	D28/50

7,471,062	B2	12/2008	Bruning		
D601,301	S *	9/2009	Bao	.....	D28/50
D602,636	S *	10/2009	Lothar et al.	.....	D28/54
D620,641	S *	7/2010	Nitz et al.	.....	D28/50
D637,759	S *	5/2011	Byun	.....	D28/50
2009/0025227	A1	1/2009	Minkes et al.		
2009/0025228	A1	1/2009	Minkes et al.		
2010/0287784	A1*	11/2010	Qiu	.....	30/527

\* cited by examiner

*Primary Examiner* — Jennifer Rivard

(74) *Attorney, Agent, or Firm* — Greer, Burns & Crain, Ltd.

(57) **CLAIM**

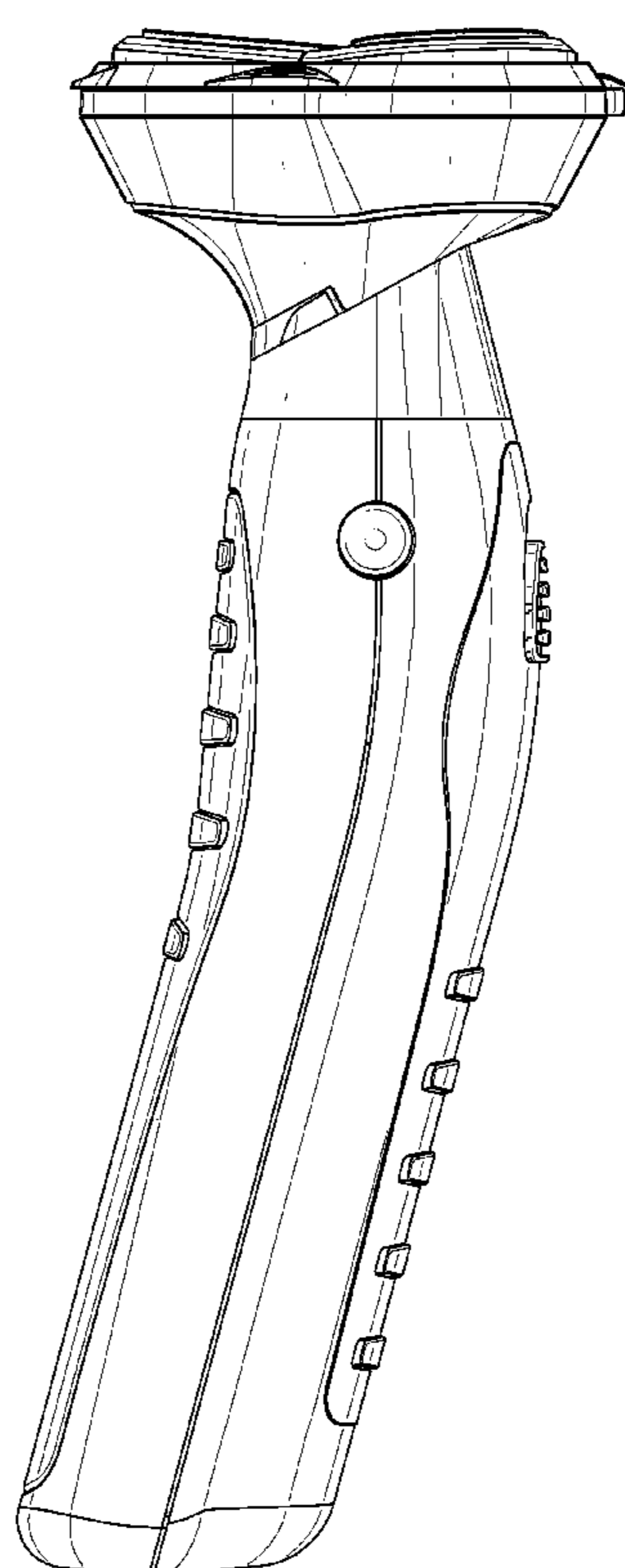
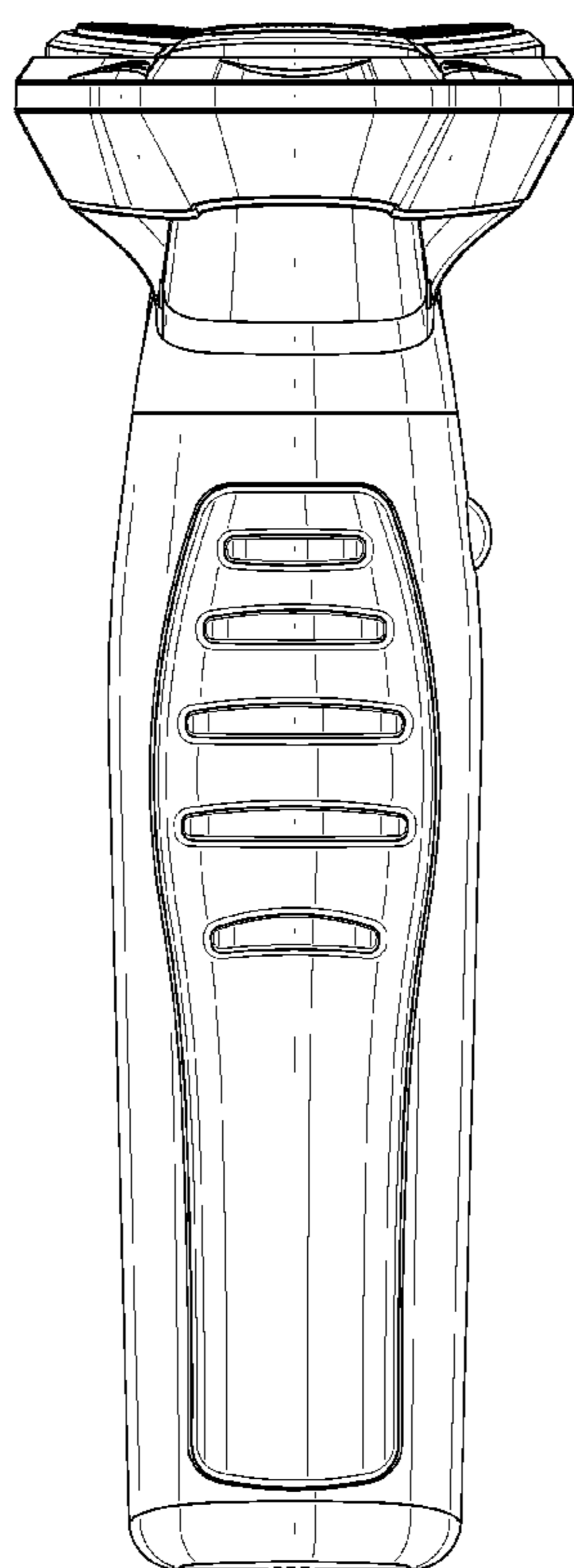
We claim the ornamental design for a rotary shaver, as shown and described.

**DESCRIPTION**

FIG. 1 is a bottom perspective view of the present rotary shaver;  
FIG. 2 is a front view of same;  
FIG. 3 is a rear view of same;  
FIG. 4 is a left side view of same;  
FIG. 5 is a right side view of same;  
FIG. 6 is a top view of same; and,  
FIG. 7 is a bottom view of same.

The broken lines shown in the drawings illustrate portions of the article and form no part of the claimed design.

**1 Claim, 6 Drawing Sheets**



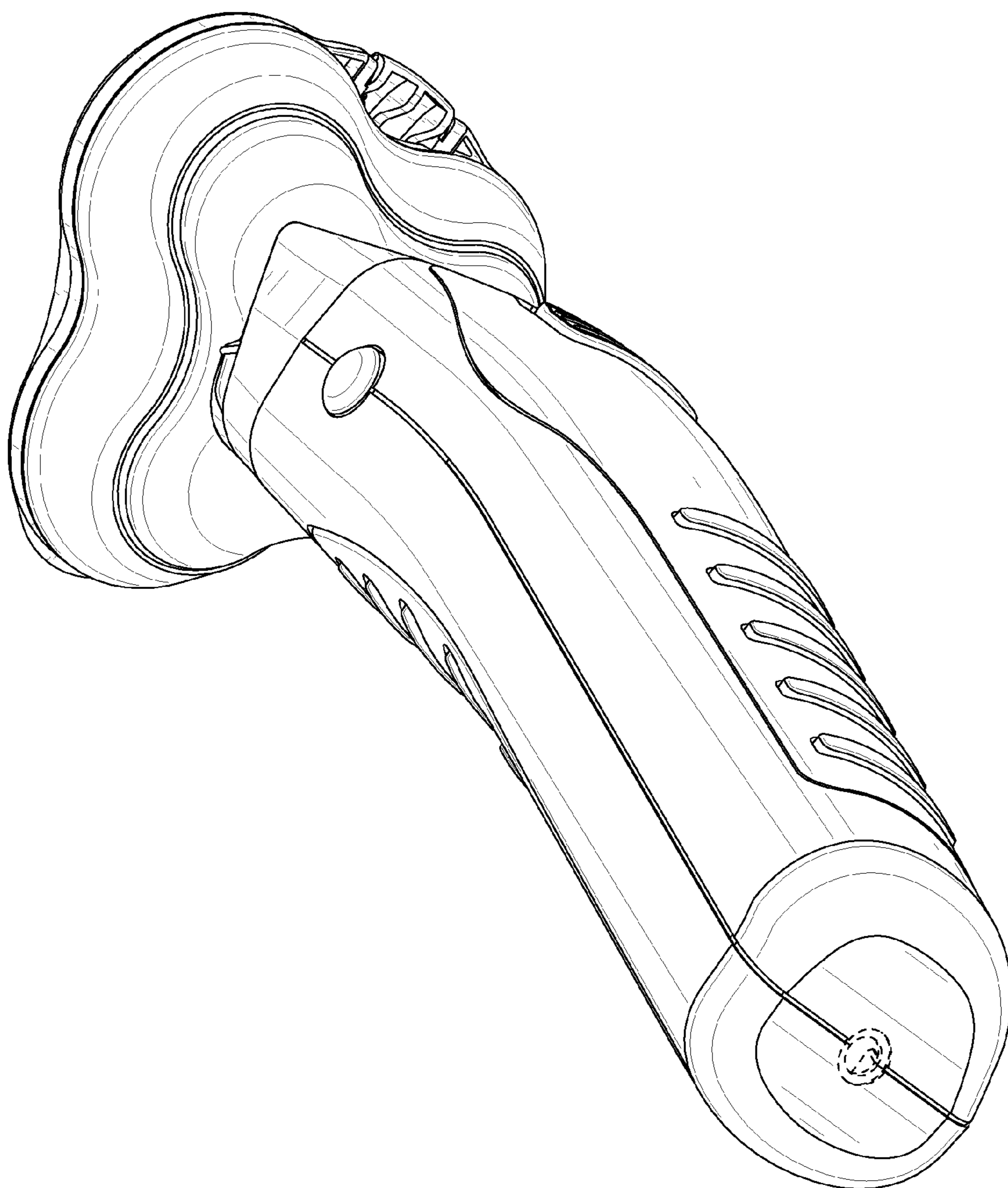


FIG. 1

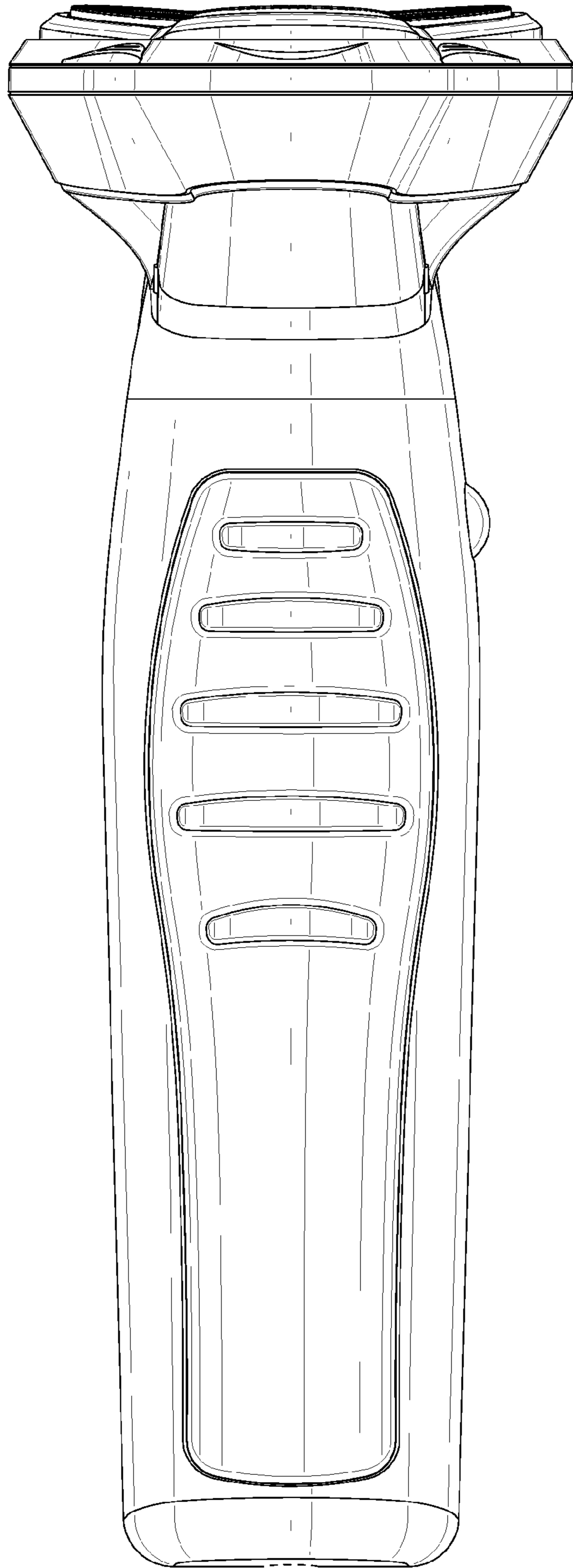


FIG. 2

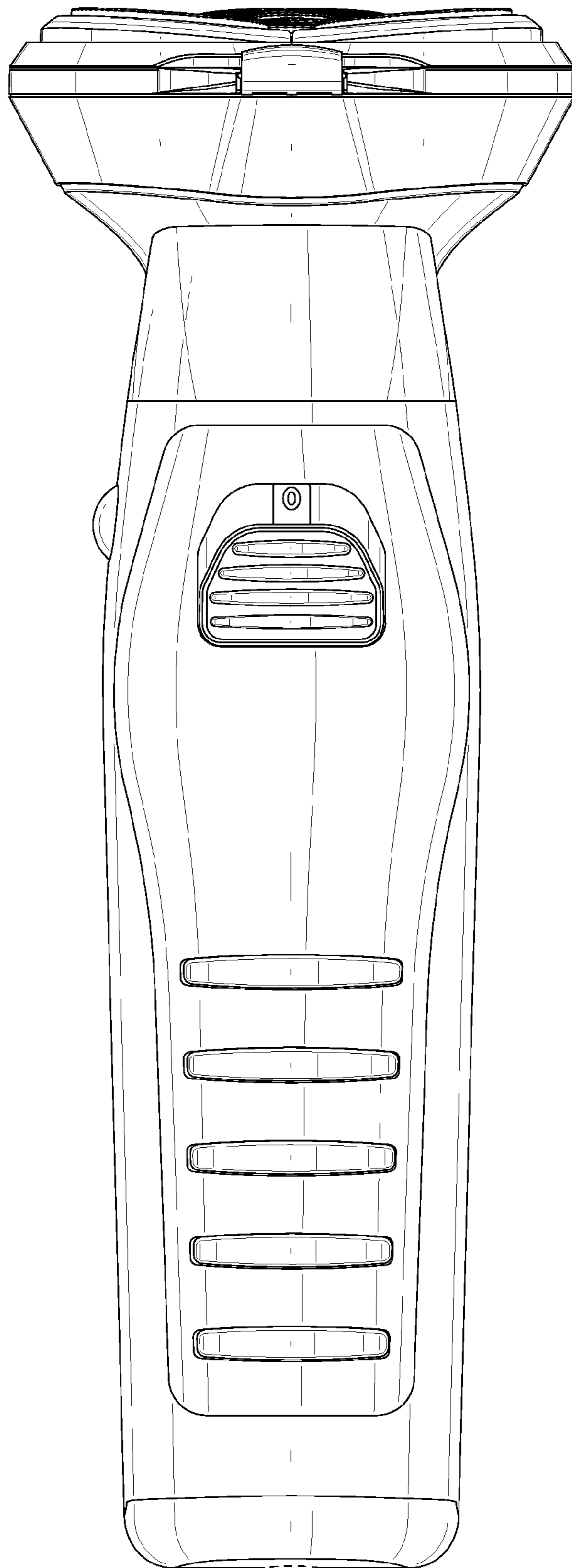


FIG. 3

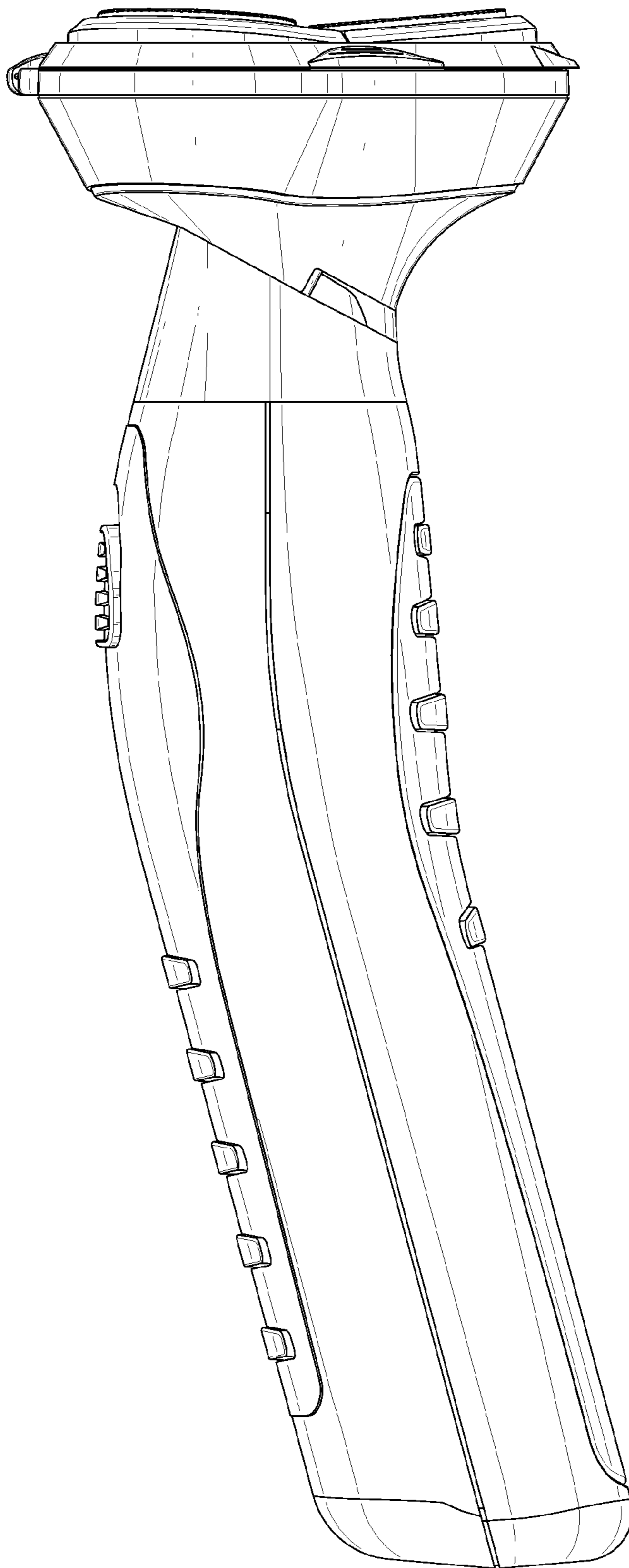


FIG. 4

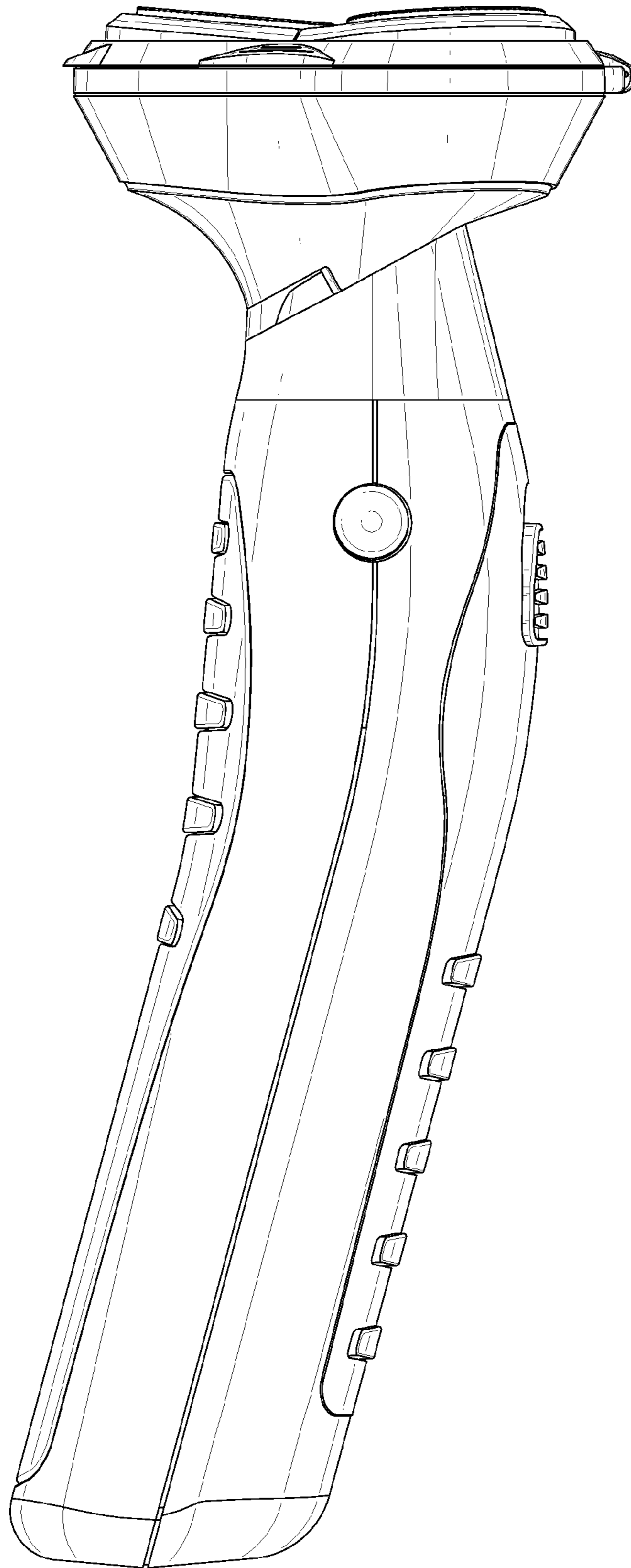


FIG. 5

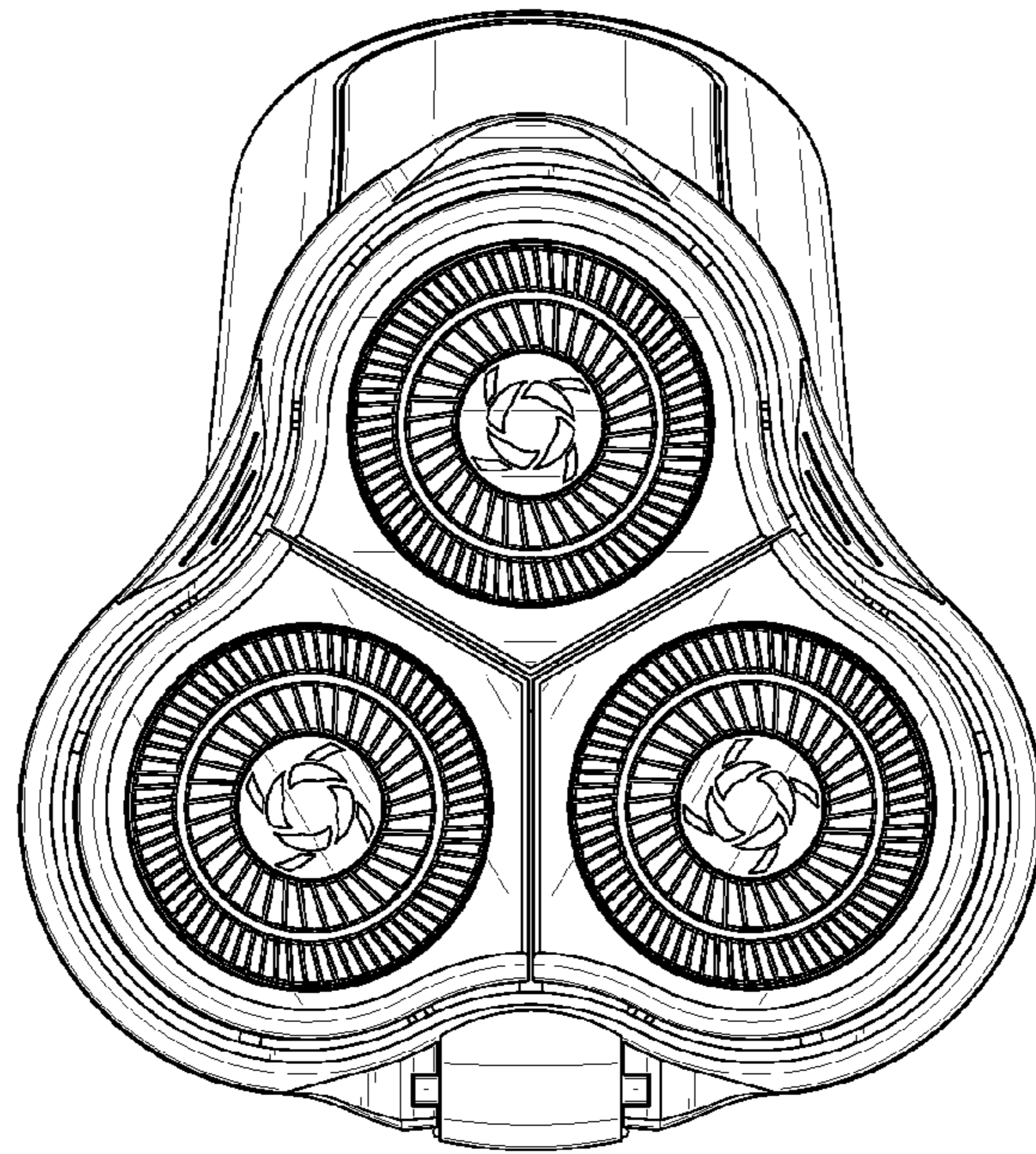


FIG. 6

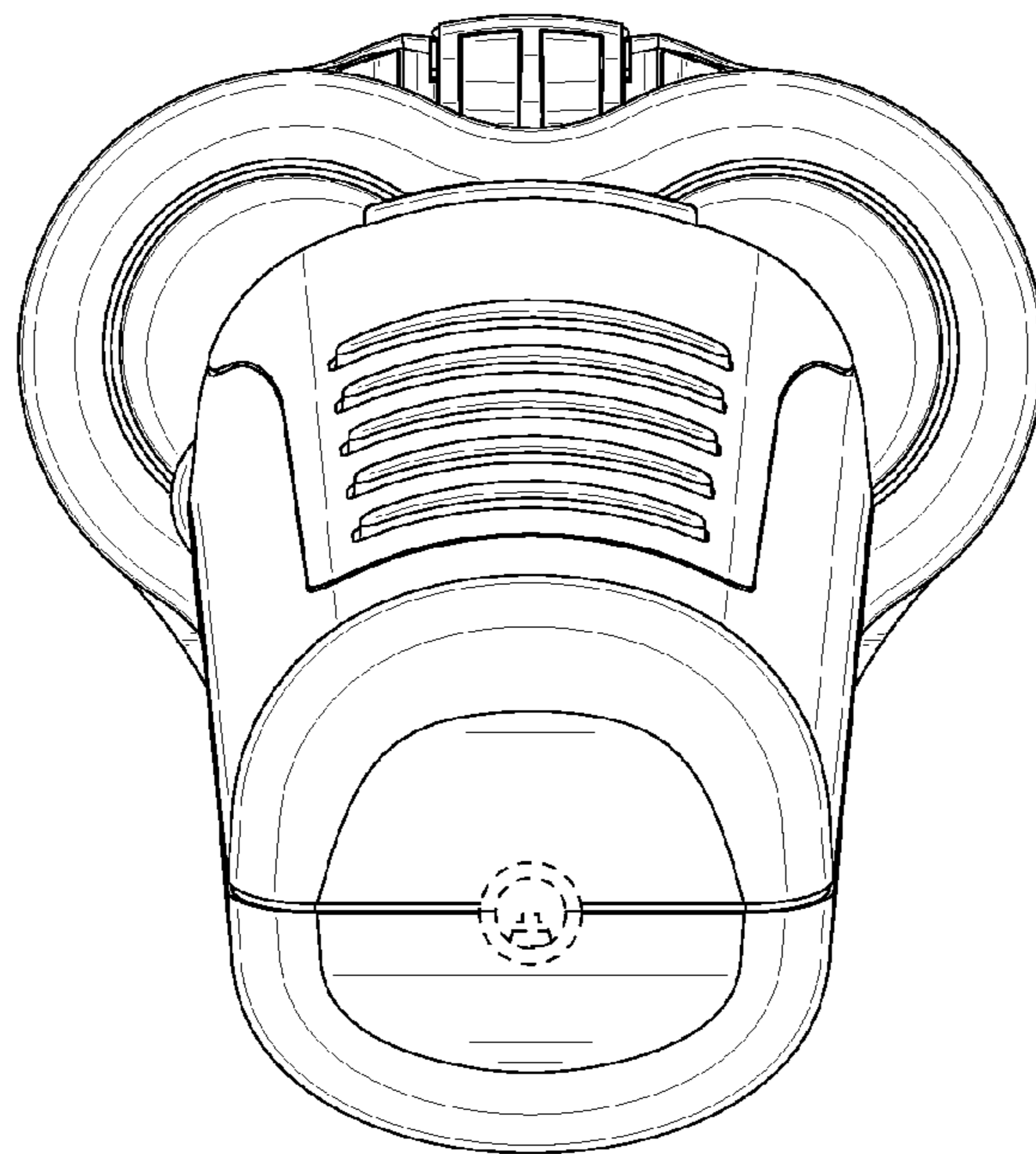


FIG. 7