



US00D654222S

(12) **United States Design Patent**  
**Coresh**

(10) **Patent No.:** **US D654,222 S**

(45) **Date of Patent:** **\*\* Feb. 14, 2012**

(54) **HANDLE FOR A SHAVING RAZOR**

*Primary Examiner* — Jennifer Rivard

(75) Inventor: **Alon Leon Coresh**, Marina del Rey, CA (US)

(74) *Attorney, Agent, or Firm* — Blakely, Sokoloff, Taylor & Zafman LLP

(73) Assignee: **Rolling Razor, Inc.**, Marina Del Rey, CA (US)

(57) **CLAIM**

(\*\*) Term: **14 Years**

The ornamental design for a handle for a shaving razor, as shown and described.

(21) Appl. No.: **29/390,167**

(22) Filed: **Apr. 20, 2011**

**DESCRIPTION**

(51) **LOC (9) Cl.** ..... **28-03**

(52) **U.S. Cl.** ..... **D28/48**

(58) **Field of Classification Search** ..... D28/44,  
D28/44.1-48; 30/32, 34.05, 34.1, 34.2, 43,  
30/42, 44-61, 77-84, 526-538

See application file for complete search history.

FIG. 1 is a perspective view of a handle for a shaving razor. FIG. 2 is a front view of a handle for a shaving razor of FIG. 1.

FIG. 3 is a rear view of a handle for a shaving razor of FIG. 1. FIG. 4 is a top view of a handle for a shaving razor of FIG. 1. FIG. 5 is a bottom view of a handle for a shaving razor of FIG. 1.

FIG. 6 is a right side view of a handle for a shaving razor of FIG. 1; and,

FIG. 7 is a left side view of a handle for a shaving razor of FIG. 1.

The broken lines in the figures are for environmental purpose only and form no part of the claimed design.

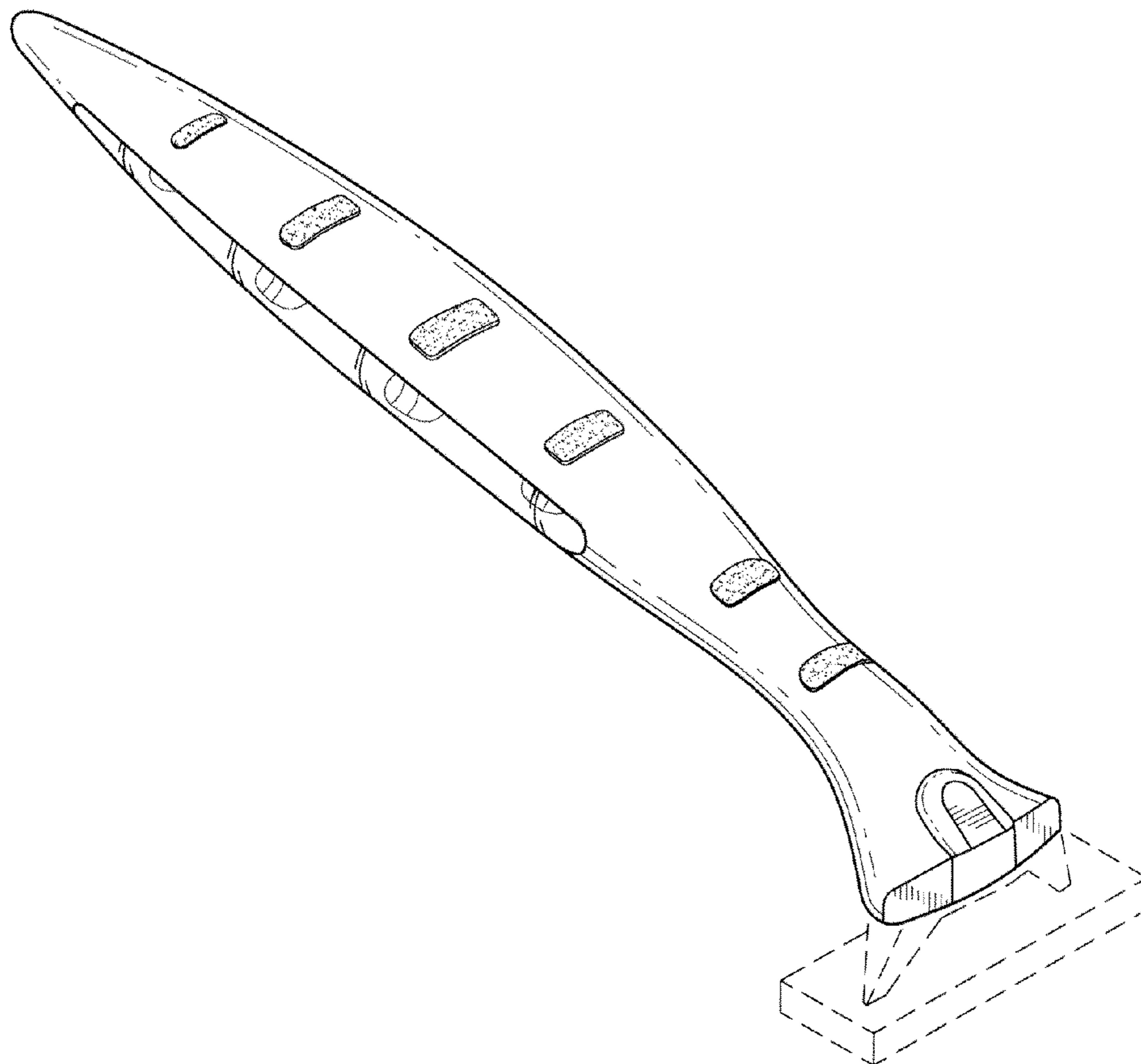
(56) **References Cited**

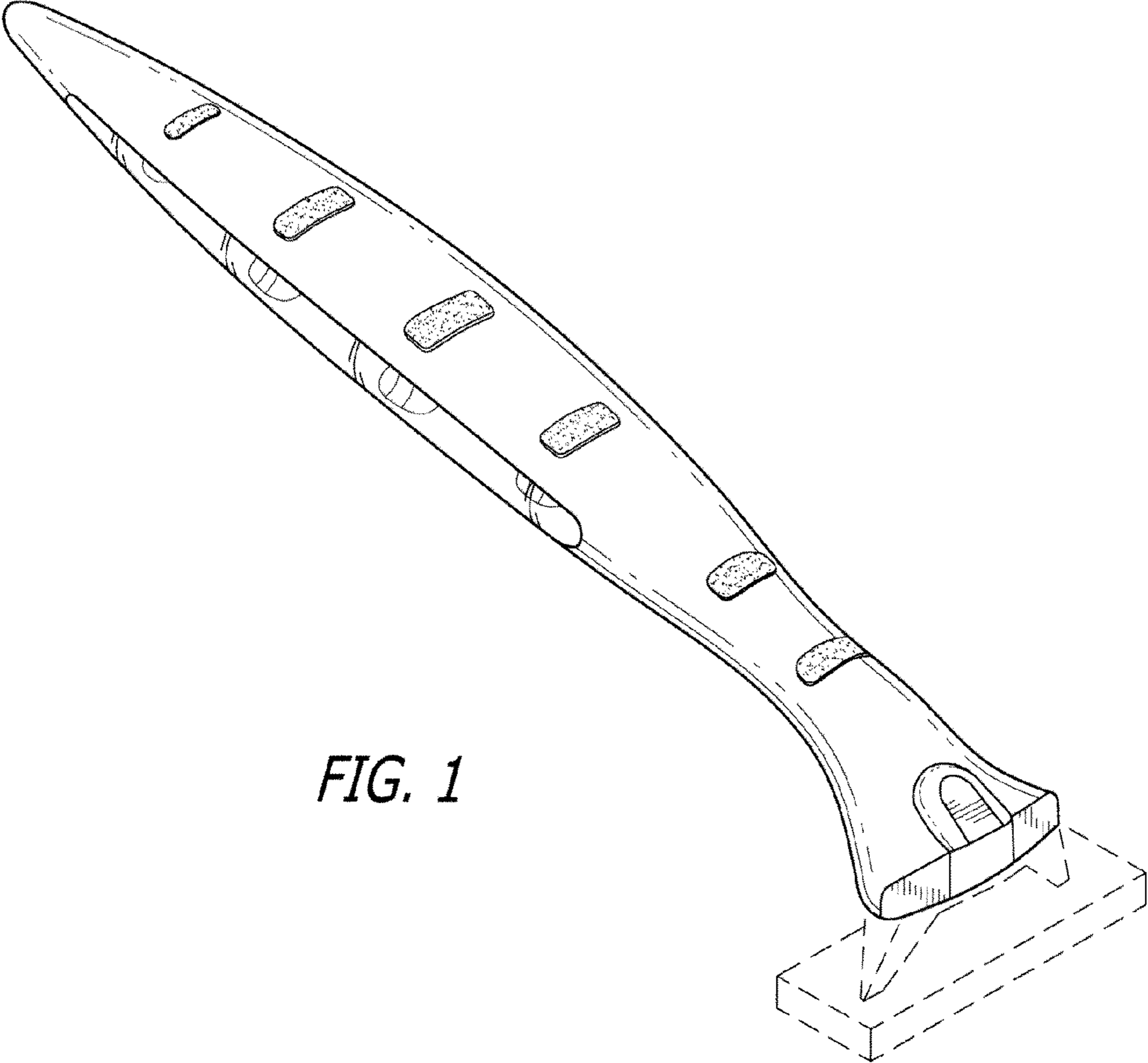
**U.S. PATENT DOCUMENTS**

D506,034 S *	6/2005	Cornelissen	.....	D28/46
D614,354 S *	4/2010	Christie et al.	.....	D28/48
D628,345 S *	11/2010	Webb	.....	D28/48
D632,433 S *	2/2011	Nakasuka	.....	D28/48
D636,531 S *	4/2011	Wilson	.....	D28/46

\* cited by examiner

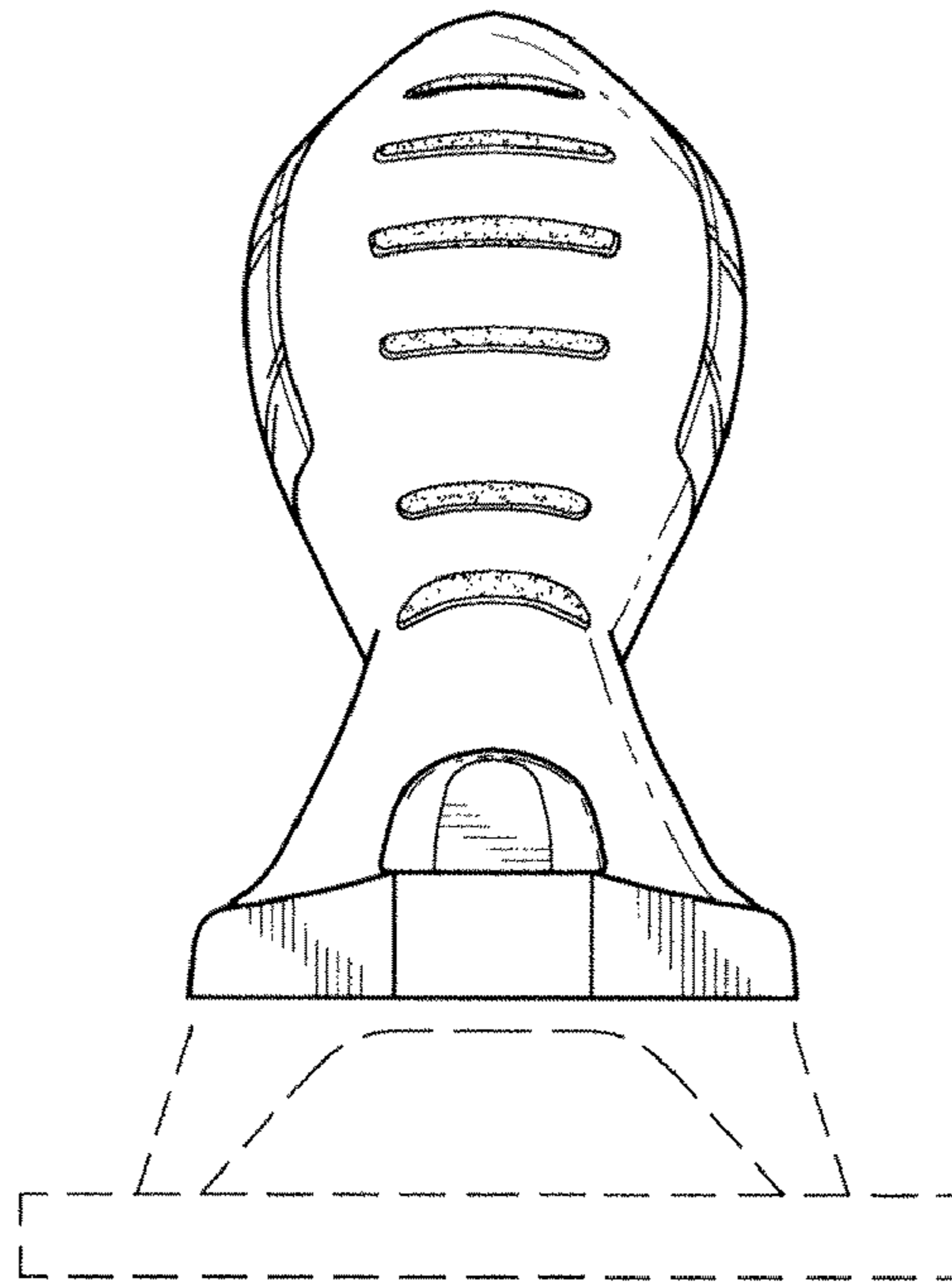
**1 Claim, 5 Drawing Sheets**



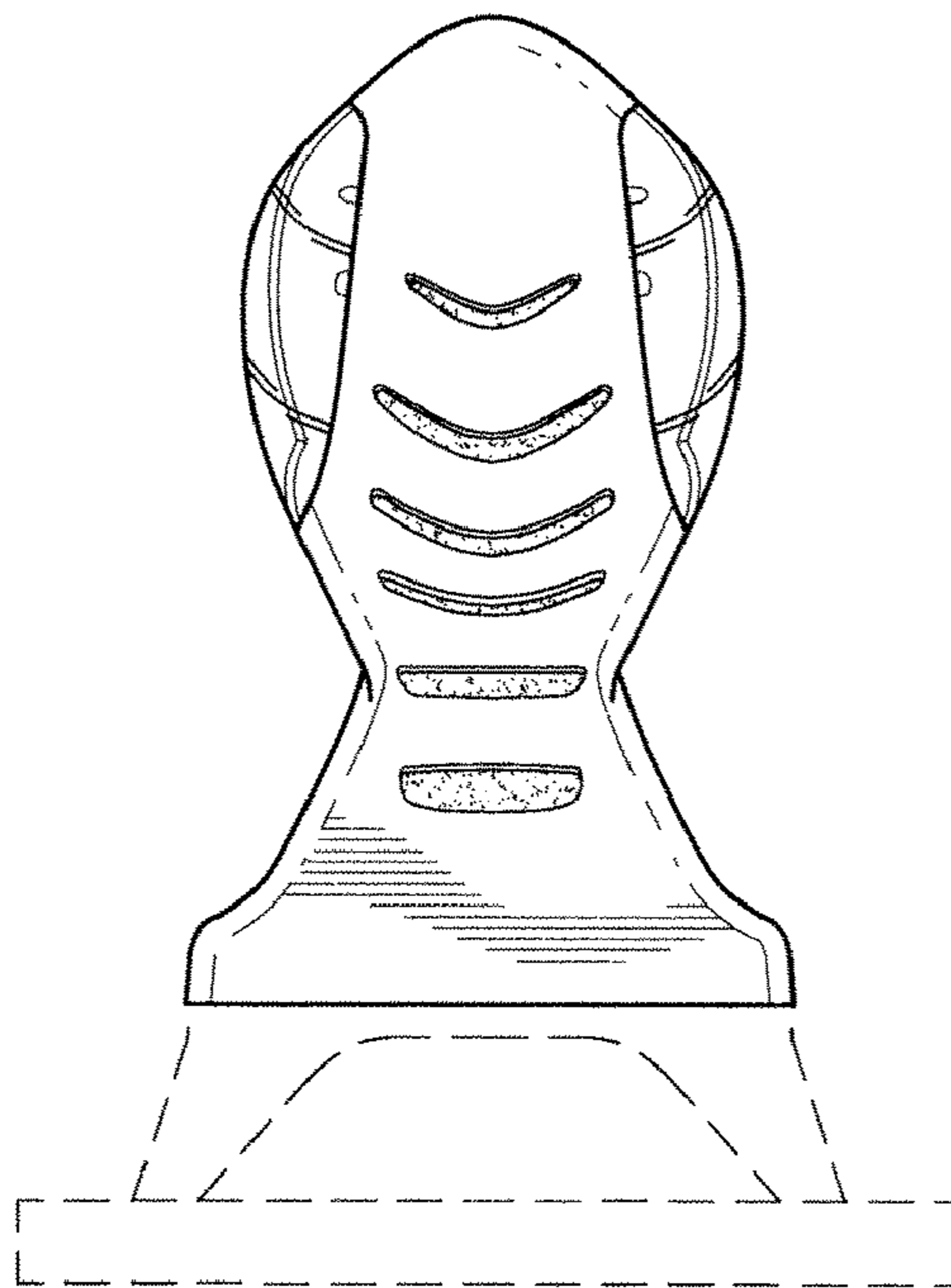


*FIG. 1*

*FIG. 2*



*FIG. 3*



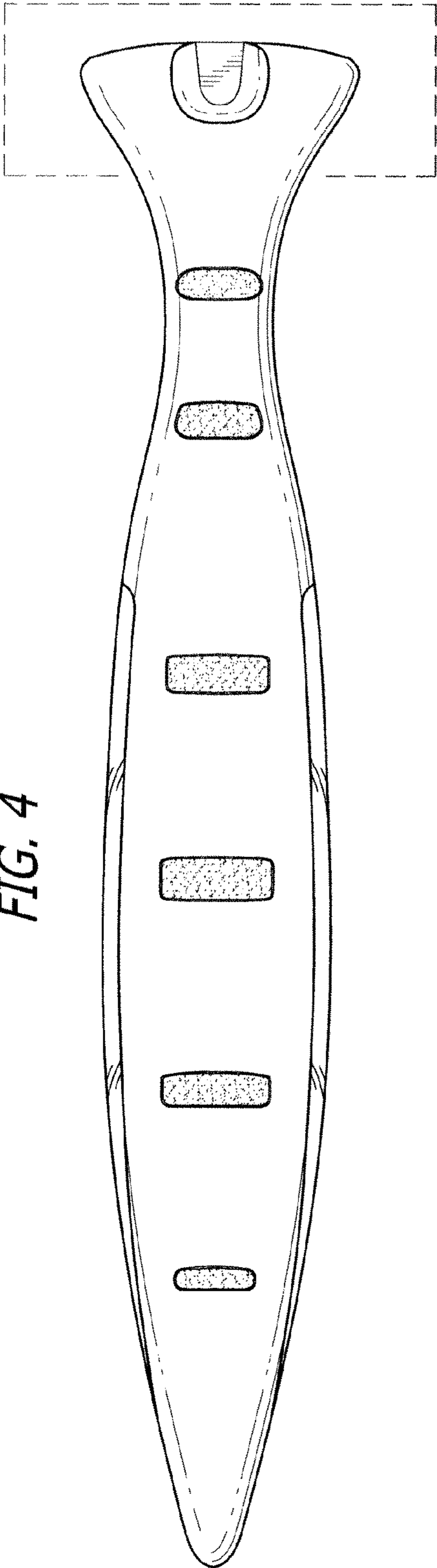


FIG. 4

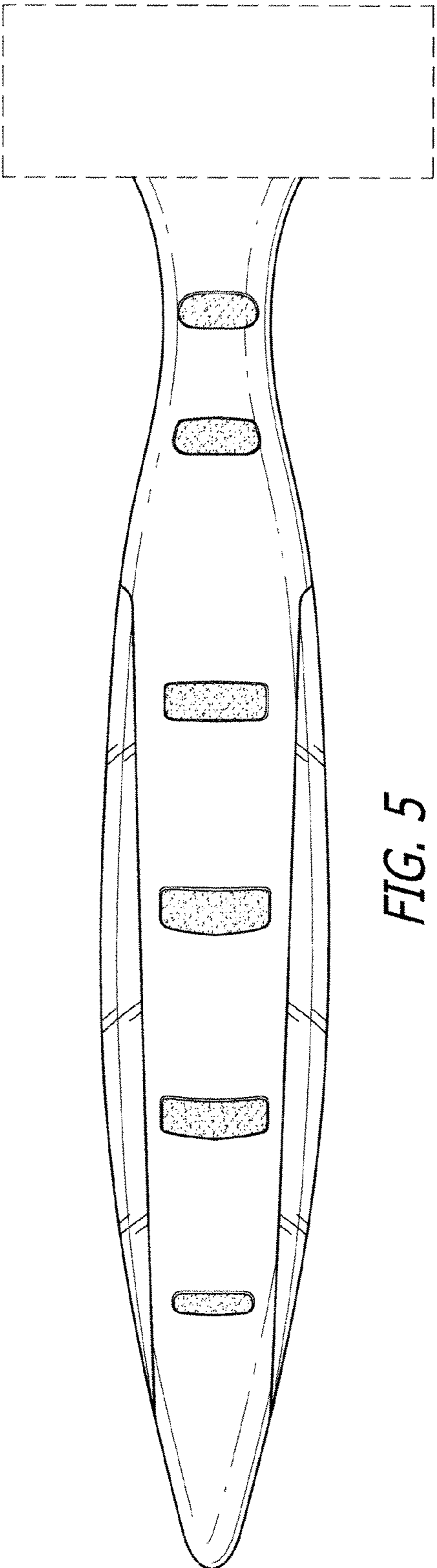


FIG. 5

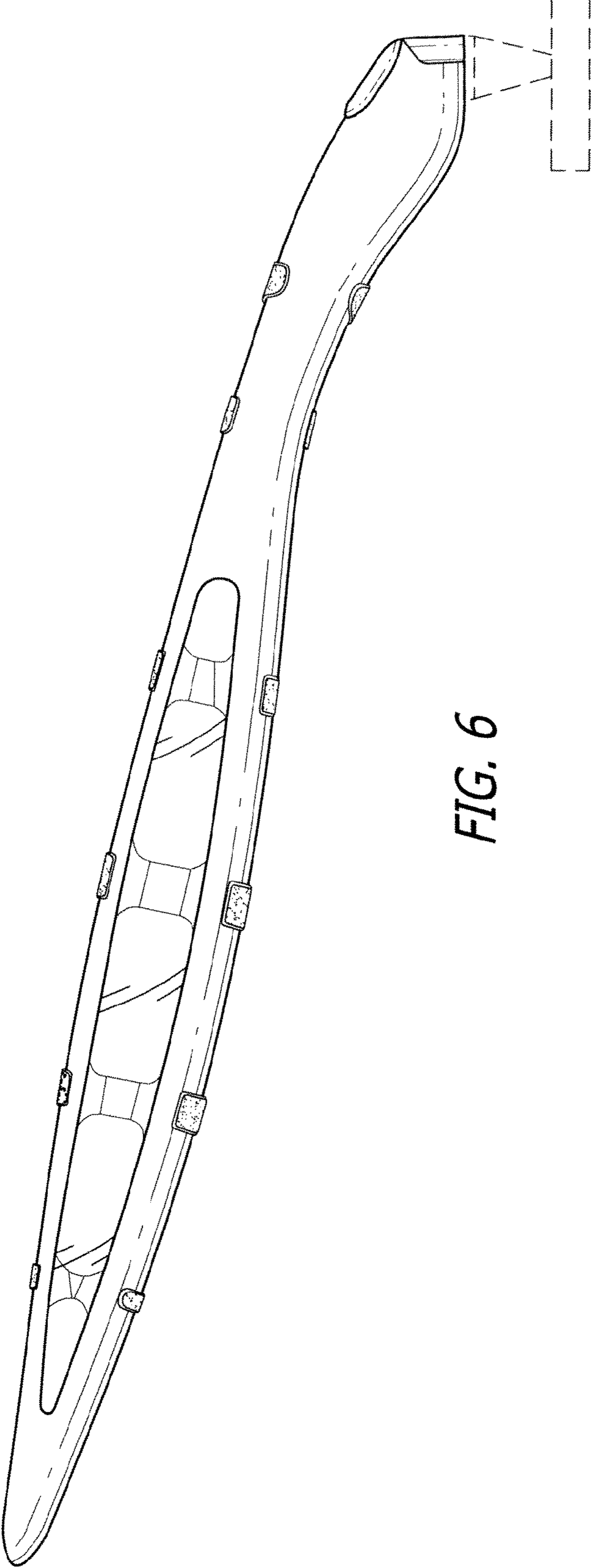


FIG. 6



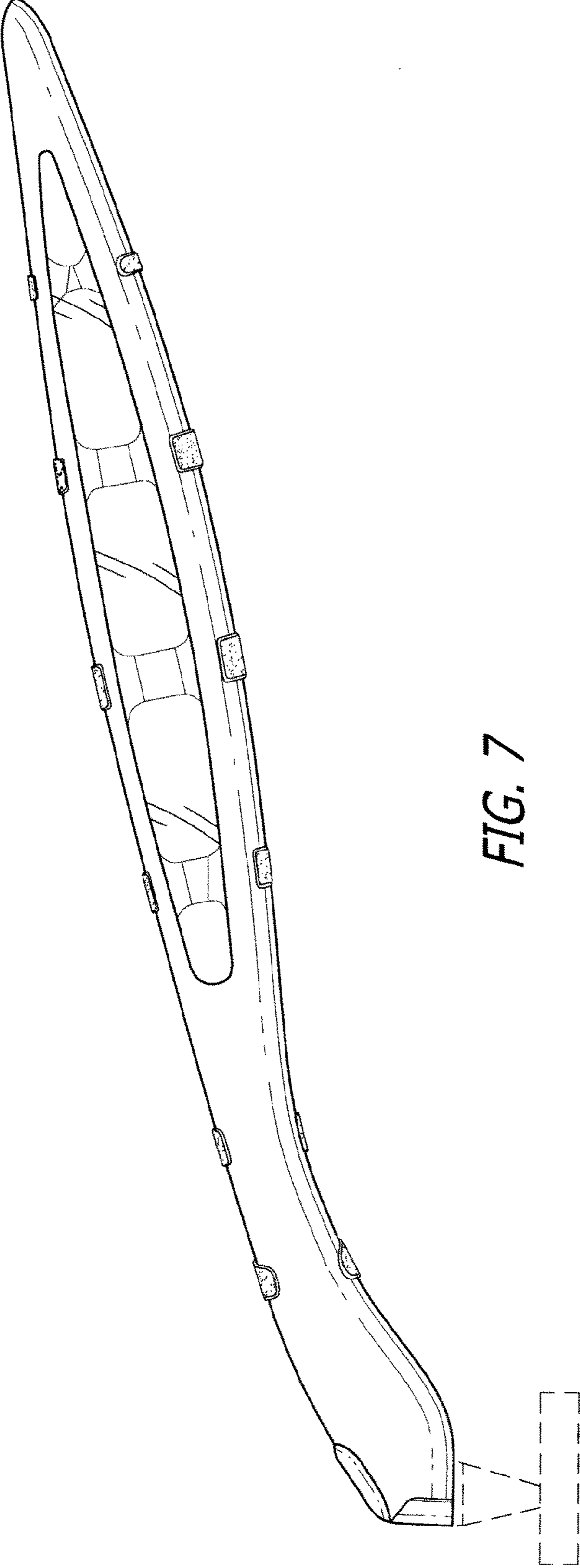


FIG. 7