



US00D654219S

(12) **United States Design Patent**
Wilhelm et al.

(10) **Patent No.:** **US D654,219 S**

(45) **Date of Patent:** **** Feb. 14, 2012**

(54) **HAIR ACCESSORY**

(76) Inventors: **Allison Turner Wilhelm**, Fort Mill, SC
(US); **Jennifer Lee Fowlkes Dressel**,
Fort Mill, SC (US)

(**) Term: **14 Years**

(21) Appl. No.: **29/402,938**

(22) Filed: **Sep. 29, 2011**

(51) **LOC (9) Cl.** **28-03**

(52) **U.S. Cl.** **D28/39**

(58) **Field of Classification Search** D28/21-34,
D28/39-43; 132/101, 126, 128-131, 144,
132/148, 219, 275-284; D8/396, 394, 383;
D11/1-5, 12, 18, 26, 27, 184; 63/3, 15, 15.4,
63/41

See application file for complete search history.

(56) **References Cited**

U.S. PATENT DOCUMENTS

994,068 A * 5/1911 Edgerly 132/279
D143,208 S * 12/1945 Halpern D28/42

D150,862 S * 9/1948 Jackson D28/42
D182,232 S * 3/1958 Halpern D28/42
D362,318 S * 9/1995 Corriher D28/43
D582,095 S * 12/2008 Minelli D28/42

* cited by examiner

Primary Examiner — Zenia Bennett

(74) *Attorney, Agent, or Firm* — Shumaker, Loop &
Kendrick, LLP

(57) **CLAIM**

The ornamental design for a hair accessory, as shown and
described.

DESCRIPTION

FIG. 1 is a top plan view of a hair accessory showing the new
design;

FIG. 2 is a bottom plan view thereof;

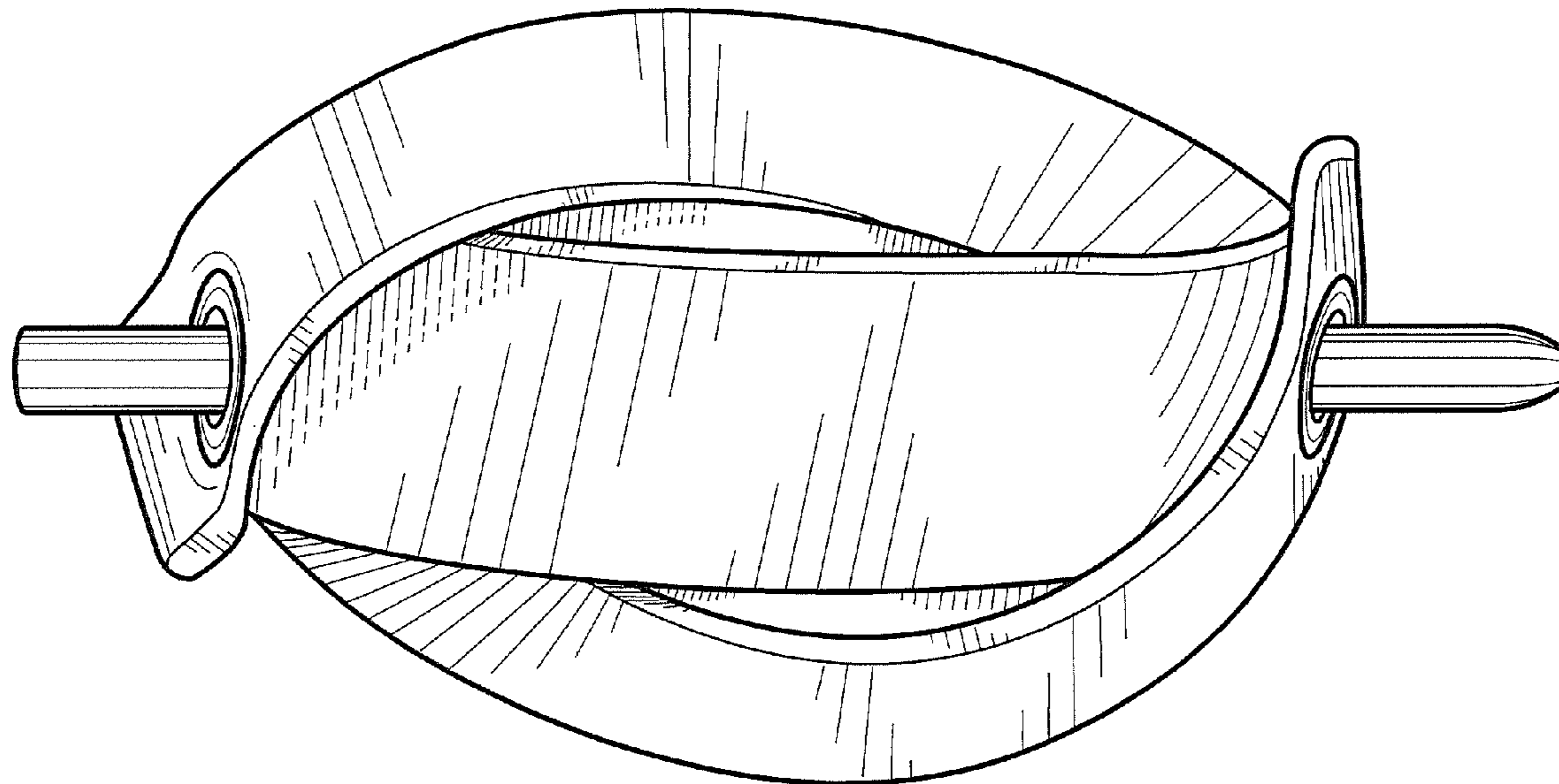
FIG. 3 is a right side elevation view thereof;

FIG. 4 is a left side elevation view thereof;

FIG. 5 is a rear elevation view thereof; and,

FIG. 6 is a front elevation view thereof.

1 Claim, 5 Drawing Sheets



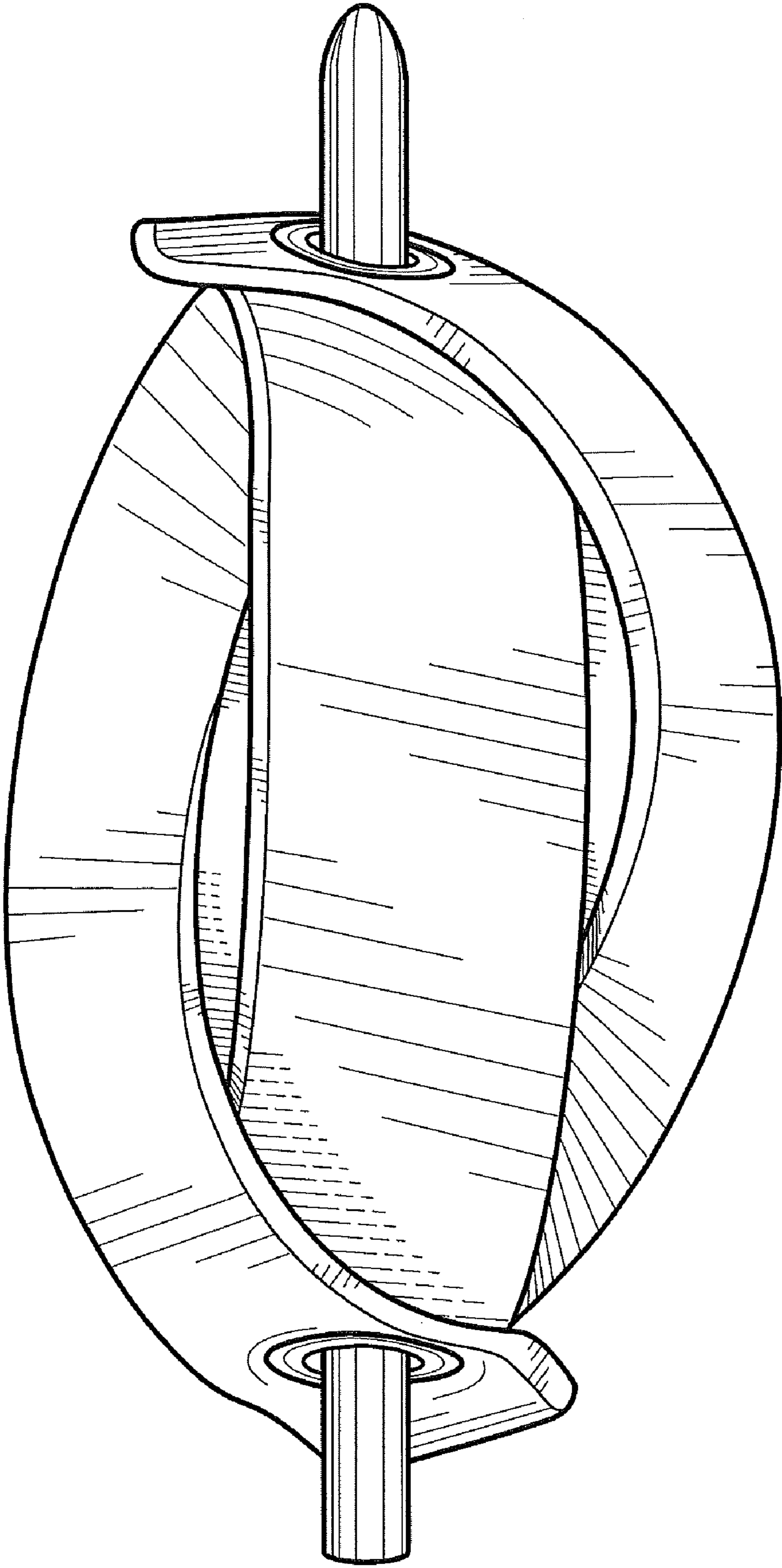


Fig. 1

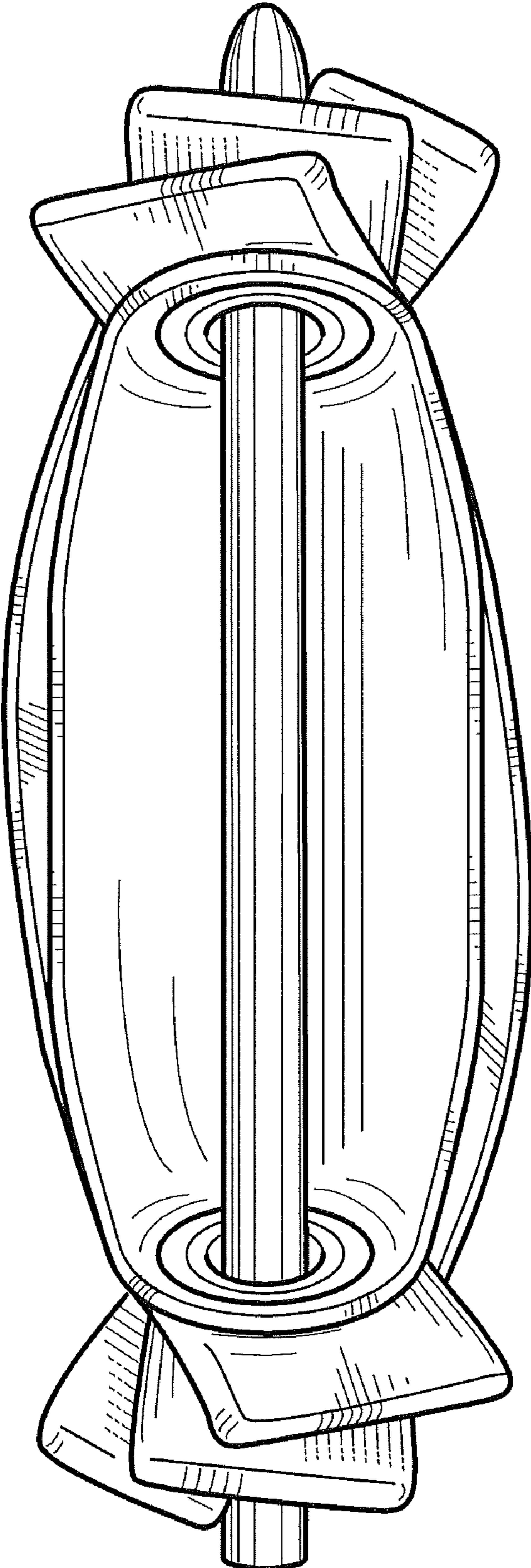


Fig. 2

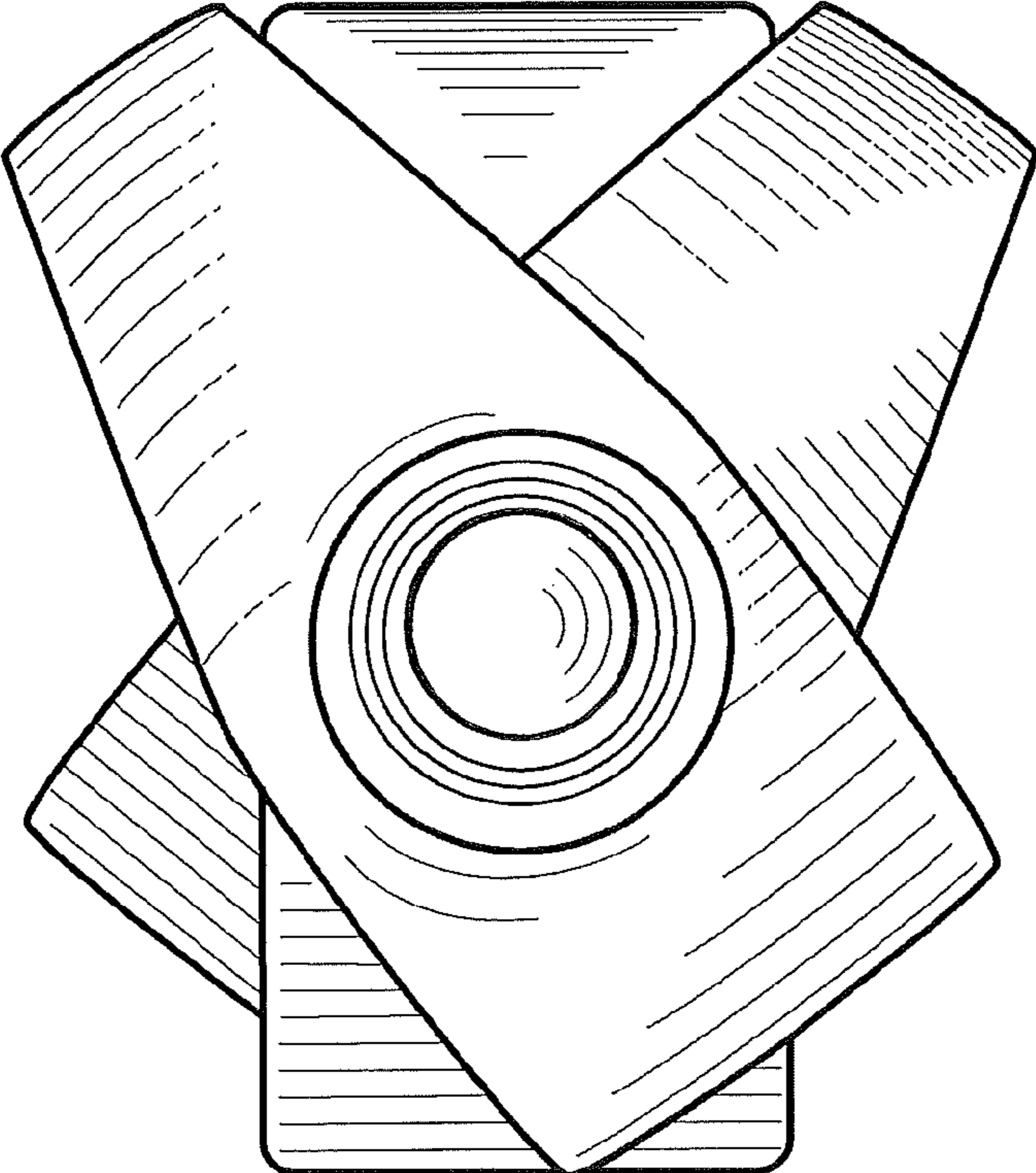


Fig. 3

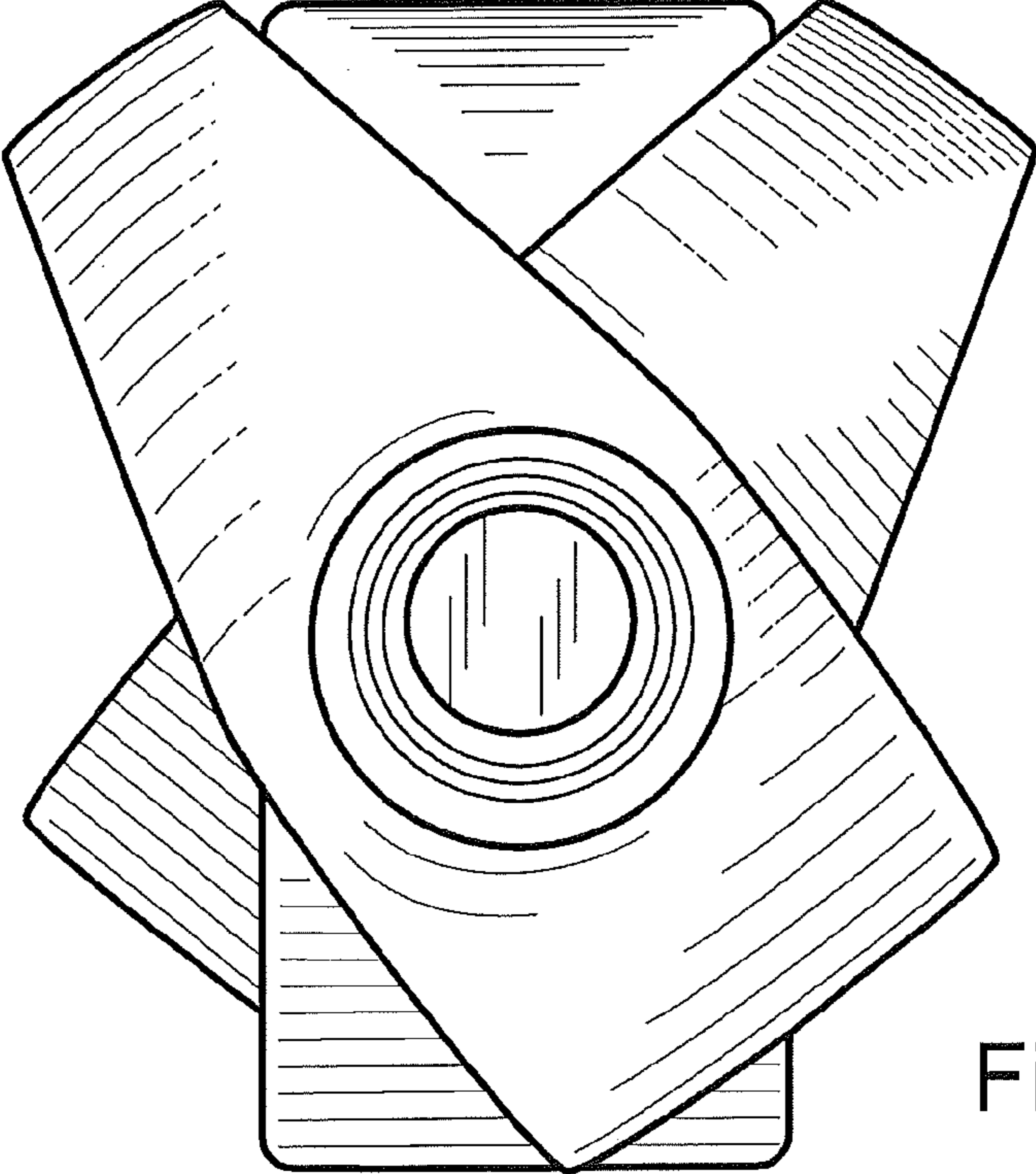


Fig. 4

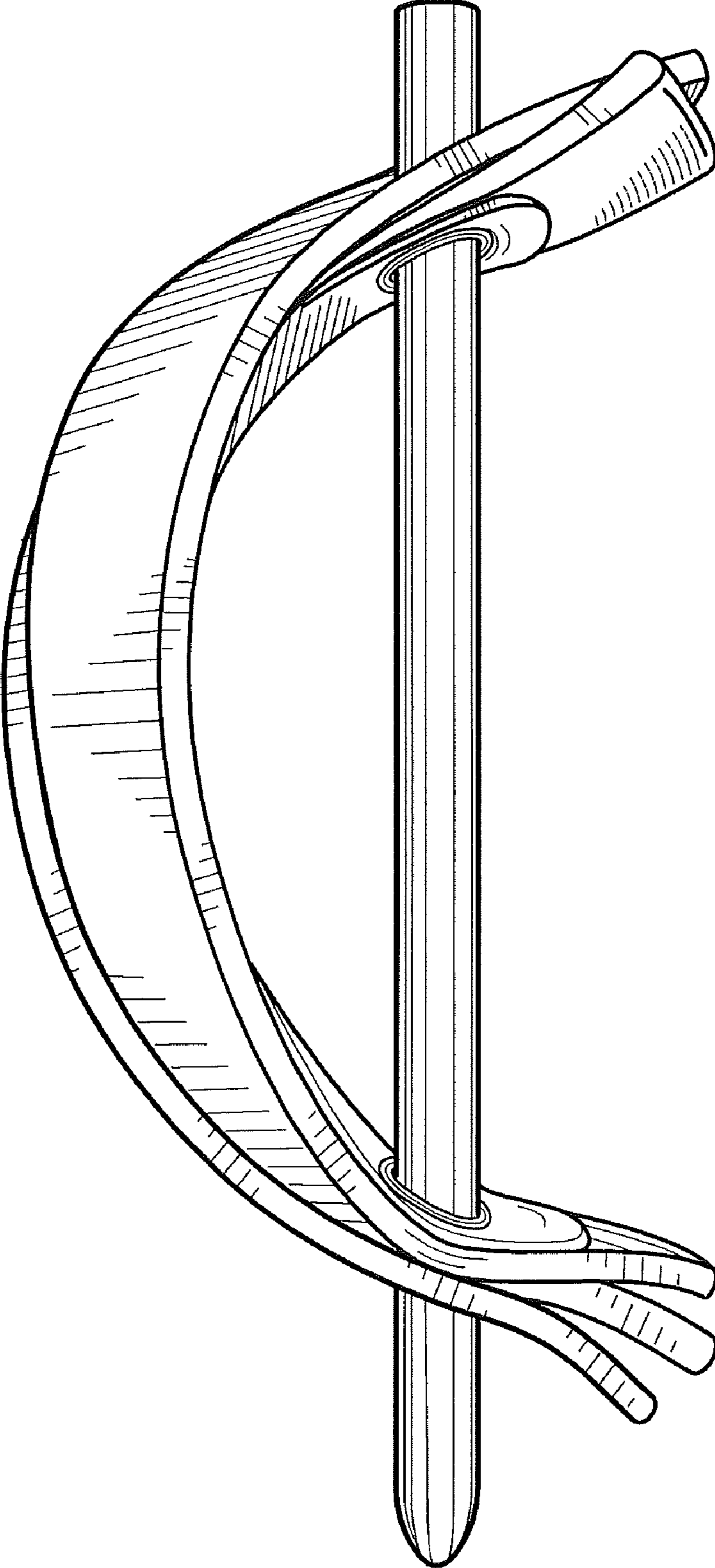


Fig. 5

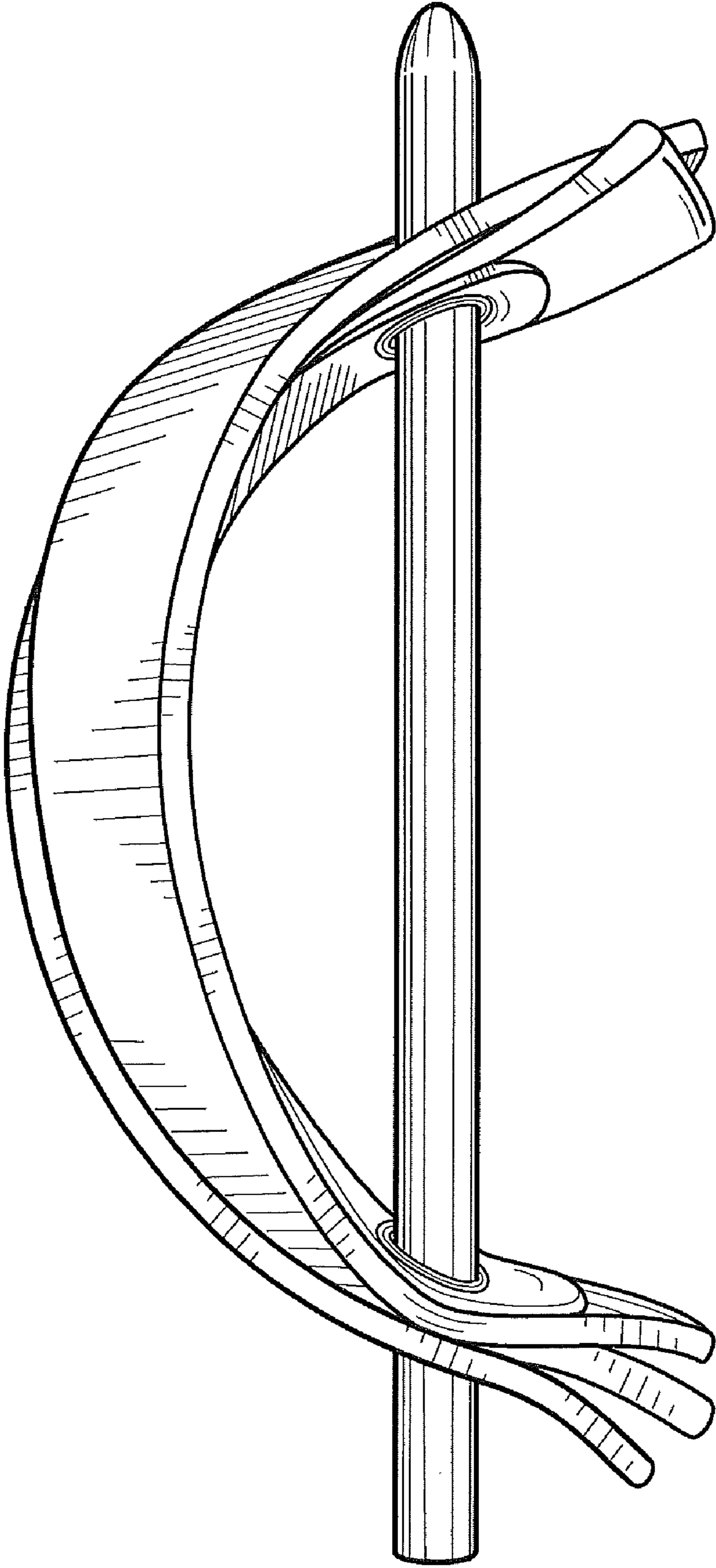


Fig. 6