



US00D654218S

(12) **United States Design Patent**
Julemont

(10) **Patent No.:** **US D654,218 S**

(45) **Date of Patent:** **** Feb. 14, 2012**

(54) **HAIR CURLING APPARATUS**

(75) Inventor: **Pierre Julemont**, Soumagne (BE)

(73) Assignee: **Babyliss Faco SA**, Wandre (BE)

(**) Term: **14 Years**

(21) Appl. No.: **29/368,543**

(22) Filed: **Aug. 25, 2010**

(30) **Foreign Application Priority Data**

Feb. 25, 2010 (EM) 001674359-0004

(51) **LOC (9) Cl.** **28-03**

(52) **U.S. Cl.** **D28/10**

(58) **Field of Classification Search** D4/100,
D4/114, 133, 134, 120; 30/28, 29; D24/143,
D24/153; 132/74.5, 223, 224, 226, 228,
132/232, 233, 132, 248, 222, 251, 249, 238,
132/262, 123, 118, 121, 122, 227, 229, 237,
132/266, 285, 200; D30/158; D28/35, 9,
D28/10, 11, 12, 13, 37, 38, 73, 75, 55, 60,
D28/61, 44, 57, 58, 59; 219/222, 242, 218,
219/521, 226, 225, 229; D8/52; D32/35;
D7/686; D6/567, 608, 583; D3/205; 206/349
See application file for complete search history.

(56) **References Cited**

U.S. PATENT DOCUMENTS

D480,836 S *	10/2003	Kaizuka	D28/35
D482,491 S *	11/2003	Maesawa et al.	D28/35
D485,011 S *	1/2004	Nam	D28/35
D504,541 S *	4/2005	Cho	D28/35
D535,437 S *	1/2007	Ceva	D28/35
D537,983 S *	3/2007	Shin	D28/35
D538,977 S *	3/2007	Shin	D28/35
D543,314 S *	5/2007	Morgandi	D28/35

D544,646 S *	6/2007	Overend	D28/35
7,243,661 B2 *	7/2007	Lun et al.	132/224
D567,440 S *	4/2008	Migliori et al.	D28/35
D569,549 S *	5/2008	Leung	D28/35
D575,453 S *	8/2008	Overend	D28/35
D586,040 S *	2/2009	Kim	D28/35
D596,791 S *	7/2009	Russo	D28/35
D596,794 S *	7/2009	Keong	D28/35
D596,800 S *	7/2009	Kwok	D28/35
D599,058 S *	8/2009	Kim	D28/35
D606,254 S *	12/2009	Leung	D28/35
D609,401 S *	2/2010	Yang	D28/35
2005/0081876 A1 *	4/2005	Choi	132/224
2006/0037625 A1 *	2/2006	Kayser et al.	132/224
2007/0209673 A1 *	9/2007	Choi	132/224
2007/0218746 A1 *	9/2007	Hur	439/369

* cited by examiner

Primary Examiner — Kevin Rudzinski

(74) *Attorney, Agent, or Firm* — Ladas & Parry LLP

(57) **CLAIM**

The ornamental design for hair curling apparatus, as shown and described.

DESCRIPTION

FIG. 1 is a perspective view from above to the left and to the front of the hair curling apparatus, which is the subject of my new design;

FIG. 2 is the same view with the hair curling apparatus in the open position;

FIG. 3 is a top plan view thereof;

FIG. 4 is a bottom plan view thereof;

FIG. 5 is a left side elevational view thereof;

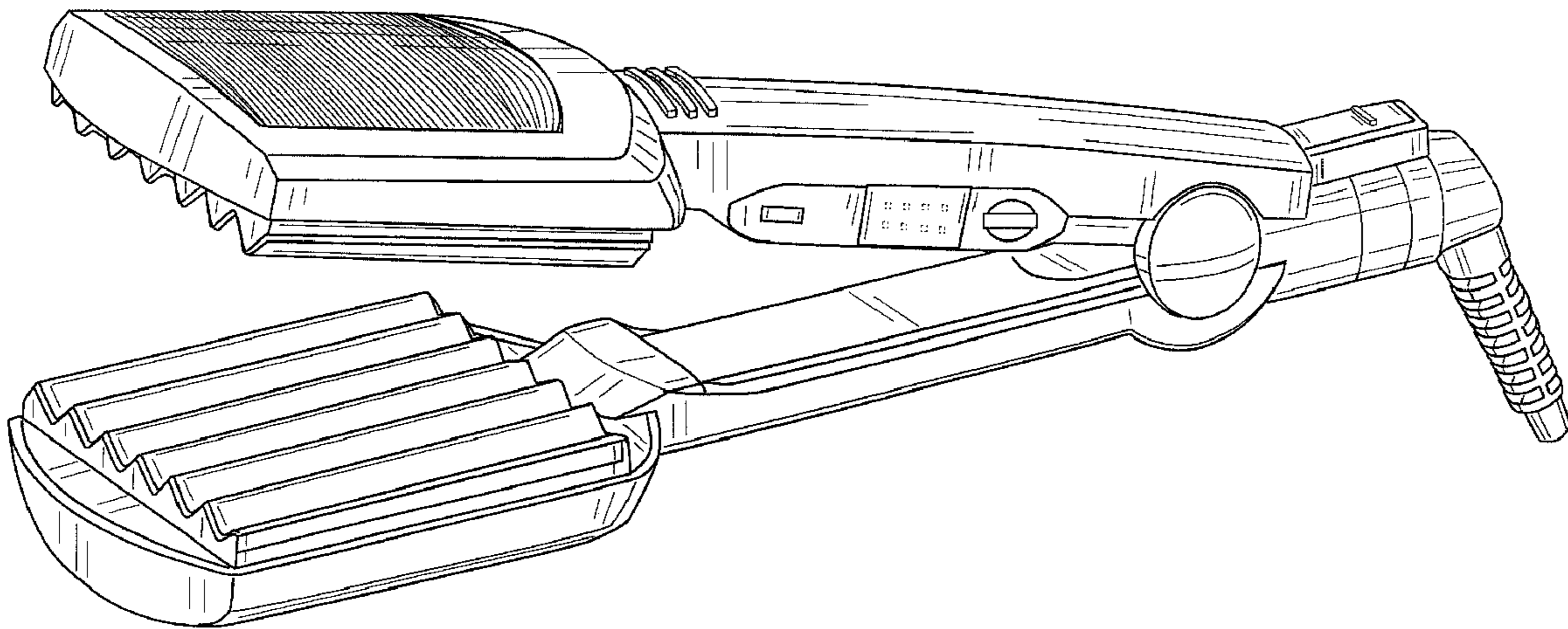
FIG. 6 is a right side elevational view thereof;

FIG. 7 is a front elevational view thereof; and,

FIG. 8 is a rear elevational view thereof.

The broken lines shown in the drawings of unclaimed portions of the design form no part of the claimed design.

1 Claim, 8 Drawing Sheets



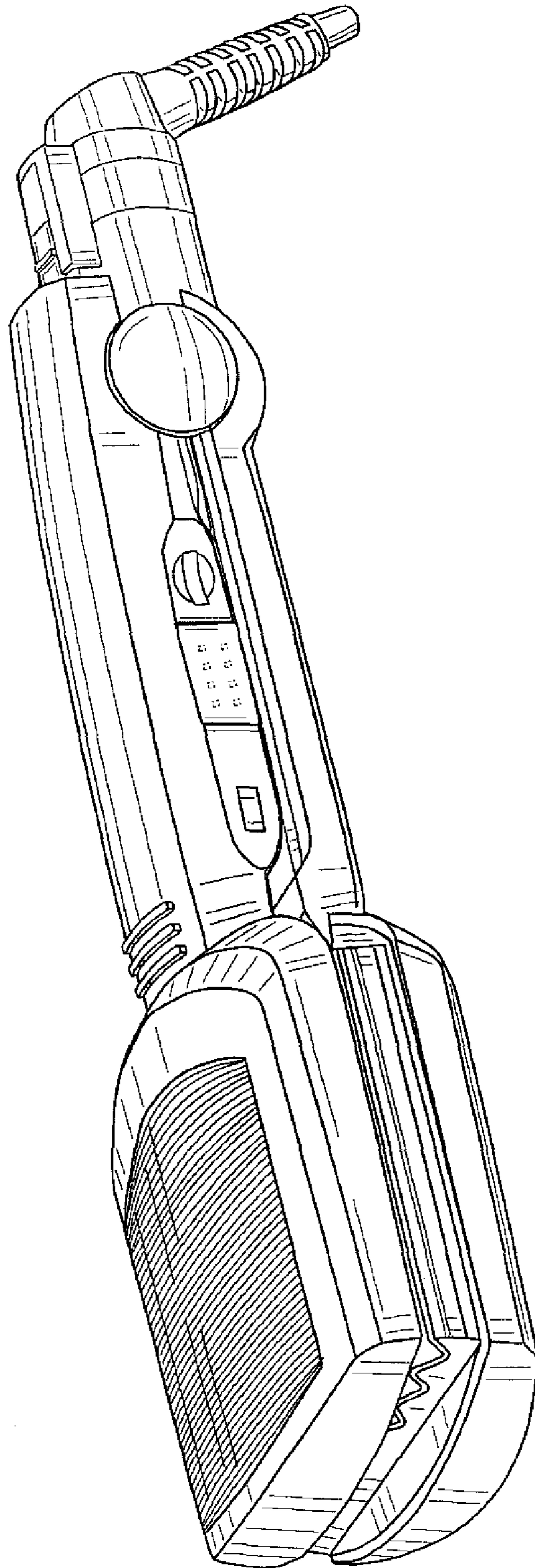


FIG. 1

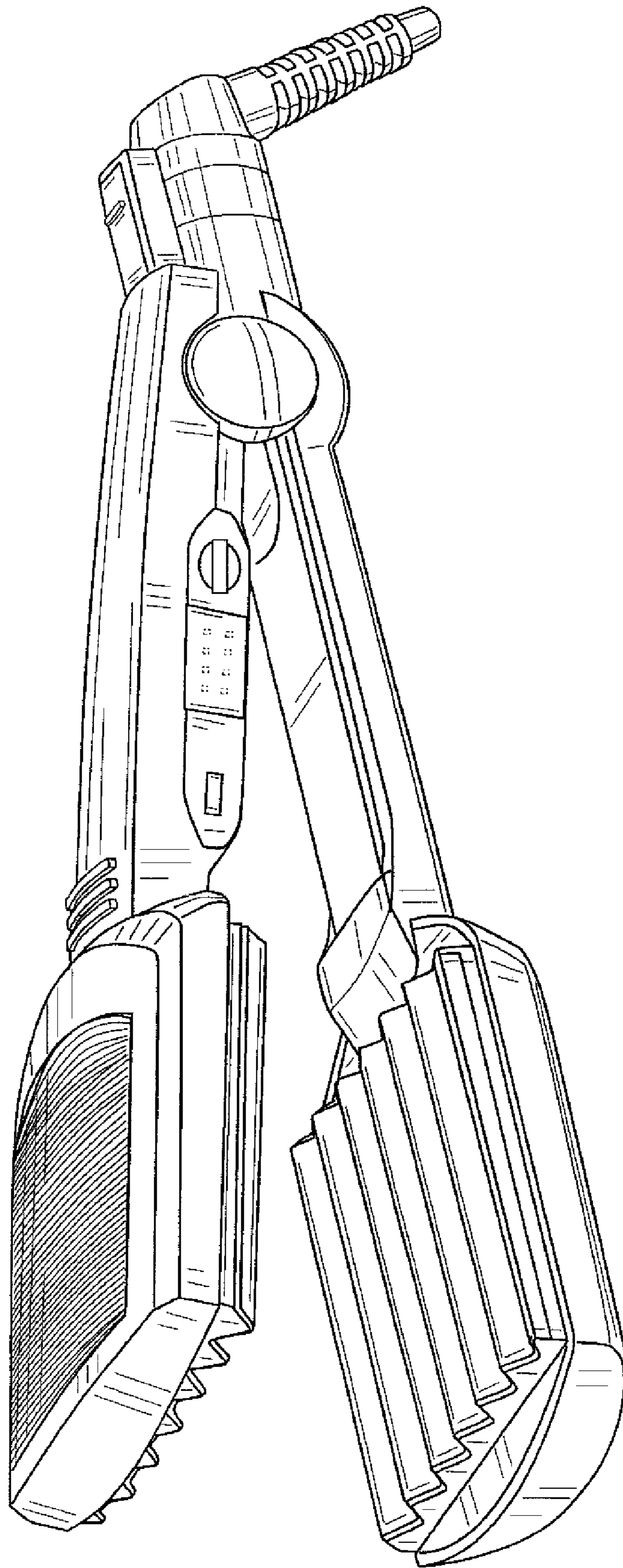


FIG. 2

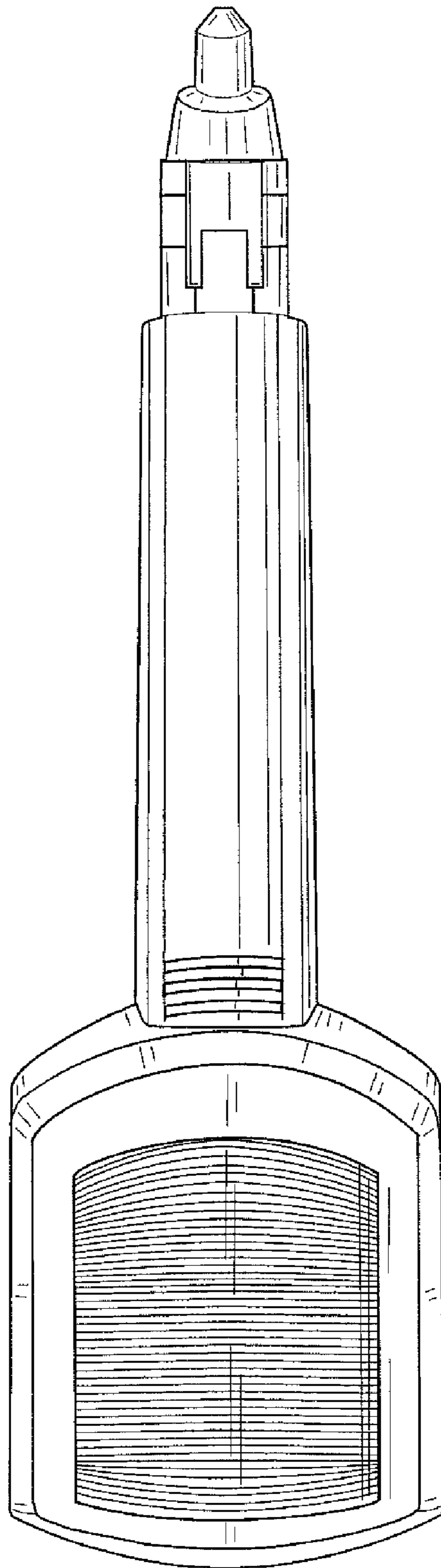


FIG. 3

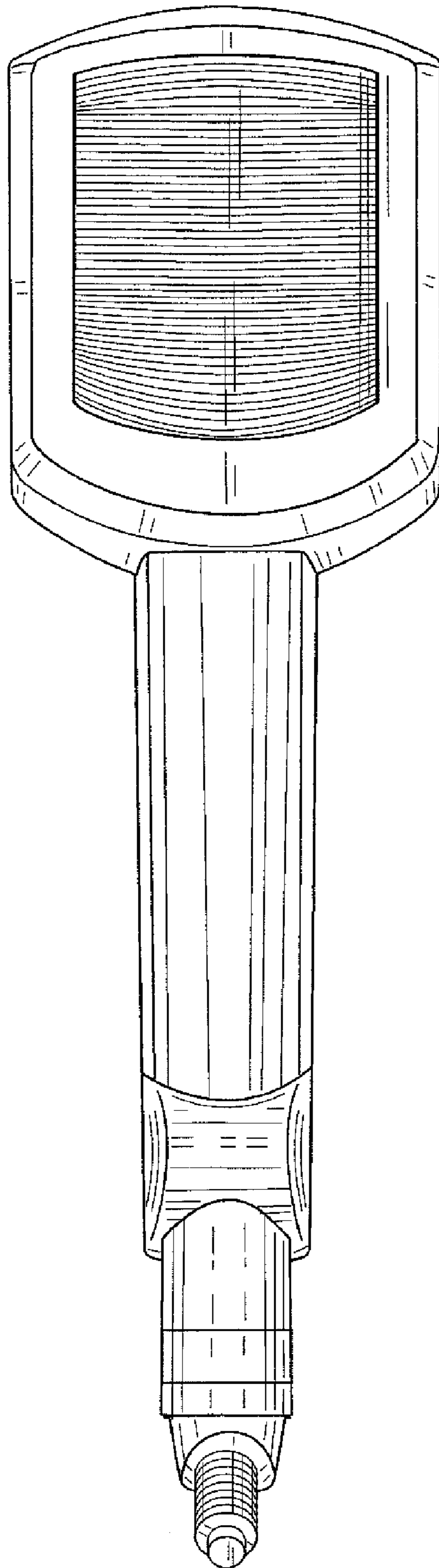


FIG. 4

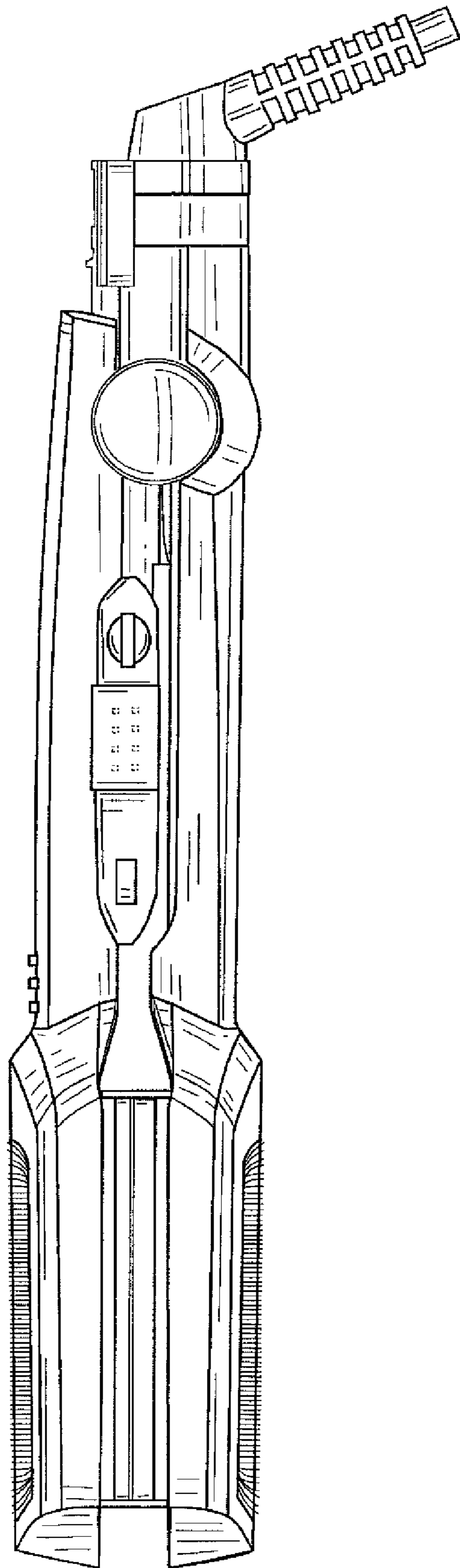


FIG. 5

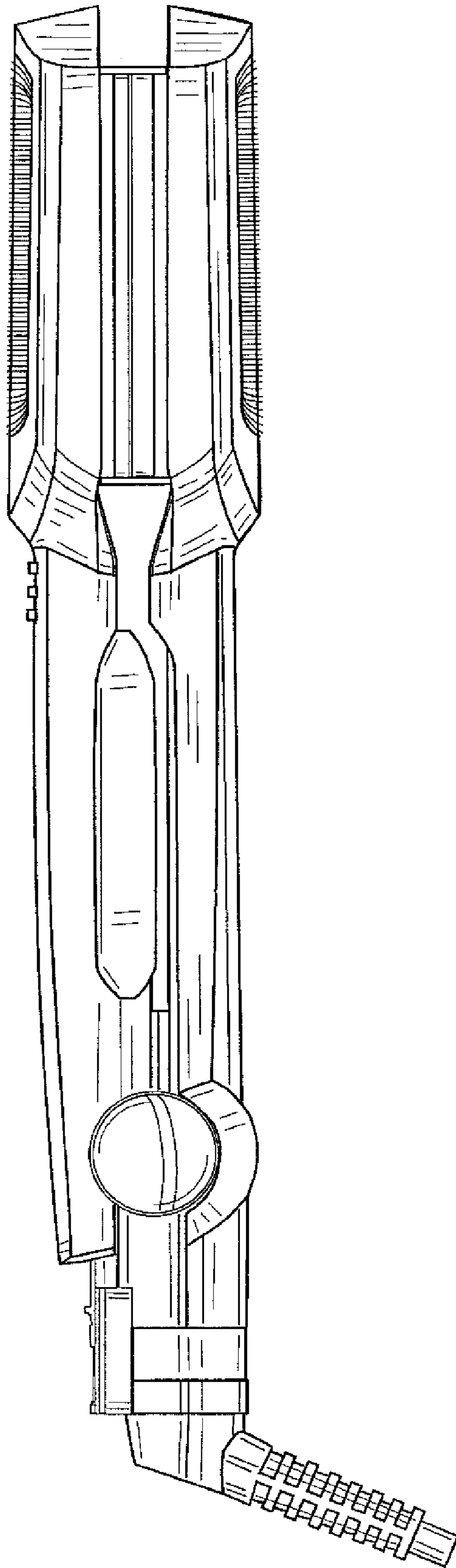


FIG. 6

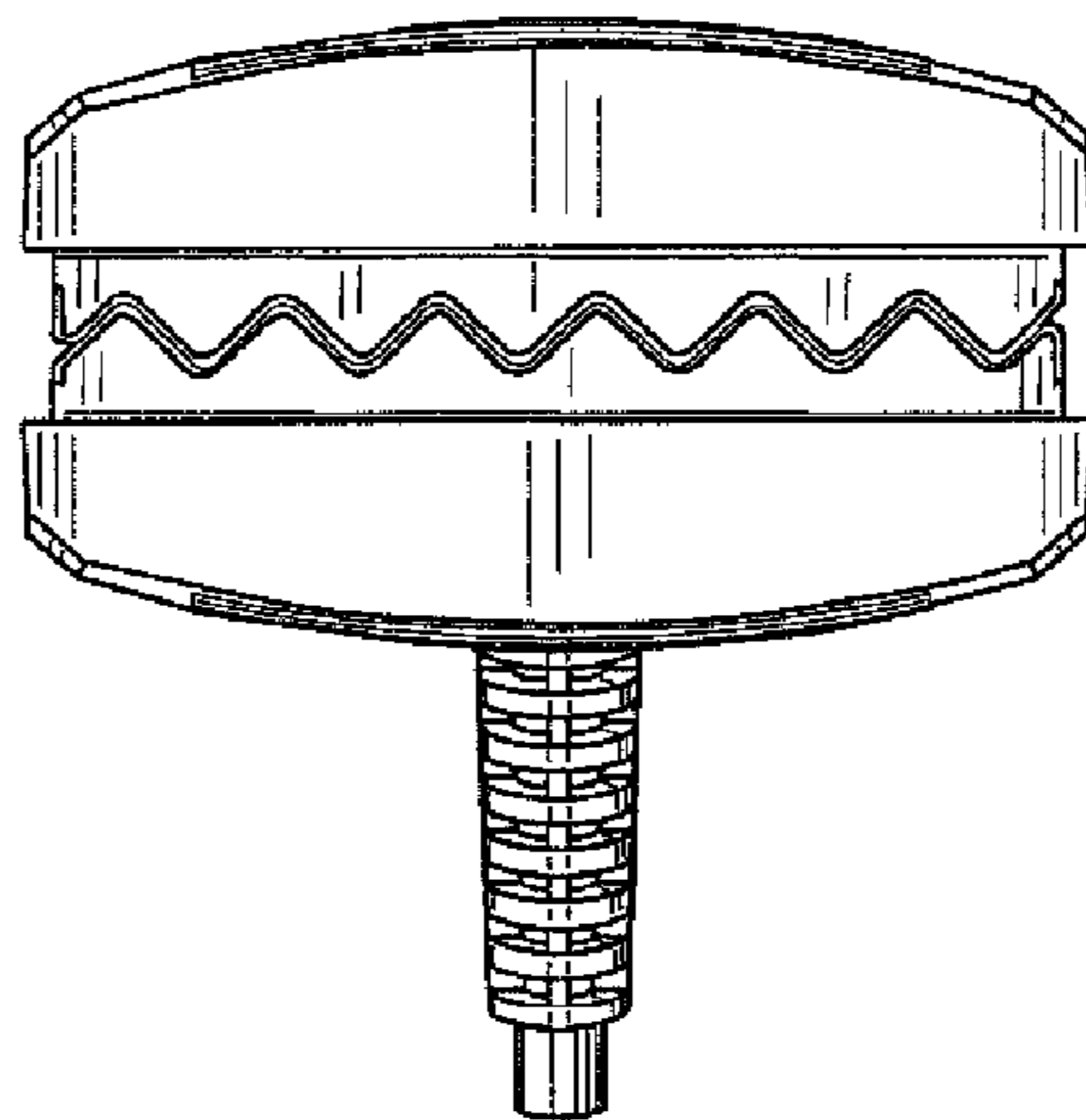


FIG. 7

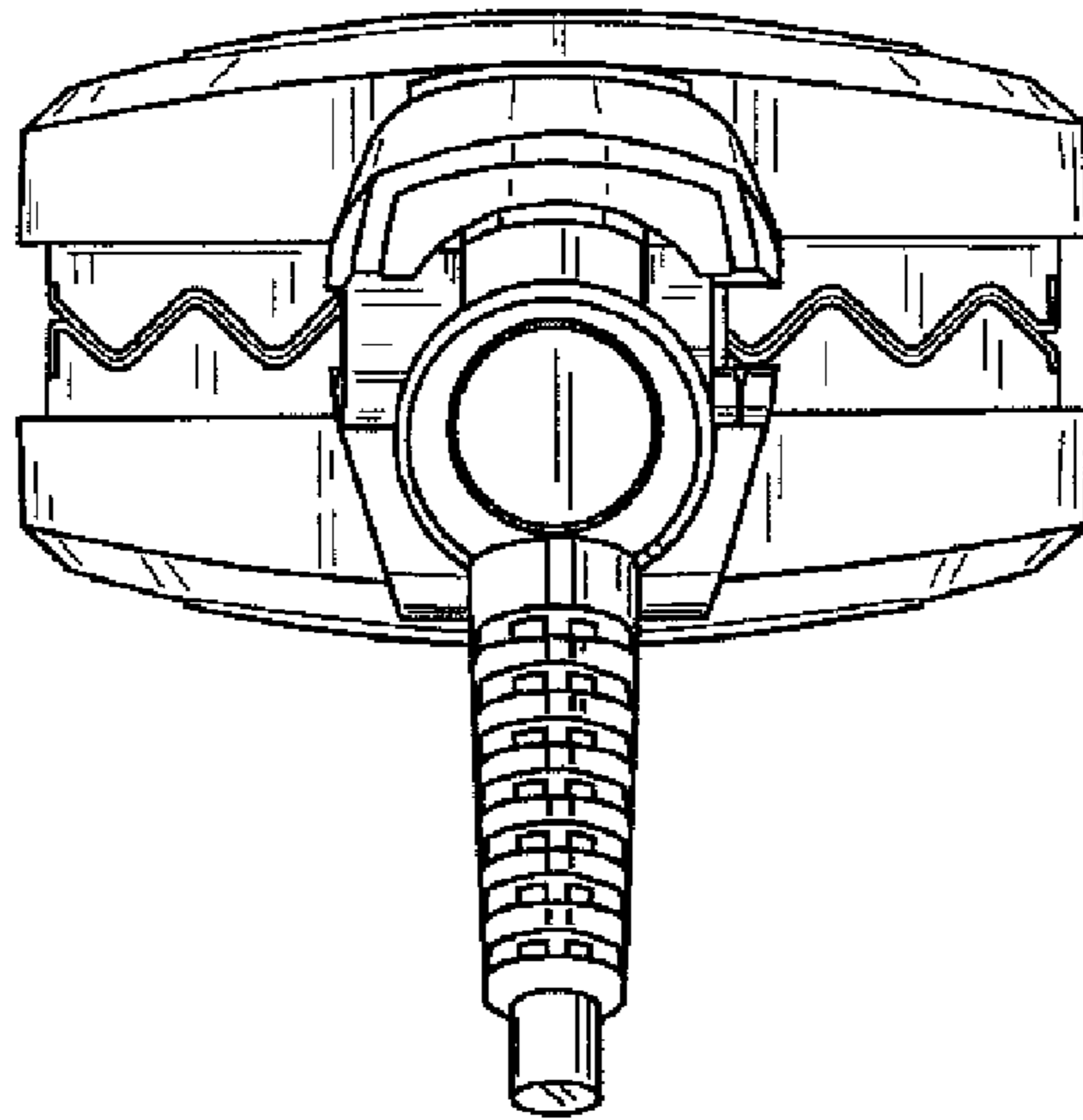


FIG. 8