



US00D654217S

(12) **United States Design Patent**
Brodish

(10) **Patent No.:** **US D654,217 S**

(45) **Date of Patent:** **** Feb. 14, 2012**

(54) **DUAL DISPENSER**

(76) Inventor: **Joey L. Brodish**, Merrick, NY (US)

(**) Term: **14 Years**

(21) Appl. No.: **29/397,102**

(22) Filed: **Jul. 12, 2011**

(51) **LOC (9) Cl.** **28-02**

(52) **U.S. Cl.** **D28/7**

(58) **Field of Classification Search** D28/7,
D28/8, 20–22, 30–31, 76, 85, 99; 132/108,
132/202, 208, 317, 320; 401/202–207, 261–267;
D4/132–135; D24/119

See application file for complete search history.

(56) **References Cited**

U.S. PATENT DOCUMENTS

D422,748	S	*	4/2000	Lang	D28/7
D429,845	S	*	8/2000	Lang	D28/7
D429,847	S	*	8/2000	Lang	D28/7
D491,810	S	*	6/2004	Kostow	D9/504
D491,811	S	*	6/2004	Kostow	D9/504
6,932,531	B2	*	8/2005	Marschand et al.	401/202
D517,243	S	*	3/2006	Martinez	D28/76

7,252,091	B1	*	8/2007	Wayne et al.	132/112
2004/0213627	A1	*	10/2004	Marschand et al.	401/202
2005/0147457	A1	*	7/2005	Badejo et al.	401/132

* cited by examiner

Primary Examiner — Zenia Bennett

(74) *Attorney, Agent, or Firm* — Edell, Shapiro & Finnan, LLC

(57) **CLAIM**

The ornamental design for a dual dispenser, as shown and described.

DESCRIPTION

FIG. 1 is a view in perspective showing my design with cover caps in place;

FIG. 2 is a rear view in elevation thereof;

FIG. 3 is a left side view in elevation thereof;

FIG. 4 is a right side view in elevation thereof;

FIG. 5 is front view in elevation thereof;

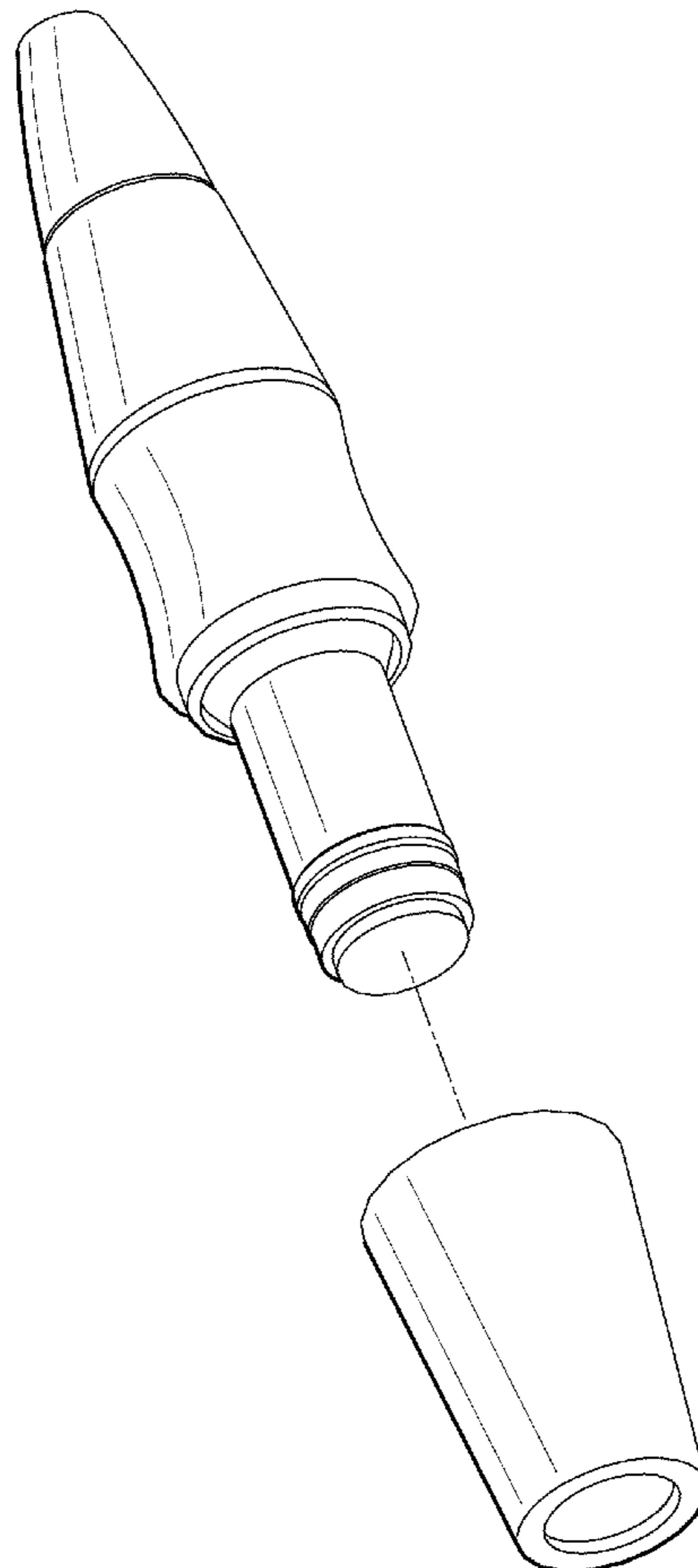
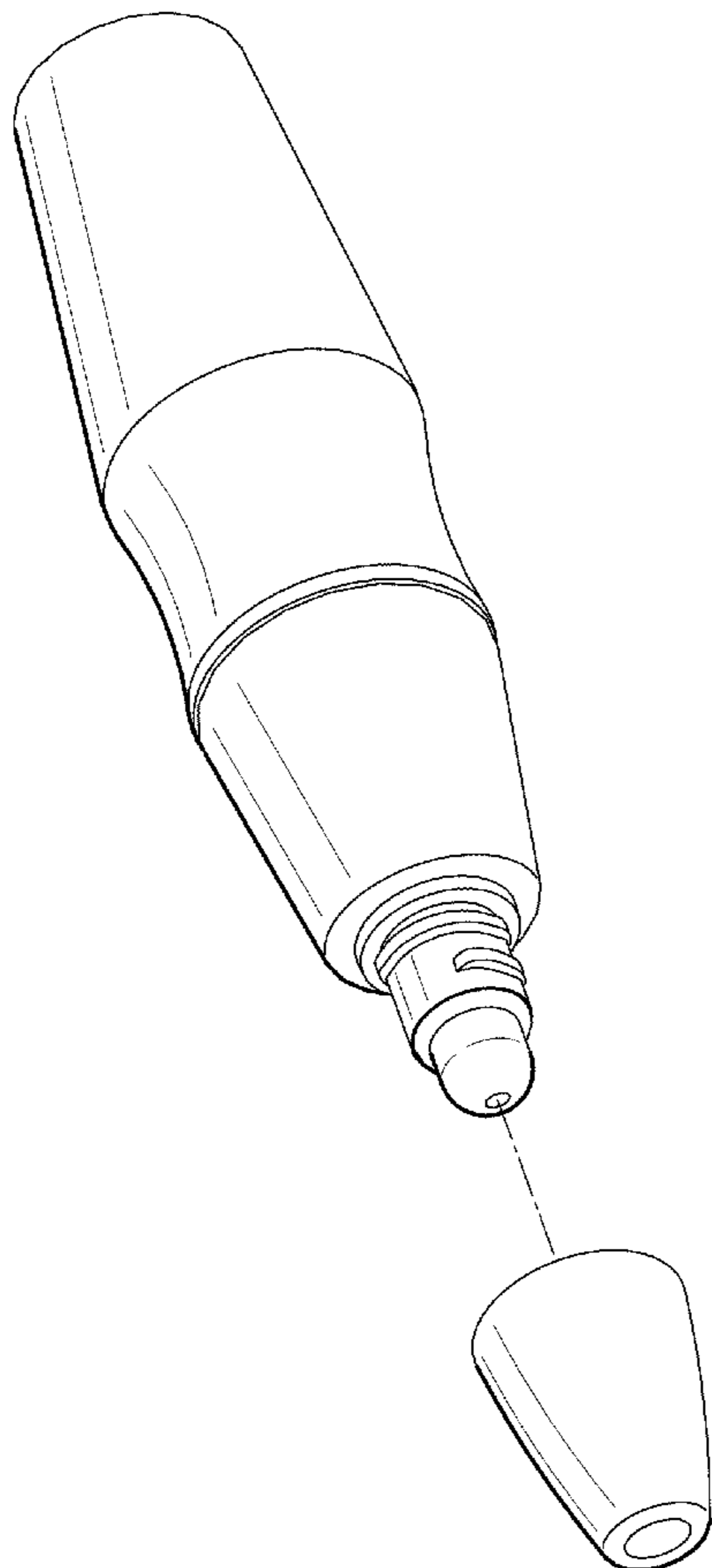
FIG. 6 is a top view in plan thereof;

FIG. 7 is a bottom view in plan thereof;

FIG. 8 is an exploded view in perspective thereof showing one cover cap removed; and,

FIG. 9 is an exploded view in perspective thereof showing the other cover cap removed.

1 Claim, 6 Drawing Sheets



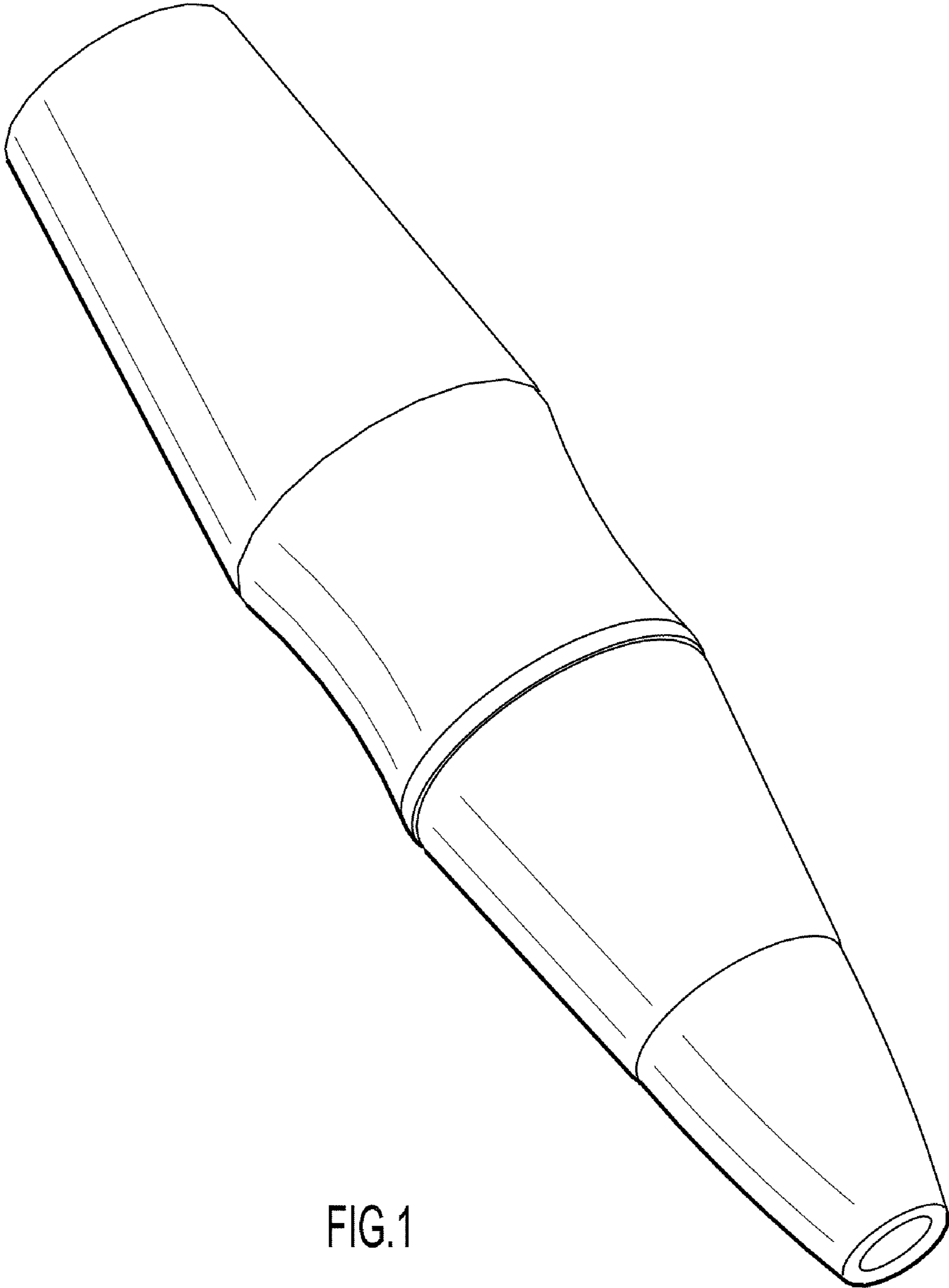


FIG. 1

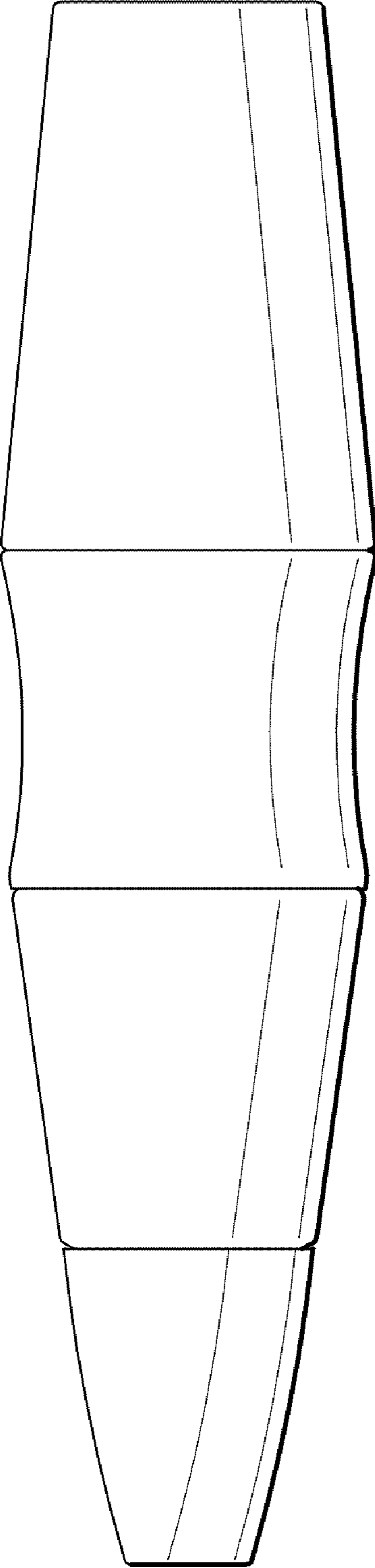


FIG. 2

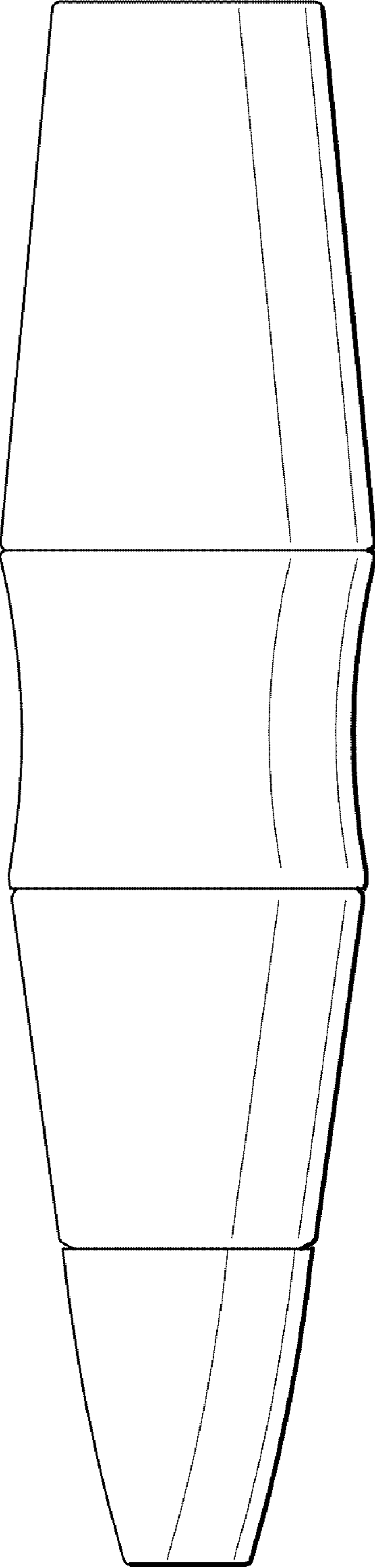


FIG. 3

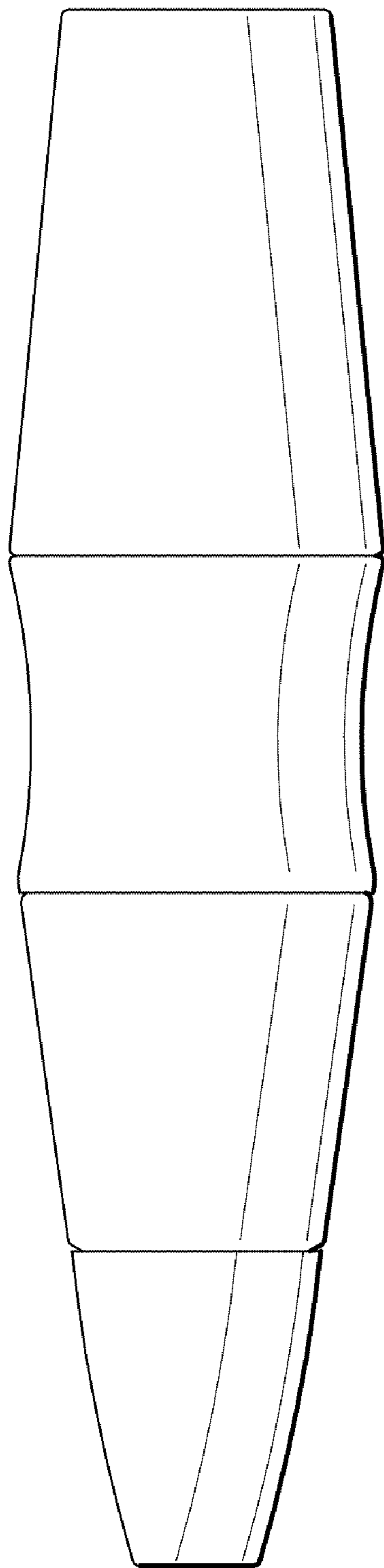


FIG.4

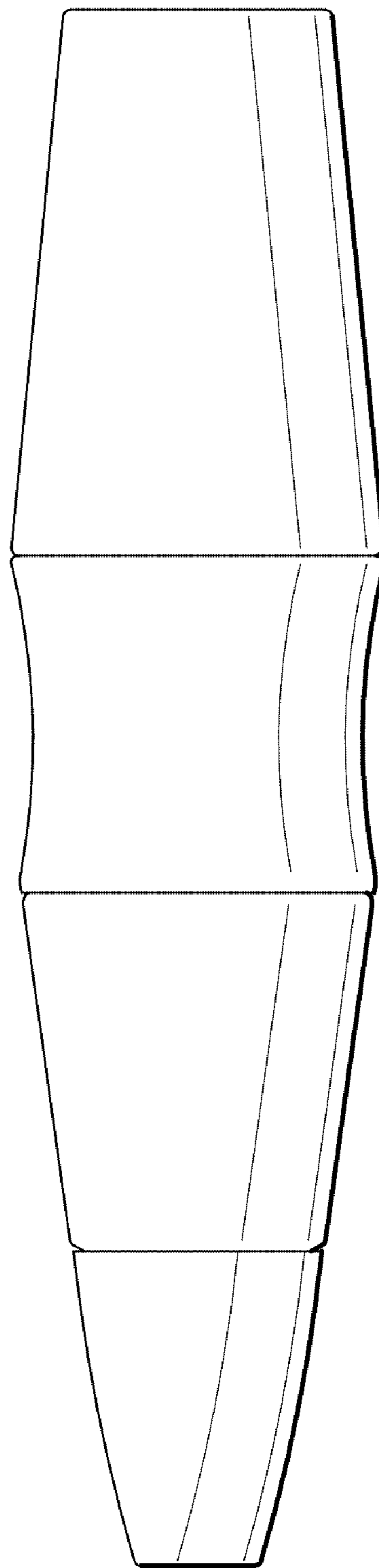


FIG.5

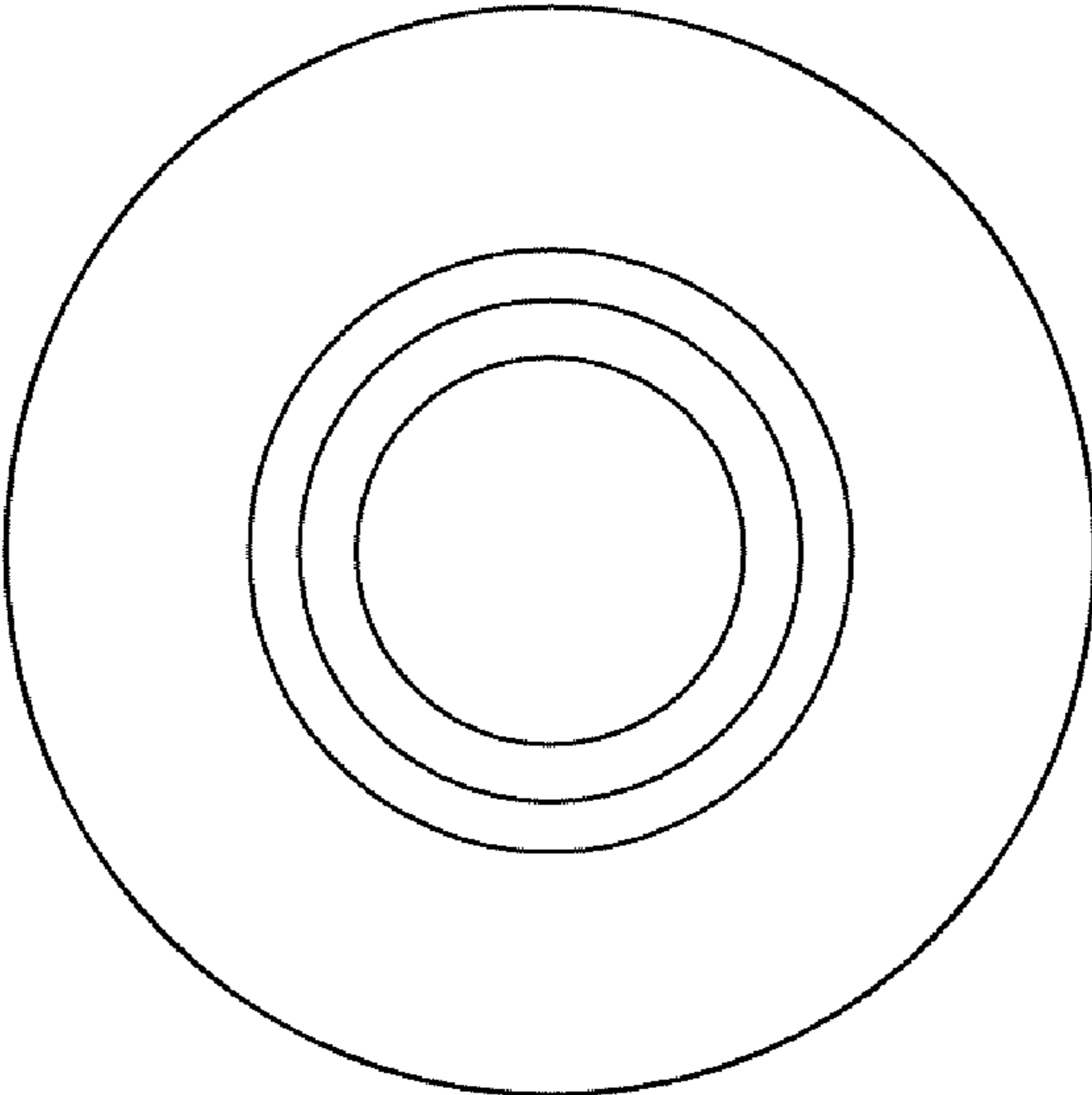


FIG.6

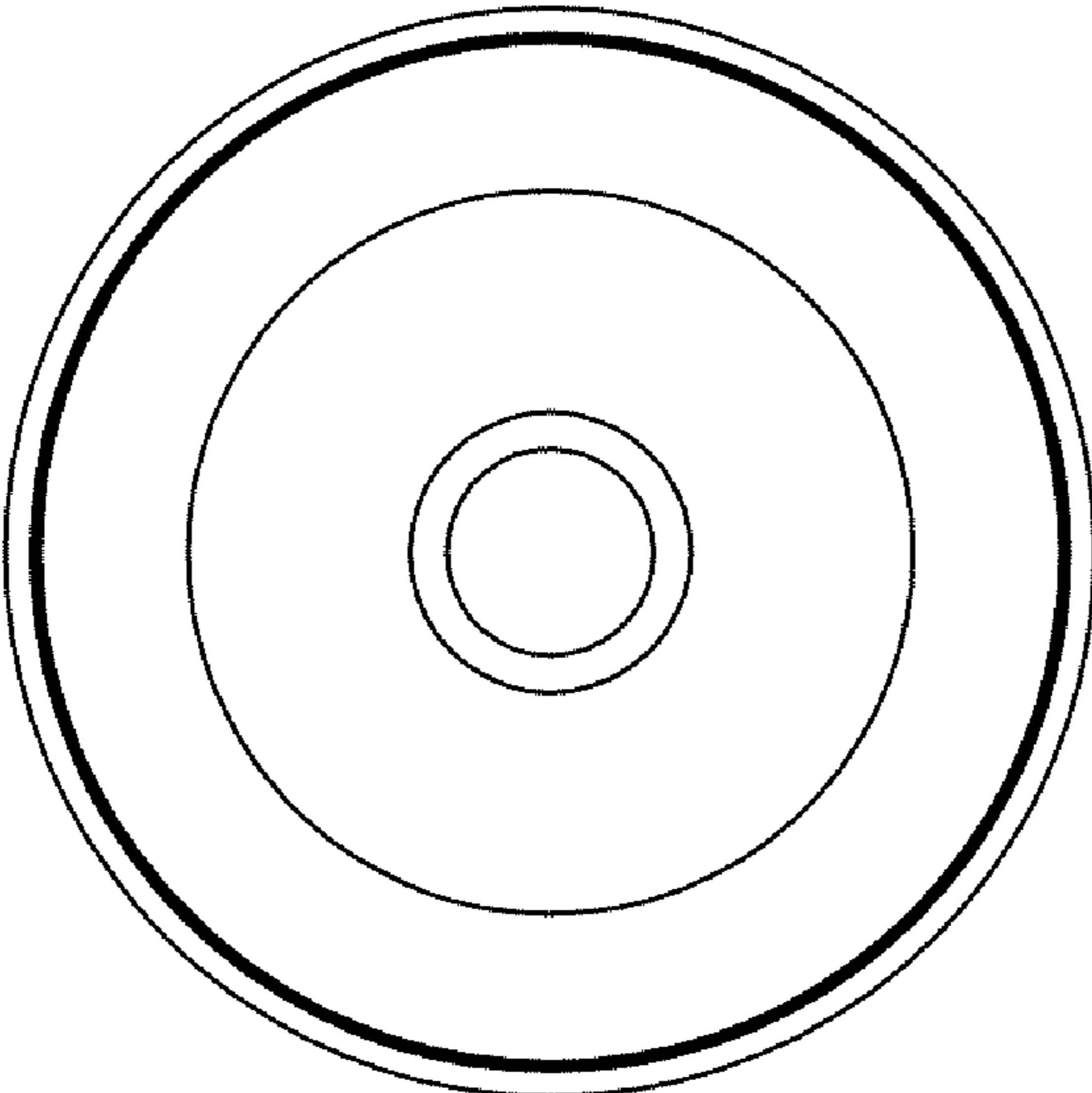


FIG.7

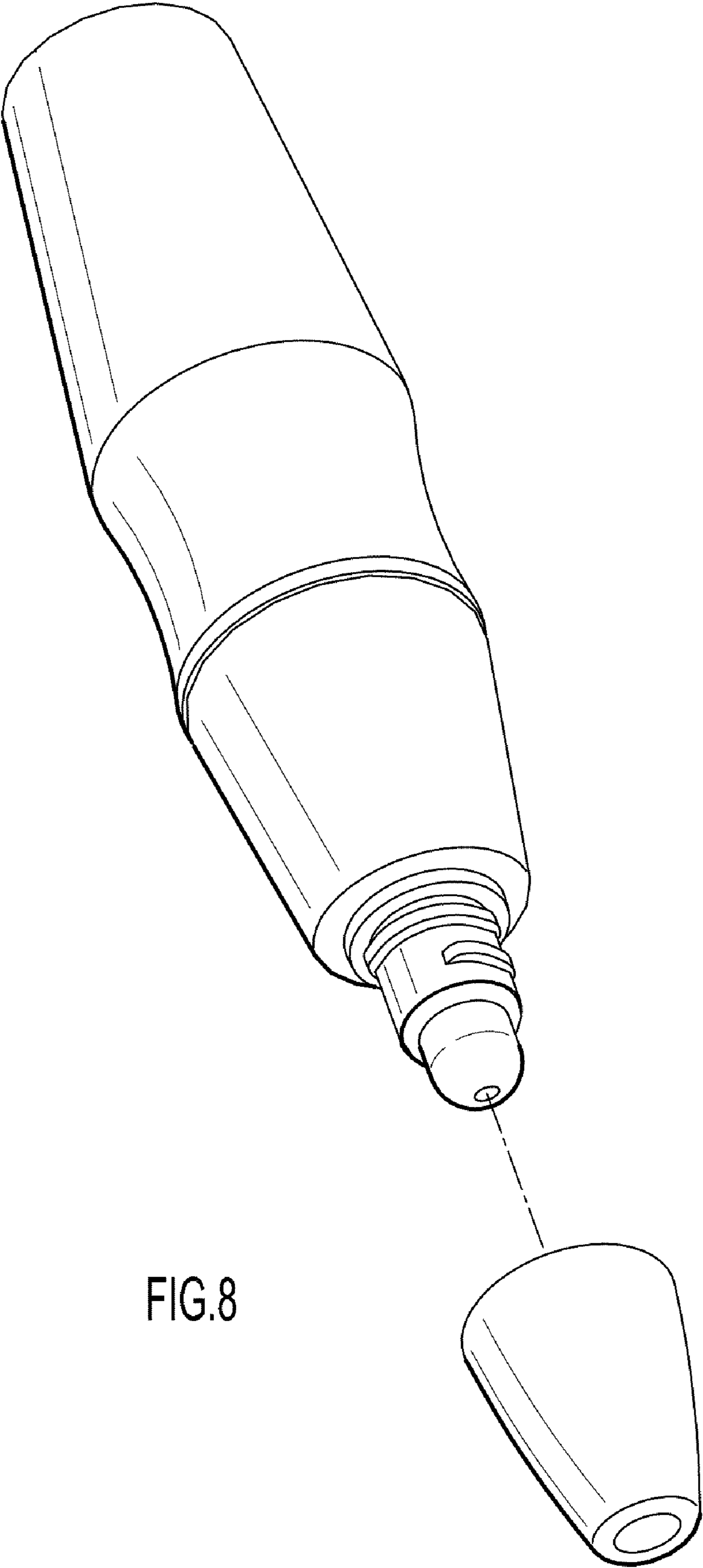


FIG.8

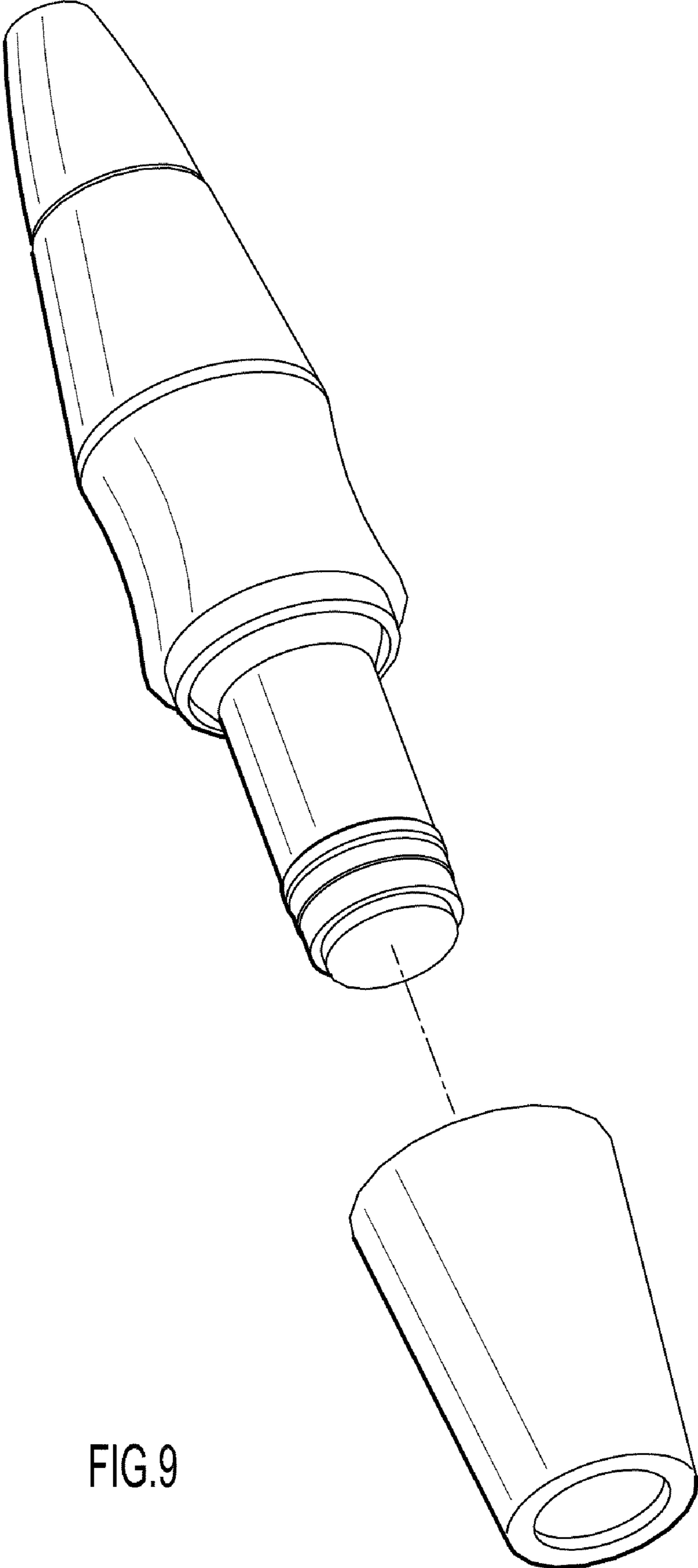


FIG.9