



US00D654216S

(12) **United States Design Patent**
Best et al.

(10) **Patent No.:** **US D654,216 S**
(45) **Date of Patent:** **** Feb. 14, 2012**

(54) **DOUBLE-ENDED APPLICATOR**

(75) Inventors: **Jim Joseph Best**, Hewitt, NJ (US);
Marco Carroll Perry, Brooklyn, NY (US); **Mark David Prommel**, Brooklyn, NY (US); **Kevin Min O’Leary**, Brooklyn, NY (US); **William Lauchlin Gullede, Jr.**, Leawood, KS (US); **William Daniel Richardson**, Greenwood, MO (US); **Chad Edward Brott**, Greenwood, MO (US); **B. Deré Newman**, Lone Jack, MO (US); **Melodie Lea Wendleton**, Lee’s Summit, MO (US); **Benjamin A. Shobert**, Indianapolis, IN (US); **Richard S. Dale**, Honeoye Falls, NY (US); **Todd Brunner**, Brooklyn, NY (US)

(73) Assignee: **Specialty Products of Greenwood, Missouri, Inc.**, Greenwood, MO (US)

(**) Term: **14 Years**

(21) Appl. No.: **29/359,627**

(22) Filed: **Apr. 13, 2010**

(51) **LOC (9) Cl.** **28-02**

(52) **U.S. Cl.** **D28/7**

(58) **Field of Classification Search** D28/7,
D28/8, 20–22, 30–31, 76, 85, 99; 132/108,
132/202, 208, 317, 320; 401/202–207, 261–267;
D4/132–135; D24/119; 15/104.94, 209.1,
15/210.1; 601/138; D8/21, 70, 300–320;
D7/361, 688, 691, 395

See application file for complete search history.

(56) **References Cited**

U.S. PATENT DOCUMENTS

| | | | | | | |
|----------|---|---|---------|-----------|-------|--------|
| D272,661 | S | * | 2/1984 | Cutler | | D28/7 |
| D278,201 | S | * | 4/1985 | Koepke | | D8/17 |
| D298,721 | S | * | 11/1988 | Rea, Sr. | | D7/644 |
| D300,000 | S | * | 2/1989 | Reinhardt | | D8/17 |

(Continued)

Primary Examiner — Zenia Bennett

(74) *Attorney, Agent, or Firm* — Hovey Williams LLP

(57) **CLAIM**

The ornamental design for a double-ended applicator, as shown and described.

DESCRIPTION

FIG. 1 is a perspective view of a double-ended applicator embodying our design, with the pad-supporting ends and the center recessed section being shown in broken lines for illustrative purposes only and forming no part of the claimed design;

FIG. 2 is a side elevation view of the double-ended applicator depicted in FIG. 1, with the opposite side elevation view being a mirror image thereof;

FIG. 3 is a top elevation view of the double-ended applicator depicted in FIGS. 1 and 2, with the bottom elevation view being a mirror image thereof;

FIG. 4 is an end elevation view of the smaller end of the double-ended applicator shown in FIGS. 1-3;

FIG. 5 is an end elevation view of the double-ended applicator opposite that shown in FIG. 4;

FIG. 6 is a perspective view of the double-ended applicator similar to FIG. 1, but depicting material application pads on the ends of the applicator, with the pads being shown in broken lines for environmental purposes only and forming no part of the claimed design;

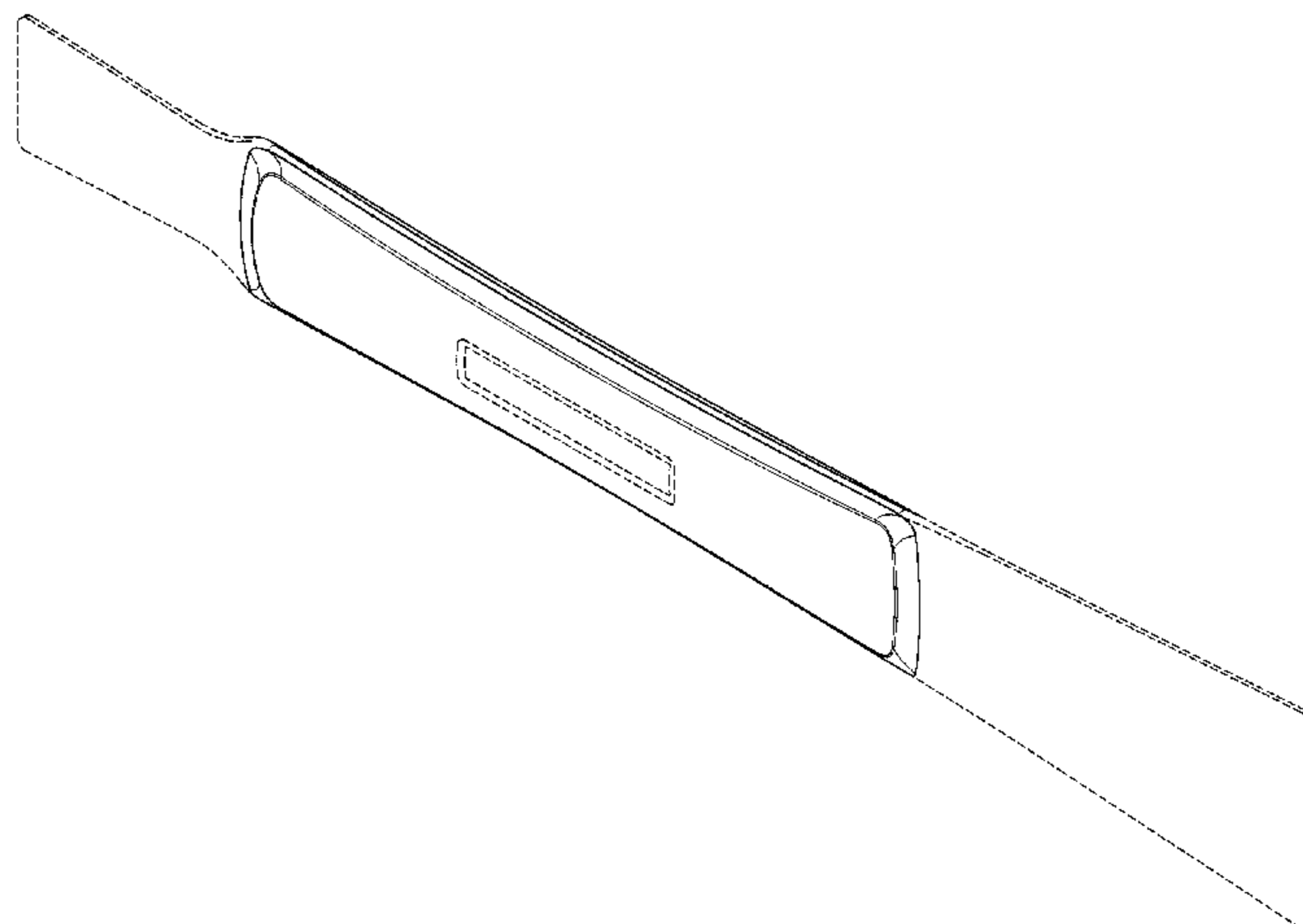
FIG. 7 is a top elevation view of the double-ended applicator as shown in FIG. 6, with the bottom elevation view being a mirror image thereof;

FIG. 8 is a side elevation view of the double-ended applicator as shown in FIGS. 6 and 7, with the opposite side elevation view being a mirror image thereof;

FIG. 9 is an end elevation view of the smaller end of the double-ended applicator as shown in FIGS. 6-8; and,

FIG. 10 is an end elevation view of the double-ended applicator opposite that shown in FIG. 9.

1 Claim, 4 Drawing Sheets



US D654,216 S

Page 2

U.S. PATENT DOCUMENTS

| | | | | | | | | | |
|--------------|--------|----------|-------|--------|--------------|--------|----------------|-------|--------|
| D307,331 S * | 4/1990 | Pflieder | | D28/7 | D521,244 S * | 5/2006 | Germany | | D4/119 |
| D496,231 S * | 9/2004 | Germany | | D7/688 | D601,299 S * | 9/2009 | Germany et al. | | D28/7 |

* cited by examiner

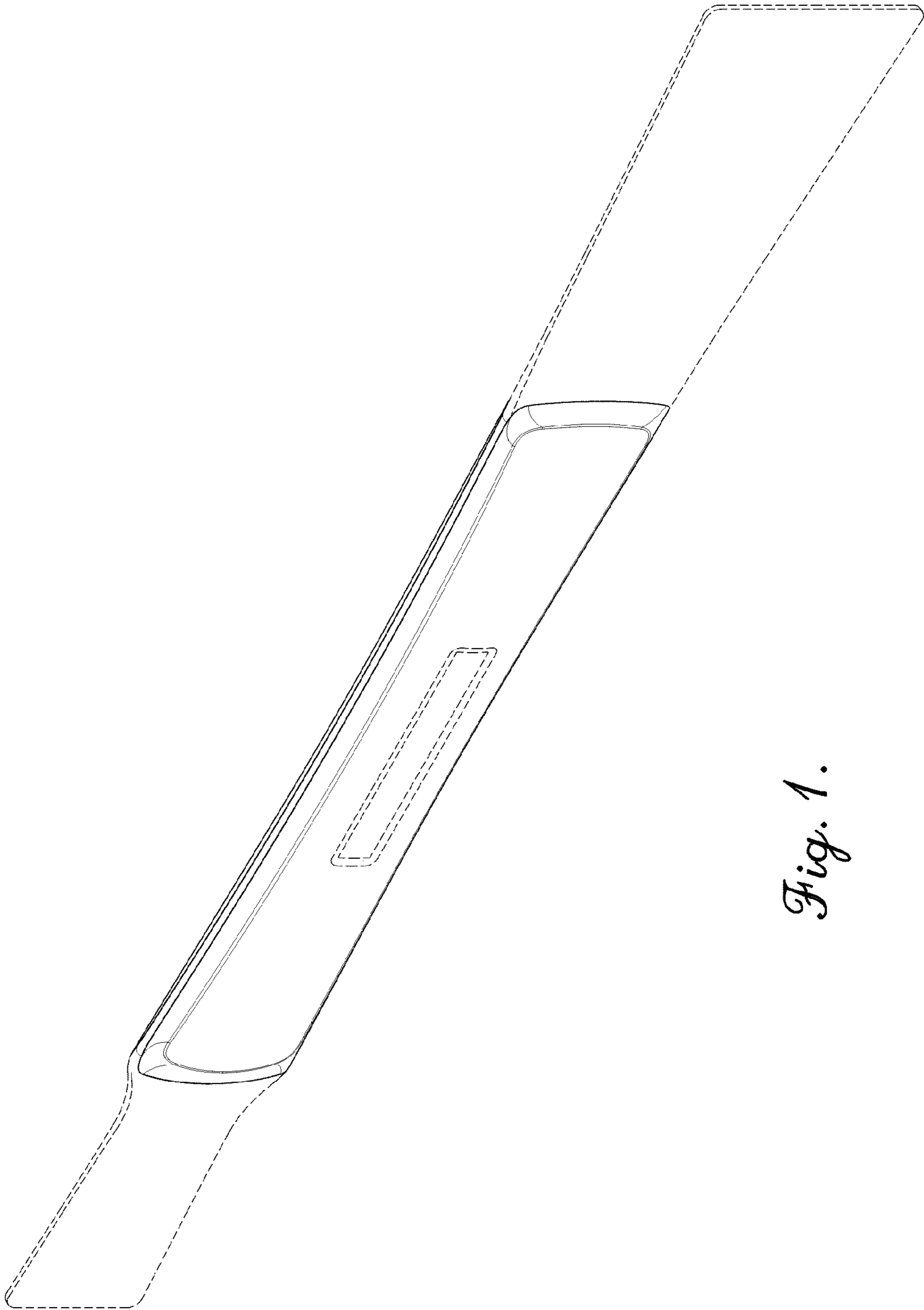


Fig. 1.

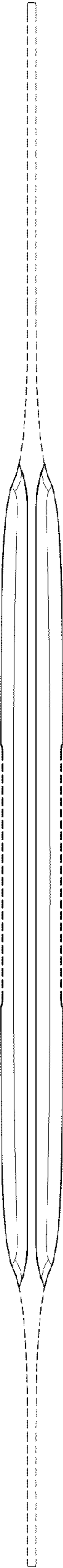


Fig. 2.

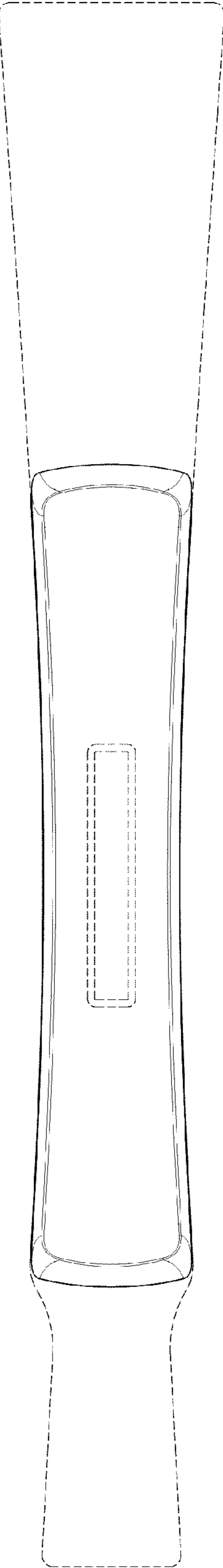


Fig. 3.

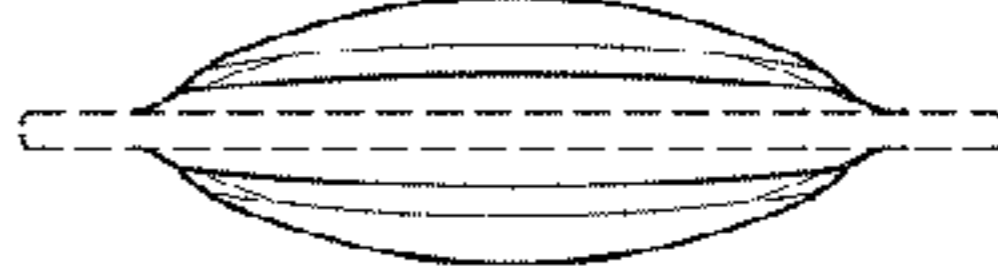


Fig. 5.



Fig. 4.

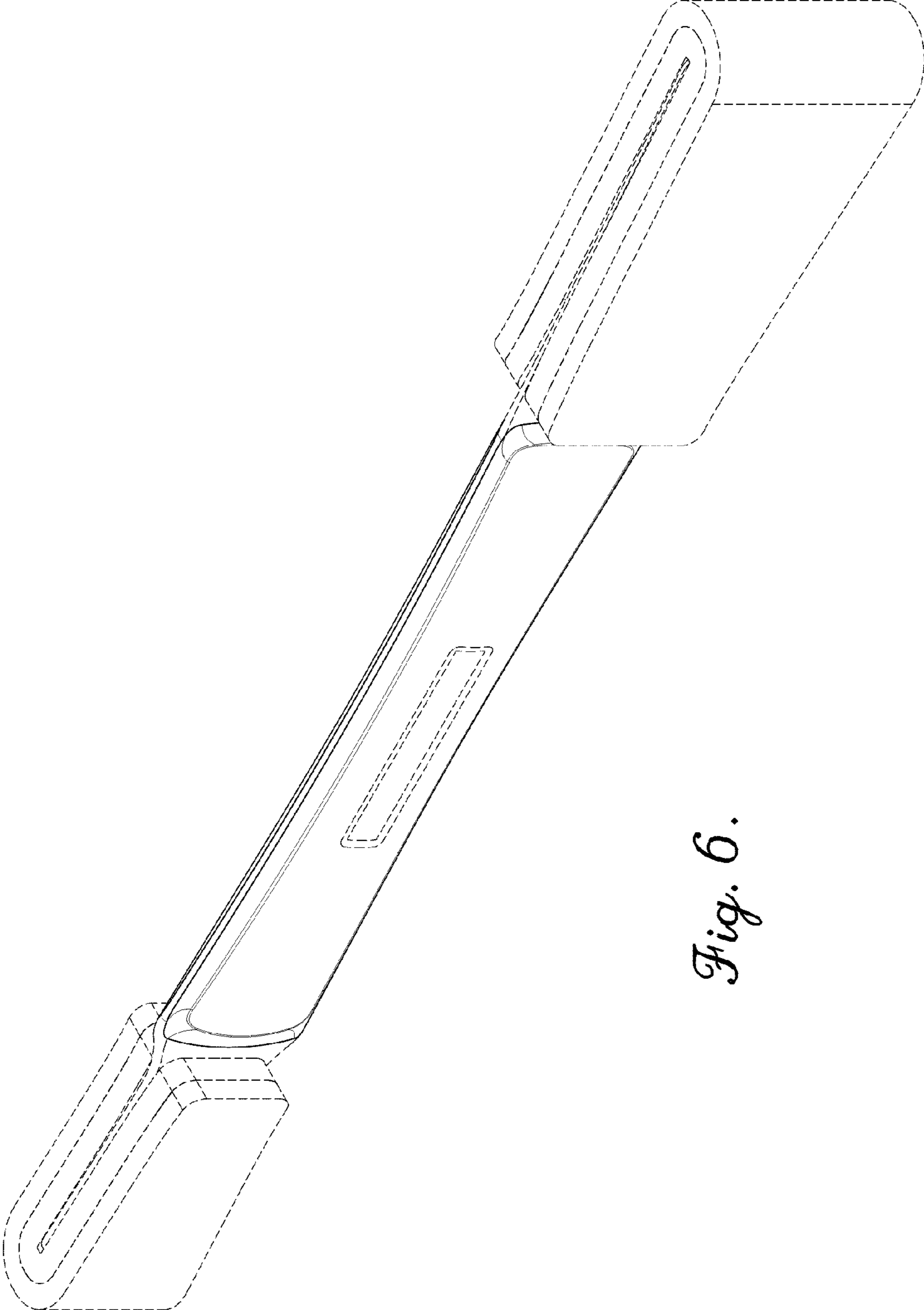


Fig. 6.

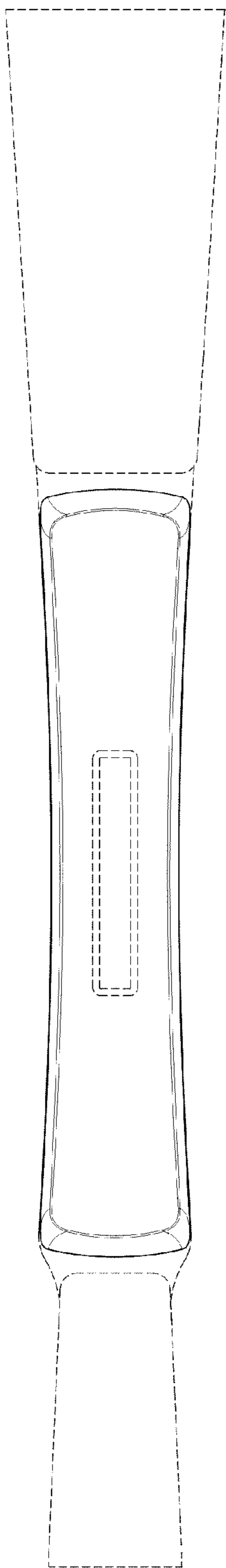


Fig. 7.

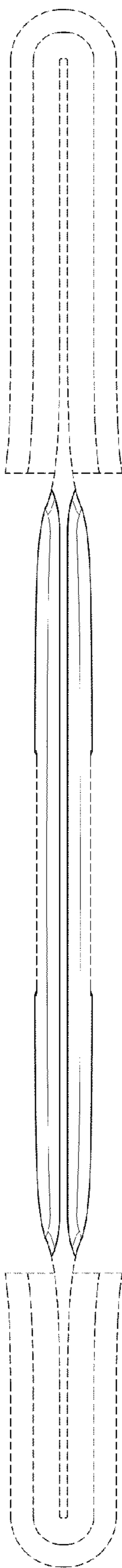


Fig. 8.



Fig. 9.

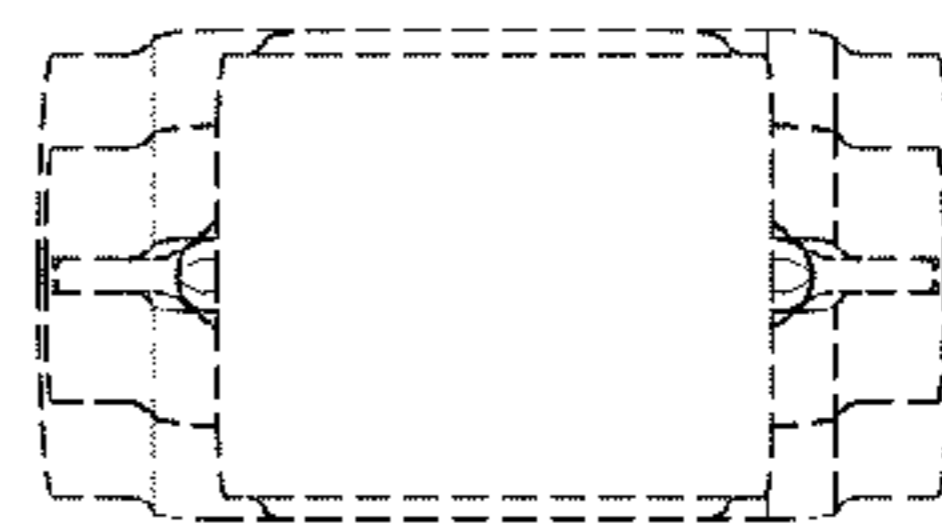


Fig. 10.