



US00D654212S

(12) **United States Design Patent**
Blum et al.

(10) **Patent No.:** **US D654,212 S**
(45) **Date of Patent:** **** Feb. 14, 2012**

(54) **OLED LUMINAIRE**
(75) Inventors: **Darren Blum**, San Mateo, CA (US);
Peter Y. Y. Ngai, Alamo, CA (US);
Michael Trung Tran, Oakland, CA (US)
(73) Assignee: **ABL IP Holding, LLC**, Conyers, GA
(US)

6,565,231 B1 5/2003 Cok
D548,872 S 8/2007 Dubbeldam et al.
D565,778 S * 4/2008 Pedersen D26/84
D569,539 S * 5/2008 Behar et al. D26/63
D575,892 S * 8/2008 Chandler D26/84
D581,574 S * 11/2008 Cercone D26/77
D585,153 S * 1/2009 Maxik et al. D26/85
D589,640 S * 3/2009 Janssen D26/90
D595,447 S * 6/2009 Purcell D26/85

(Continued)

(**) Term: **14 Years**

Primary Examiner — Kevin Rudzinski

(21) Appl. No.: **29/391,205**

(74) *Attorney, Agent, or Firm* — Beeson Skinner Beverly, LLP

(22) Filed: **May 4, 2011**

(57) **CLAIM**

(51) **LOC (9) Cl.** **26-99**

The ornamental design for an OLED luminaire, as shown and described.

(52) **U.S. Cl.** **D26/118**

DESCRIPTION

(58) **Field of Classification Search** D26/81,
D26/85, 86, 68, 76, 72, 118, 120, 138, 155,
D26/113, 121, 122, 124, 128, 130, 142, 84,
D26/3, 80, 24, 2, 65, 63, 60, 62, 70, 71, 87,
D26/74, 137, 61, 152, 153, 154, 141, 145,
D26/82, 83, 93, 134; 362/407, 368, 92, 555,
362/545, 413, 367, 102, 147, 365, 366, 364,
362/371, 327, 405; 165/80.3, 104.33, 104.21;
D13/178, 180, 133, 146, 136, 134; 248/303;
D8/370, 367, 354; D25/126, 38; D6/549,
D6/524; 439/232, 241, 236, 242

See application file for complete search history.

FIG. 1 is a bottom perspective view of an OLED luminaire showing our new design;
FIG. 2 is a bottom plan view thereof;
FIG. 3 is a left side elevational view thereof, the right side being a mirror image;
FIG. 4 is a top plan view thereof;
FIG. 5 is a rear elevational view thereof; and
FIG. 6 is a front elevational view.
FIG. 7 is a bottom perspective view of an alternate embodiment of an OLED luminaire showing our new design;
FIG. 8 is a bottom plan view thereof;
FIG. 9 is a left side elevational view thereof, the right side being a mirror image;
FIG. 10 is a top plan view thereof;
FIG. 11 is a rear elevational view thereof; and,
FIG. 12 is a front elevational view.

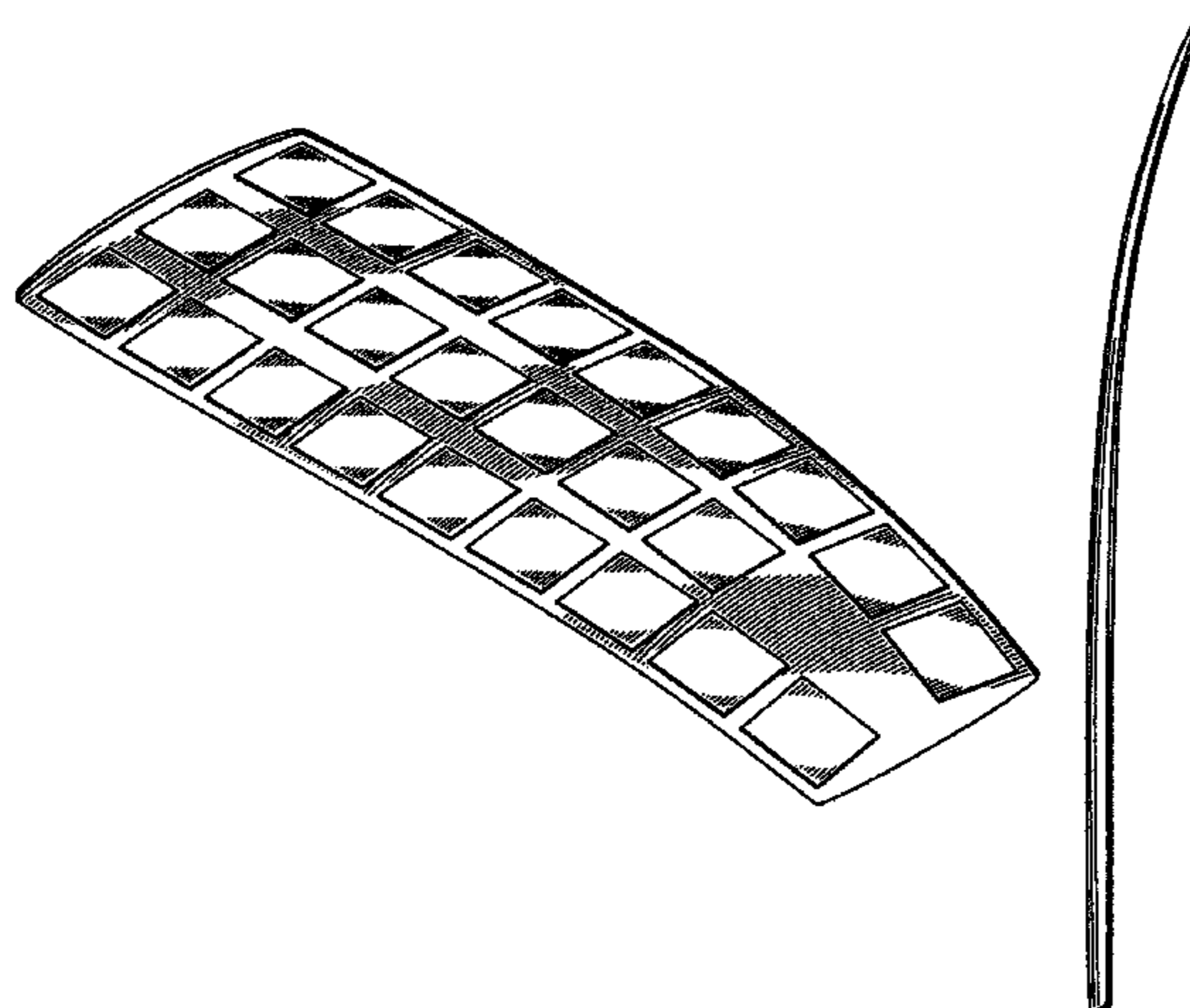
(56) **References Cited**

U.S. PATENT DOCUMENTS

53,152 A 4/1919 Irwin
D87,964 S 7/1932 Howell
D94,669 S 2/1935 Drake
2,770,717 A * 11/1956 Schwartz et al. 362/222
D185,976 S 8/1959 Meyer
D203,060 S * 11/1965 Schaefer D26/76
D205,004 S 6/1966 Puszka
D322,142 S 12/1991 Gismondi
D325,998 S 5/1992 Shaw
D339,654 S 9/1993 Chan
D362,081 S 9/1995 Bilbrey
D403,458 S * 12/1998 Walz D26/85
D419,258 S * 1/2000 Pfister D26/87
D454,971 S * 3/2002 Crosby D26/85

The term "OLED" refers to an organic light-emitting diode. The characteristic features of the design resides in the overall shape of the OLED luminaire and a pattern of OLED panels on the bottom of the luminaire. The body of the OLED luminaire can be transparent, translucent or opaque, or different portions of the OLED luminaire body can be transparent, translucent or opaque, while other portions have a different transparent, translucent or opaque characteristic.

1 Claim, 6 Drawing Sheets



US D654,212 S

Page 2

U.S. PATENT DOCUMENTS

D600,399 S	9/2009	Sonobe	
D608,040 S *	1/2010	Guercio	D26/71
D608,935 S *	1/2010	Pedersen	D26/85
D609,387 S *	2/2010	Compton	D26/85
D609,843 S	2/2010	Ngai et al.	
D610,297 S	2/2010	Ngai et al.	
D610,300 S	2/2010	Ngai et al.	
D618,839 S	6/2010	Ngai et al.	
D618,840 S	6/2010	Ngai et al.	
D623,339 S *	9/2010	Schlabach	D26/85
D623,794 S	9/2010	Ngai et al.	
D626,271 S *	10/2010	Verelst	D26/85
D626,274 S *	10/2010	Verelst	D26/85
D626,275 S *	10/2010	Sabernig	D26/85
D631,601 S *	1/2011	Lodhie	D26/122
D634,471 S *	3/2011	Hsieh	D26/118
D637,754 S *	5/2011	Baker et al.	D26/118

* cited by examiner

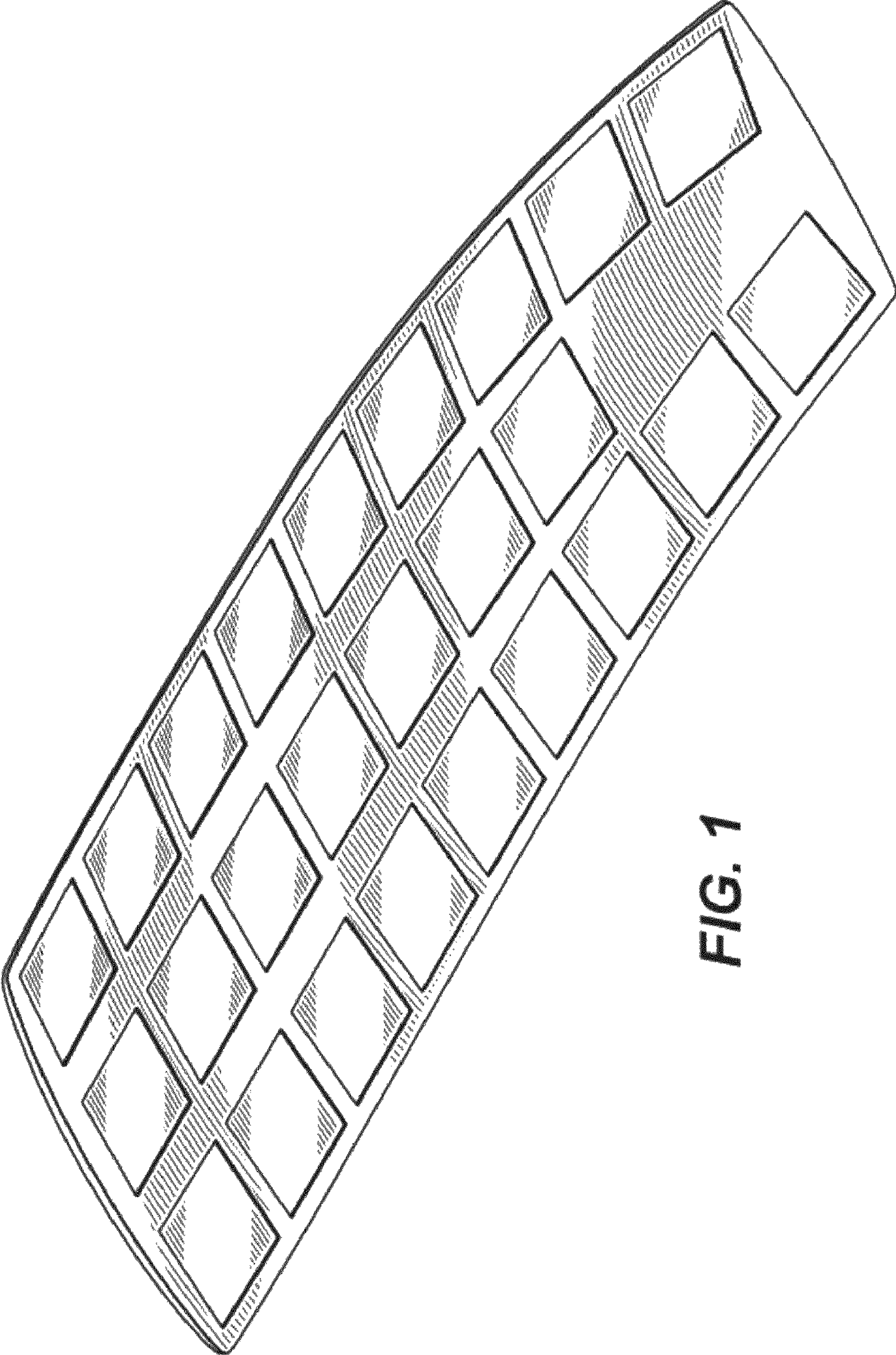


FIG. 1

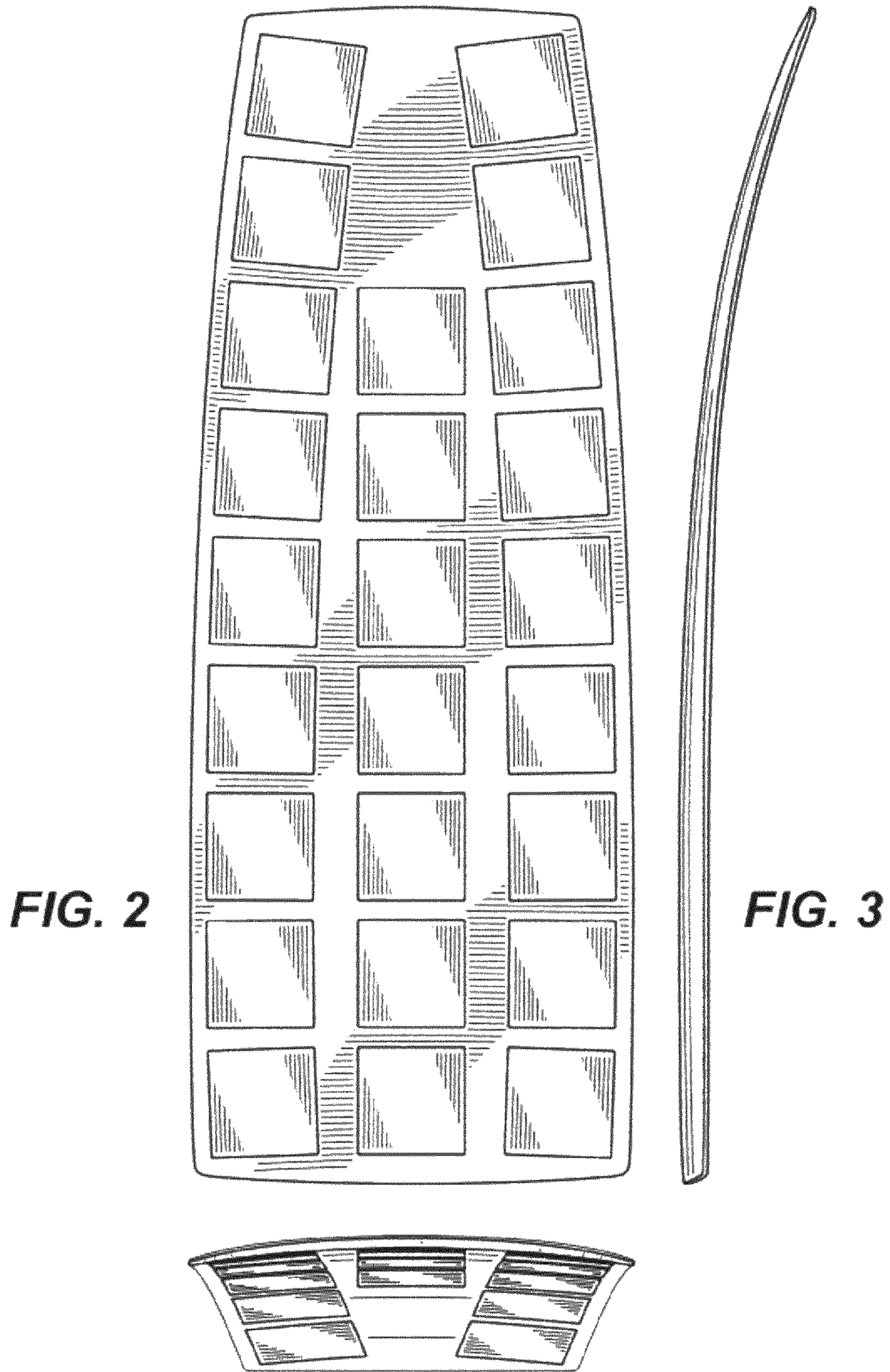


FIG. 2

FIG. 3

FIG. 5

FIG. 4

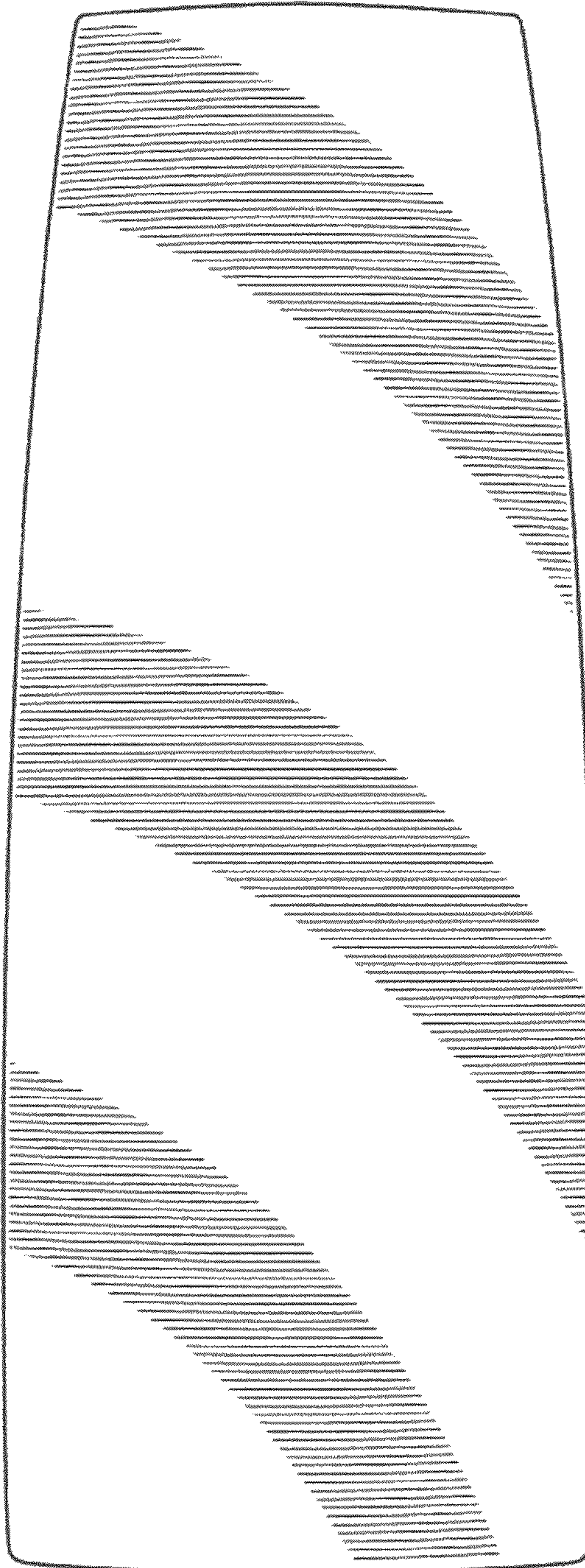
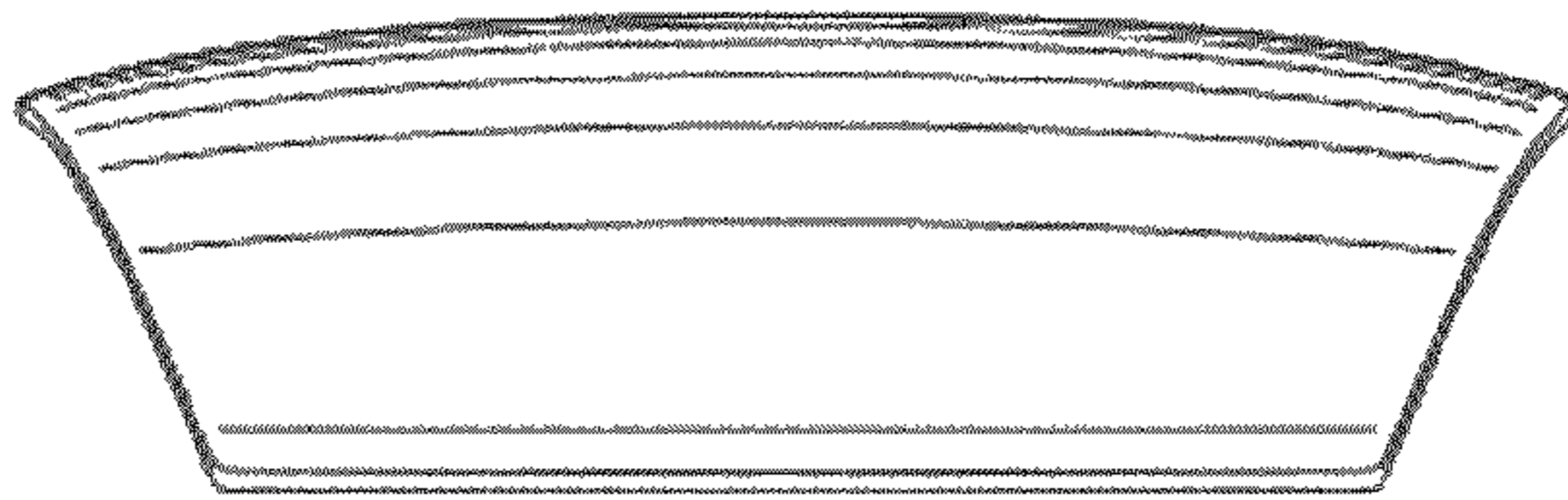


FIG. 6



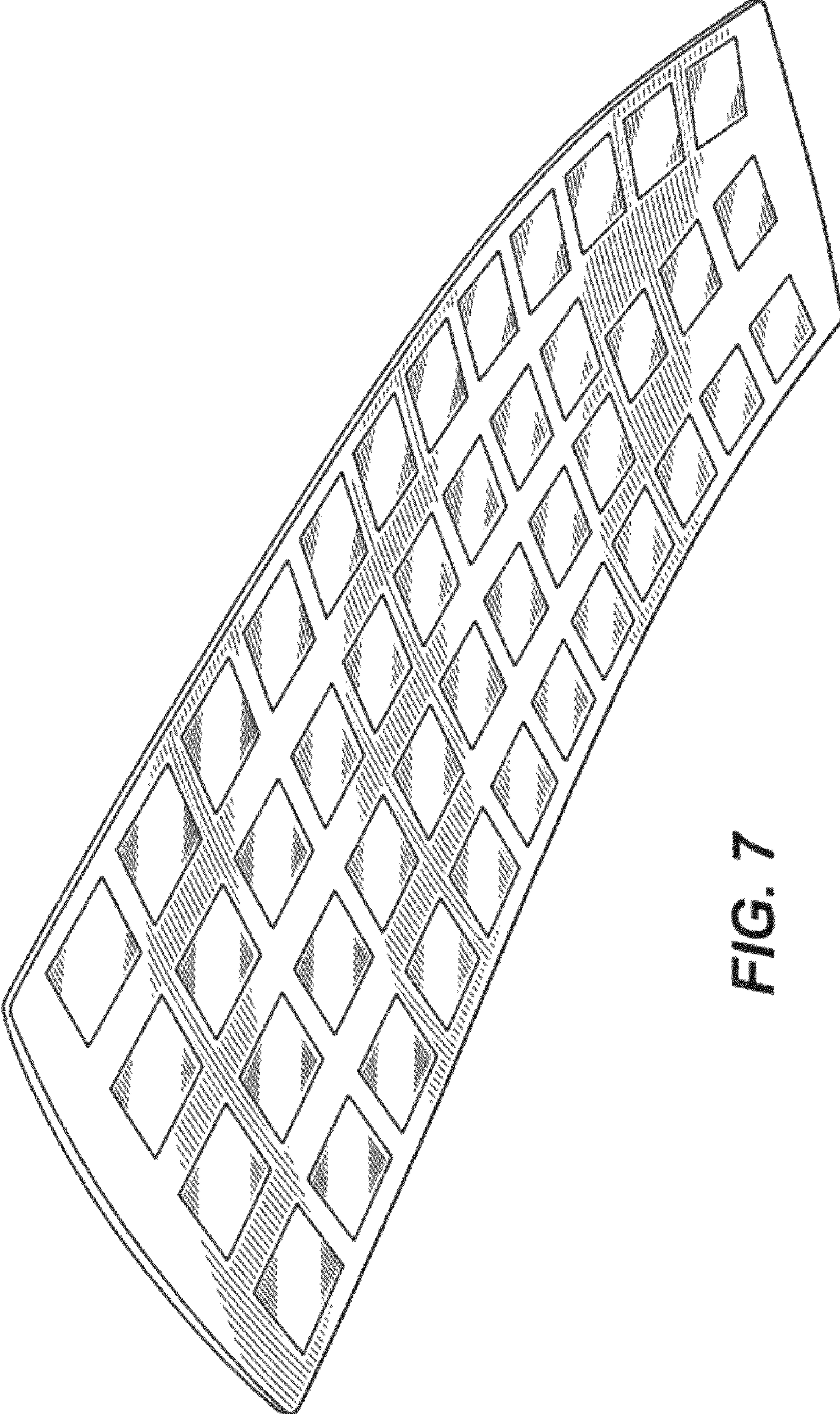


FIG. 7

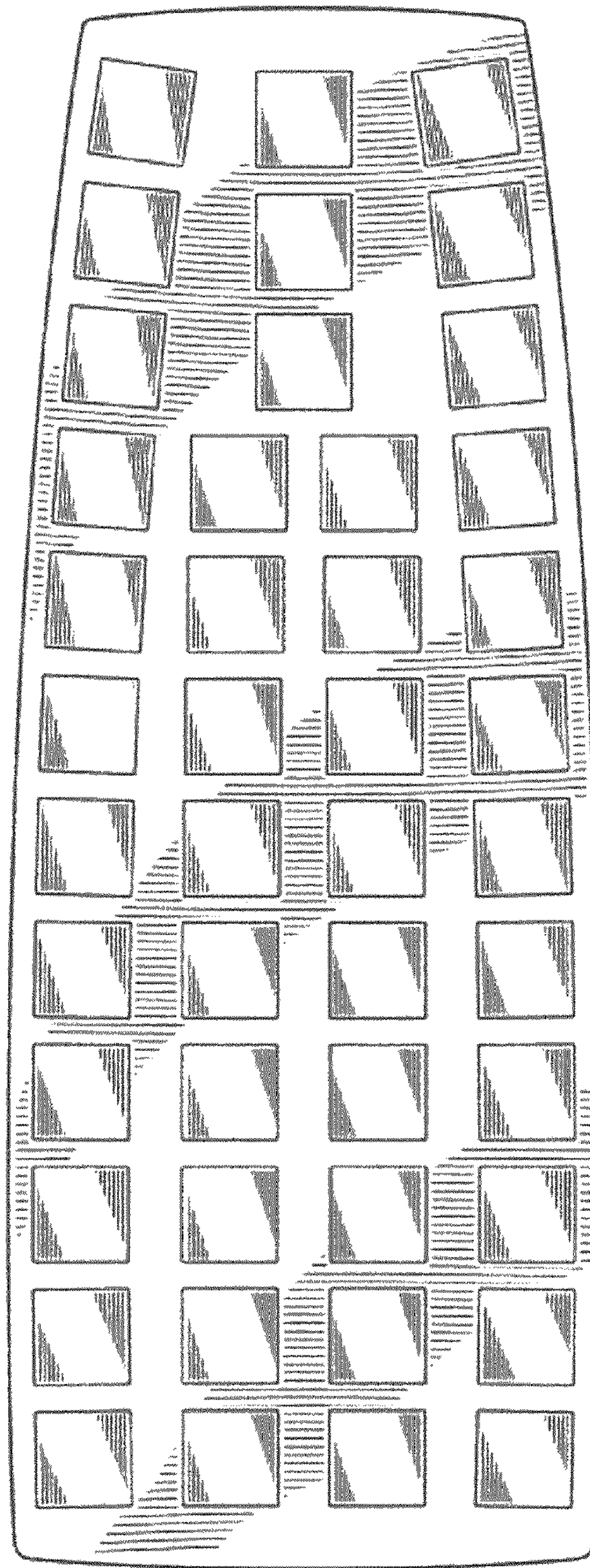


FIG. 8

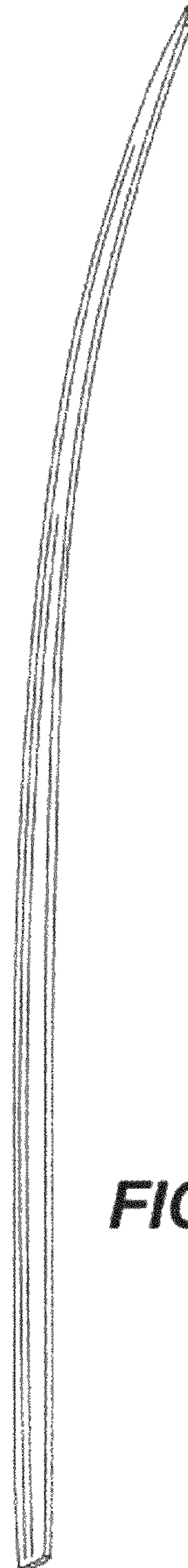


FIG. 9



FIG. 11

FIG. 10

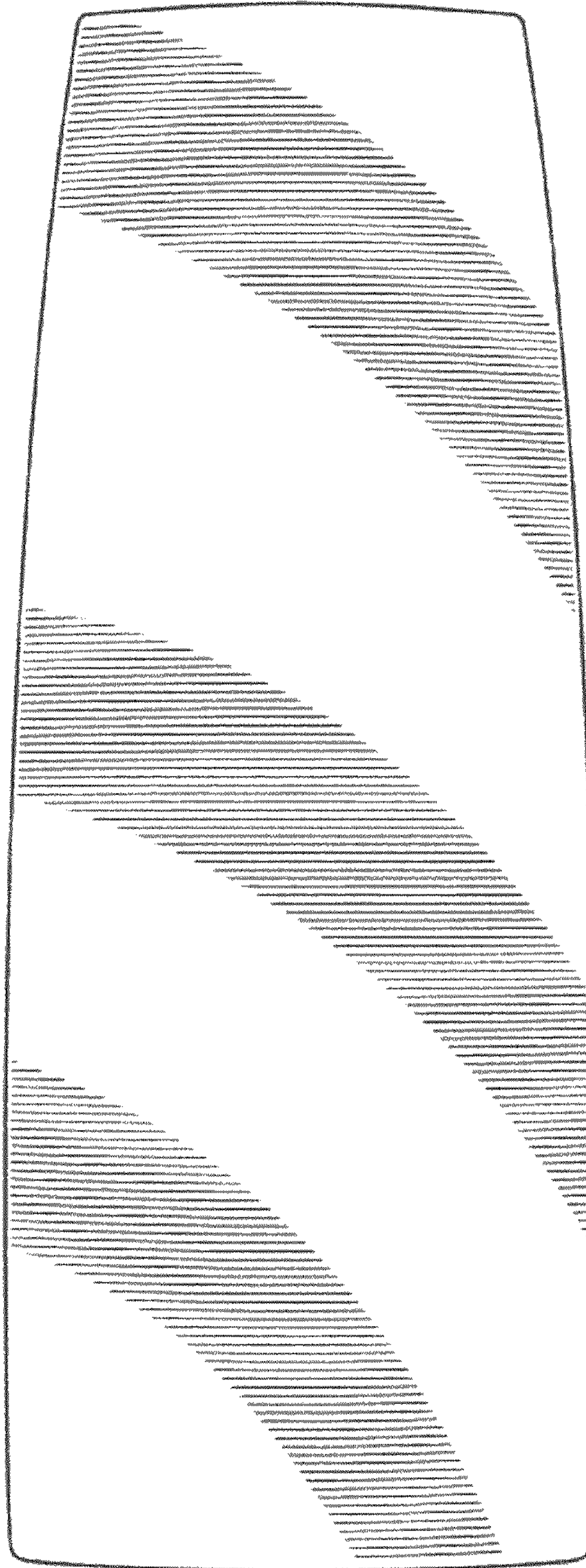


FIG. 12

