



US00D654211S

(12) **United States Design Patent**
Melzner et al.

(10) **Patent No.:** **US D654,211 S**
(45) **Date of Patent:** **** Feb. 14, 2012**

(54) **MODULAR LED PANEL**

(75) Inventors: **Erwin Melzner**, Frasdorf (DE); **Michael Jonischkeit**, Alxing (DE); **Kerstin Schlegel**, Stephanskirchen (DE); **Dennis Jackstien**, Stephanskirchen (DE)

(73) Assignee: **Arnold & Richter Cine Technik GmbH & Co. Betriebs KB**, Munich (DE)

(**) Term: **14 Years**

(21) Appl. No.: **29/325,719**

(22) Filed: **Oct. 3, 2008**

(30) **Foreign Application Priority Data**

Apr. 4, 2008 (DE) 40 2008 001 754

(51) **LOC (9) Cl.** **26-99**

(52) **U.S. Cl.** **D26/118**

(58) **Field of Classification Search** D26/138,
D26/63, 128, 124, 24, 87, 145, 155, 140,
D26/85, 113, 142, 118, 64, 2, 3, 68, 71, 67,
D26/76, 65, 120; 362/219, 249.01, 249.02,
362/249.03, 249.04, 249.05, 249.06, 249.07,
362/249.08, 249.09, 249.1, 249.11, 580,
362/373, 290, 362, 183, 240, 294; D7/532,
D7/530, 529, 523, 531, 587; D11/152, 153,
D11/146; D16/134, 135, 101; 439/110,
439/698, 417, 320; D13/134, 179, 180

See application file for complete search history.

(56) **References Cited**

U.S. PATENT DOCUMENTS

D243,035 S * 1/1977 Kohlenstein D26/24
5,243,500 A * 9/1993 Stephenson et al. 362/580
5,390,093 A * 2/1995 Himeno et al. 362/249.06
D359,374 S * 6/1995 Weinstock D26/80
5,726,864 A * 3/1998 Copeland et al. 361/800
D397,465 S * 8/1998 Youri D26/38
5,806,972 A * 9/1998 Kaiser et al. 362/290

6,017,241 A * 1/2000 Komai 439/419
D433,520 S * 11/2000 Wang D26/24
D441,479 S * 5/2001 McCormick et al. D26/72
6,394,628 B1 * 5/2002 Wang 362/375
D482,662 S * 11/2003 Foster et al. D13/162
6,758,573 B1 * 7/2004 Thomas et al. 362/133
6,924,744 B2 * 8/2005 Bohlander et al. 340/815.45
D532,530 S * 11/2006 Shuman et al. D25/163
D536,463 S * 2/2007 Chiang D26/24
7,236,366 B2 * 6/2007 Chen 361/709
D574,090 S * 7/2008 Takada et al. D26/1
7,458,705 B2 * 12/2008 Chiba et al. 362/362

(Continued)

FOREIGN PATENT DOCUMENTS

DE 20 2004 016 637 U1 2/2005

(Continued)

OTHER PUBLICATIONS

Patent Application No. DE 10 2007 044 567, filed Sep. 7, 2007, 70 sheets.

Patent Application No. DE 10 2007 044 566, filed Sep. 7, 2007, 64 sheets.

Primary Examiner — Kevin Rudzinski

(74) *Attorney, Agent, or Firm* — Christie, Parker & Hale, LLP

(57) **CLAIM**

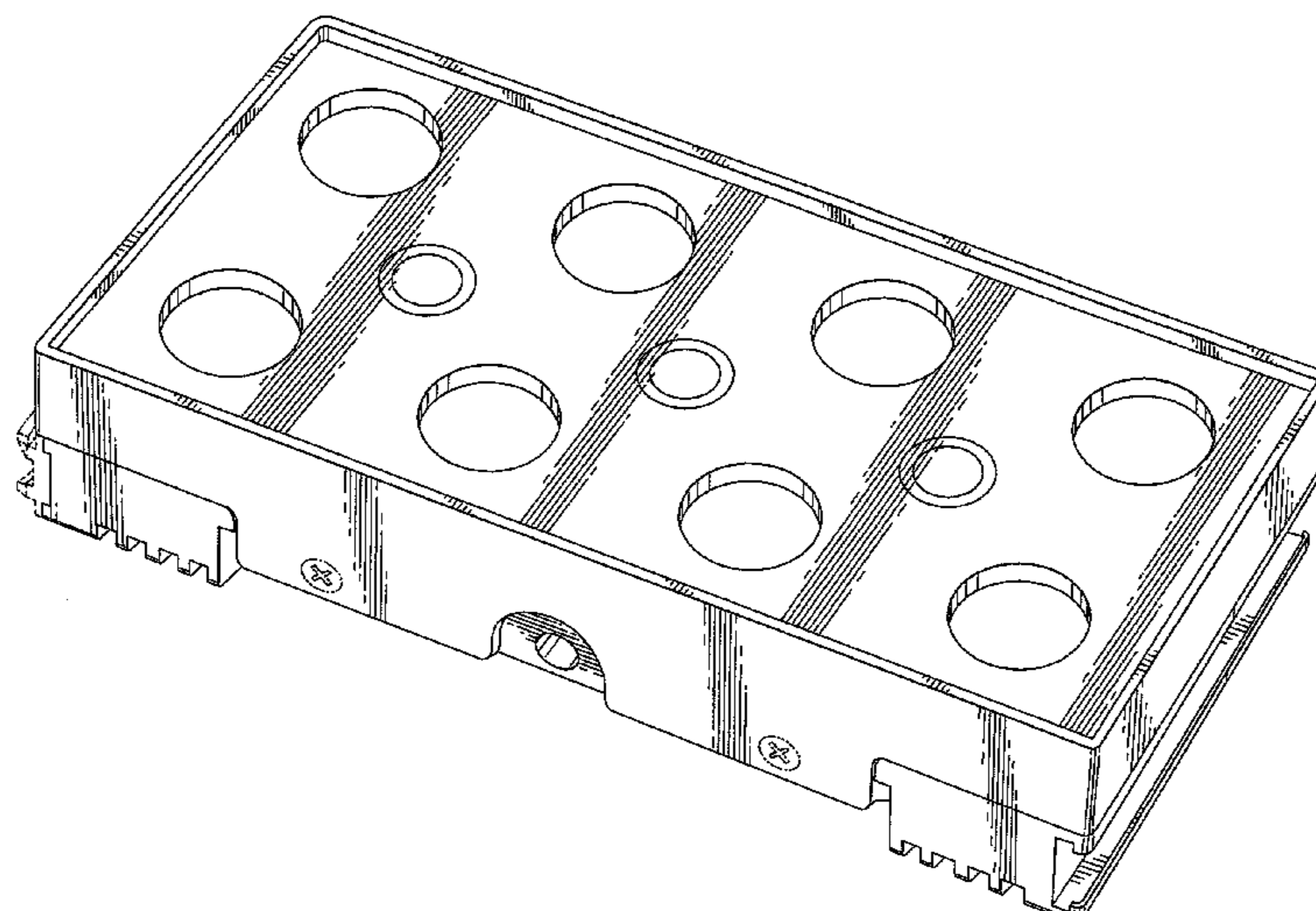
The ornamental design for a modular LED panel, as shown and described.

DESCRIPTION

FIG. 1 is a top perspective view of the modular LED panel;
FIG. 2 is a top plan view thereof;
FIG. 3 is front view thereof;
FIG. 4 is a bottom view thereof;
FIG. 5 is a left side view thereof;
FIG. 6 is a right side view thereof; and,
FIG. 7 is a back view thereof.

Features in broken lines are not part of the claimed design.

1 Claim, 7 Drawing Sheets



US D654,211 S

Page 2

U.S. PATENT DOCUMENTS

7,470,055	B2 *	12/2008	Hacker et al.	362/640
D595,875	S *	7/2009	Irvine	D26/24
7,594,740	B2 *	9/2009	Popovich et al.	362/373
D604,870	S *	11/2009	Hong	D26/24
D604,871	S *	11/2009	Denton	D26/24
7,677,914	B2 *	3/2010	Nall et al.	439/420

FOREIGN PATENT DOCUMENTS

DE	4 07 04 520.1	10/2007
DE	10 2007 044 566 A1	3/2009
DE	10 2007 044 567 A1	3/2009
EP	0 921 568 A2	6/1999

* cited by examiner

FIG. 1

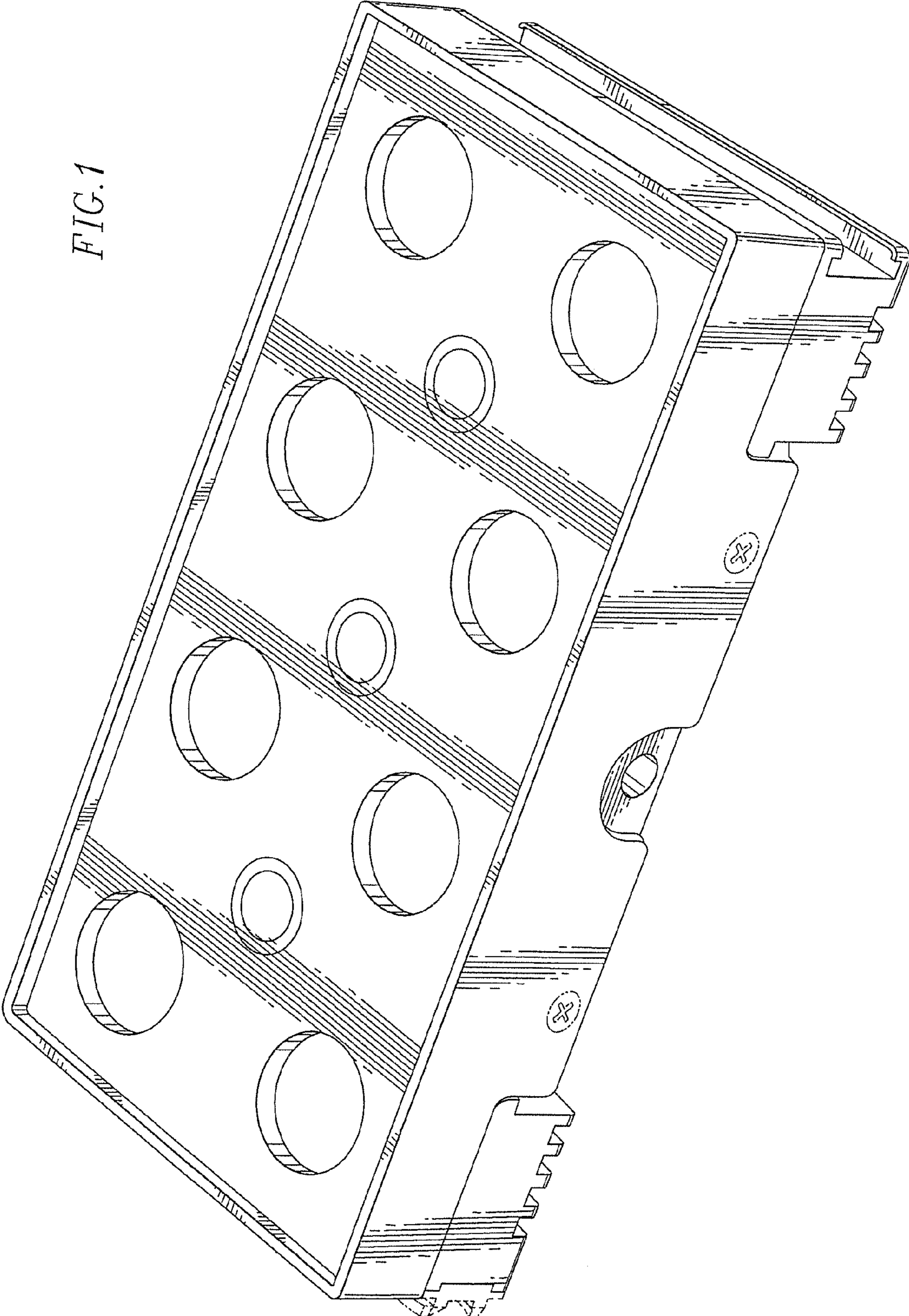


FIG. 2

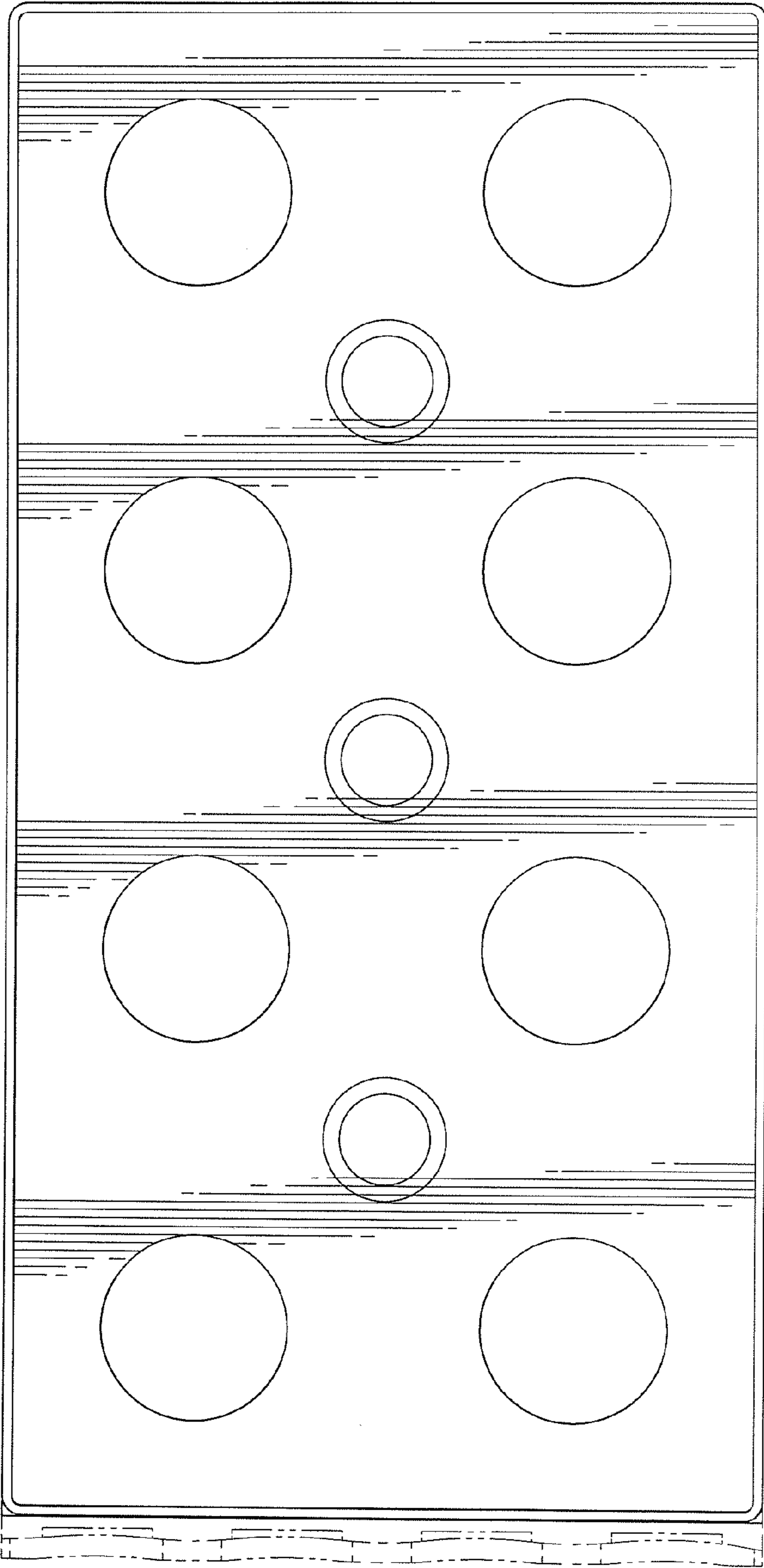


FIG. 3

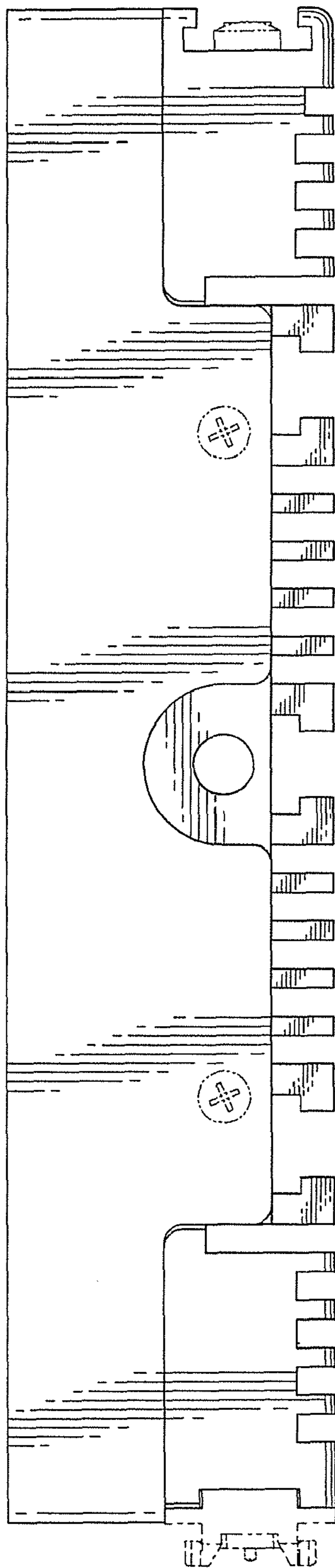


FIG. 4

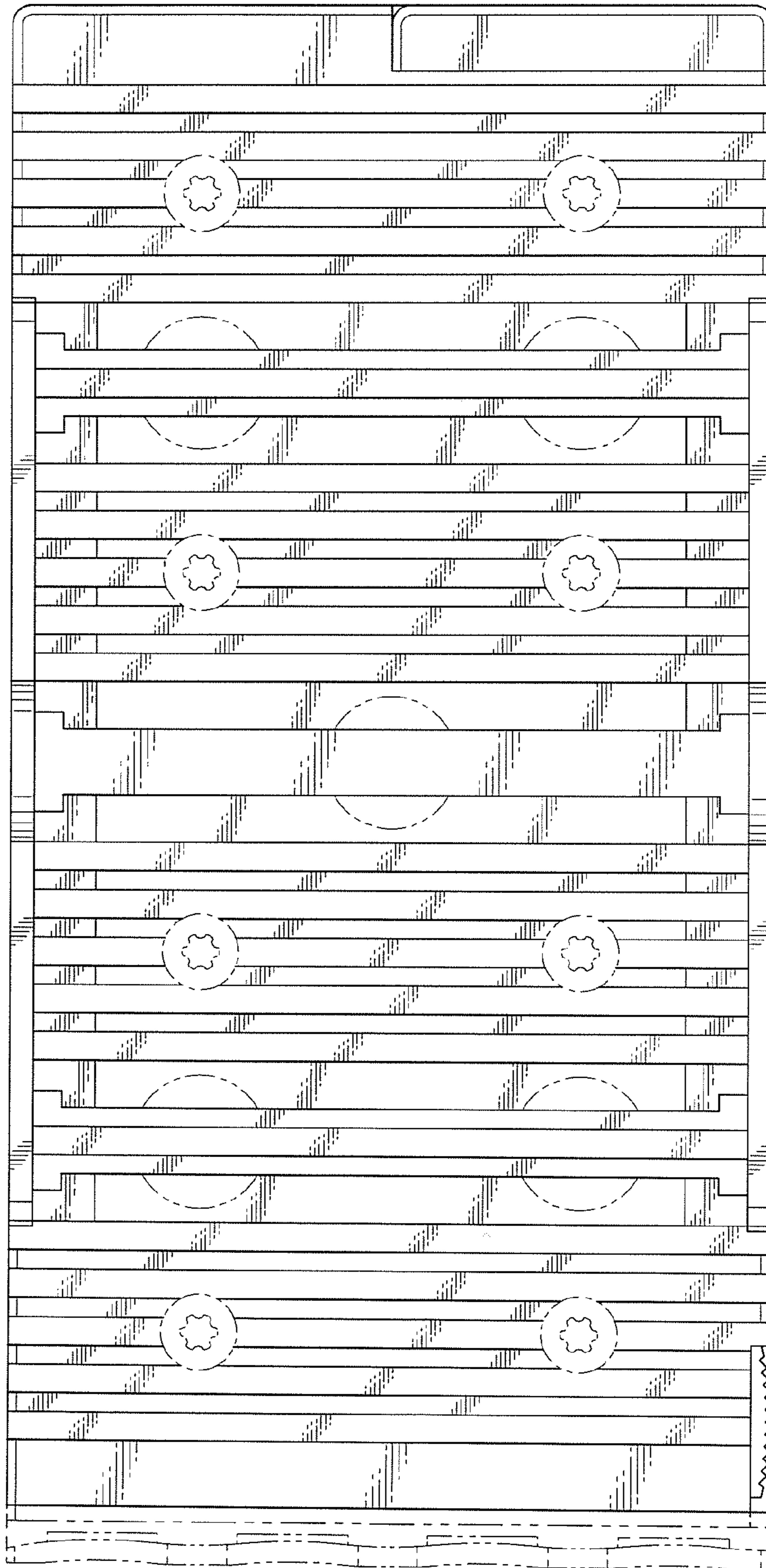


FIG. 5

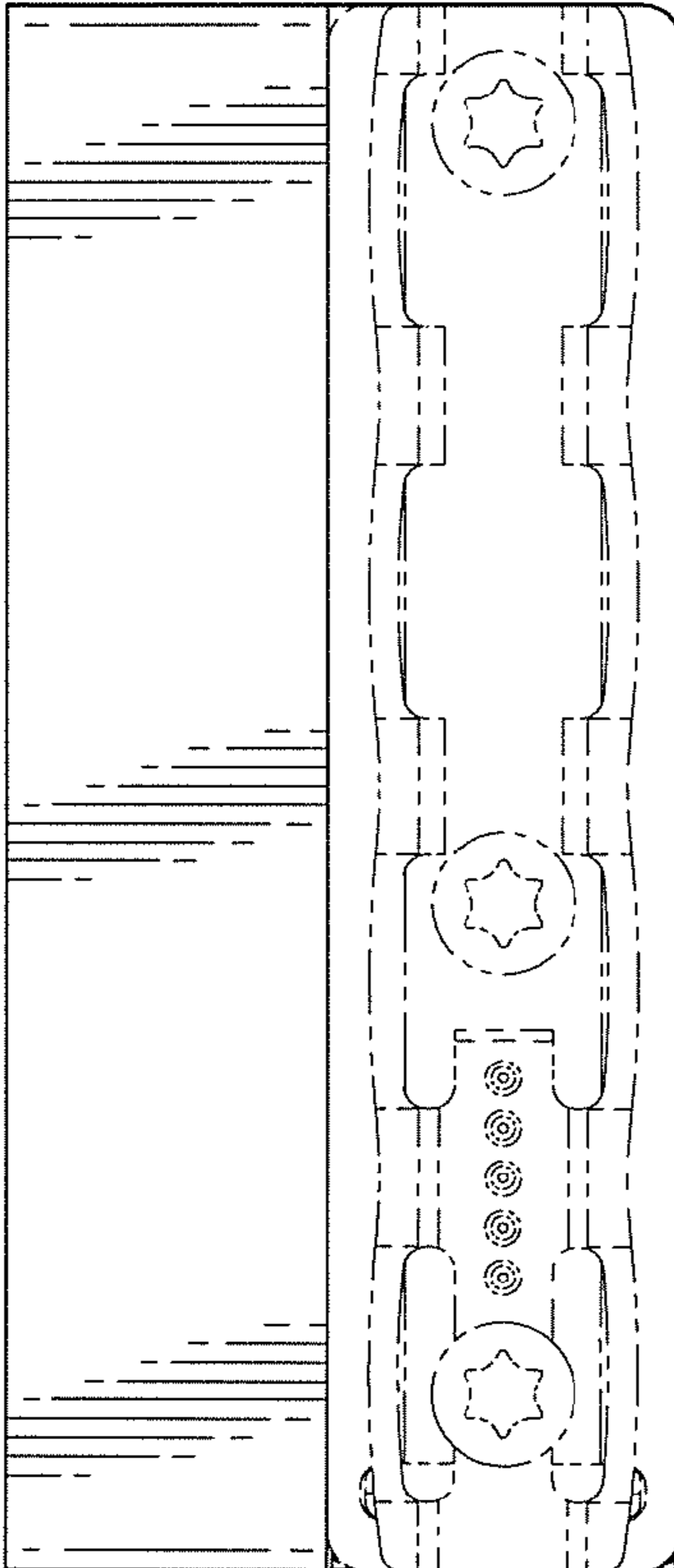


FIG. 6

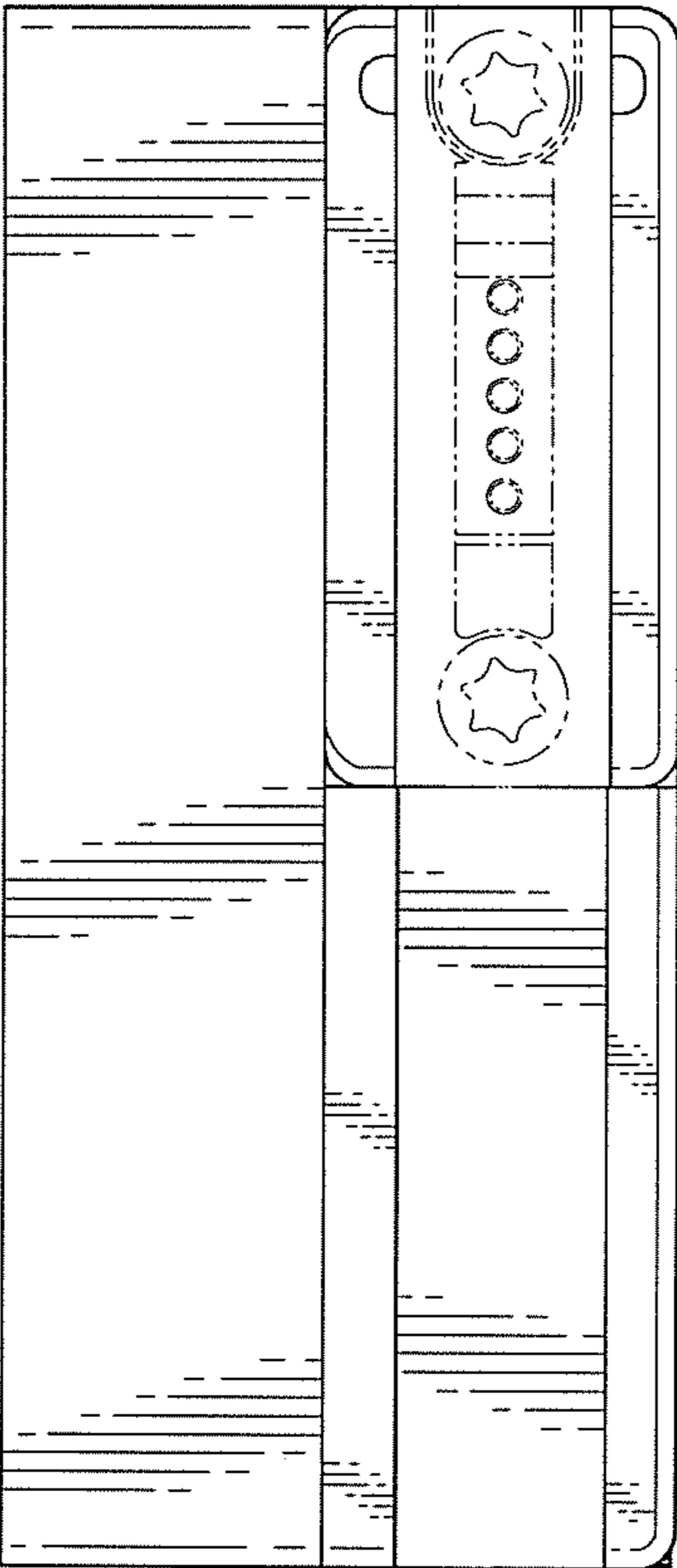


FIG. 7

