



US00D654208S

(12) **United States Design Patent**
Marquardt et al.

(10) **Patent No.:** **US D654,208 S**

(45) **Date of Patent:** **** Feb. 14, 2012**

(54) **LUMINAIRE**

(75) Inventors: **Craig Eugene Marquardt**, Covington, GA (US); **John T. Hickok**, Social Circle, GA (US)

(73) Assignee: **ABL IP Holding LLC**, Conyers, GA (US)

(**) Term: **14 Years**

(21) Appl. No.: **29/385,505**

(22) Filed: **Feb. 15, 2011**

(51) **LOC (9) Cl.** **26-03**

(52) **U.S. Cl.** **D26/85; D26/90**

(58) **Field of Classification Search** D26/75, D26/76, 80, 85-92, 128, 130; 362/147, 404-408, 362/431, 432

See application file for complete search history.

(56) **References Cited**

U.S. PATENT DOCUMENTS

D140,343	S	*	2/1945	Nitardy	D26/76
2,490,191	A	*	12/1949	Baker	362/223
2,715,449	A	*	8/1955	Smith et al.	181/30
D431,876	S	*	10/2000	Lewis	D26/76
D471,308	S	*	3/2003	Gismondi	D26/76
D492,809	S	*	7/2004	Weitgasser	D26/76
D545,477	S	*	6/2007	DeBruyne et al.	D26/76
D567,425	S	*	4/2008	Yates	D26/76
D604,885	S	*	11/2009	Ford et al.	D26/78
D606,229	S	*	12/2009	Johansen et al.	D26/80
D613,897	S	*	4/2010	Thun	D26/88

* cited by examiner

Primary Examiner — Clare E Heflin

(74) *Attorney, Agent, or Firm* — Kilpatrick Townsend & Stockton LLP

(57) **CLAIM**

The ornamental design for a luminaire, as shown and described.

DESCRIPTION

FIG. 1 is a bottom perspective view of an embodiment of a luminaire showing the new design.

FIG. 2 is a left side elevation view of the luminaire of FIG. 1.

FIG. 3 is a right side elevation view of the luminaire of FIG. 1.

FIG. 4 is a top perspective view of the luminaire of FIG. 1.

FIG. 5 is a front elevation view of the luminaire of FIG. 1.

FIG. 6 is a back elevation view of the luminaire of FIG. 1.

FIG. 7 is a top plan view of the luminaire of FIG. 1.

FIG. 8 is a bottom plan view of the luminaire of FIG. 1.

FIG. 9 is a bottom perspective view of another embodiment of a luminaire showing the new design.

FIG. 10 is a left side elevation view of the luminaire of FIG. 9.

FIG. 11 is a right side elevation view of the luminaire of FIG. 9.

FIG. 12 is a top perspective view of the luminaire of FIG. 9.

FIG. 13 is a front elevation view of the luminaire of FIG. 9.

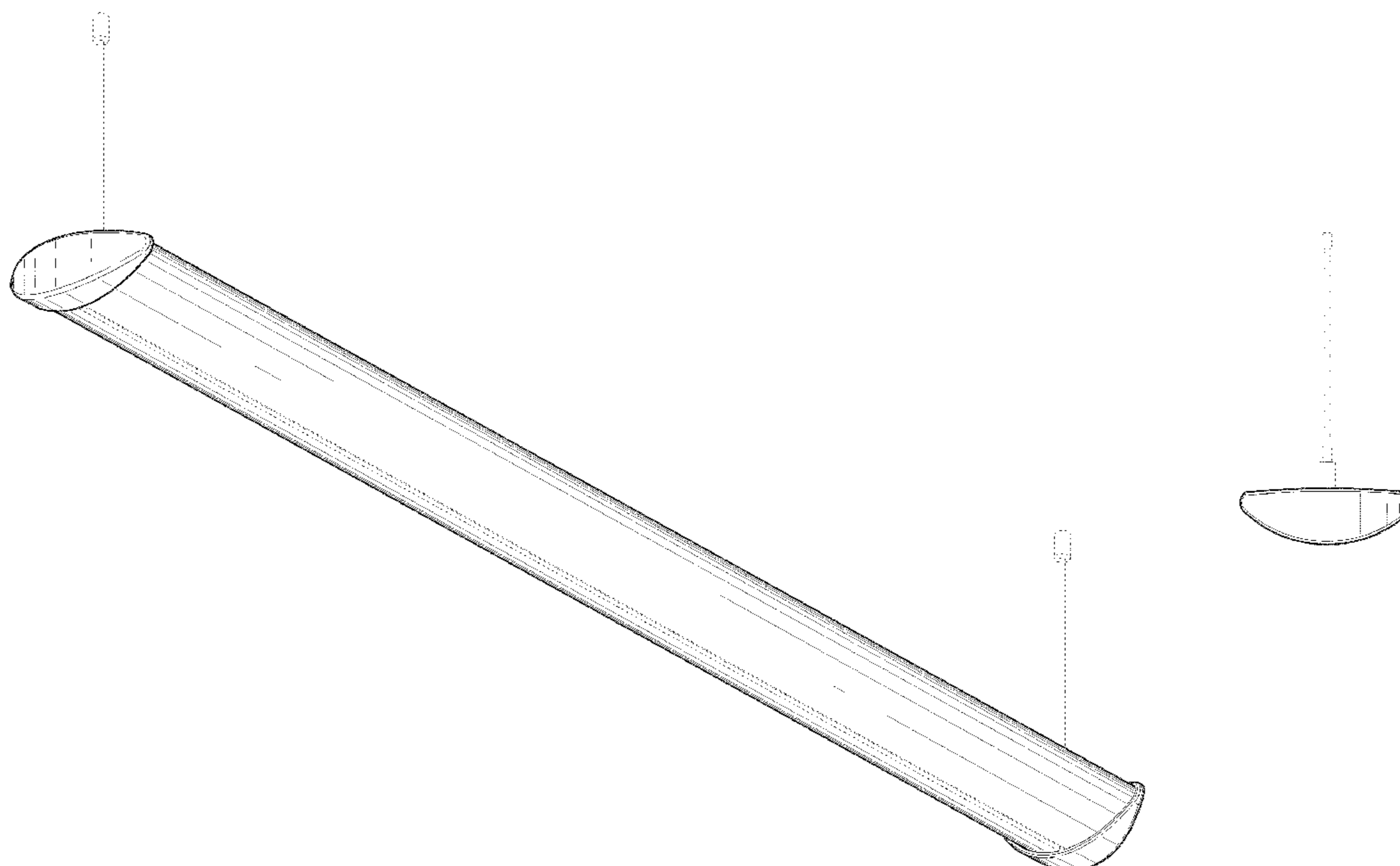
FIG. 14 is a back elevation view of the luminaire of FIG. 9.

FIG. 15 is a top plan view of the luminaire of FIG. 9; and,

FIG. 16 is a bottom plan view of the luminaire of FIG. 9.

Portions or features of the luminaire not shown in the drawings form no part of the claimed design. The broken lines in the drawings form no part of the claimed design.

1 Claim, 8 Drawing Sheets



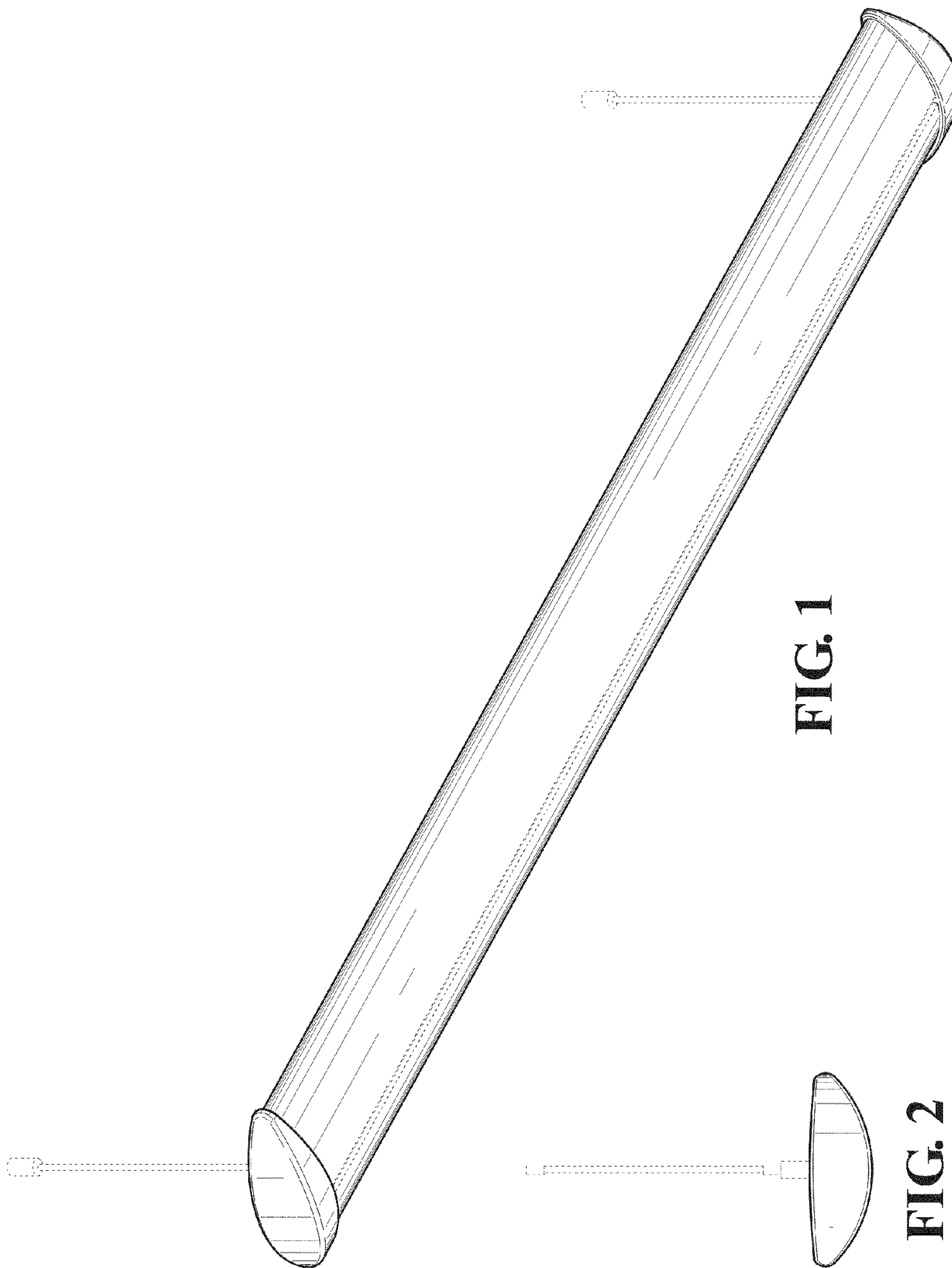
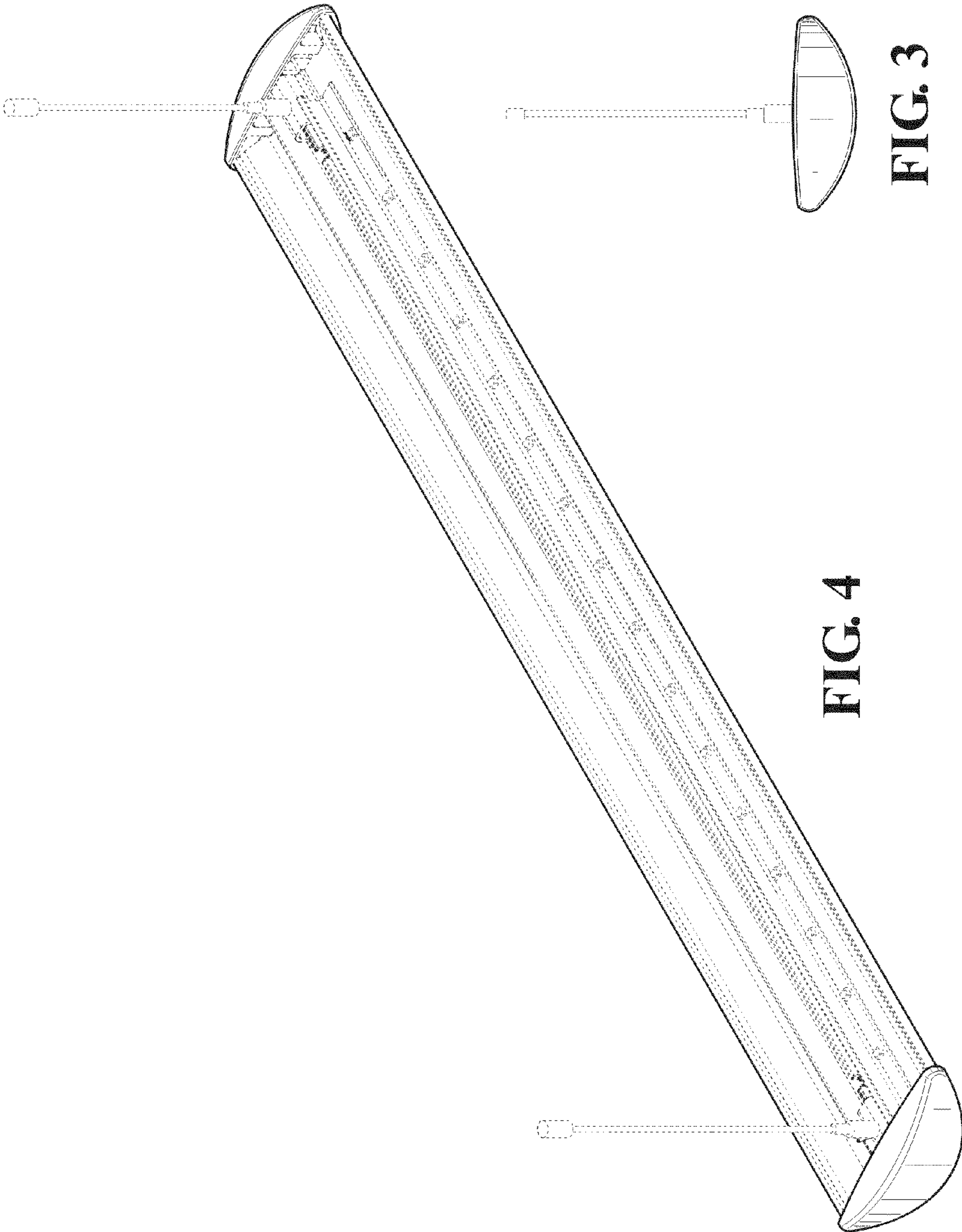


FIG. 1

FIG. 2



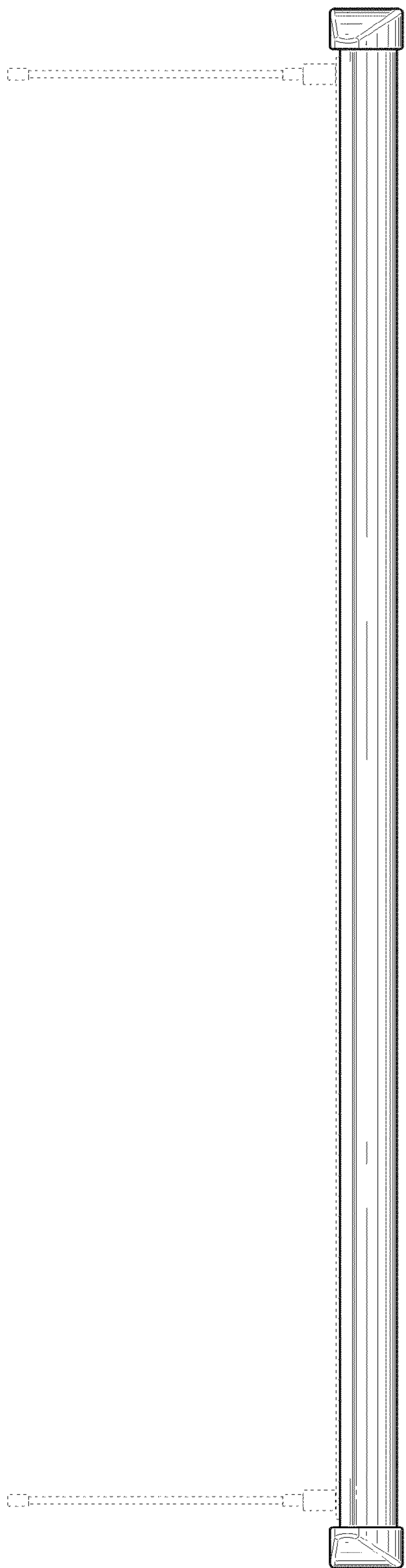


FIG. 5

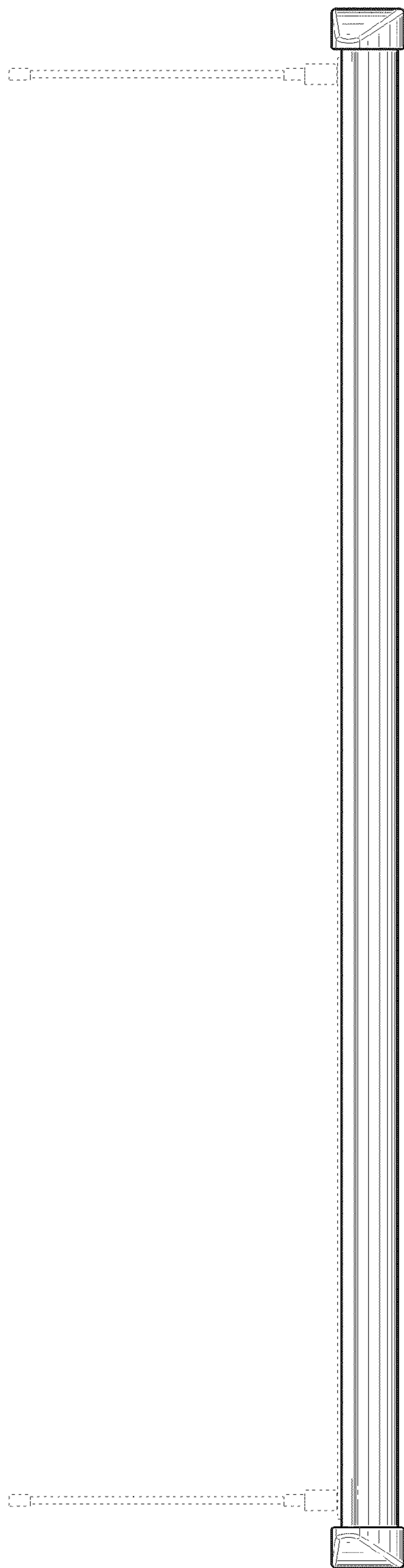


FIG. 6

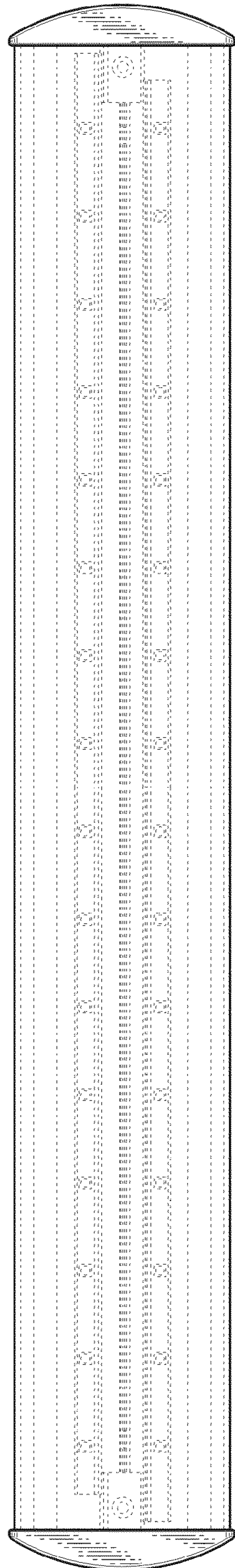


FIG. 7

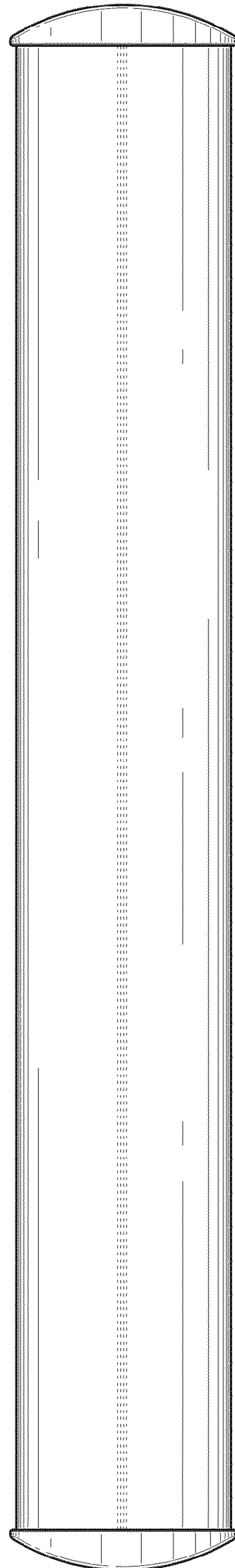


FIG. 8

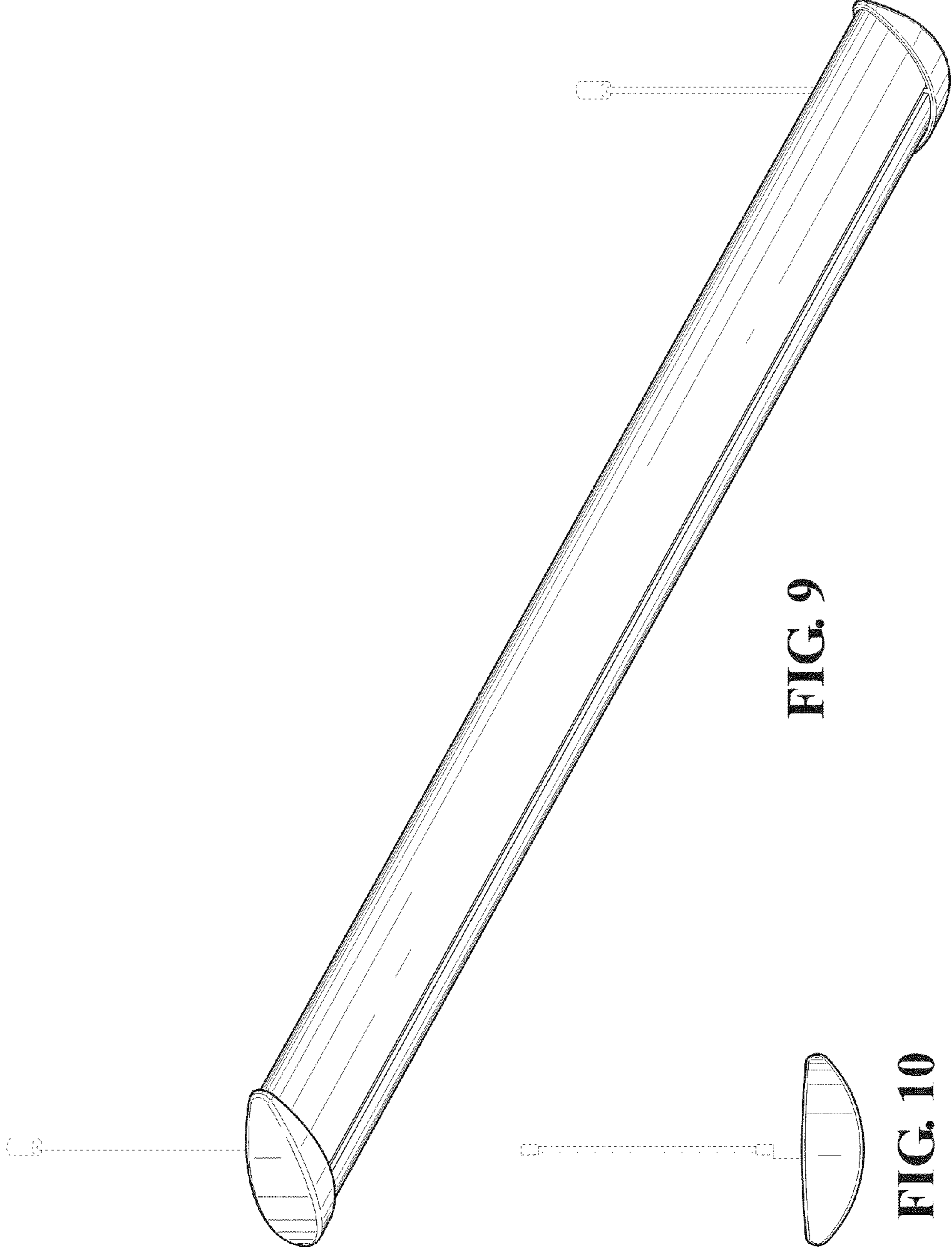


FIG. 9

FIG. 10

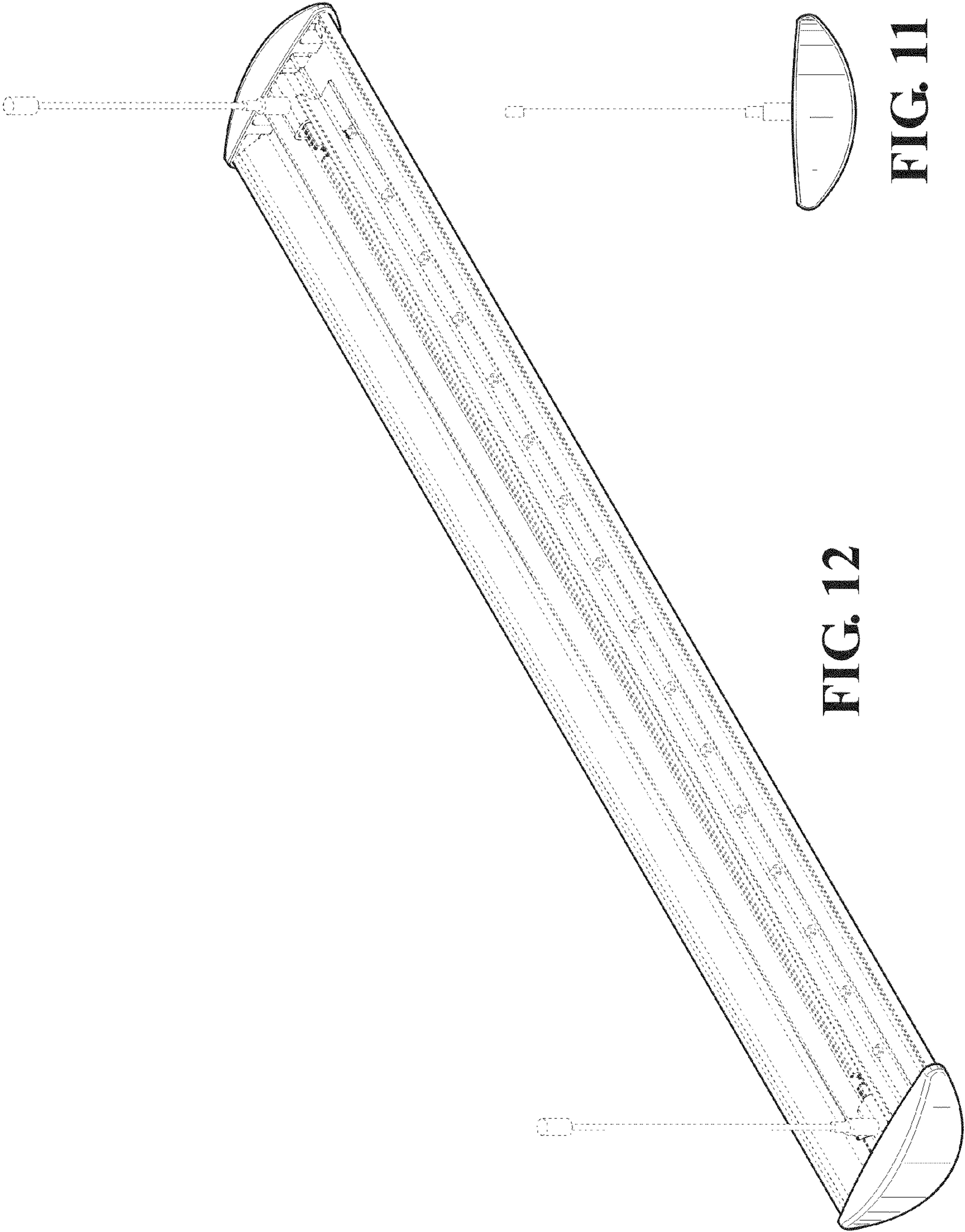


FIG. 12

FIG. 11

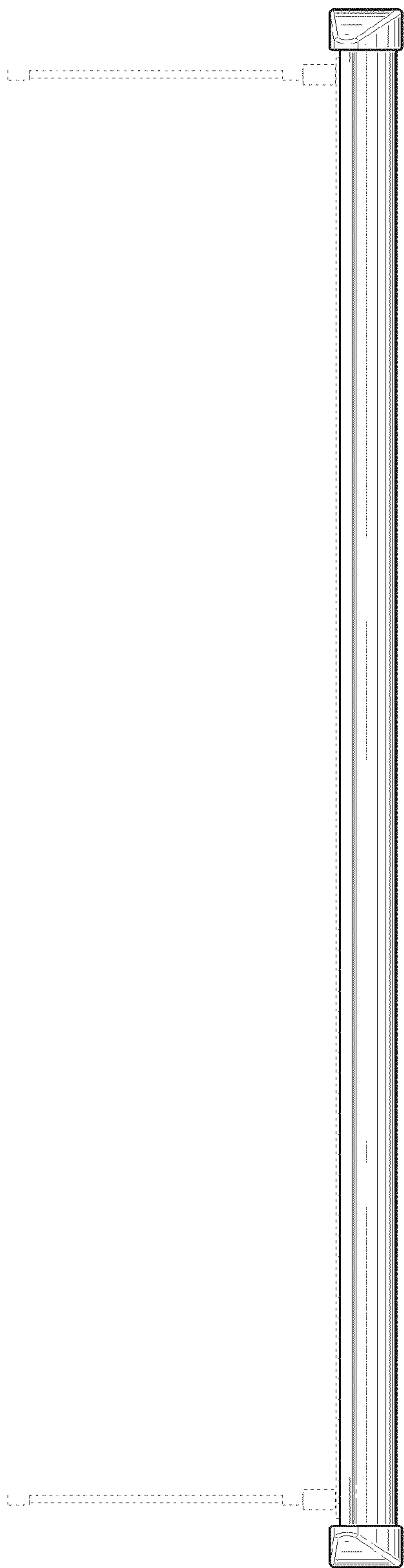


FIG. 13

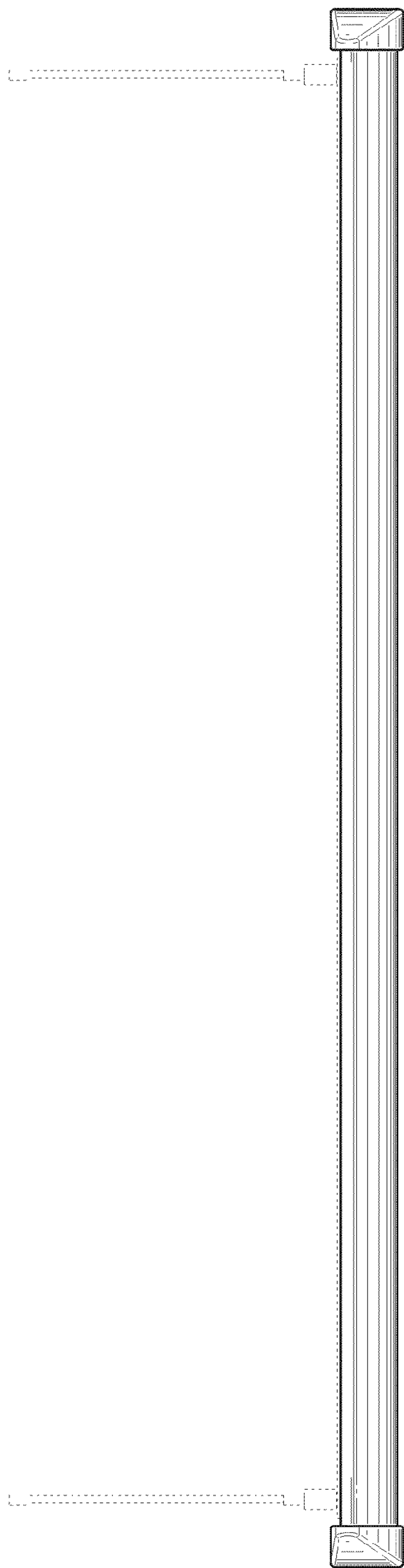


FIG. 14

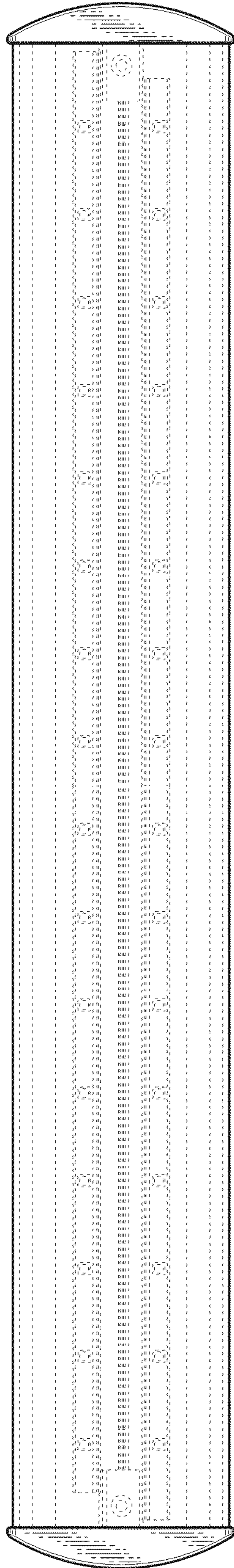


FIG. 15

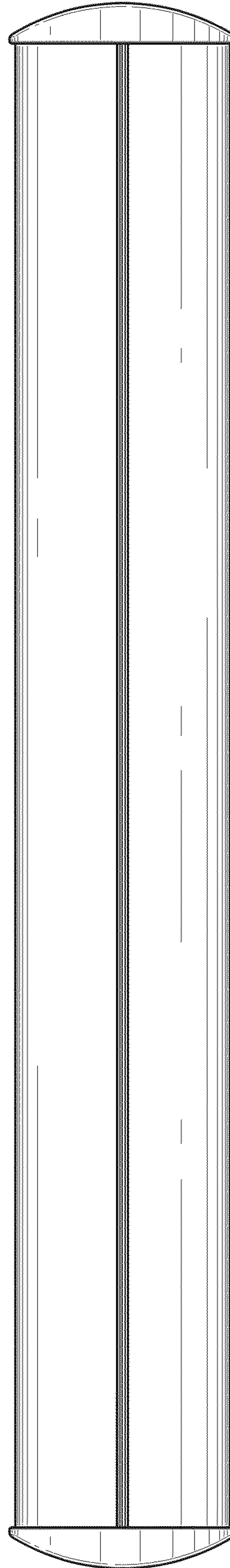


FIG. 16